














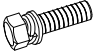
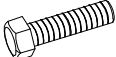





Assembly Instructions

Please read this before you proceed

A		1pc
B		1pc
C		1pc
D		1pc
E		1pc
F		1pc
G		1pc
H		1pc
I		2pcs
J	 M6*15	4pcs




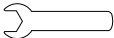
Assembly Instructions

Please read this before you proceed

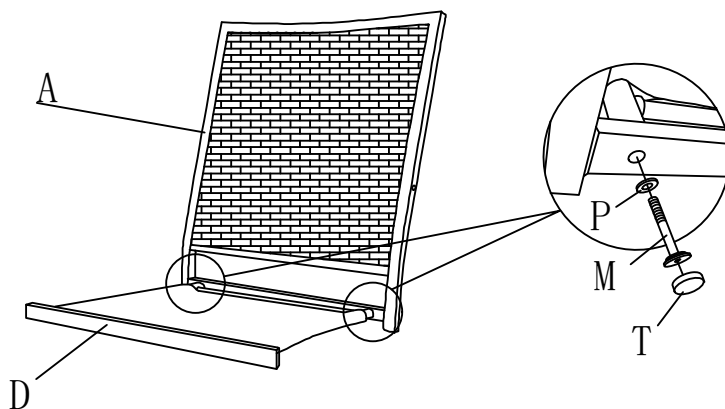
K	 M6*30	2pcs
L	 M6*40	1pc
M	 M6*55	2pcs
N		4pcs
O	 M8*30	4pcs
P	 $\varnothing 12 * \varnothing 6.2 * 1$	6pcs
Q	 $\varnothing 15 * \varnothing 8.2 * 1.5$	12pcs
R		4pcs
S		8pcs
T		7pcs

Assembly Instructions

Please read this before you proceed

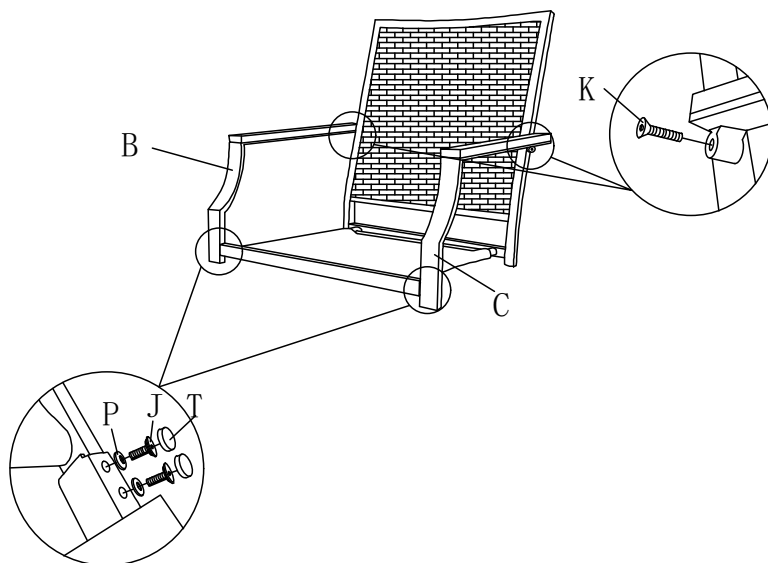
U		1pc
V		1pc
W		1pc
X		2pcs

① Don't fasten tight, keep all bolts loose.

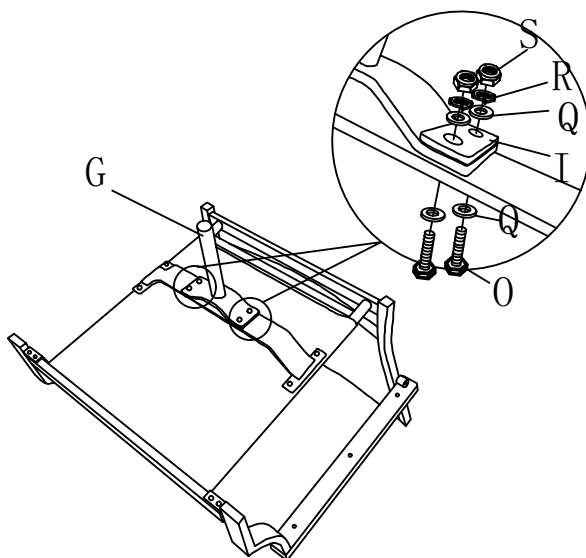


Assembly Instructions

②

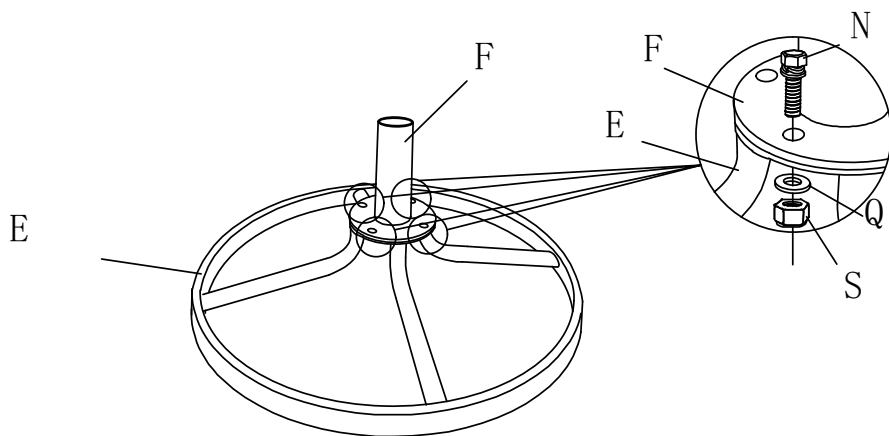


③

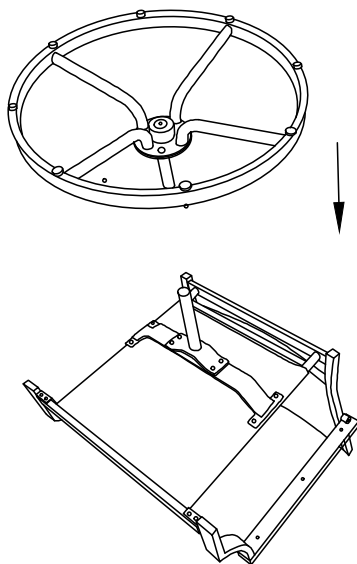


Assembly Instructions

④

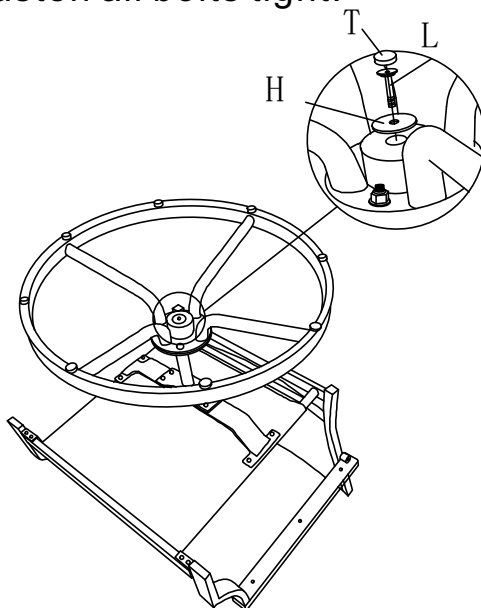


⑤



Assembly Instructions

⑥ Finally, fasten all bolts tight.



⑦

