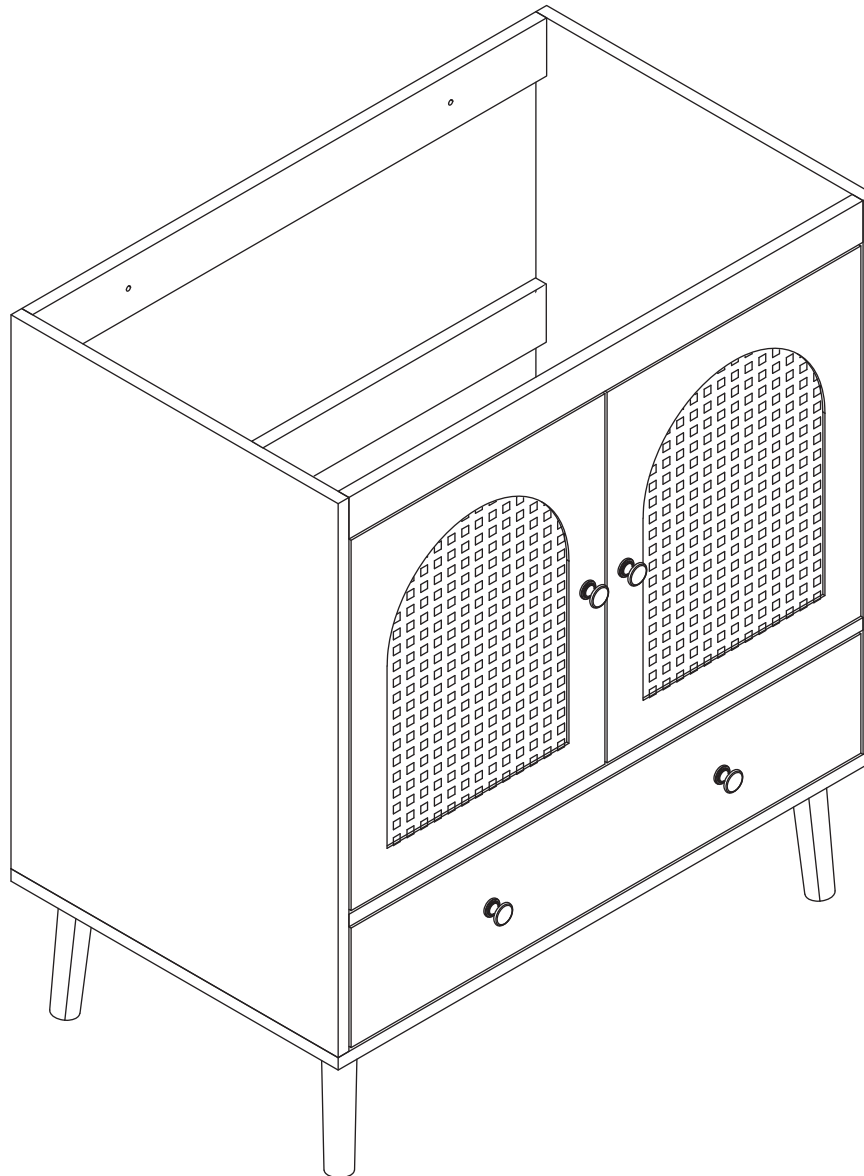


Assembly Instructions



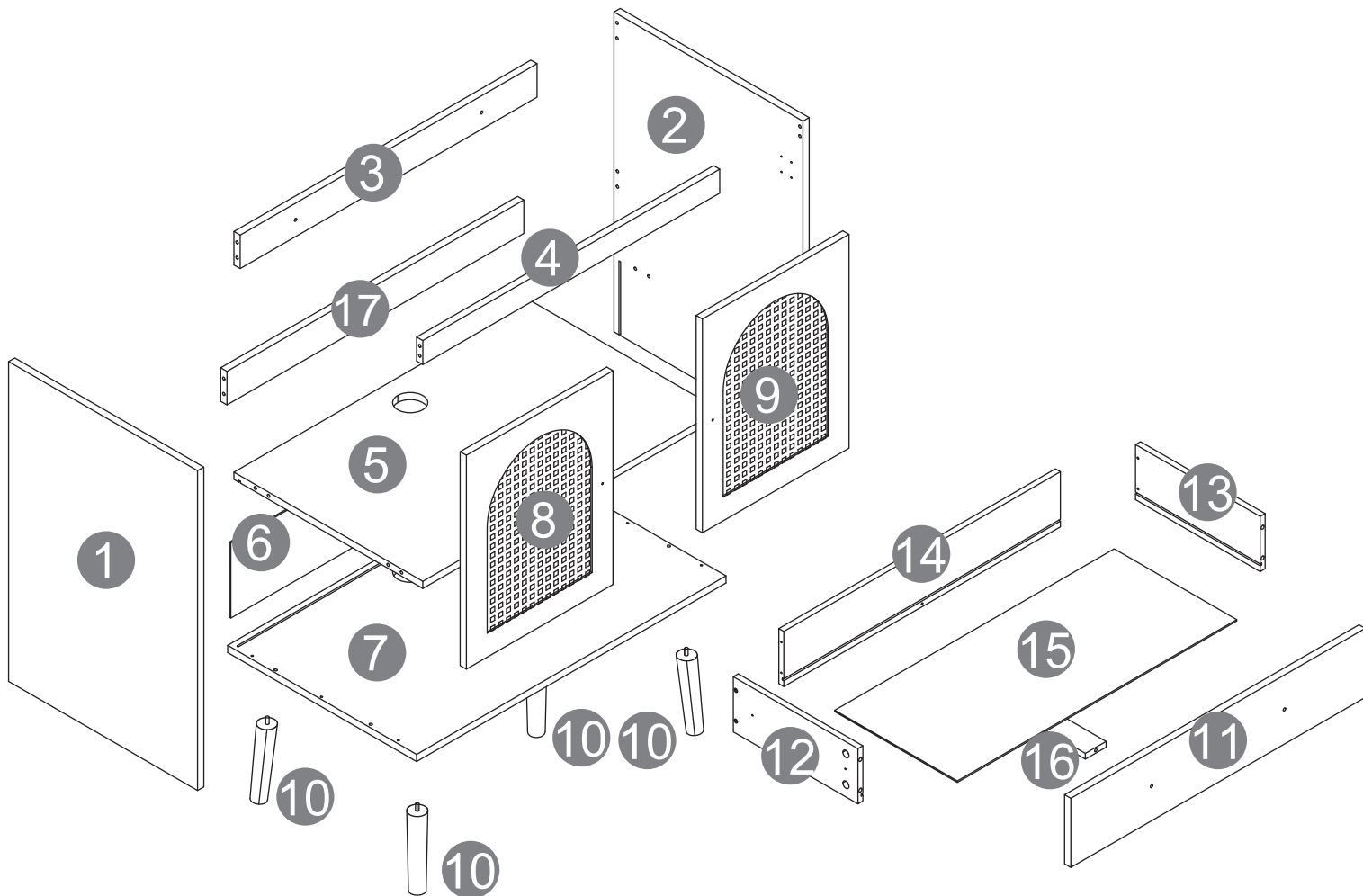
If there is any problem with the item, please call us for more service instead of returning the item directly.

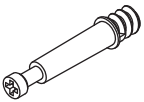

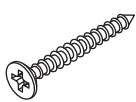



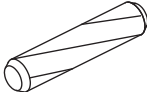
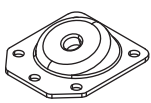
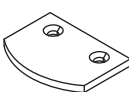

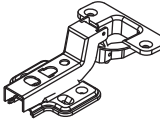

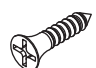
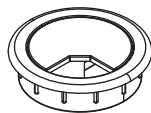

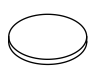
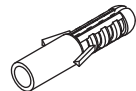
After-sales Tel : (1)844-465-0168

The email address : After-sale-service-QA@outlook.com

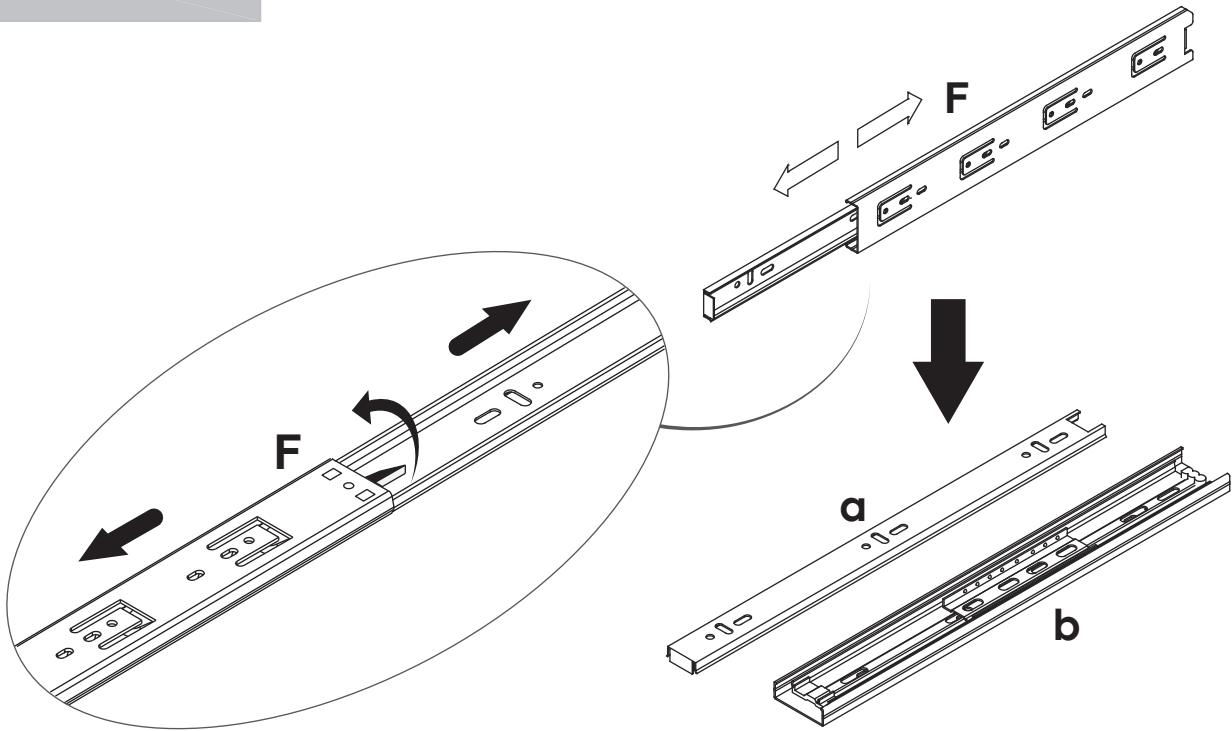
HARDWARE LIST

- ① x1 ② x1 ③ x1 ④ x1 ⑤ x1 ⑥ x1 ⑦ x1 ⑧ x1 ⑨ x1
 ⑩ x4 ⑪ x1 ⑫ x1 ⑬ x1 ⑭ x1 ⑮ x1 ⑯ x1 ⑰ x1

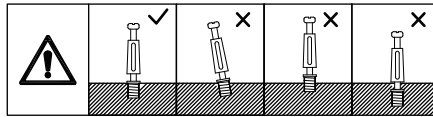


					
A = 19	B = 19	C = 8	D = 5	E = 12	F = 2
					
G = 10	H = 4	I = 1	J = 4	K = 4	L = 20
					
M = 26	N = 1	O = 6	P = 4	Q = 2	

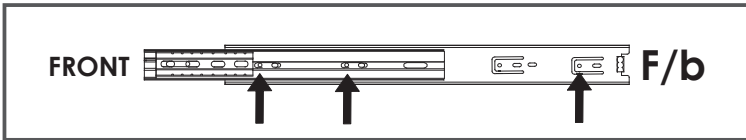
STEP 1



STEP 2



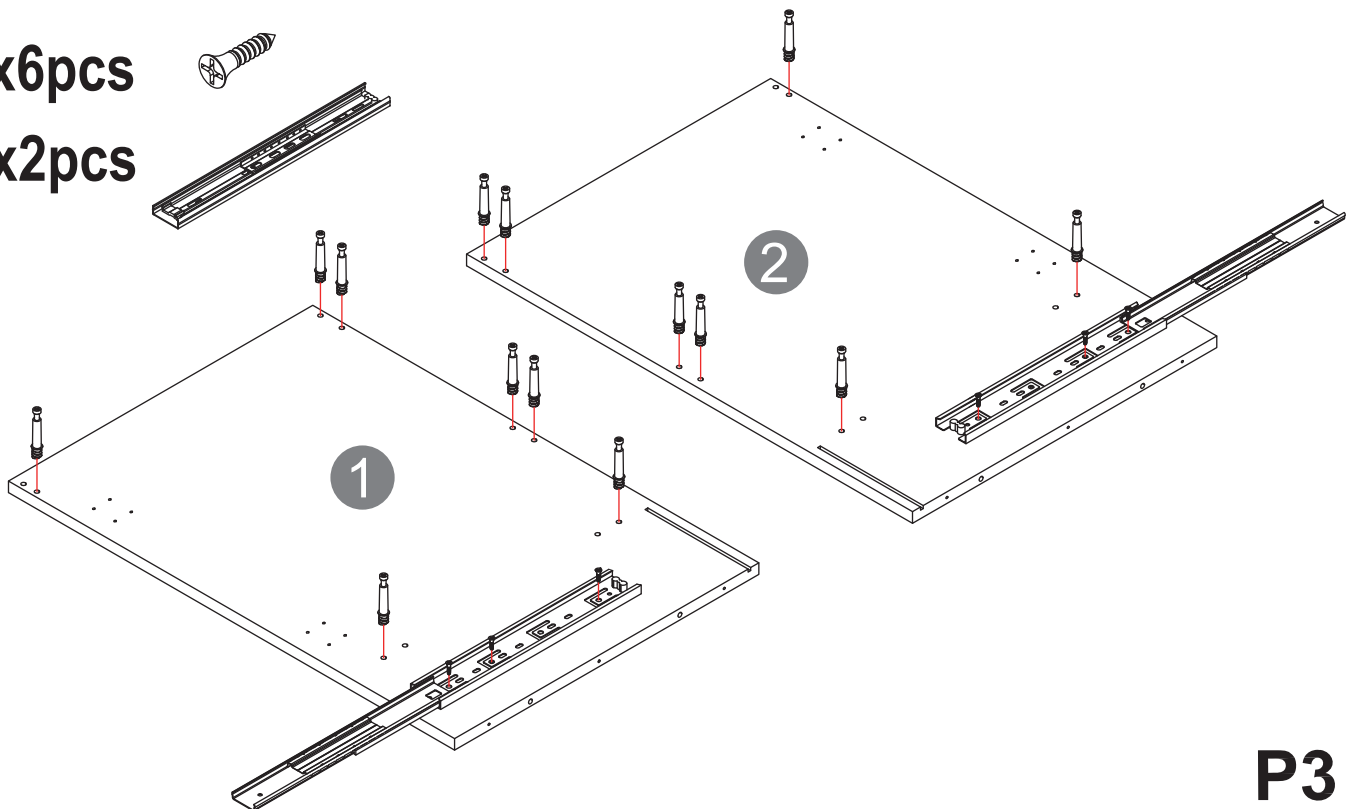
Note: Please make sure the screws are not too loose or too tight, or skewed.



A x14pcs 

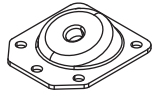
E x6pcs 

F/b x2pcs 

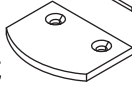


STEP 3

H x4pcs



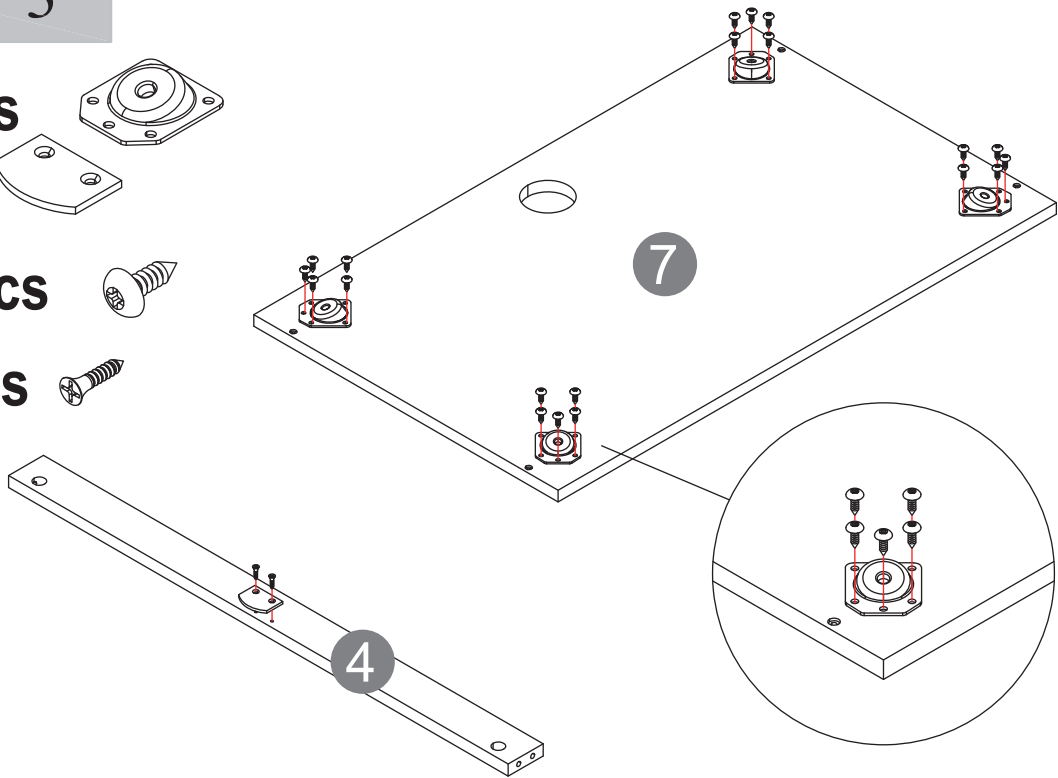
I x1pc



L x20pcs



M x2pcs

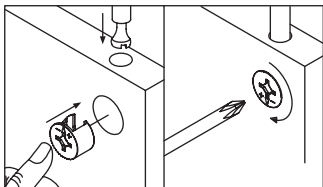
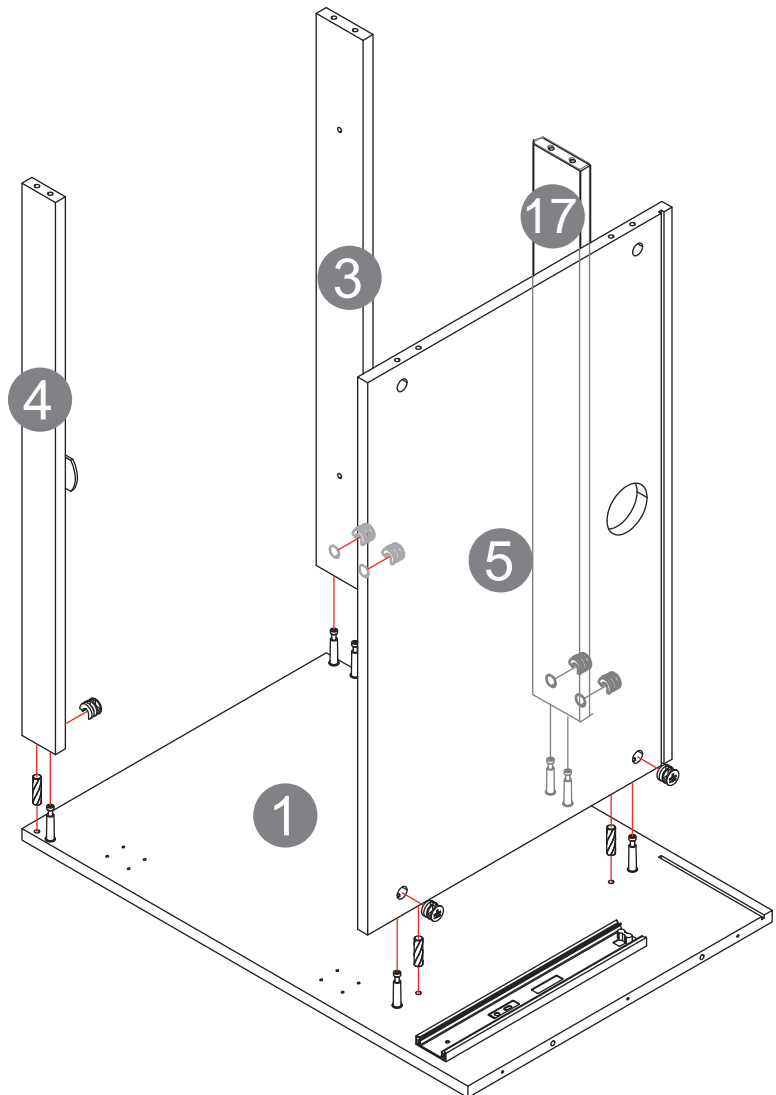
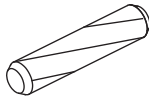


STEP 4

B x7pcs



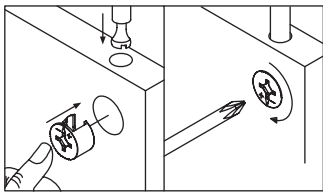
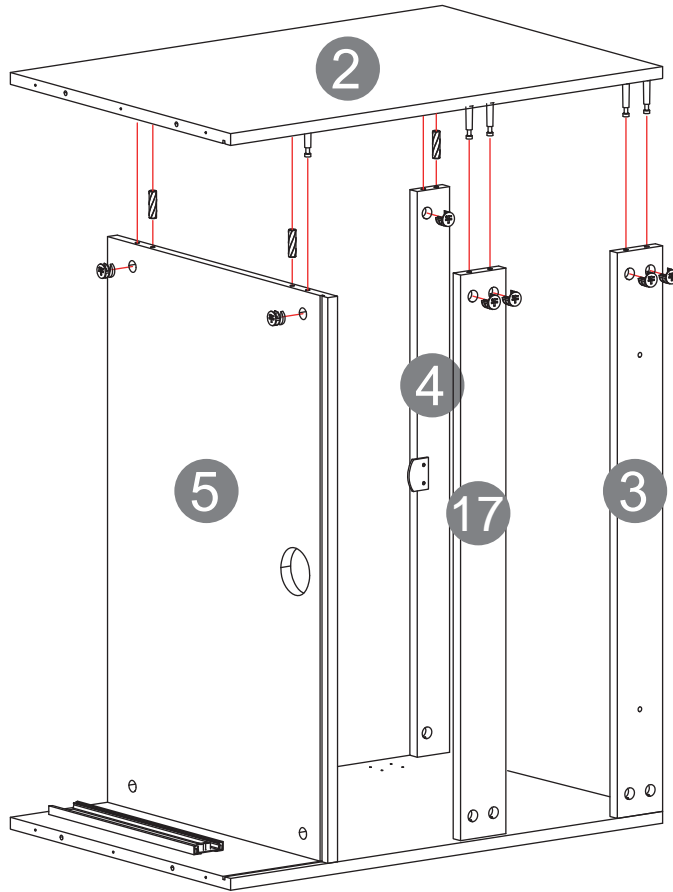
G x3pcs



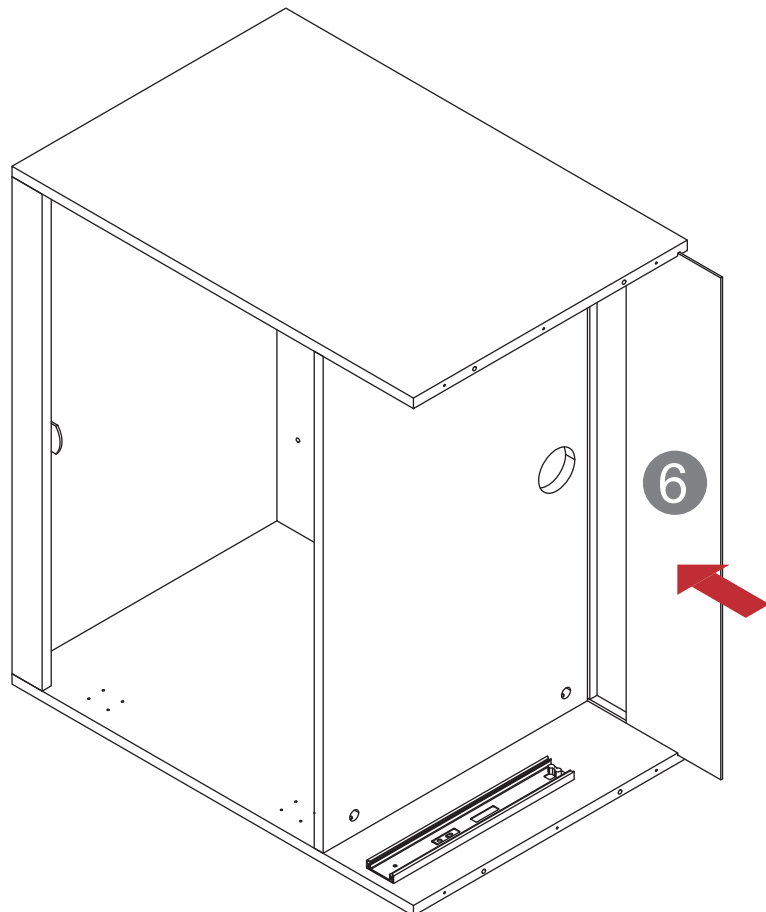
STEP 5

B x7pcs 

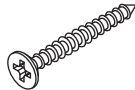

G x3pcs 

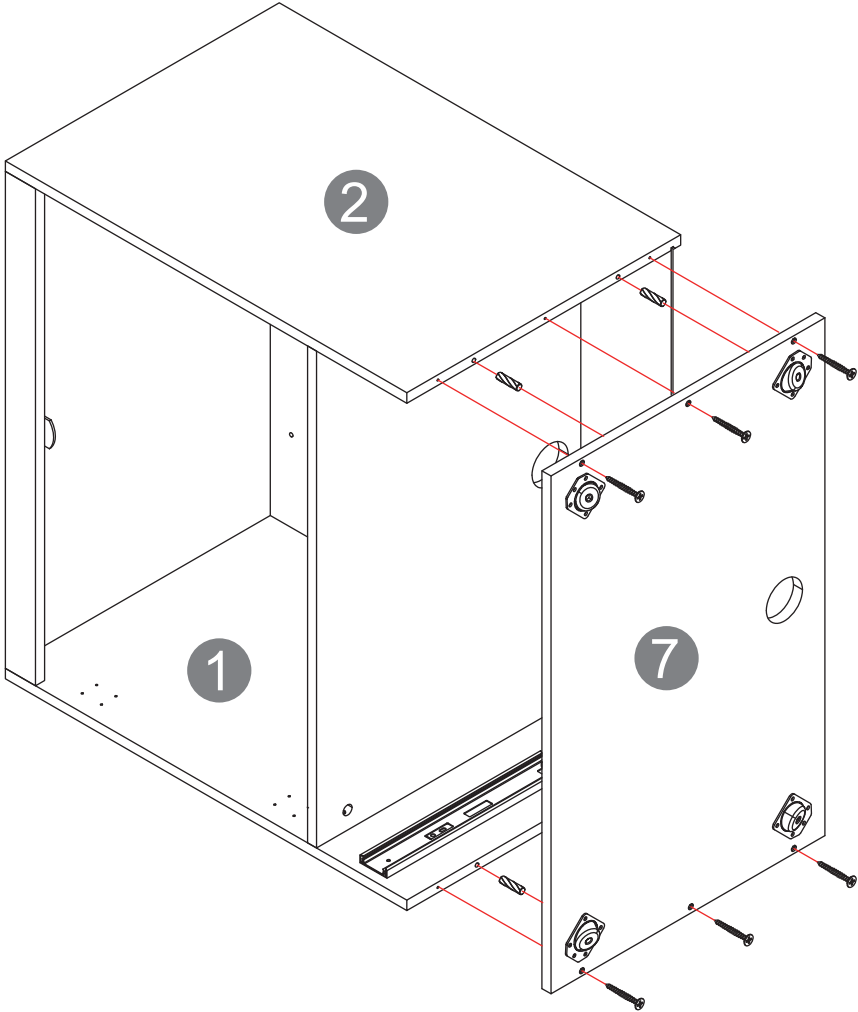


STEP 6



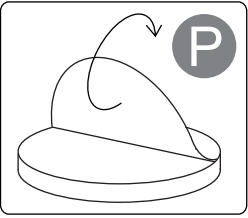
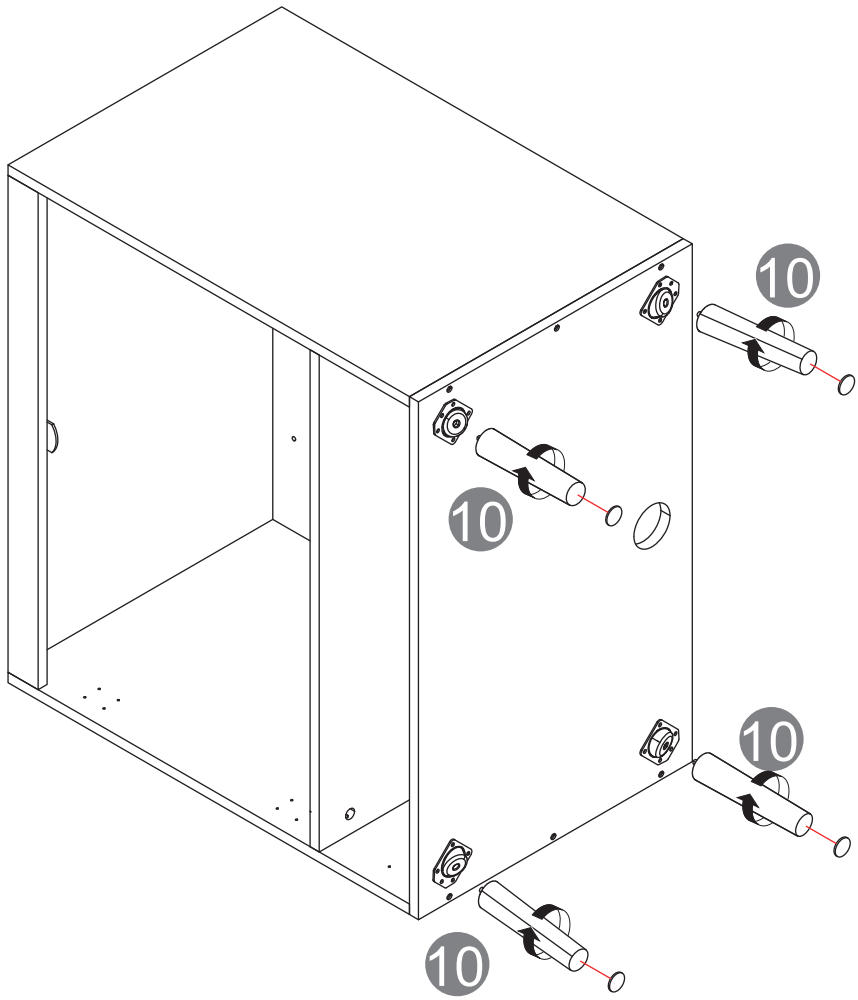
STEP 7

- C** x6pcs 
- G** x4pcs 

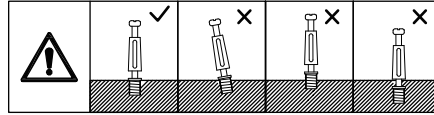


STEP 8

- P** x4pcs 

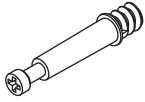


STEP 9

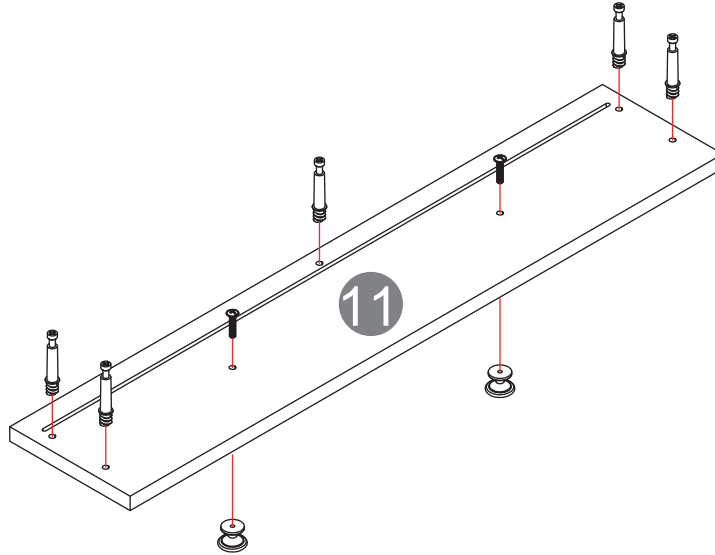


Note: Please make sure the screws are not too loose or too tight, or skewed.

A x5pcs

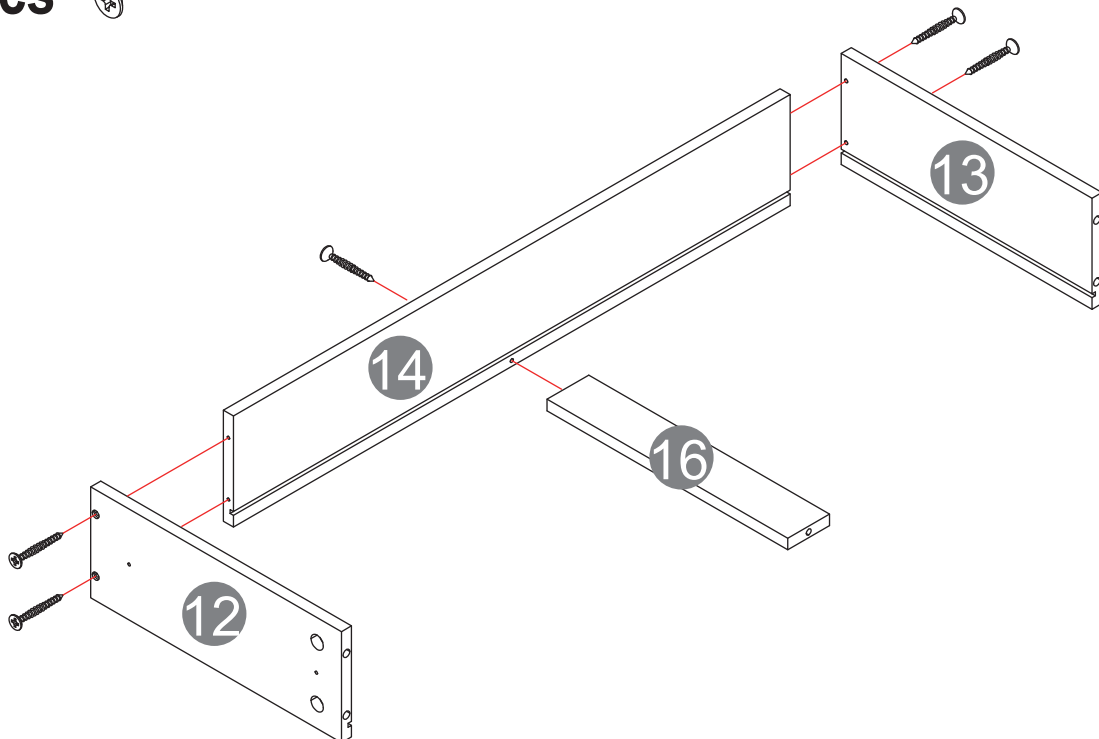
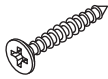


J x2pcs

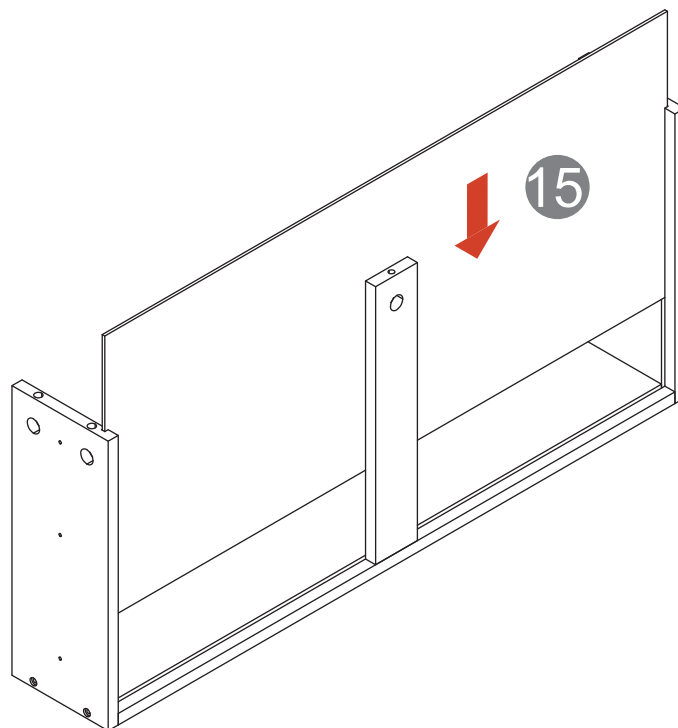


STEP 10

D x5pcs

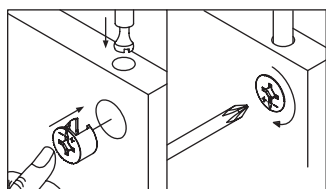
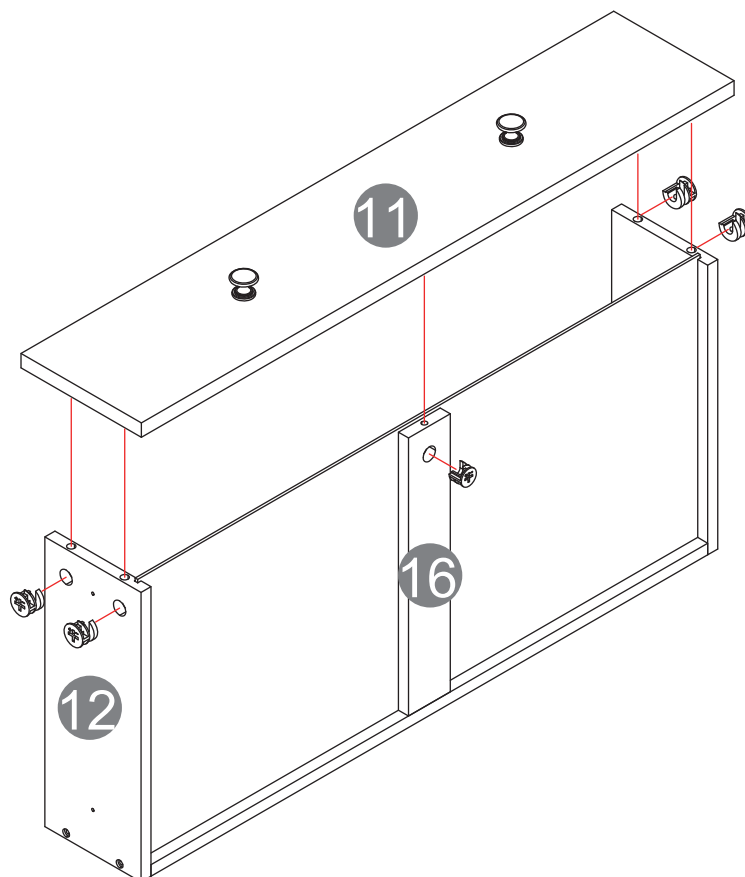


STEP 11



STEP 12

B x5pcs 

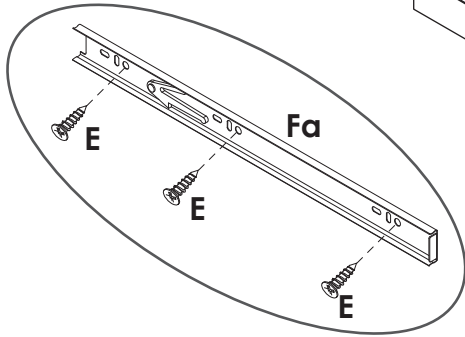
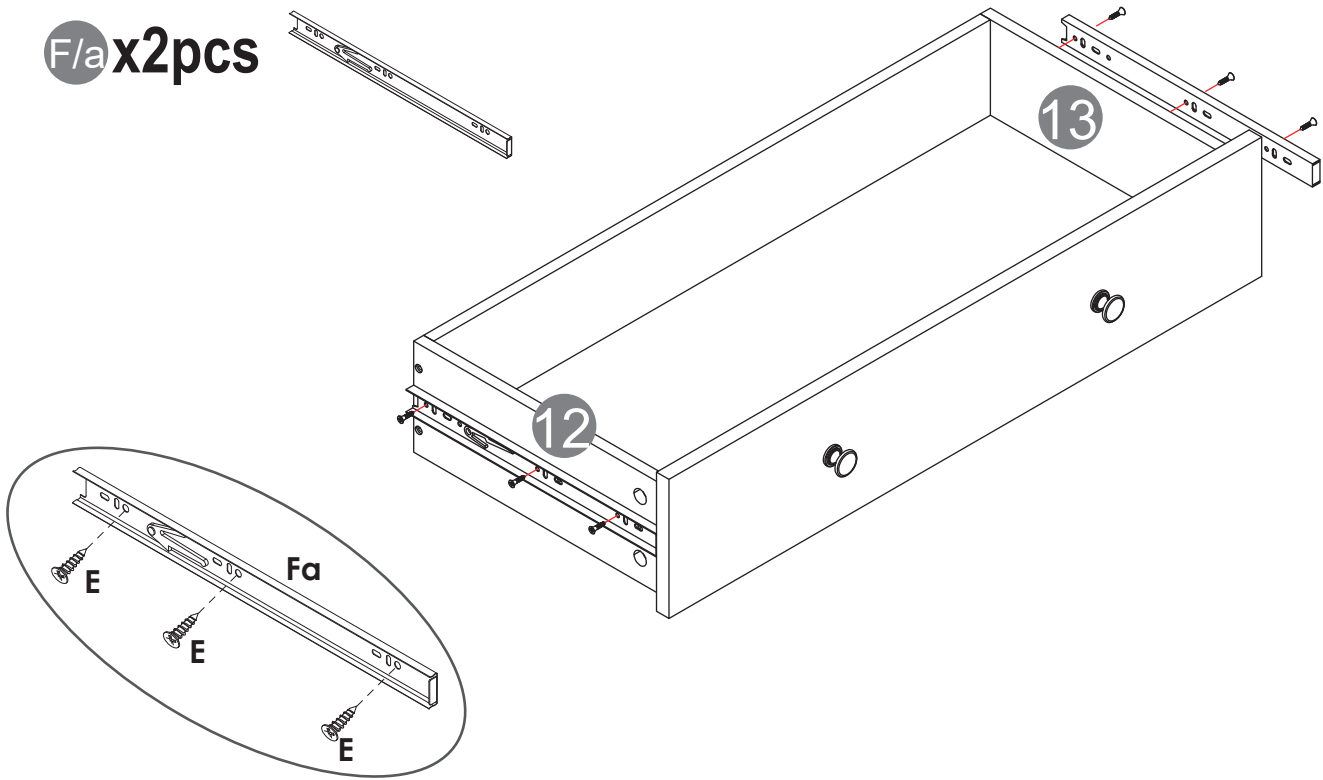
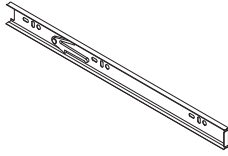


STEP 13

E x6pcs

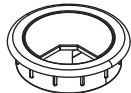


F/a x2pcs

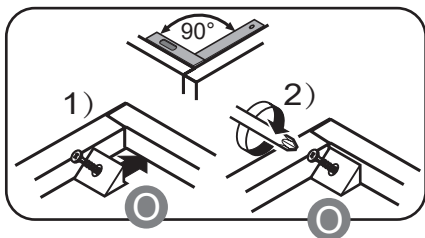
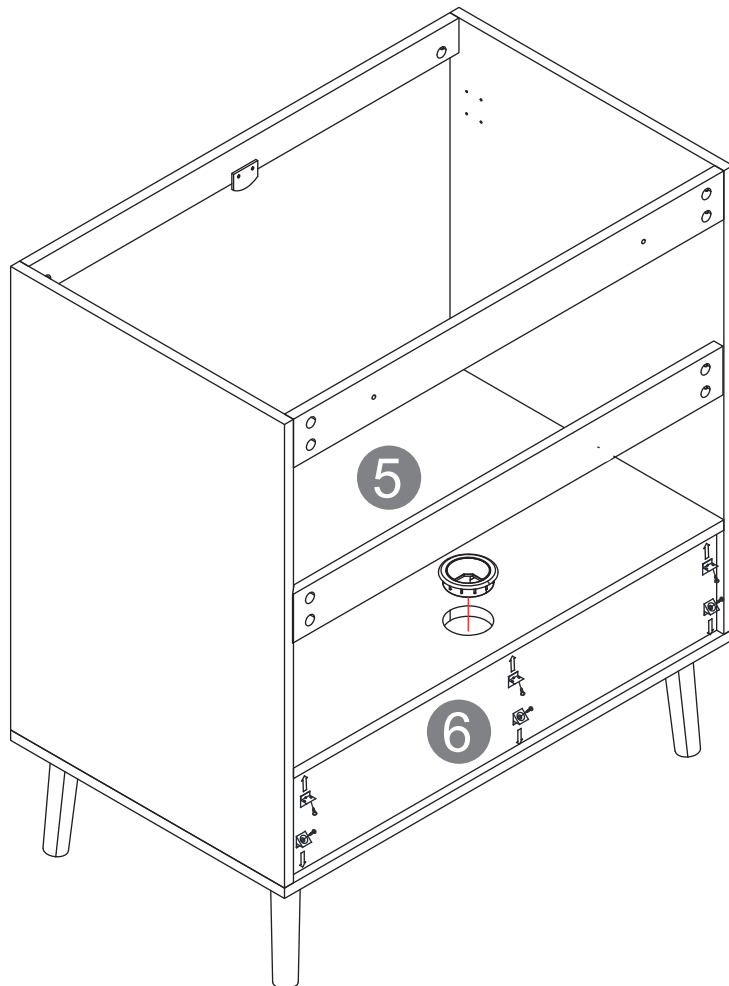
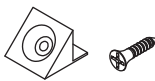


STEP 14

N x1pc



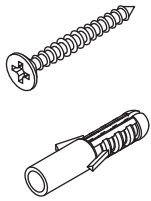
O x6pcs



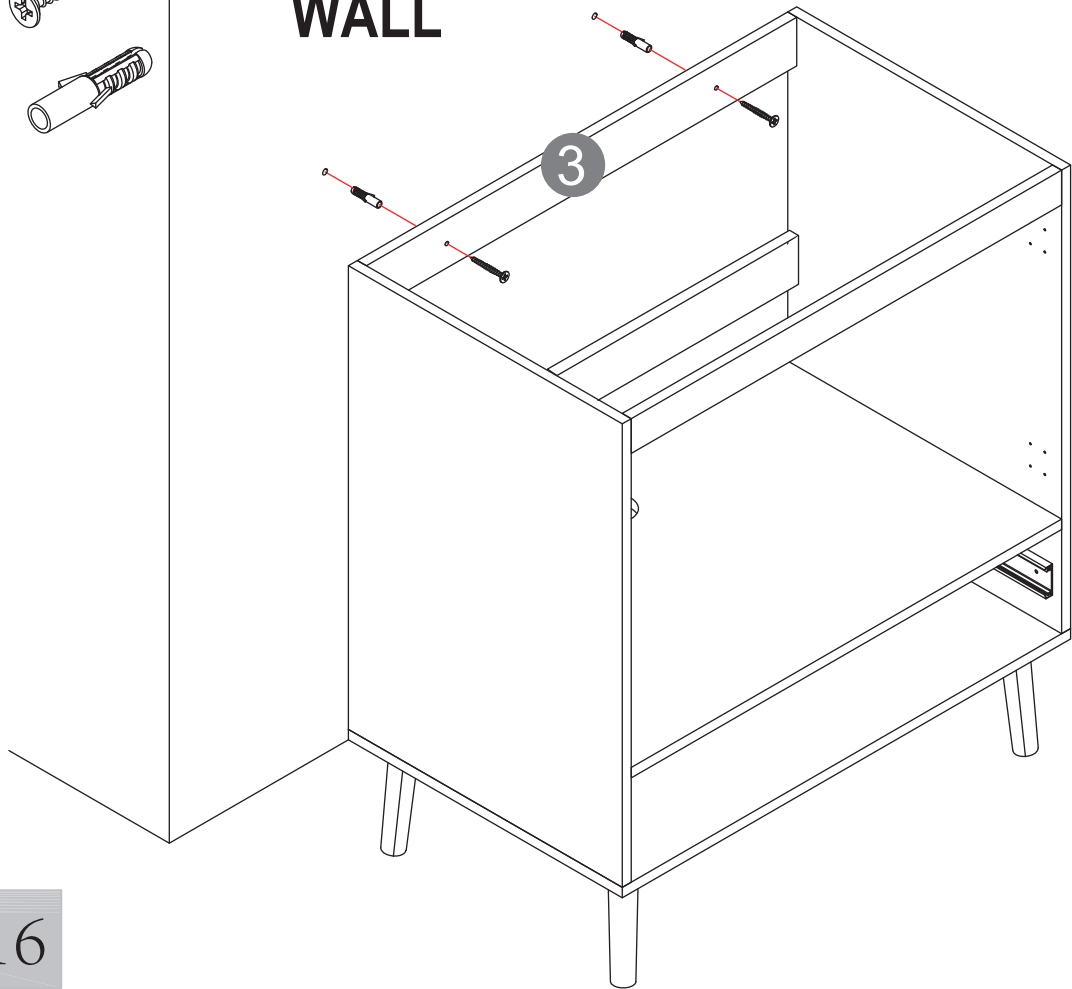
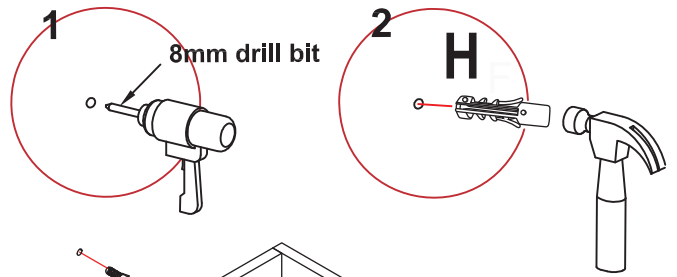
STEP 15

C x2pcs

Q x2pcs



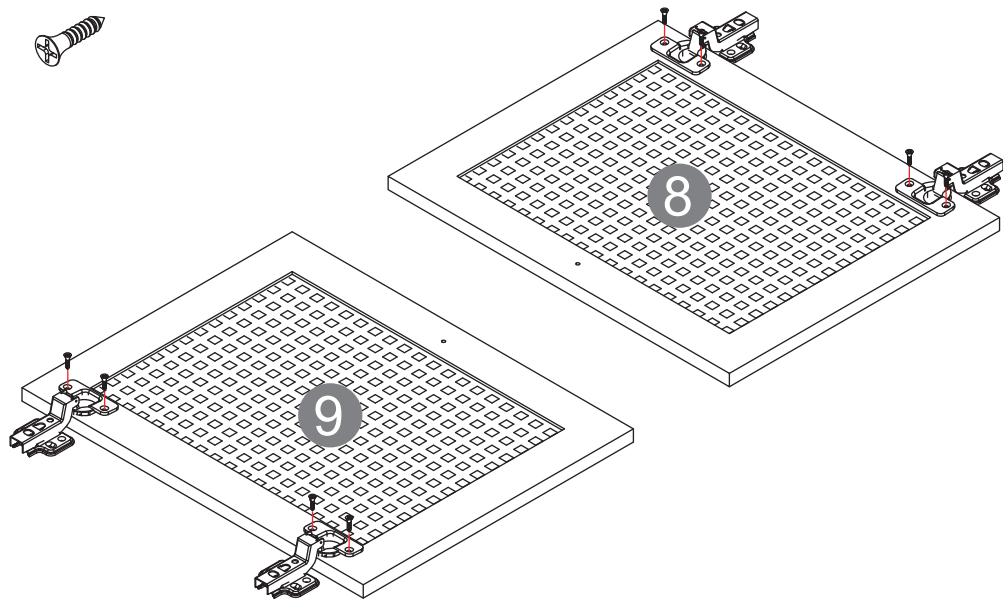
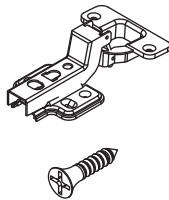
WALL



STEP 16

K x4pcs

M x8pcs

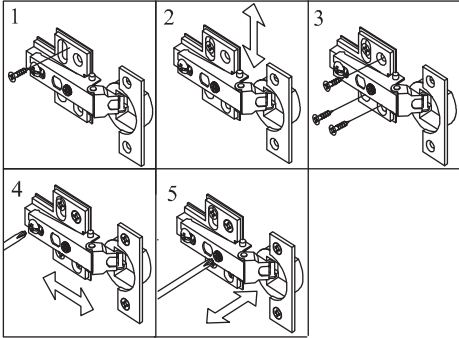
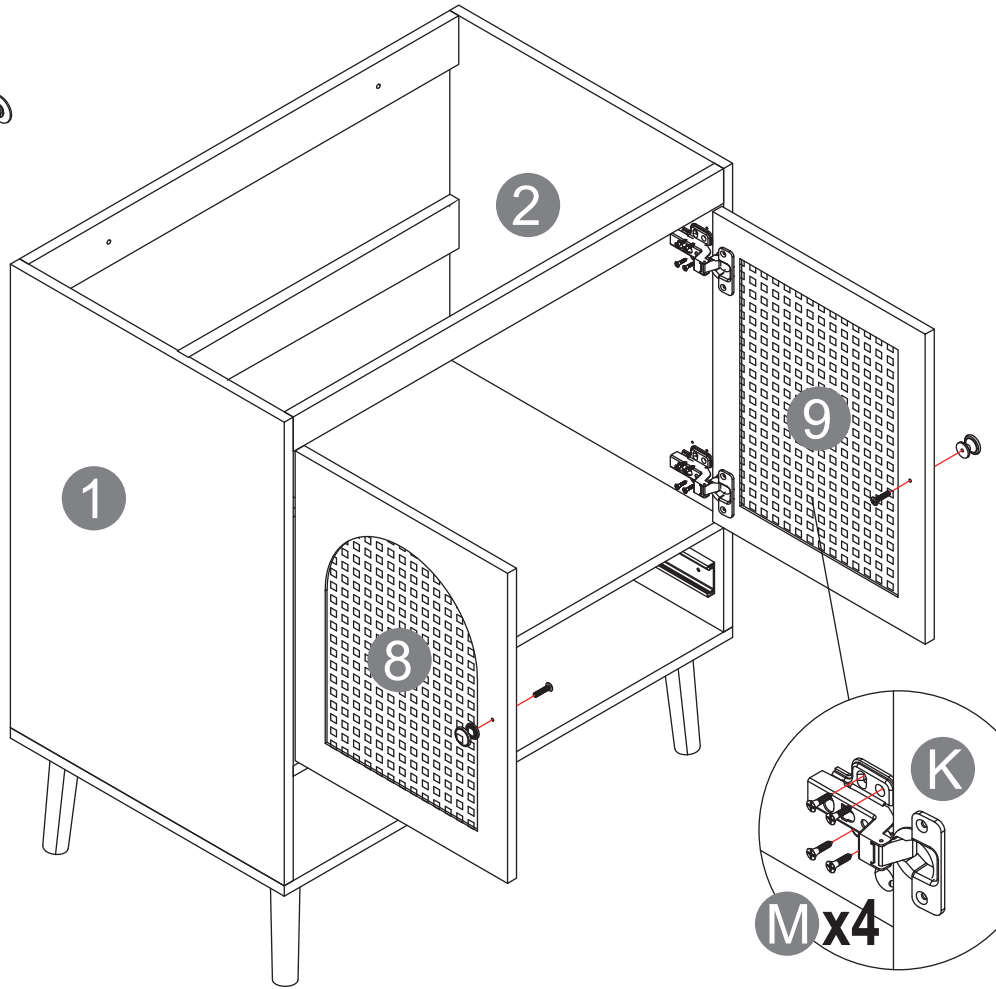


STEP 16

J x2pcs



M x16pcs



STEP 17

