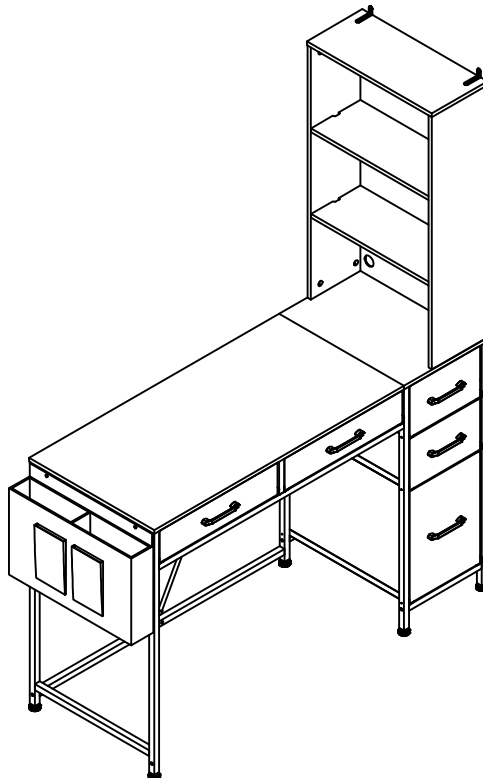
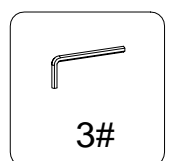
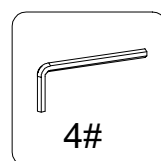
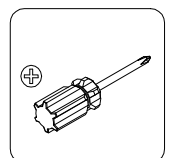
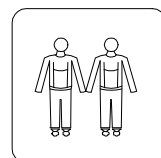


Installation Option I



Installation Option II

DJ504149



Warning: Please read this instruction manual carefully before using the product.

Version :1.0

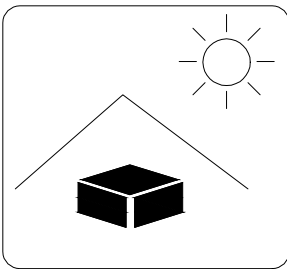
Package Contents

Plates and iron components

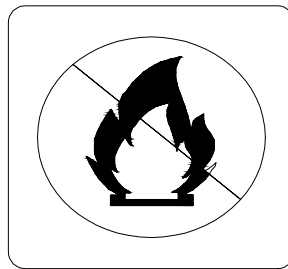
Assembly tool kit

Instruction manual

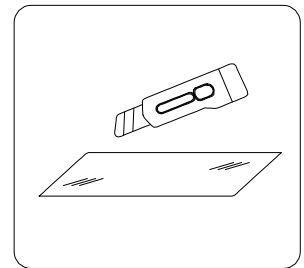
Package Contents



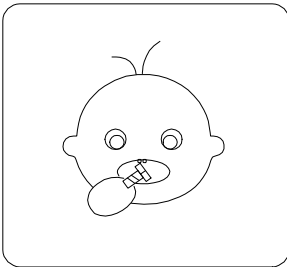
1. Avoid long-term direct sunlight exposure



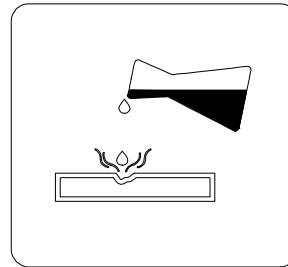
2. Stay away from fire



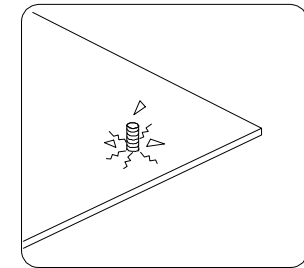
3. Keep away from sharp objects



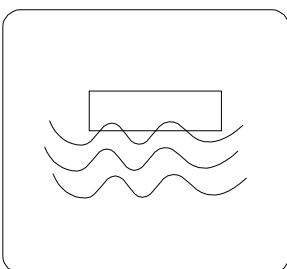
4. Keep infants/children away from assembly parts to avoid choking and suffocation.



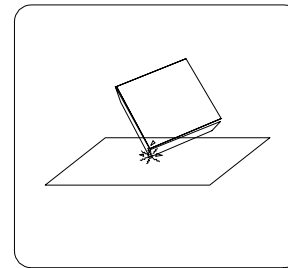
5. Keep away from corrosive substances



6. Pay attention to avoid over-tightening fasteners, or they may induce cracking within the board.



7. Prevent objects from being damaged by immersion in water



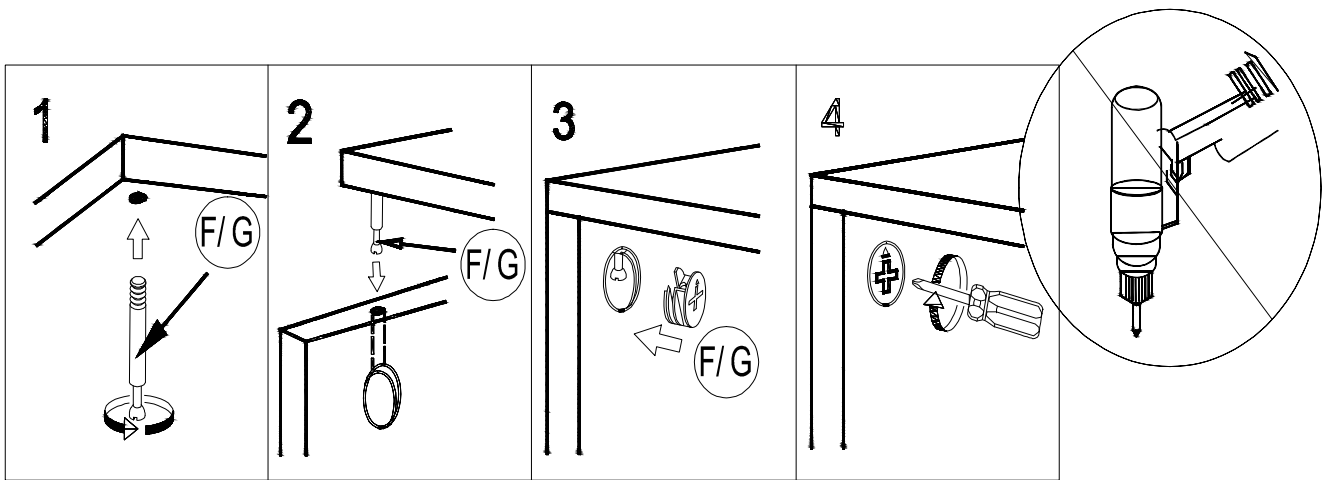
8. Prevent object collision and damage



9. Be careful to avoid collisions

Installation of Cams and Pins

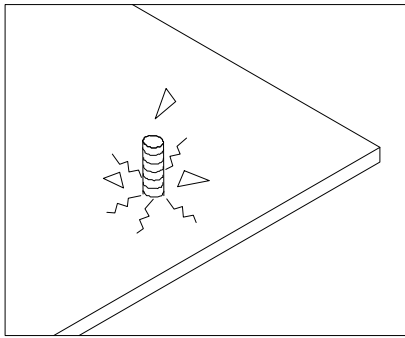
Screw the pin into the hole. To set the cams correctly, ensure that the arrow on the cam is opening o the hole of the pin it is locking. Lock the cam by tturning the cam head with a screwdriver until it is tightened. Please do not use an electric screwdriver to assemble the unit.



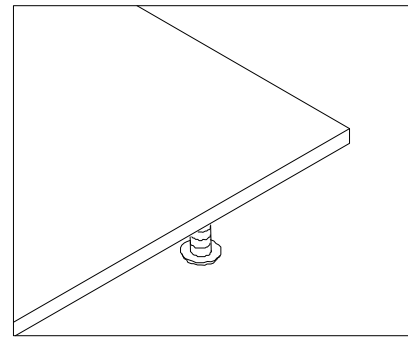
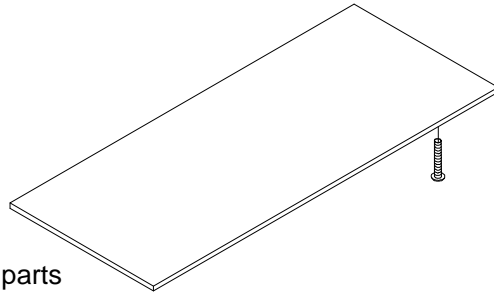
Installation of Cams and Pins

1. Matters needing attention

Be sure to use the proper screws to avoid damaging the parts



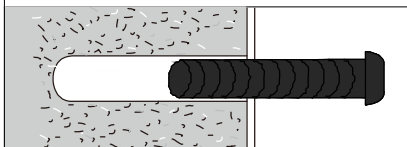
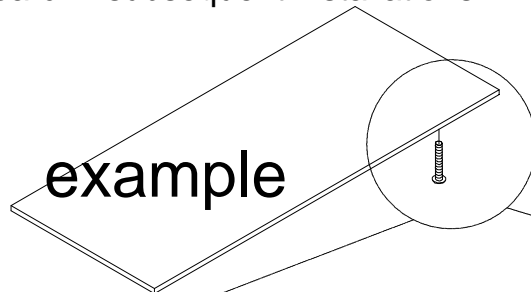
Wrong screws can cause the plank to crack



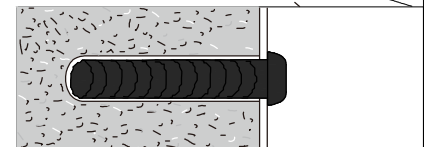
The right screw is the right size

Matters needing attention

- (1) When installing the screws in the installation step, the screws do not need to be tightened. After this installation step is confirmed and the holes are aligned, then tighten all the screws.
- (2) If the screws are tightened during the installation process, it will cause problems such as misalignment of the screw holes and misalignment of the board in subsequent installations.

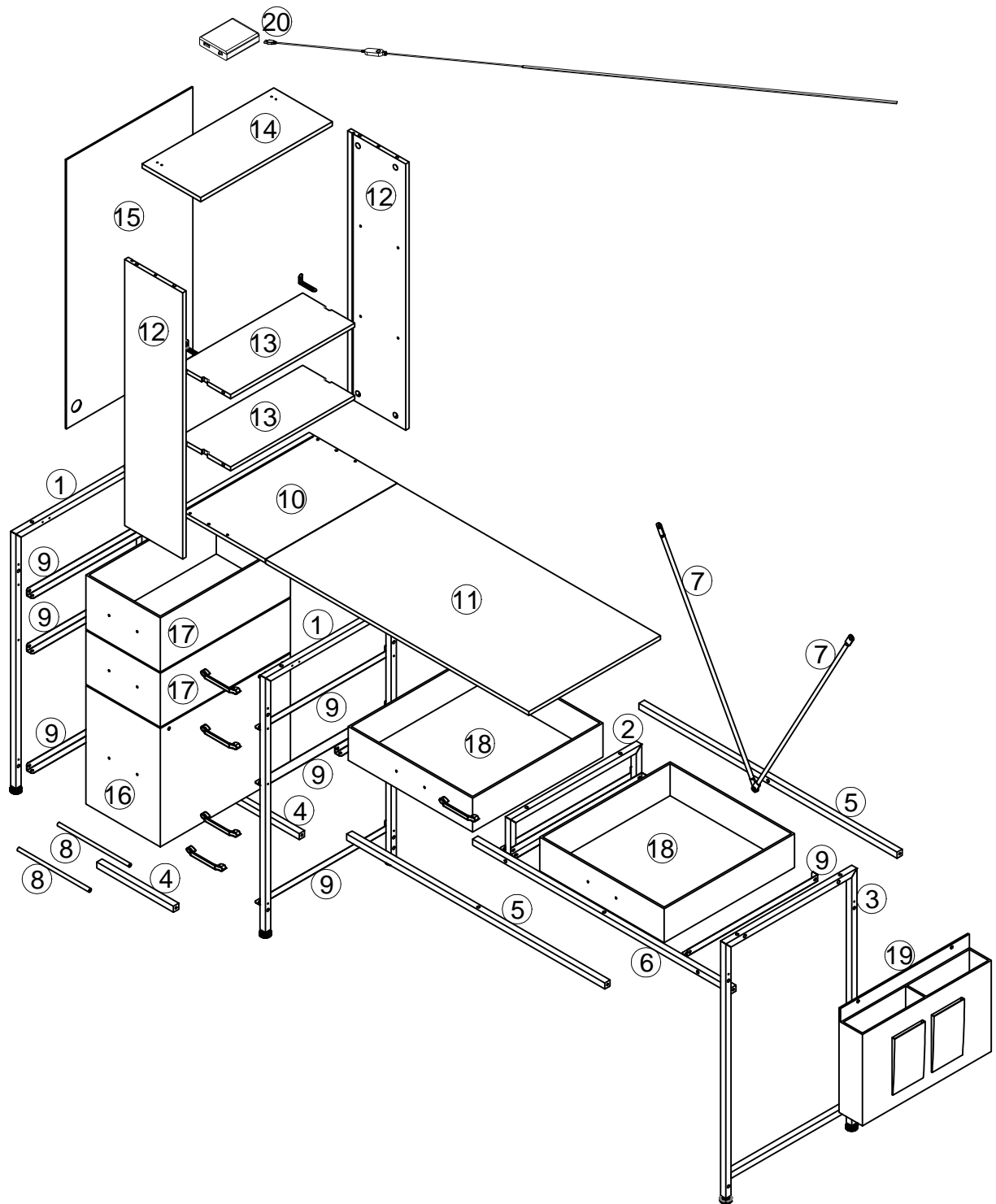


Do not tighten the screws

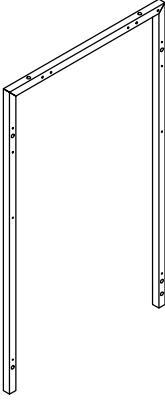
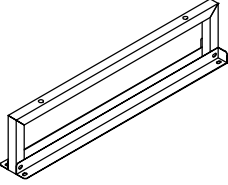
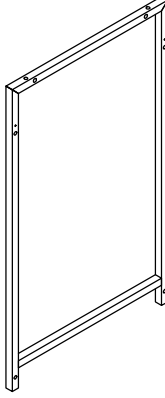
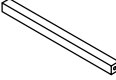
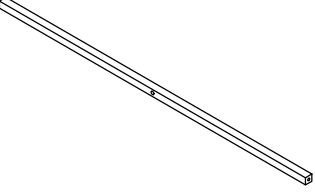
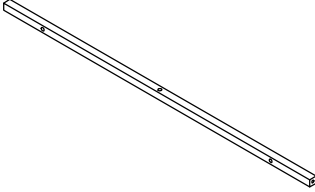
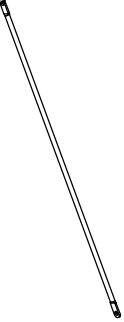

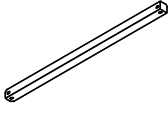


Screw down

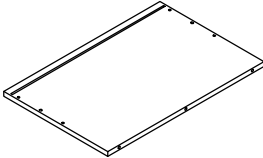
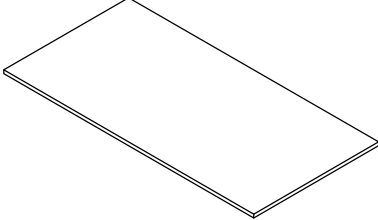

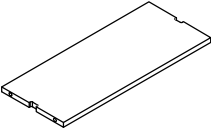
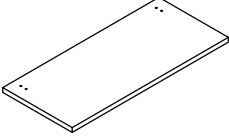

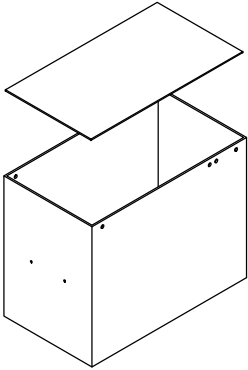
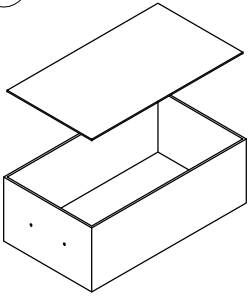
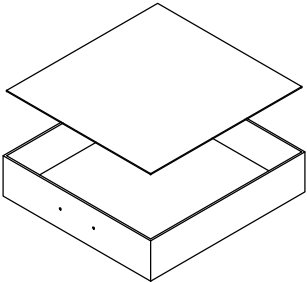
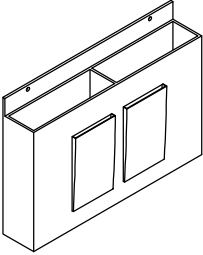
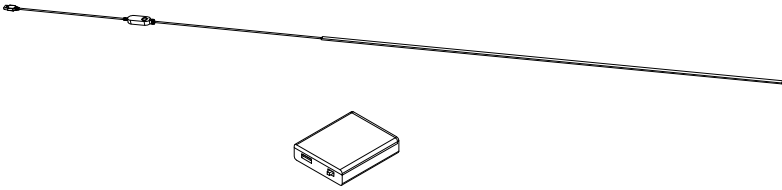
Disassembly Diagram



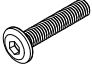
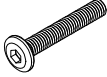
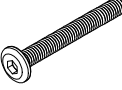
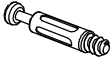

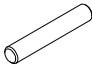





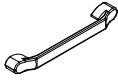







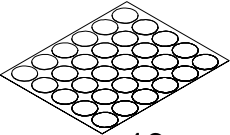
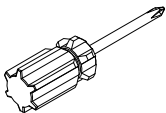



Parts List

<p>①</p>  <p>X2</p>	<p>②</p>  <p>X1</p>	
<p>③</p>  <p>X1</p>	<p>④</p>  <p>X2</p>	
<p>⑤</p>  <p>X2</p>	<p>⑥</p>  <p>X1</p>	
<p>⑦</p>  <p>X2</p>	<p>⑧</p>  <p>X2</p>	<p>⑨</p>  <p>X8</p>

Parts List

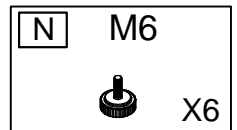
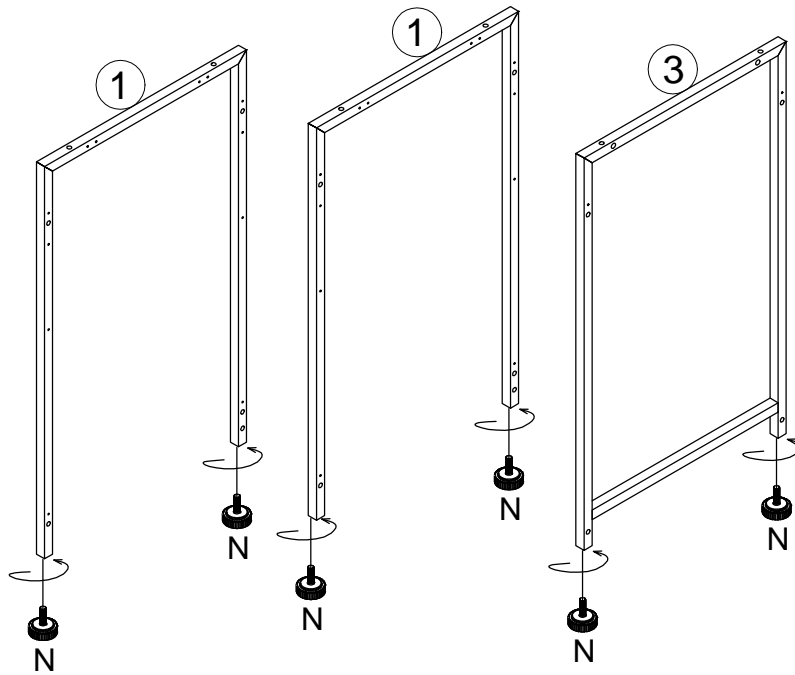
<p>⑩</p>  <p>X1</p>	<p>⑪</p>  <p>X1</p>	<p>⑫</p>  <p>X2</p>
<p>⑬</p>  <p>X2</p>	<p>⑭</p>  <p>X1</p>	<p>⑮</p>  <p>X1</p>
<p>⑯</p>  <p>X1</p>	<p>⑰</p>  <p>X2</p>	<p>⑱</p>  <p>X2</p>
<p>⑲</p>  <p>X1</p>	<p>⑳</p>  <p>X1</p>	

Tool sheet

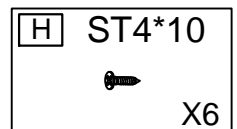
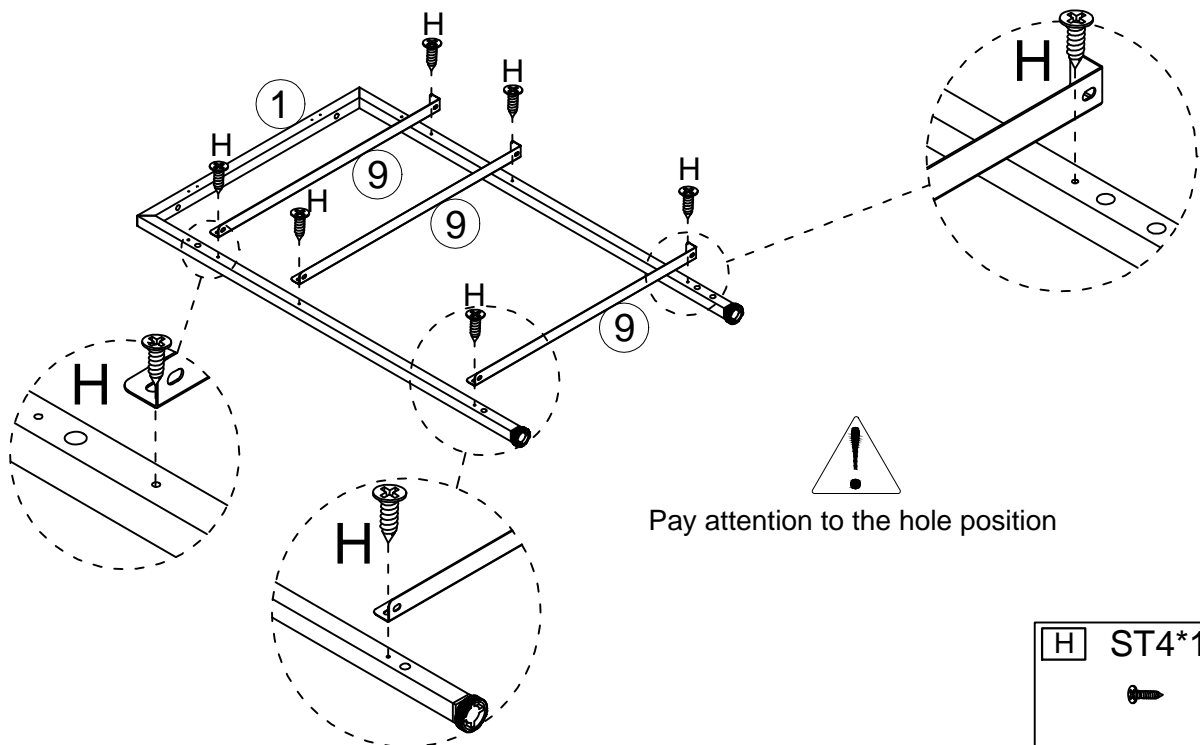
<p>A M6*25mm</p>  <p>X10+1</p>	<p>B M6*30mm</p>  <p>X1</p>	<p>C M6*40mm</p>  <p>X12+1</p>	<p>D ST6*40mm</p>   <p>9.5</p> <p>X16+1</p>
<p>E Ø6*35mm</p>  <p>X7</p>	<p>F ST3.5*12mm</p>  <p>X4</p>	<p>G ST3.5*14mm</p>   <p>X6</p>	<p>H ST4*10mm</p>  <p>X24+2</p>
<p>I M6*14mm</p>  <p>X6</p>	<p>J M4*8mm</p>   <p>X1 X2</p> <p>X5</p>	<p>K M6</p>  <p>X3</p>	<p>L M6</p>  <p>X2</p>
<p>M</p>  <p>X2</p>	<p>N M6</p>  <p>X6</p>	<p>O</p>  <p>X5</p>	<p>P</p>  <p>X2</p>
 <p>16</p> <p>X1</p>	 <p>X1</p>	 <p>4#</p> <p>X1</p>	 <p>3#</p> <p>X1</p>
 <p>X1</p>			

ASSEMBLY INSTRUCTION

STEP 1

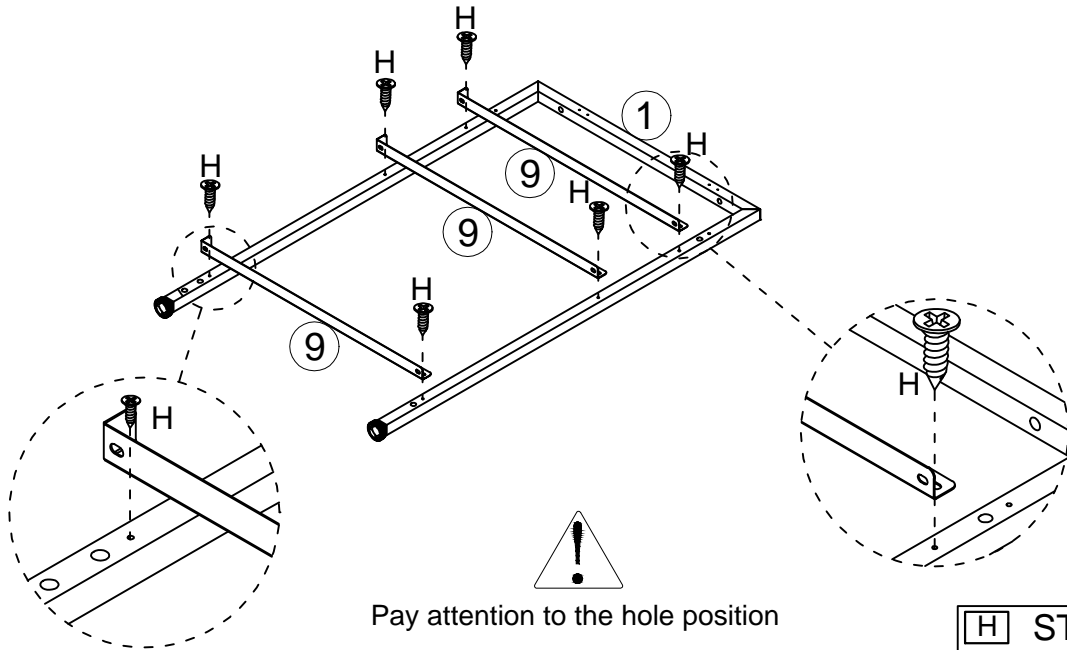



STEP 2



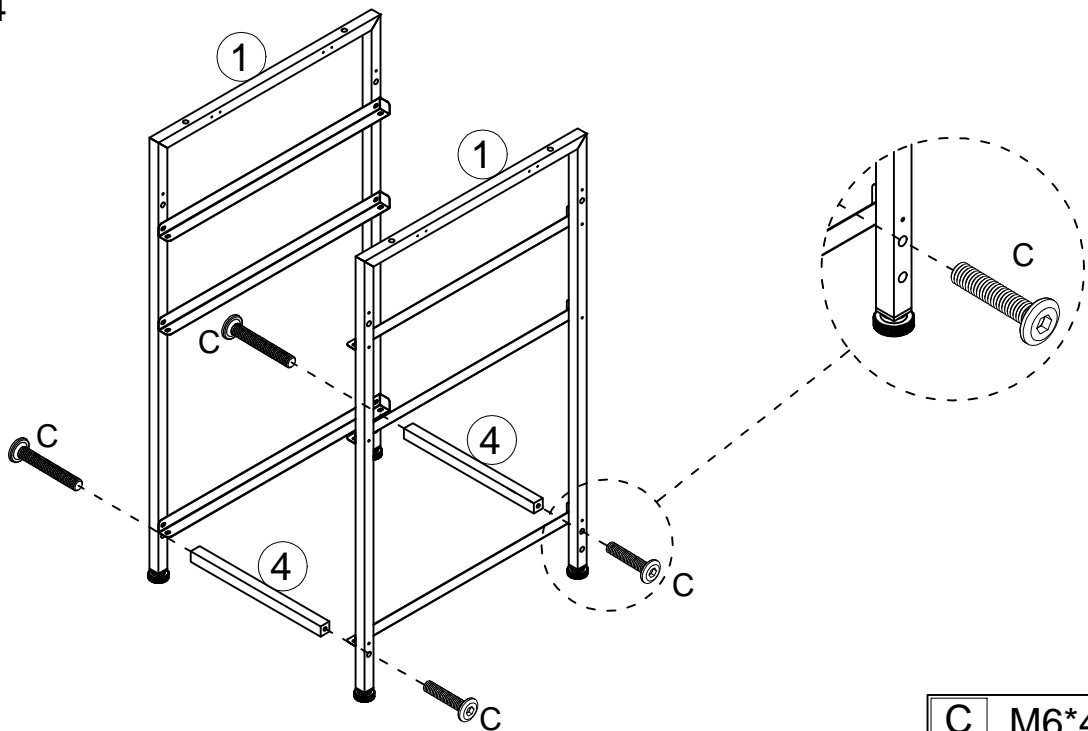
ASSEMBLY INSTRUCTION


STEP 3



H	ST4*10
	
	X6

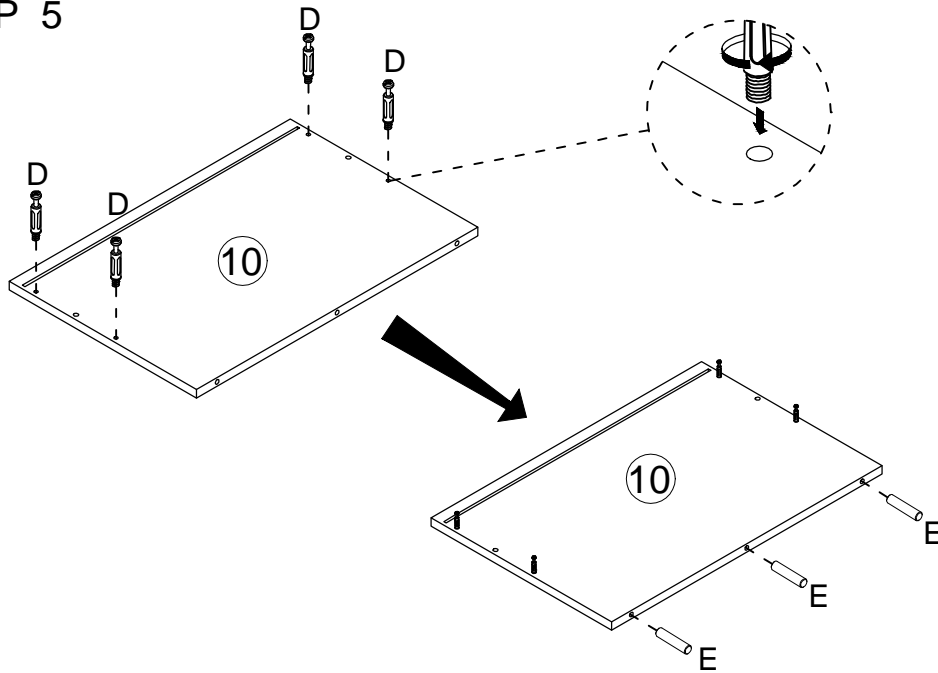
STEP 4


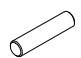


C	M6*40
	
	X4

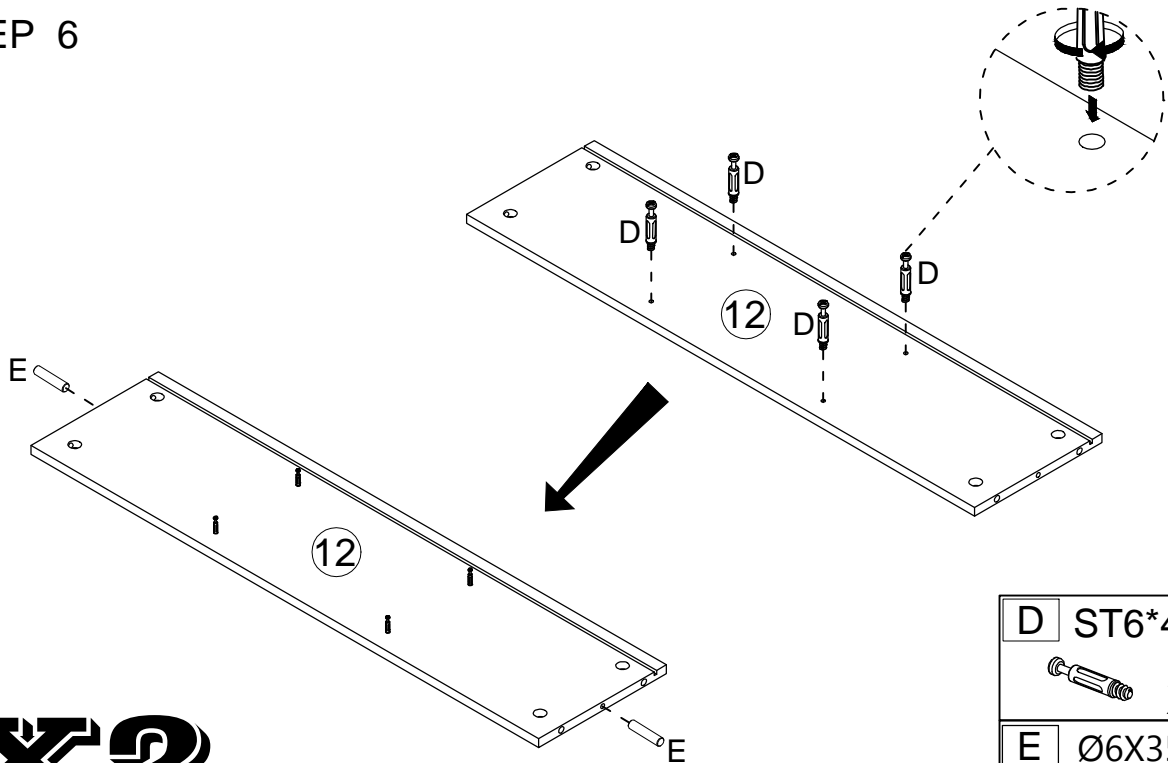
ASSEMBLY INSTRUCTION



STEP 5



D	ST6*40
	X4
E	Ø6X35
	X3

STEP 6

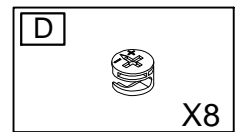
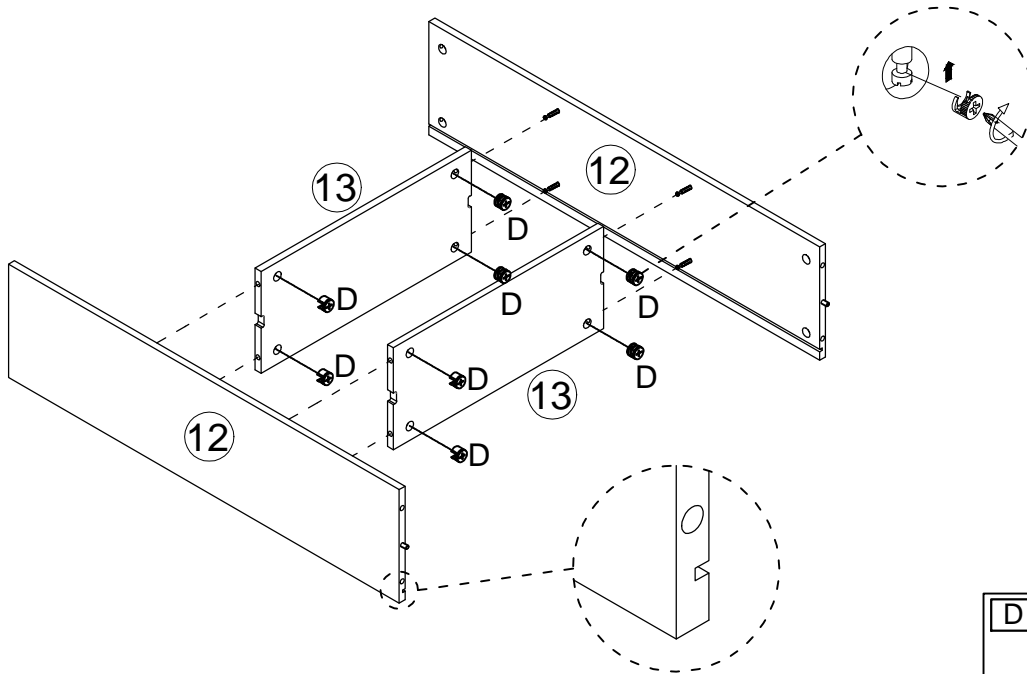


D	ST6*40
	X8
E	Ø6X35
	X4

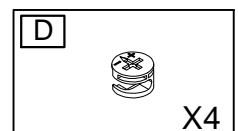
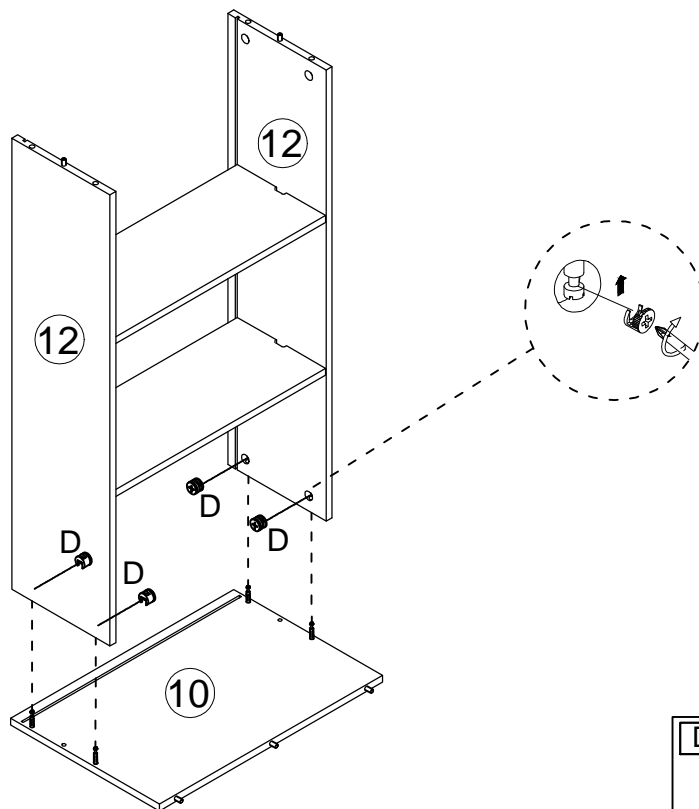
X2

ASSEMBLY INSTRUCTION

STEP 7

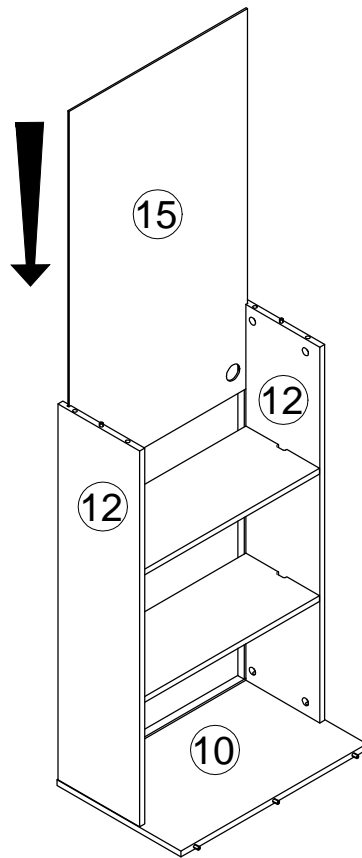


STEP 8

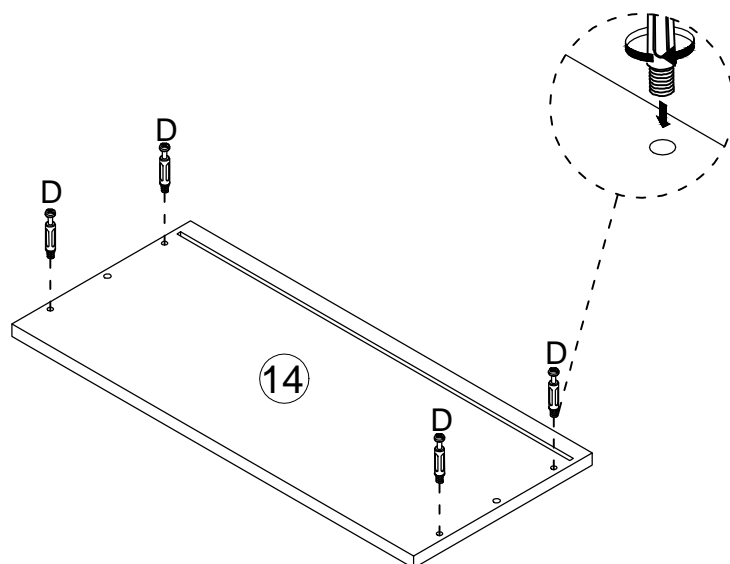


ASSEMBLY INSTRUCTION

STEP 9



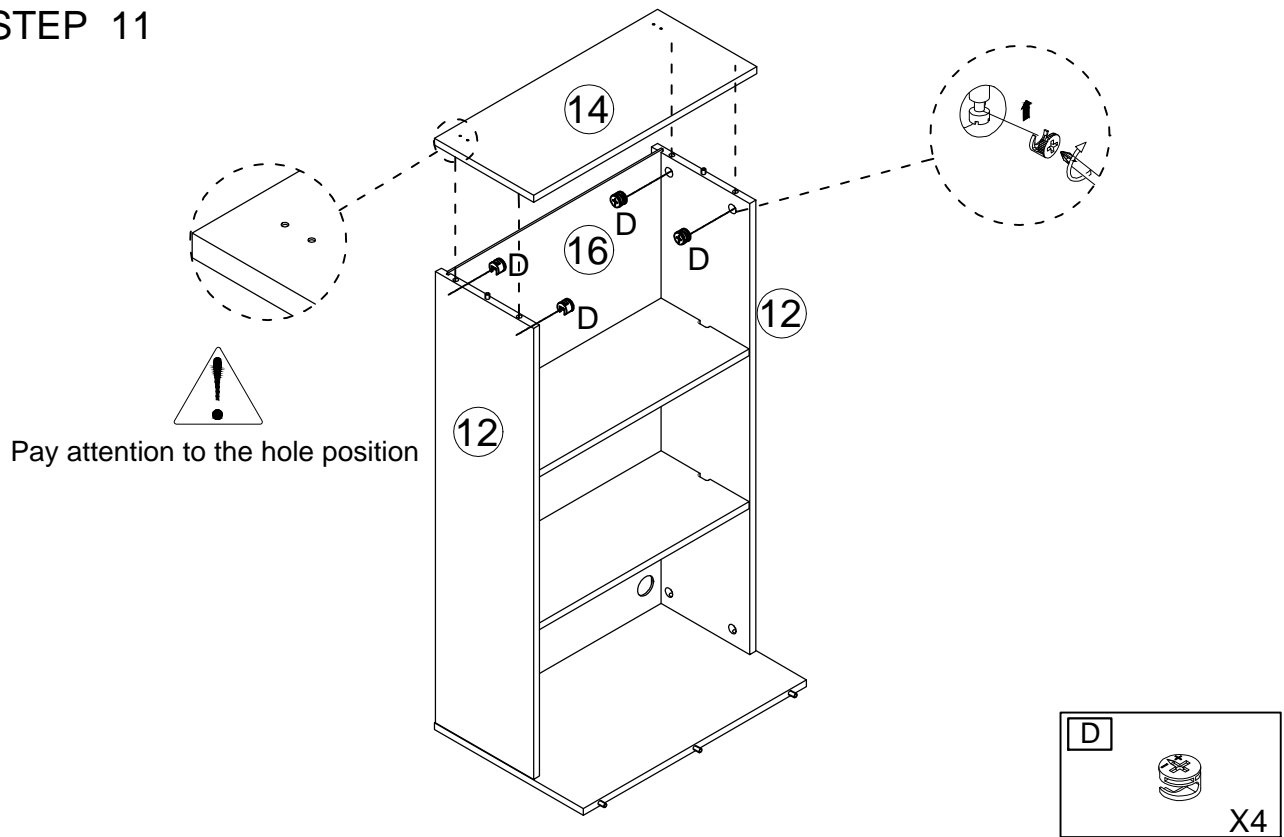
STEP 10



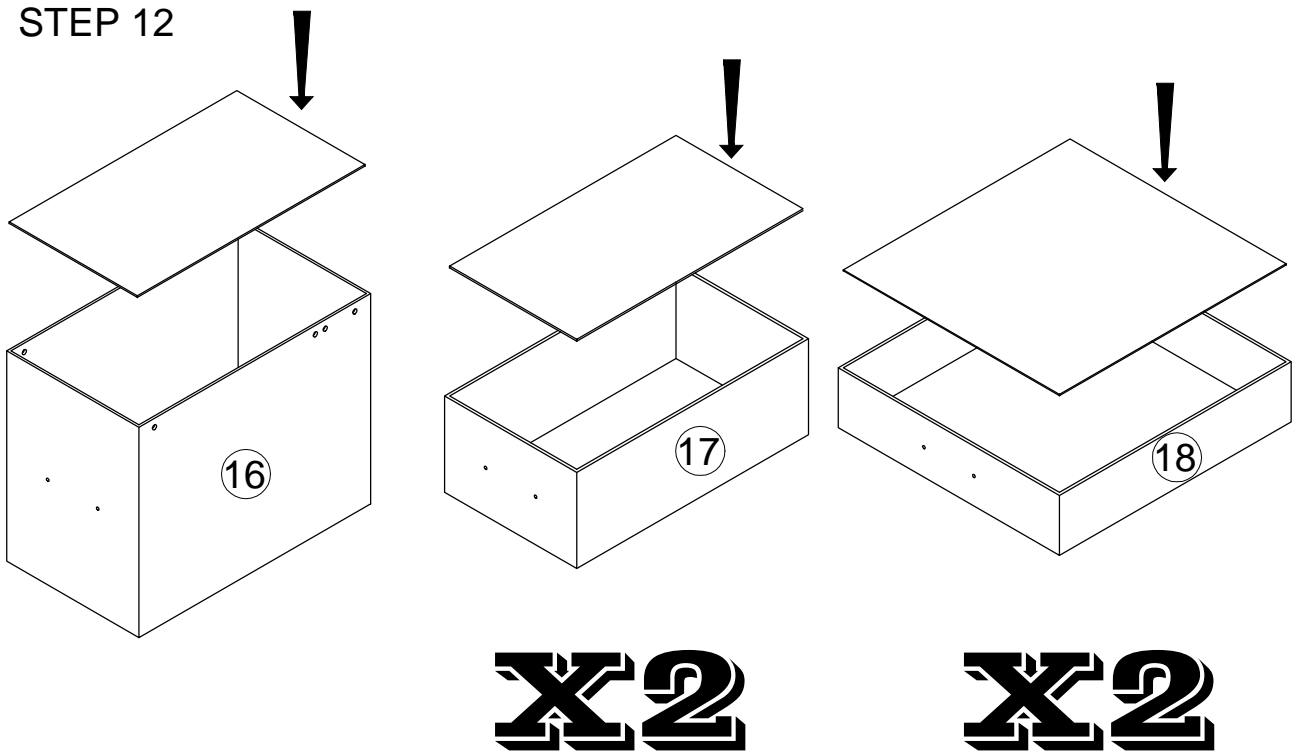
D ST6*40
X4

ASSEMBLY INSTRUCTION

STEP 11

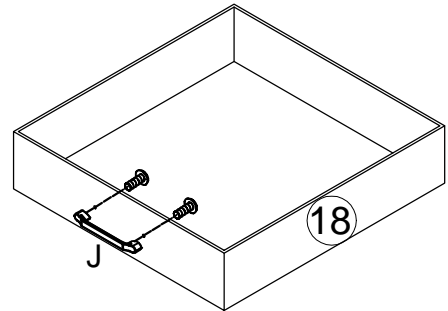
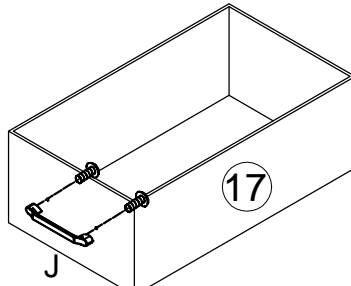
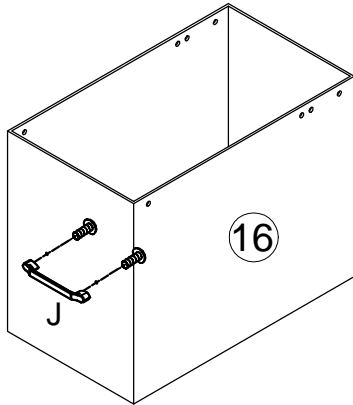


STEP 12



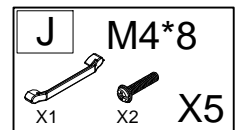
ASSEMBLY INSTRUCTION

STEP 13



X2

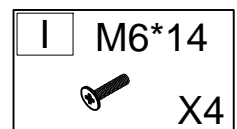
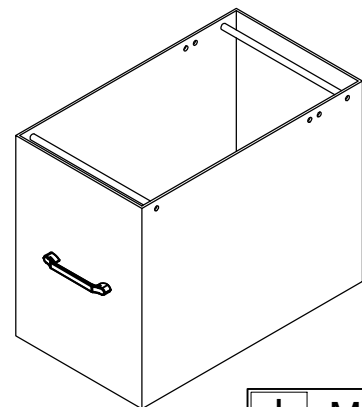
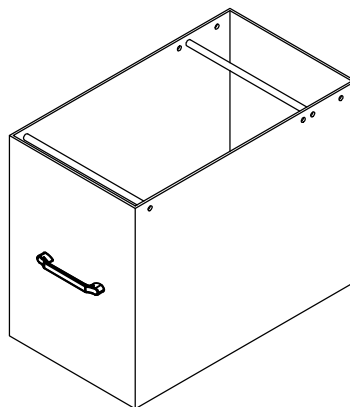
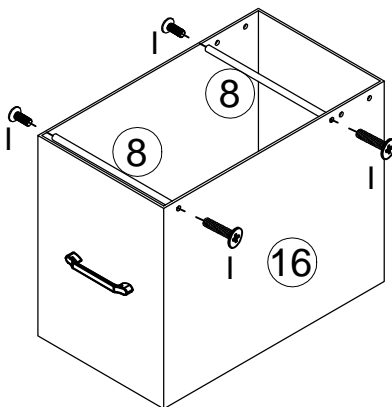
X2



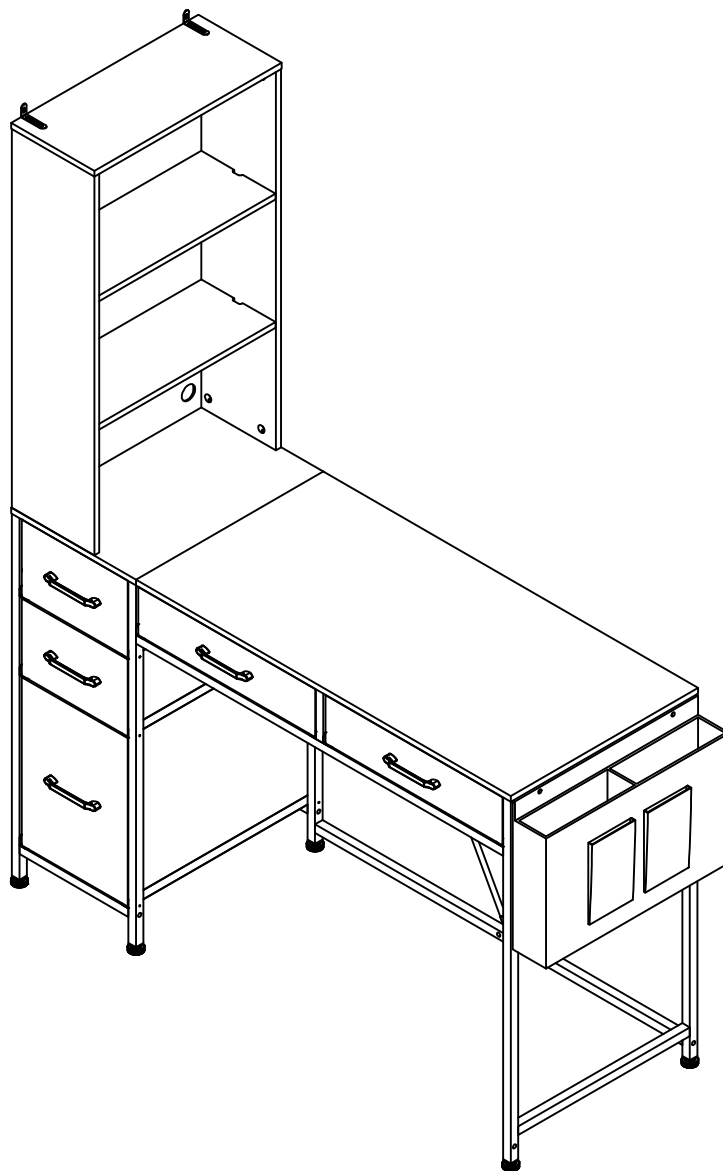
STEP 12



Note that you can adjust it according to your own needs.



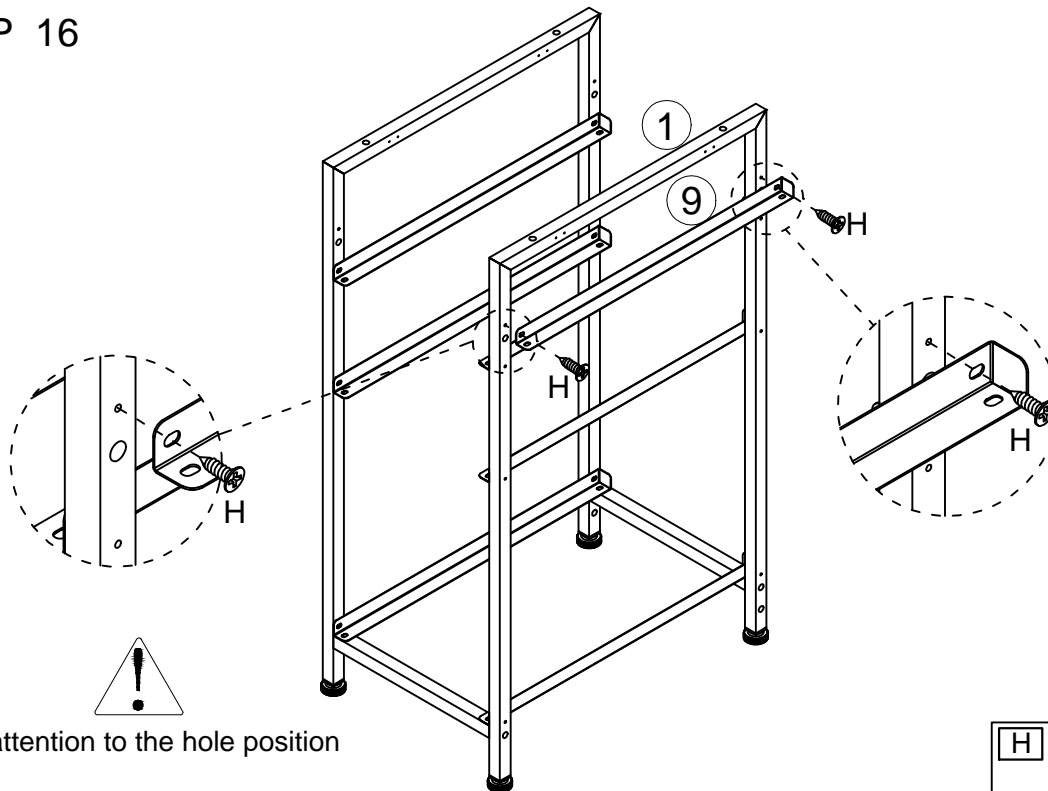
Installation Option I




With the basic components of Step1-Step15, the following installation method is the first.

ASSEMBLY INSTRUCTION

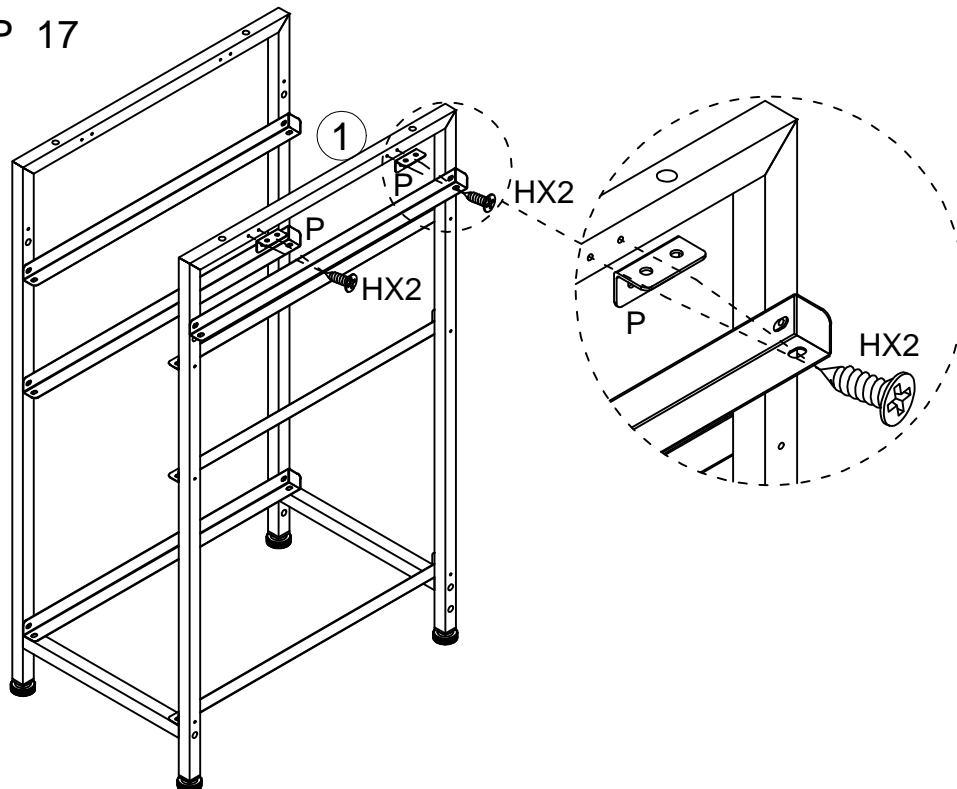
STEP 16


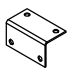


Pay attention to the hole position

H	ST4*10
	
	X2

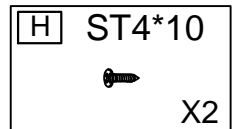
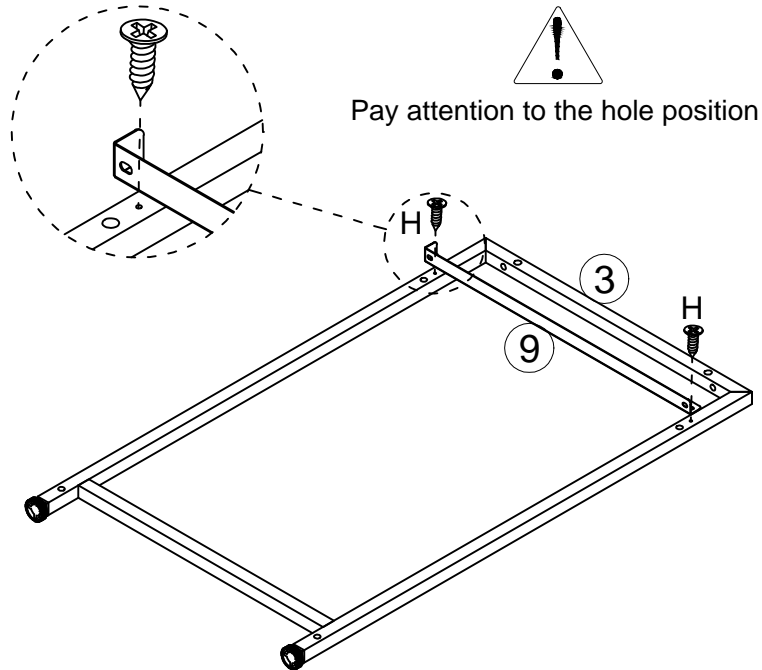
STEP 17



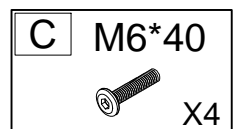
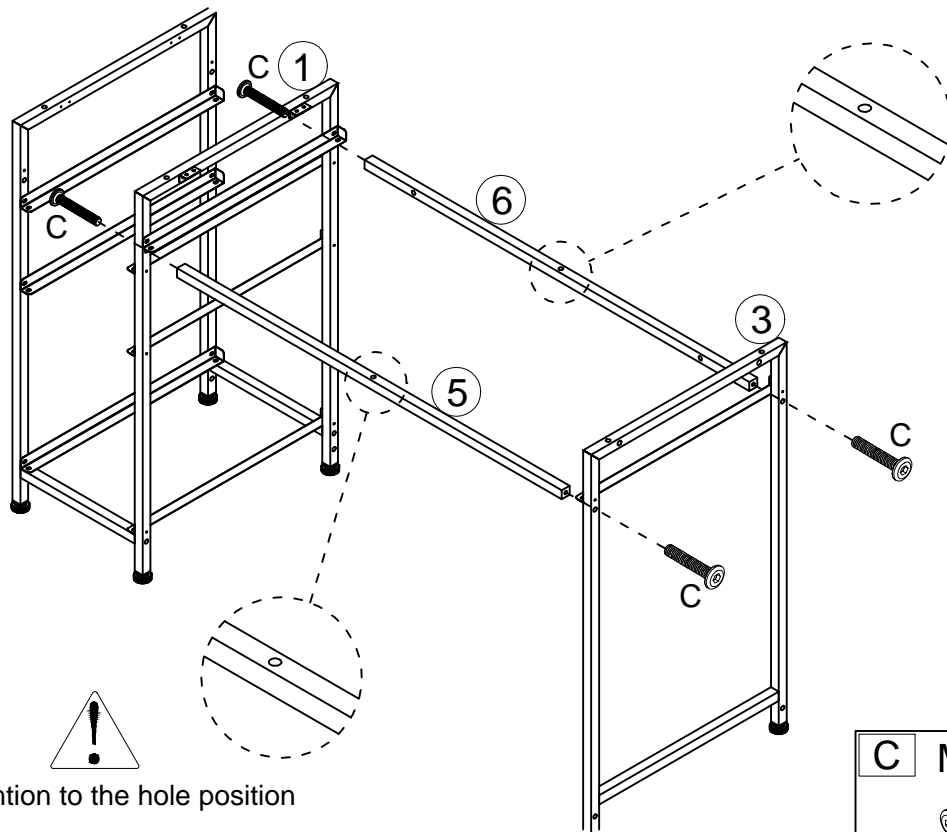
H	ST4*10
	
	X4
P	
	X2

ASSEMBLY INSTRUCTION

STEP 17

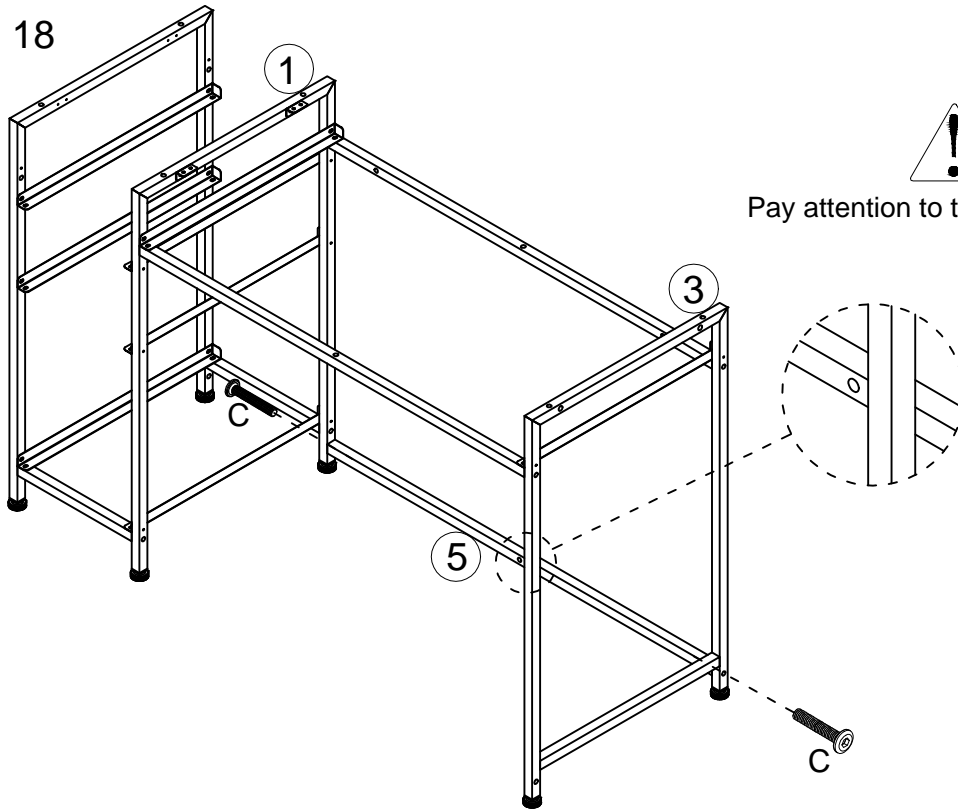


STEP 17




ASSEMBLY INSTRUCTION

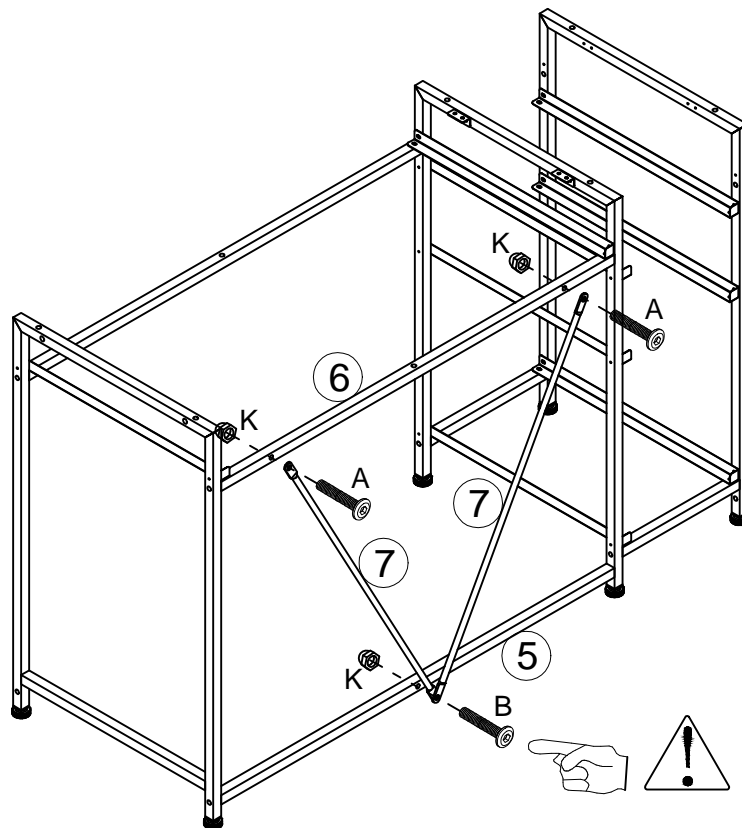
STEP 18






Pay attention to the hole position

C	M6*40
	X2

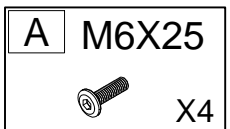
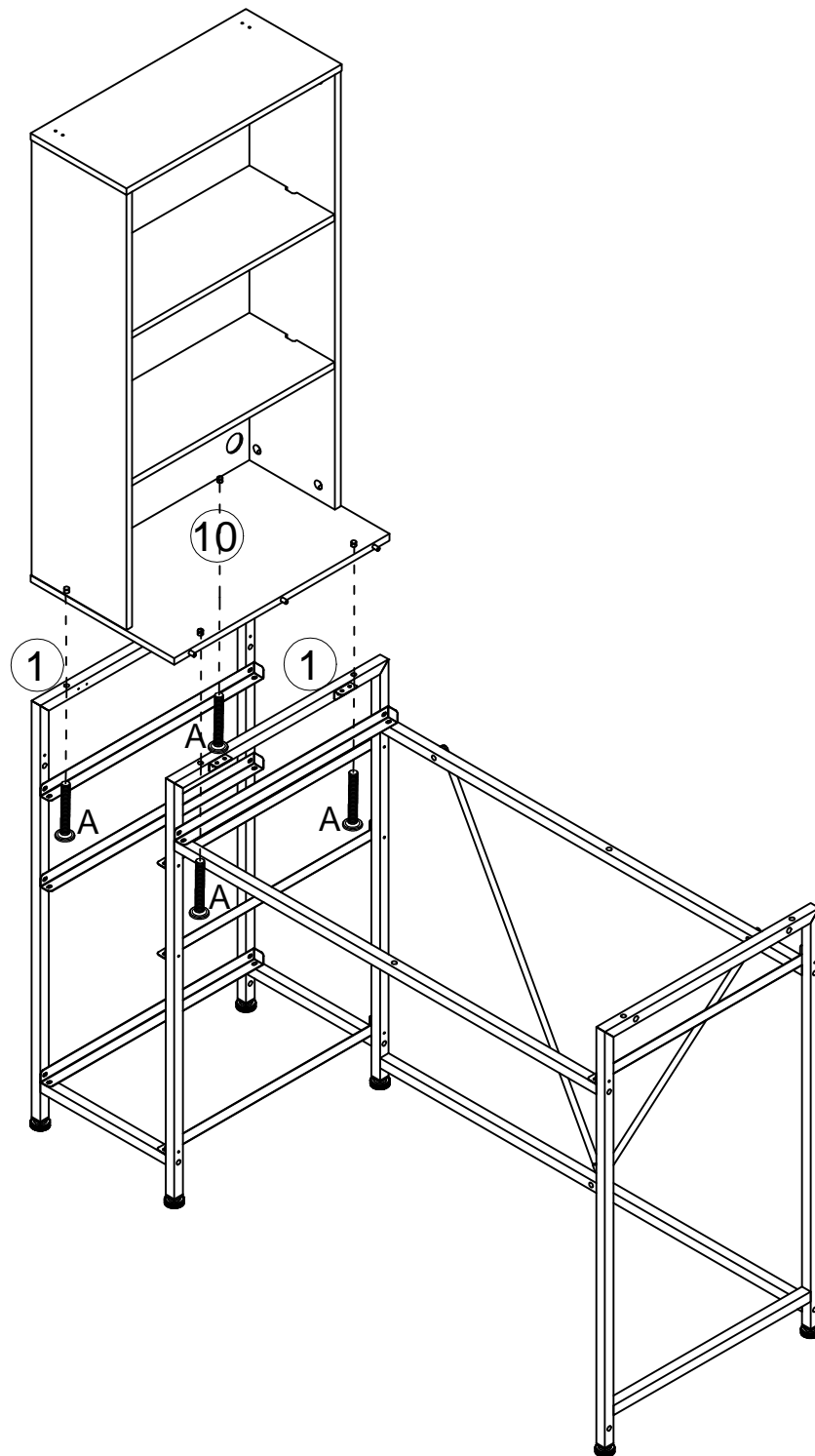
STEP 19



A	M6X25
	X2
B	M6X30
	X1
K	M6
	X3

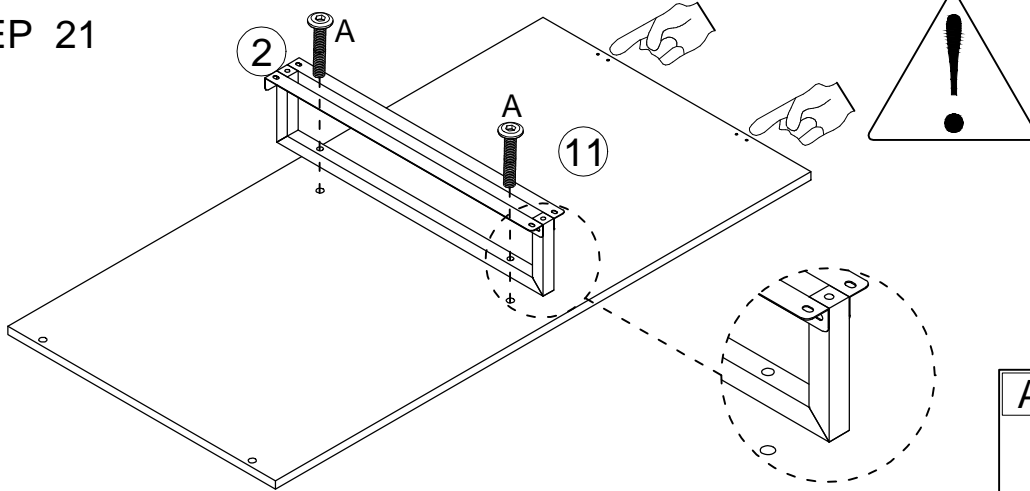
ASSEMBLY INSTRUCTION

STEP 20



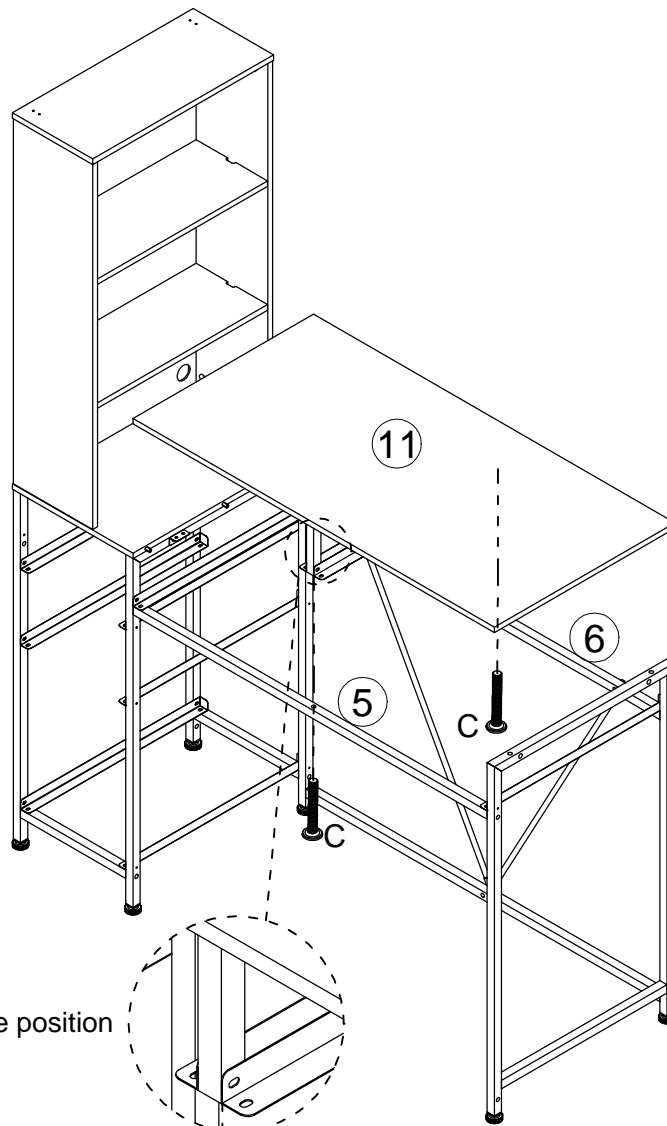
ASSEMBLY INSTRUCTION

STEP 21



A M6X25
X2

STEP 22

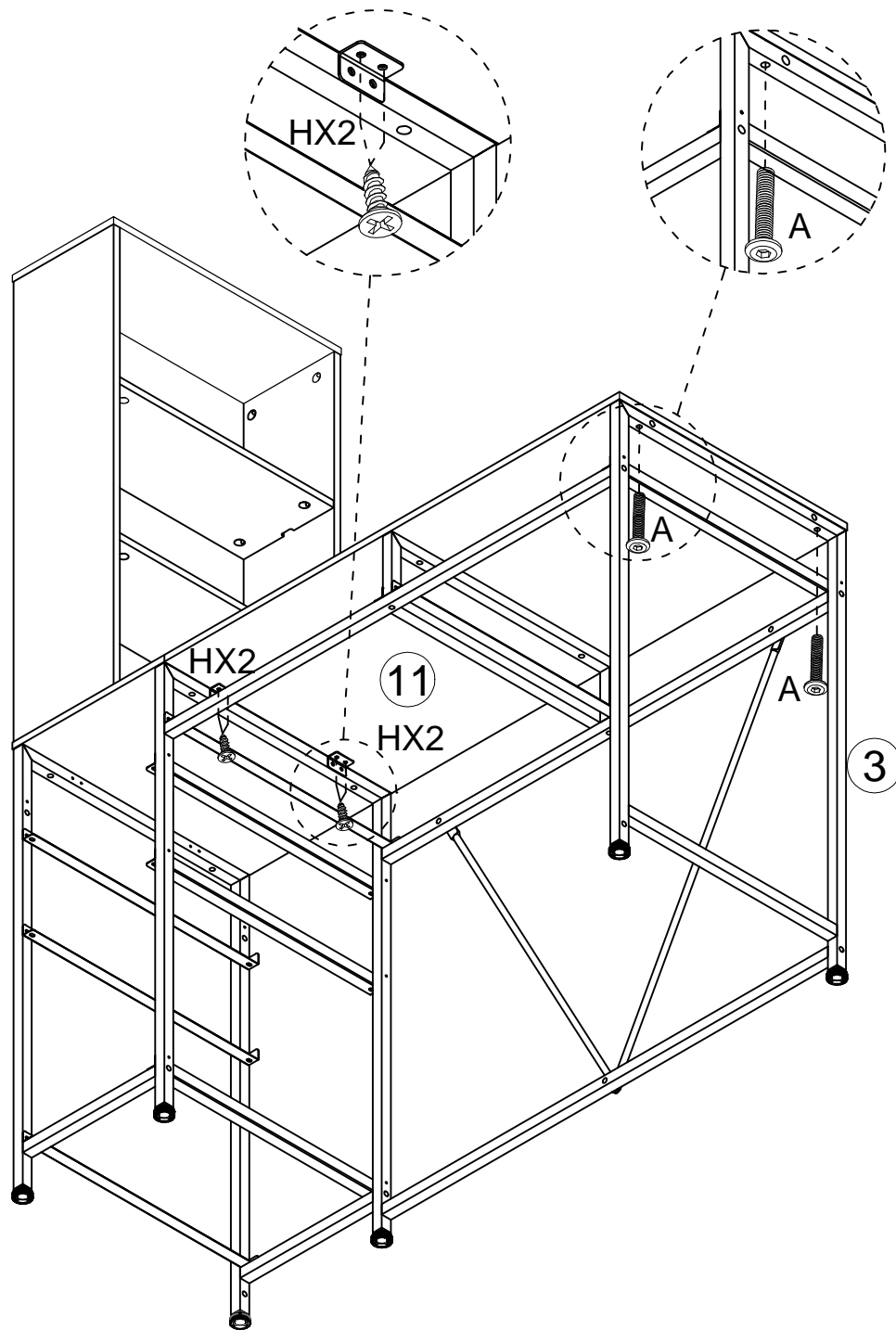




Pay attention to the hole position

C M6*40
X2

ASSEMBLY INSTRUCTION

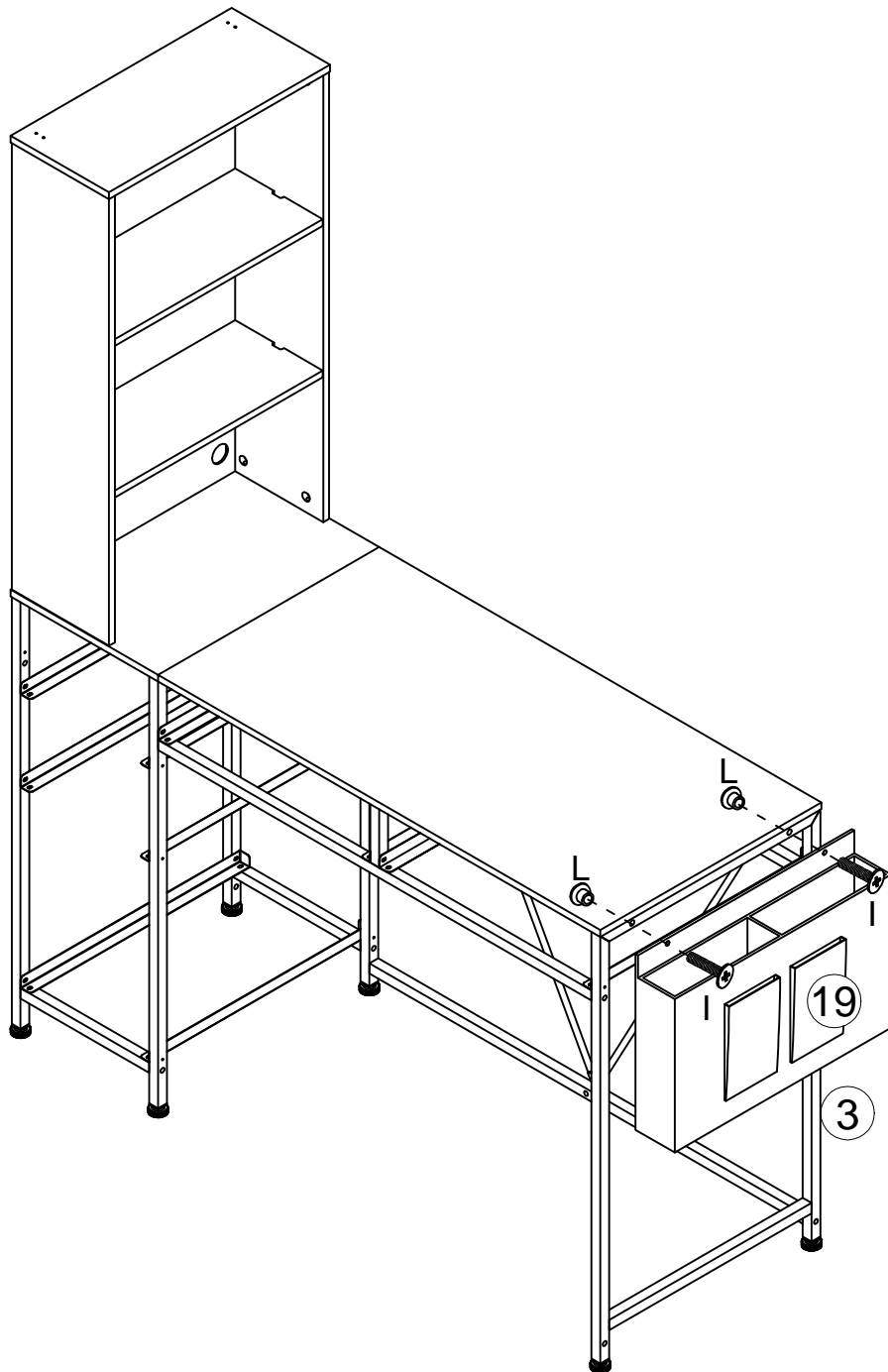
STEP 23





A	M6X25
	X2
H	ST4*10
	X4

ASSEMBLY INSTRUCTION

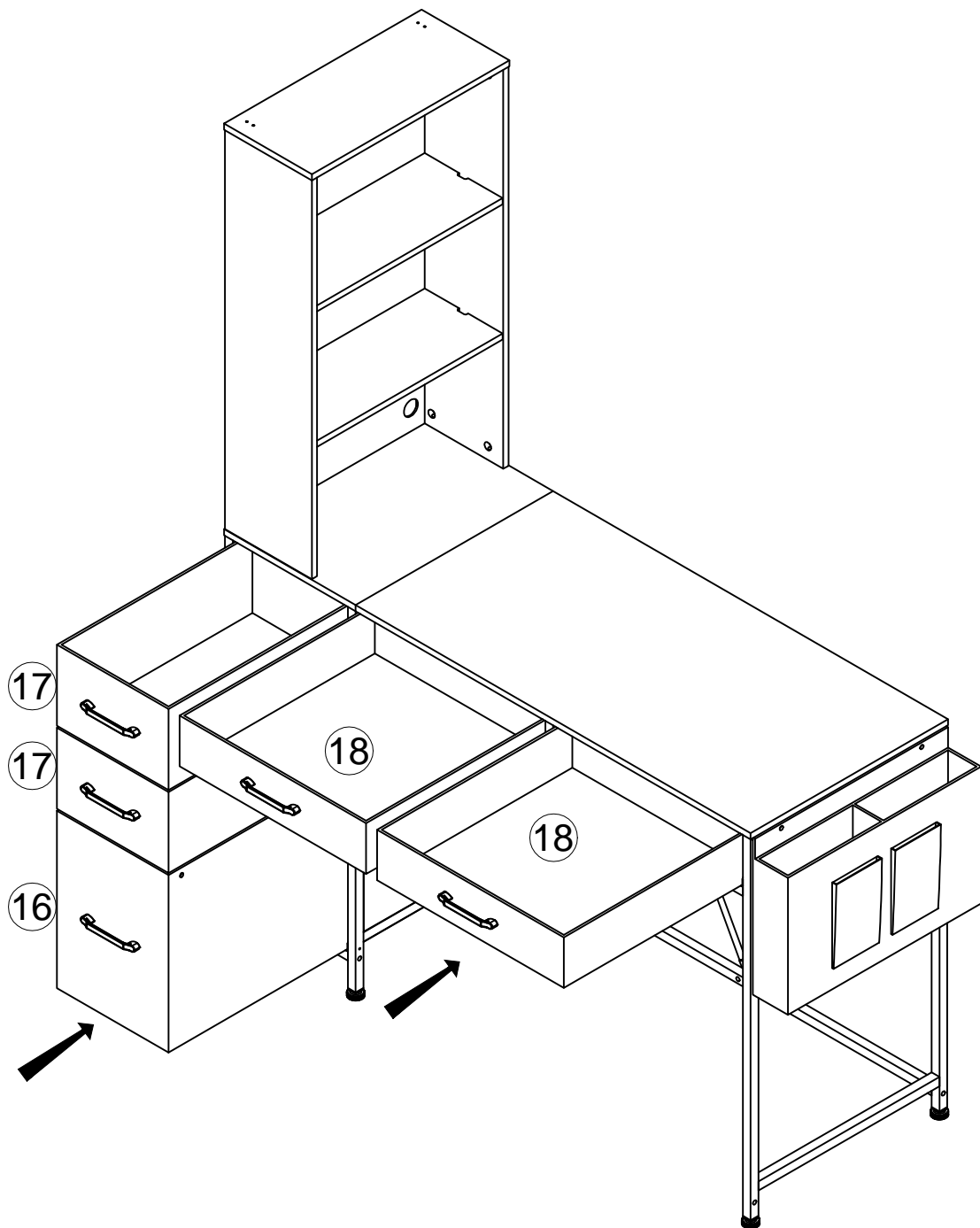
STEP 24



I	M6X14
	X2
L	M6
	X2

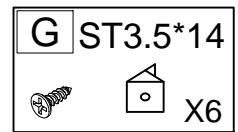
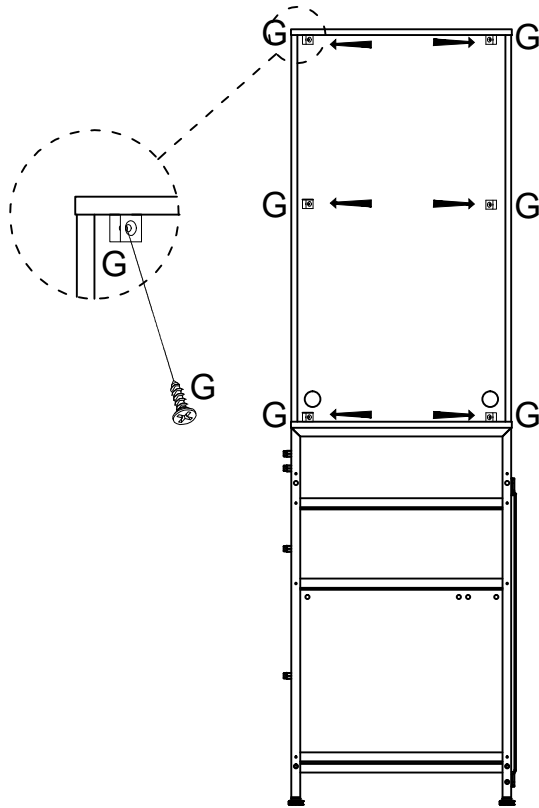
ASSEMBLY INSTRUCTION

STEP 25

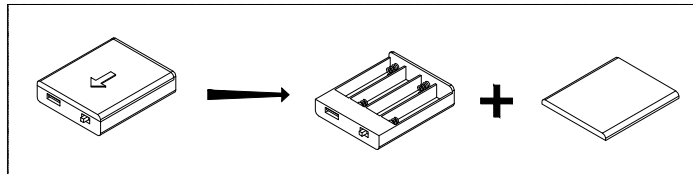


ASSEMBLY INSTRUCTION

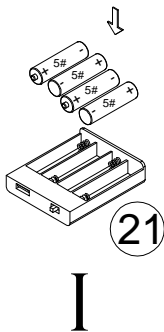
STEP 26



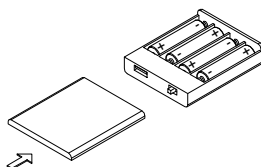
STEP 27



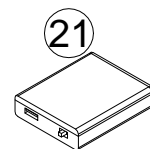
Note: No. 5 battery needs to be purchased.



I



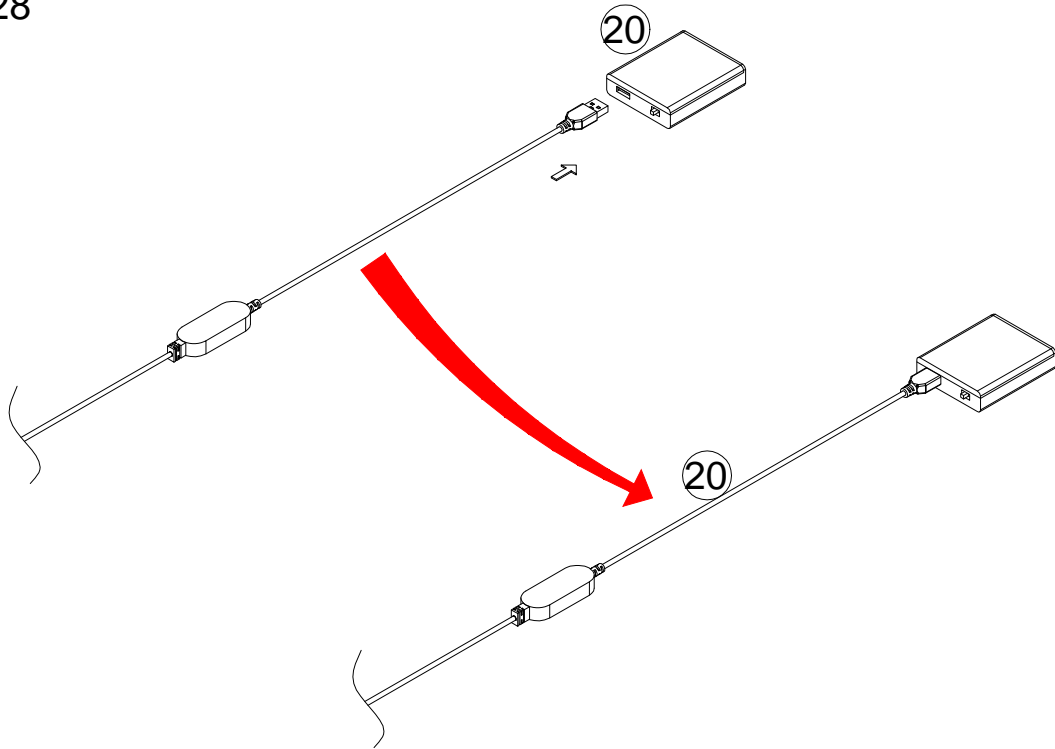
II



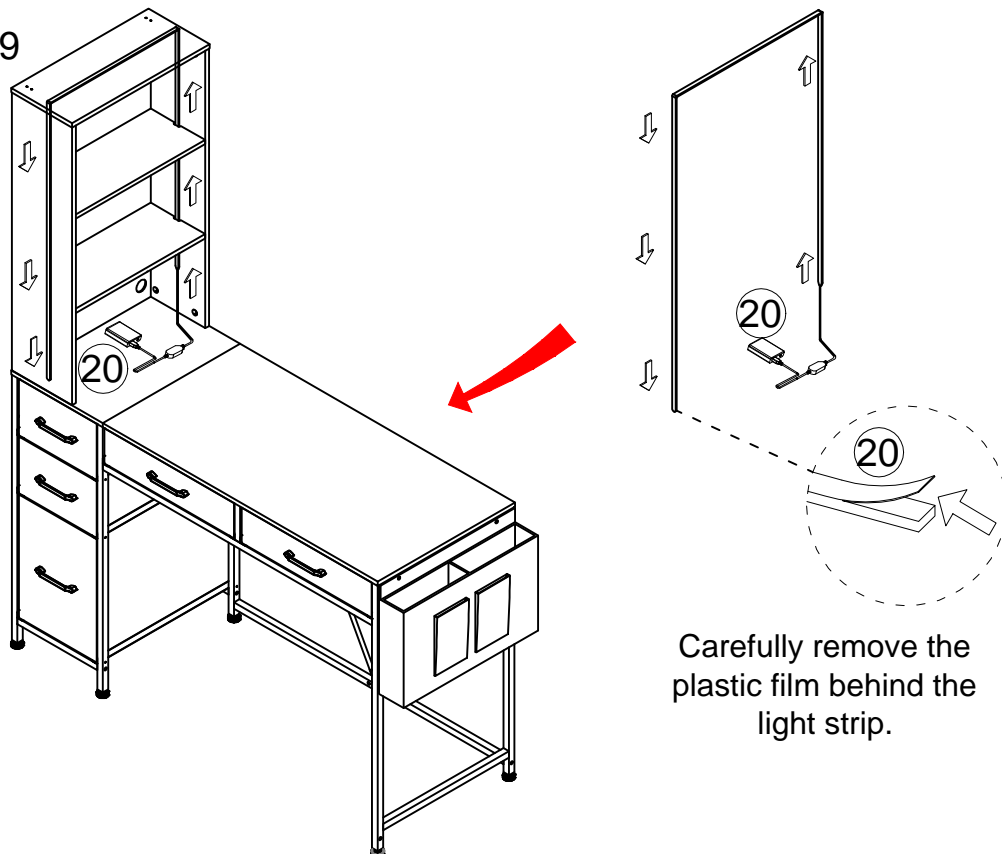
III

ASSEMBLY INSTRUCTION

STEP 28

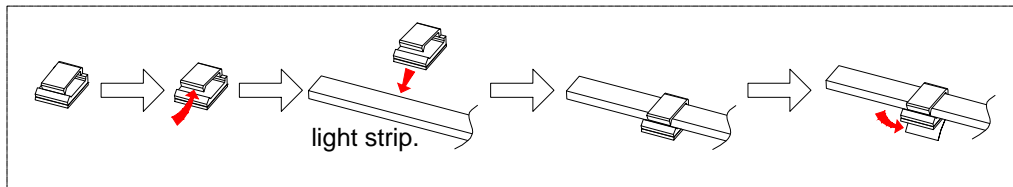


STEP 29

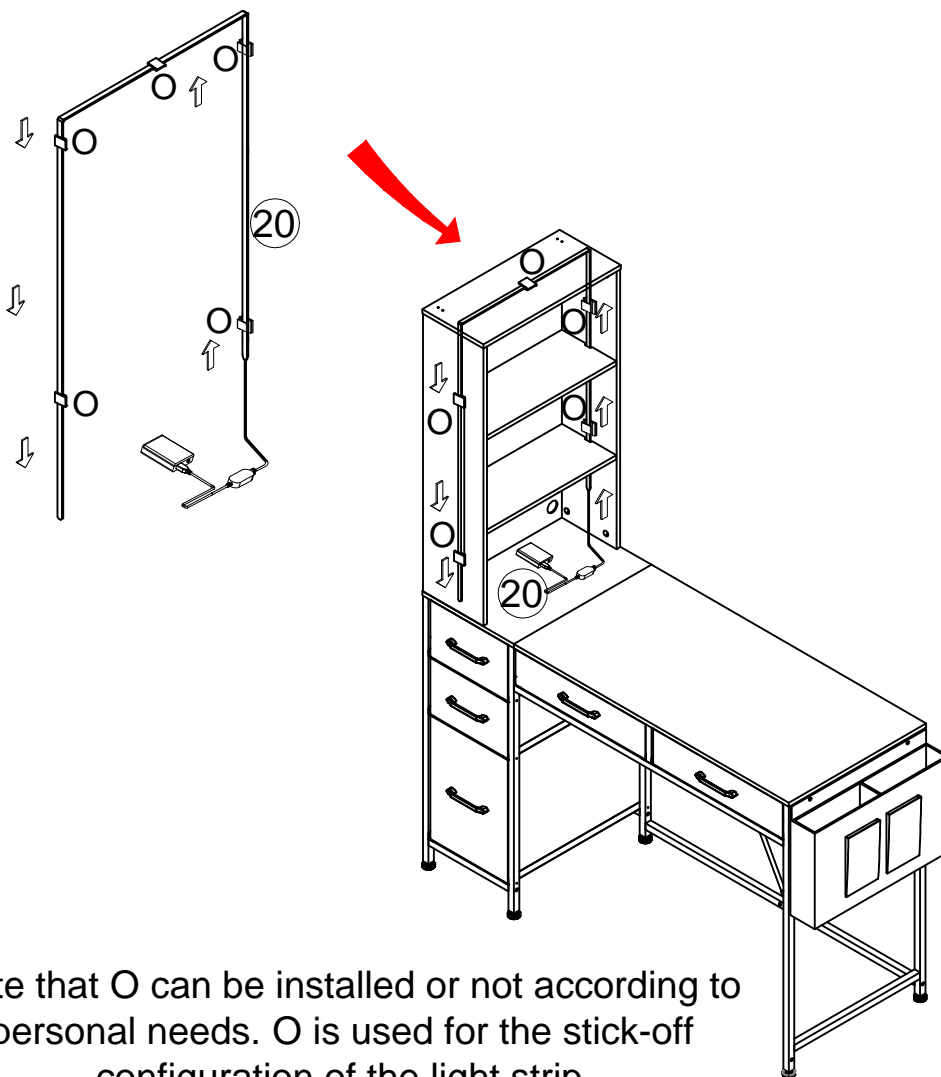


ASSEMBLY INSTRUCTION

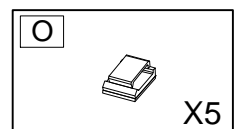
STEP 30



The light strip can be pasted to the desired position according to your own needs.

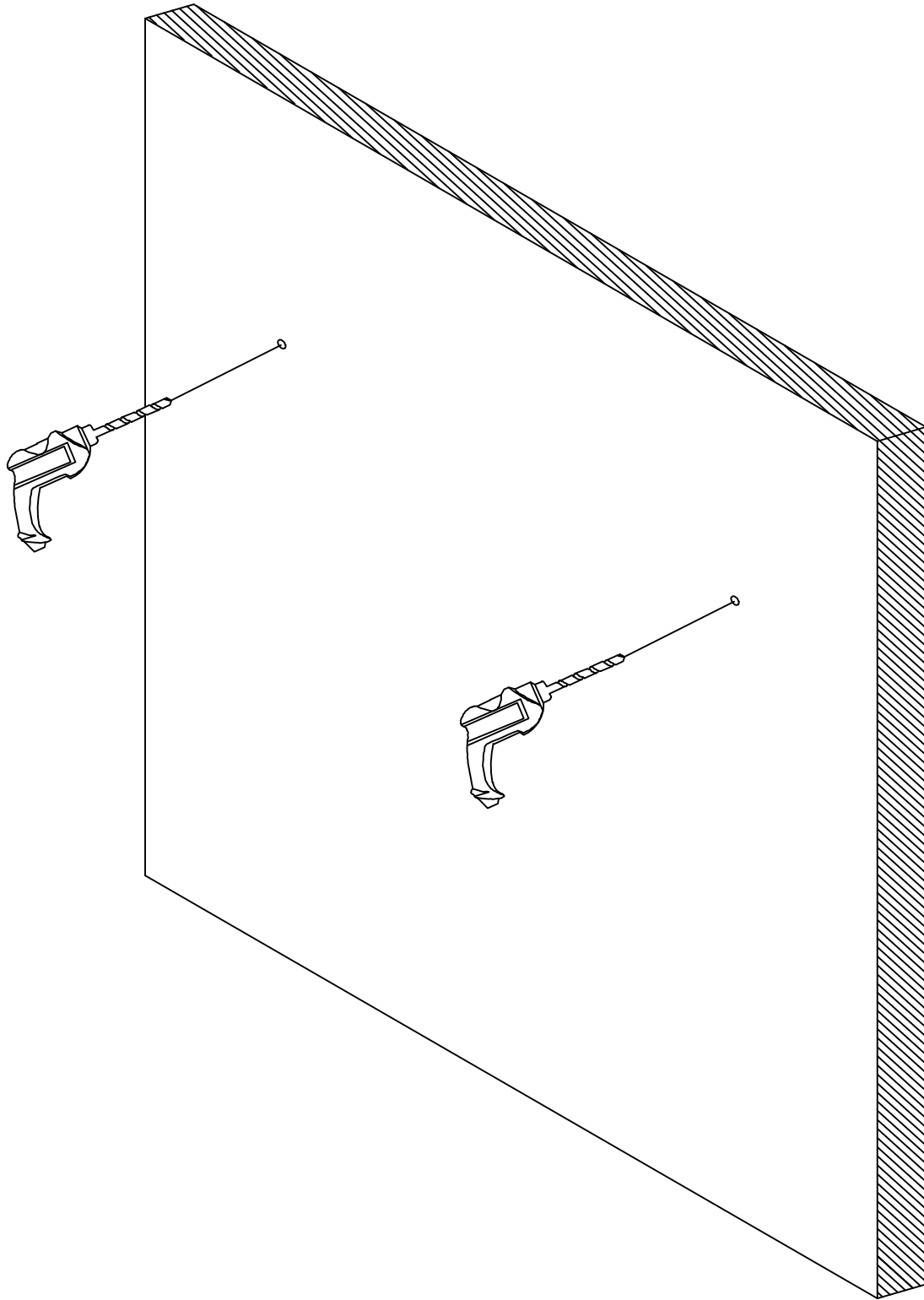


Note that O can be installed or not according to personal needs. O is used for the stick-off configuration of the light strip.



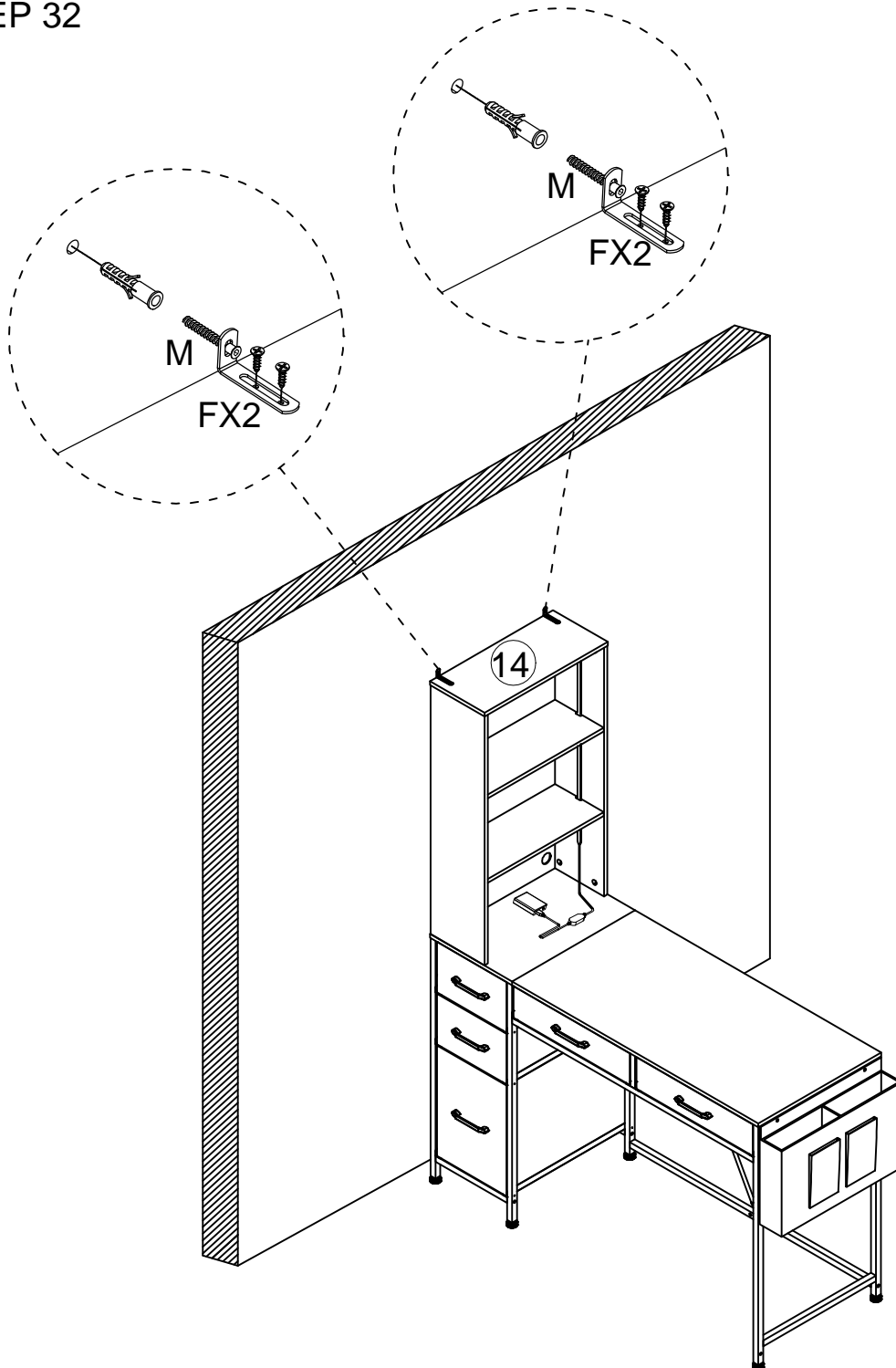
ASSEMBLY INSTRUCTION





STEP 31



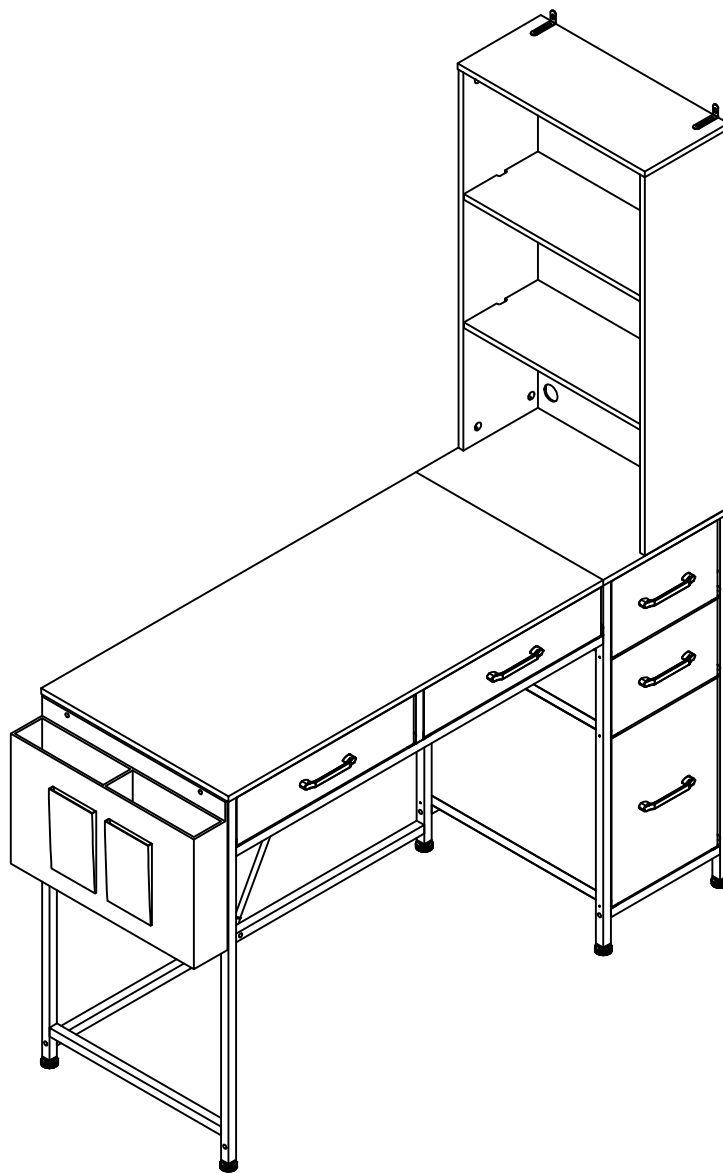
ASSEMBLY INSTRUCTION

STEP 32



F	ST3.5*12	M	ST5*40
		  	
X4		X2	

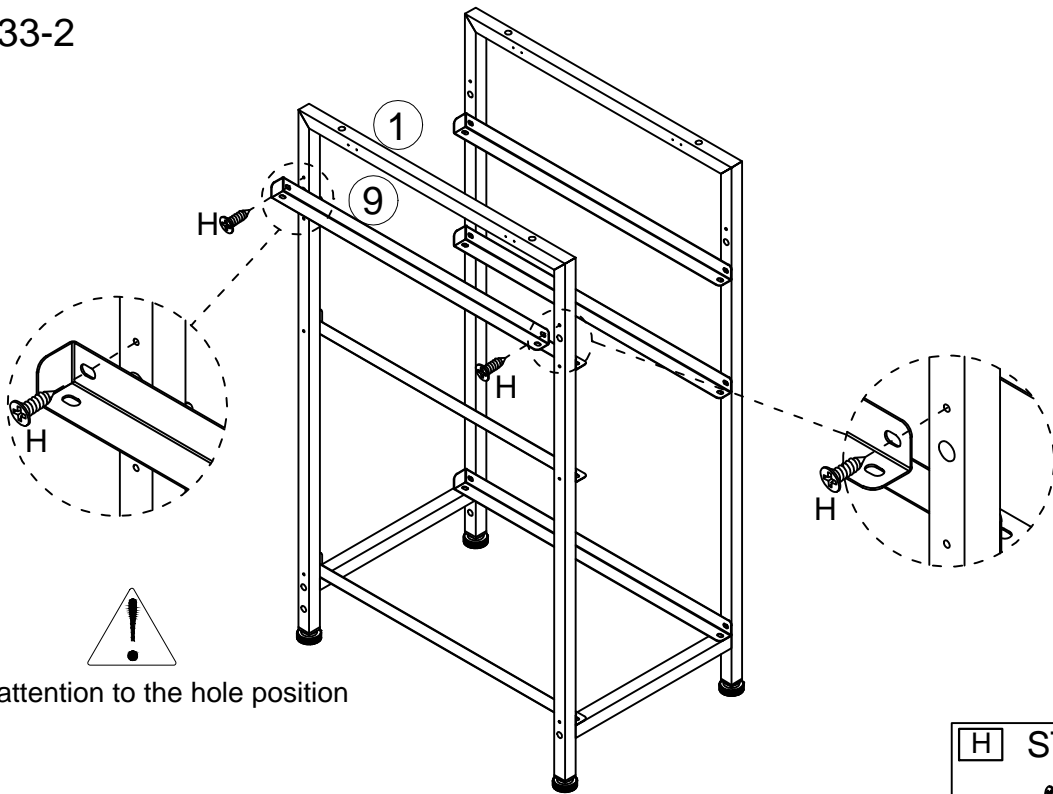
Installation Option II




With the basic components of Step1-Step15,
the following installation method is the first.

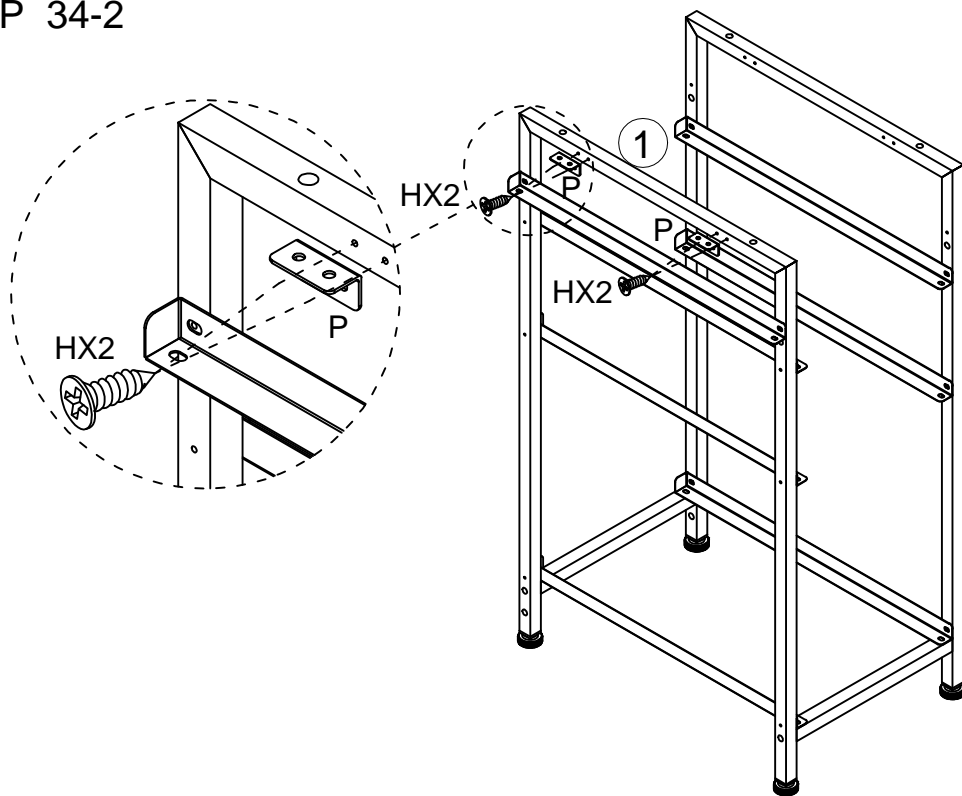
ASSEMBLY INSTRUCTION



STEP 33-2



H	ST4*10
	
	X2

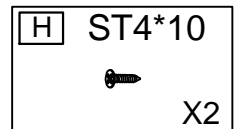
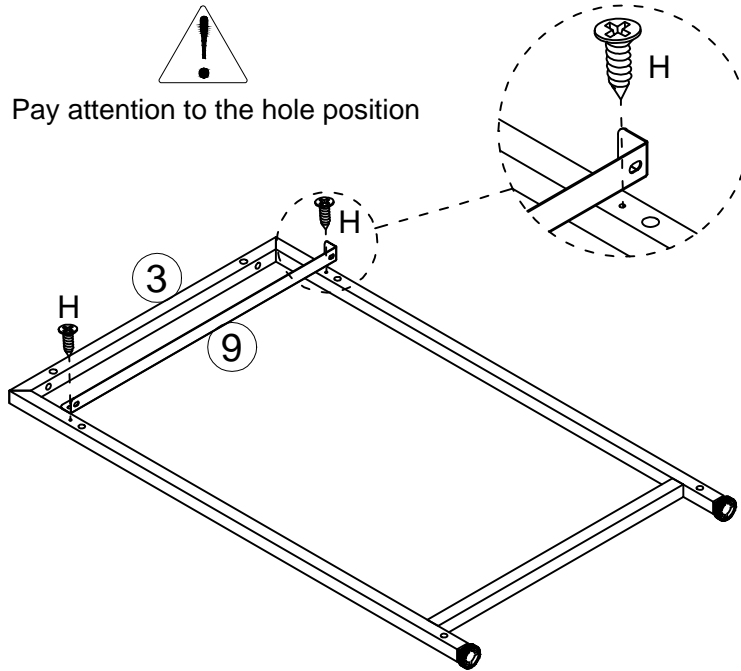
STEP 34-2



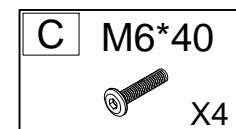
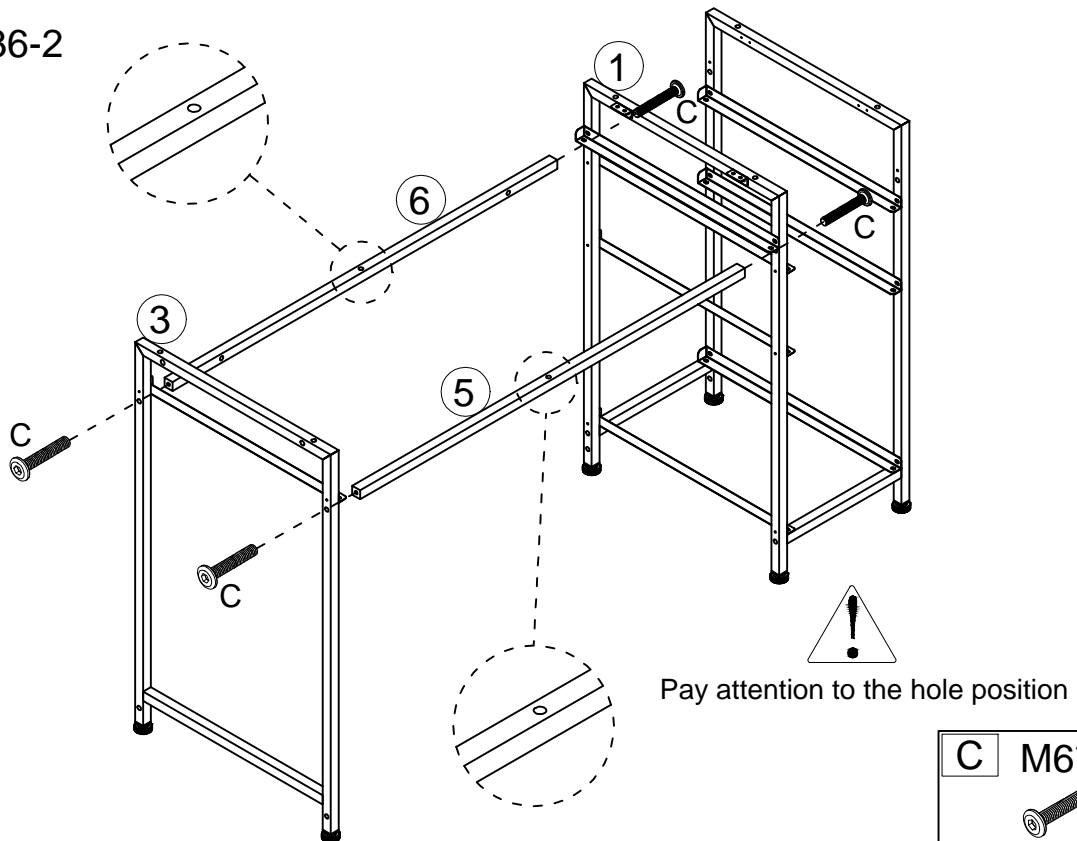
H	ST4*10
	
	X4
P	
	X2

ASSEMBLY INSTRUCTION

STEP 35-2



STEP 36-2

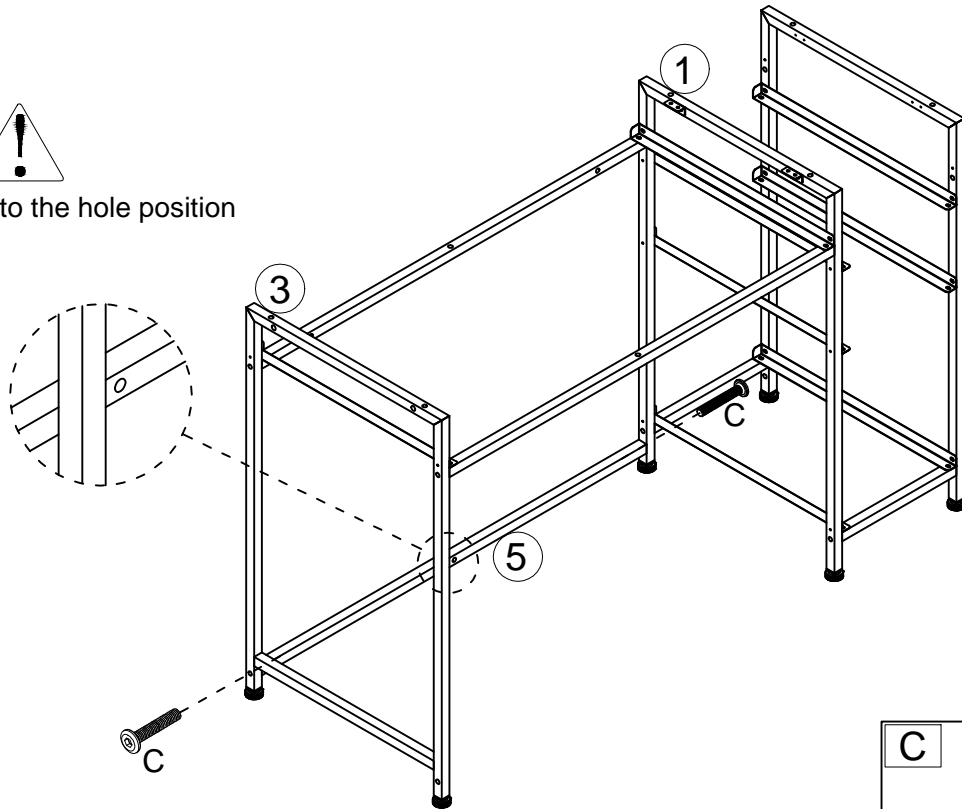



ASSEMBLY INSTRUCTION

STEP 37-2

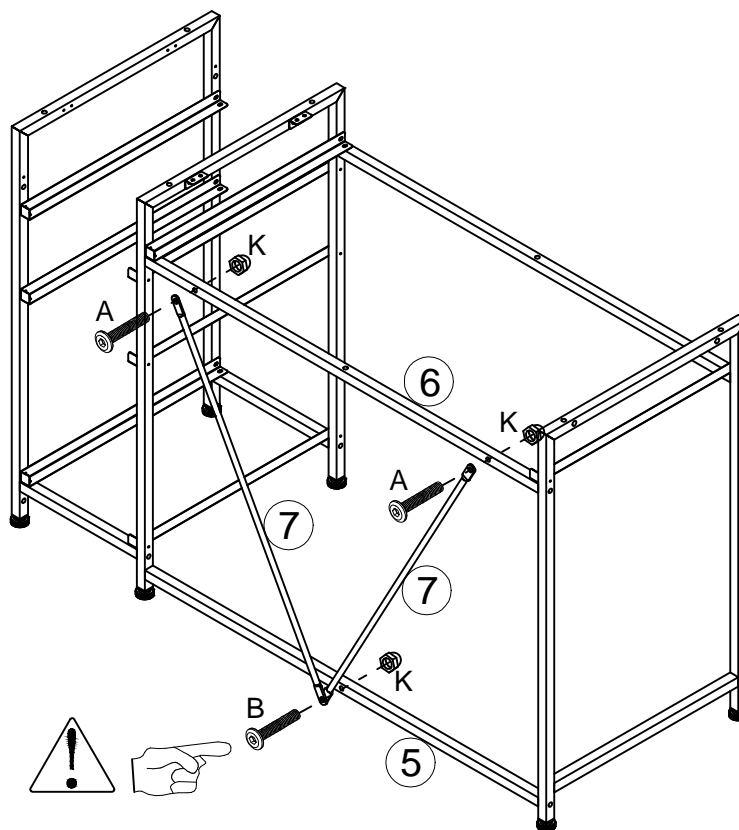





Pay attention to the hole position



C	M6*40
	X2

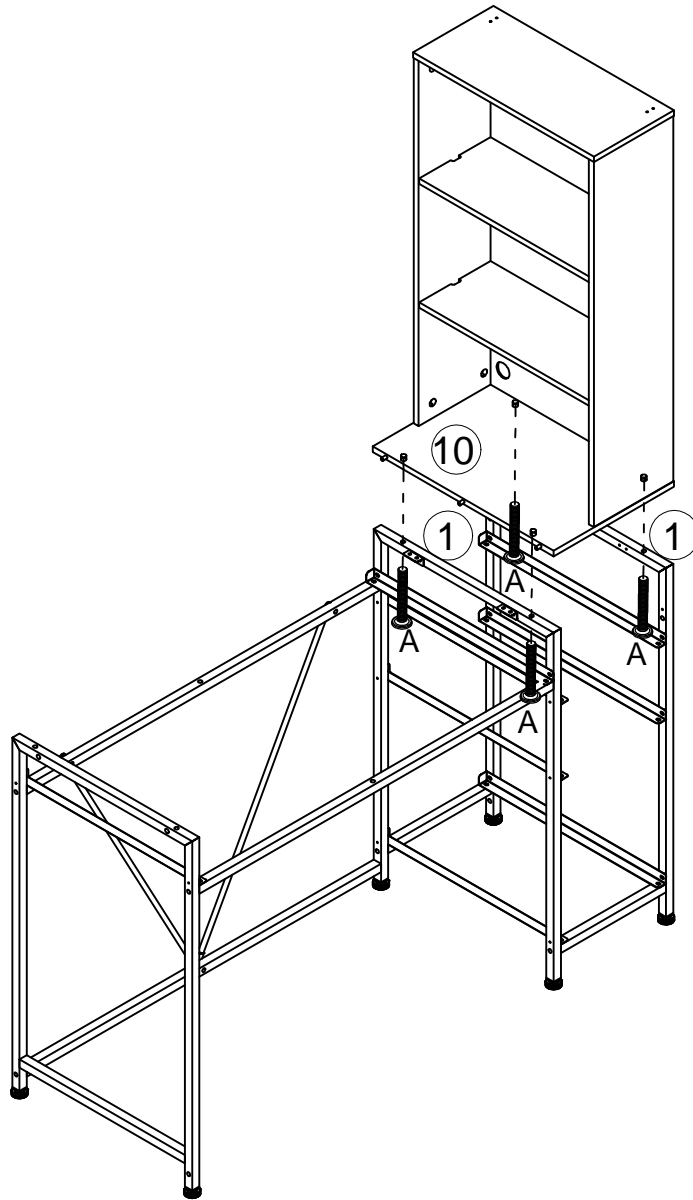
STEP 38-2




A	M6X25
	X2
B	M6X30
	X1
K	M6
	X3

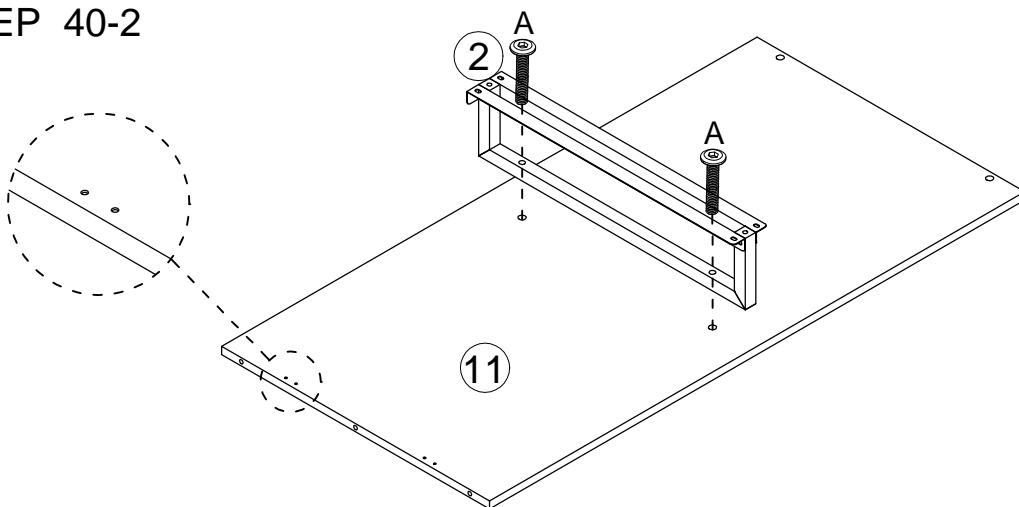
ASSEMBLY INSTRUCTION


STEP 39-2



A M6X25
 X4

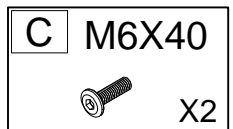
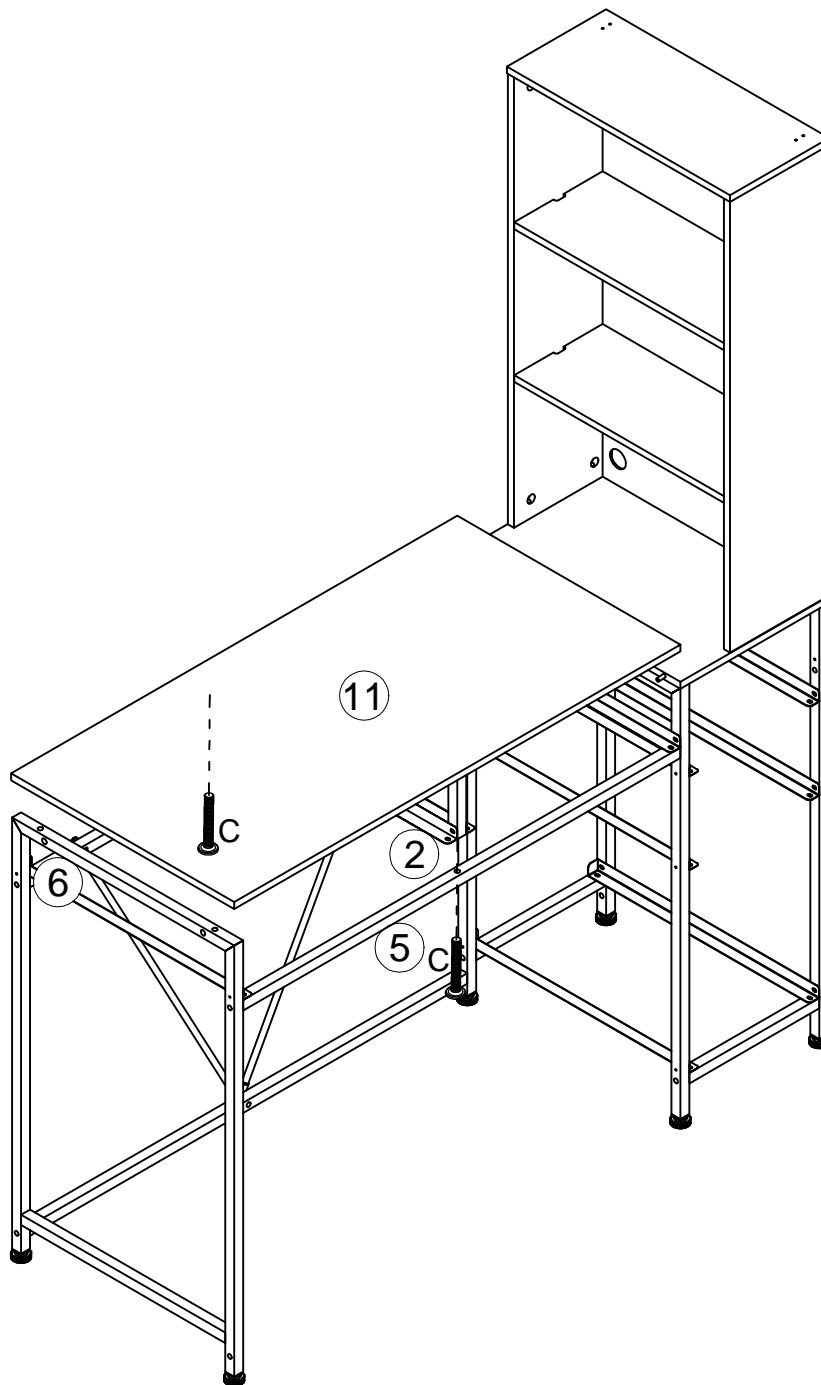
STEP 40-2



A M6X25
 X2

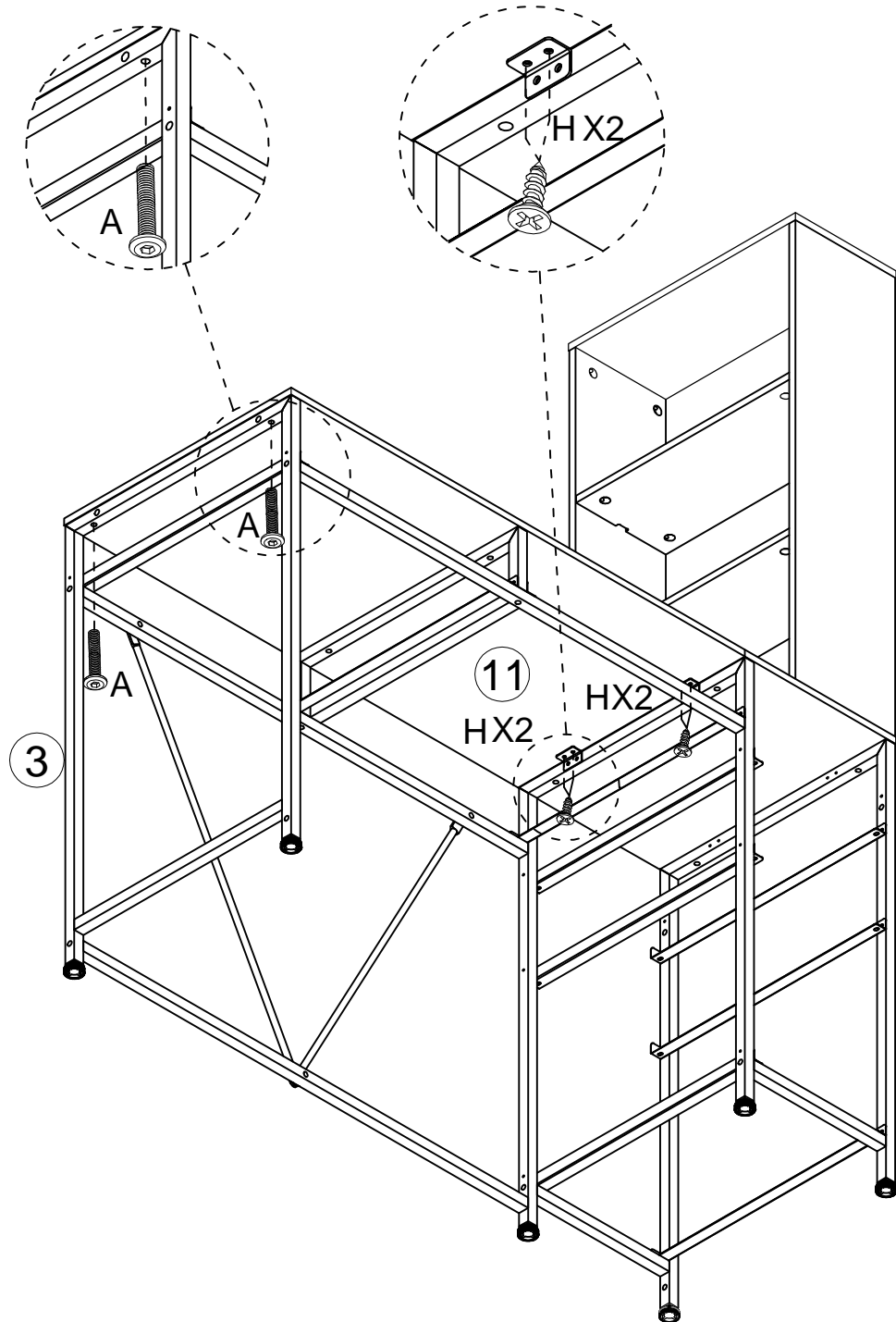
ASSEMBLY INSTRUCTION



STEP 41-2



ASSEMBLY INSTRUCTION

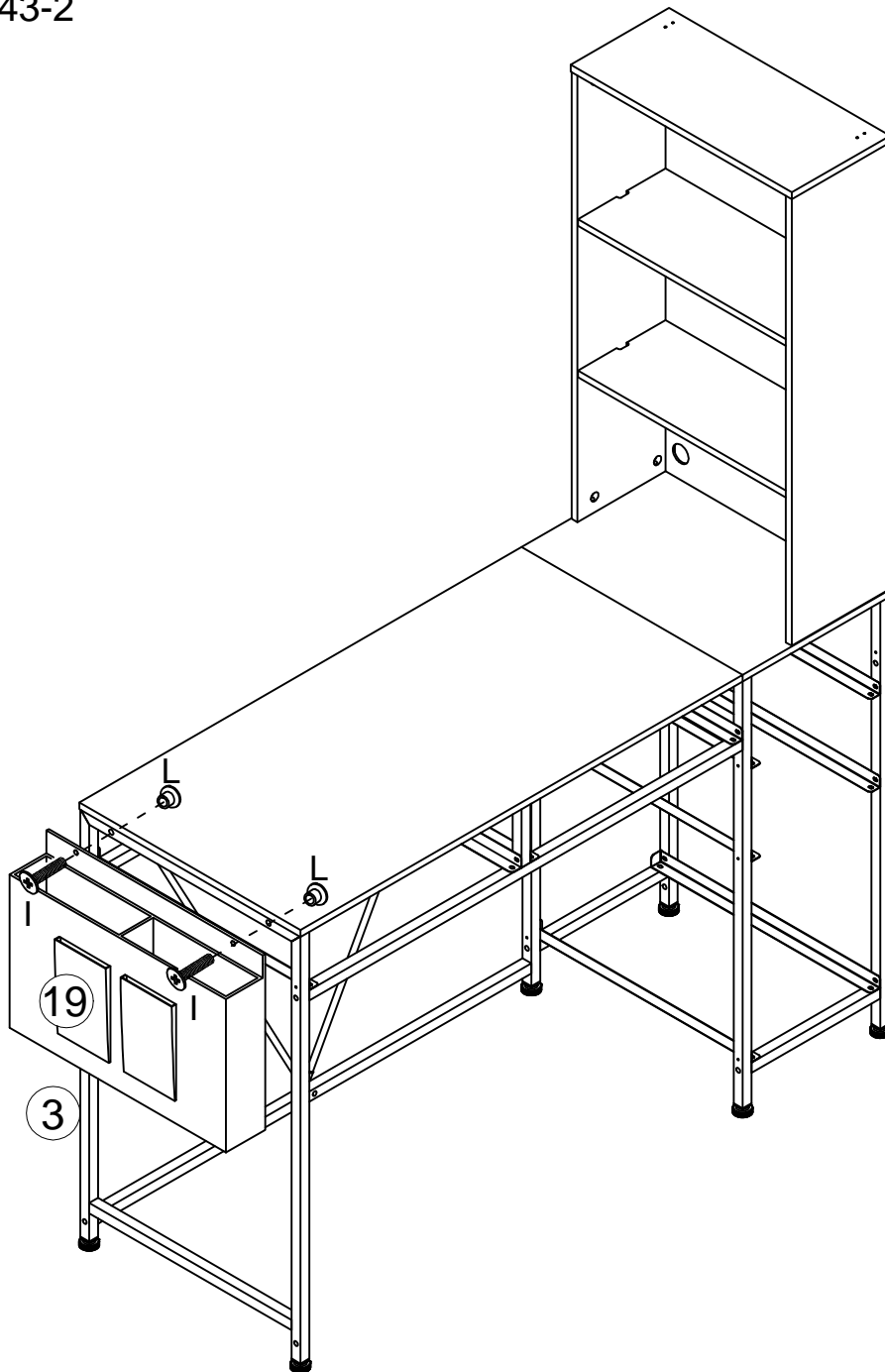
STEP 42-2





A	M6X25
	X2
H	ST4*10
	X4

ASSEMBLY INSTRUCTION

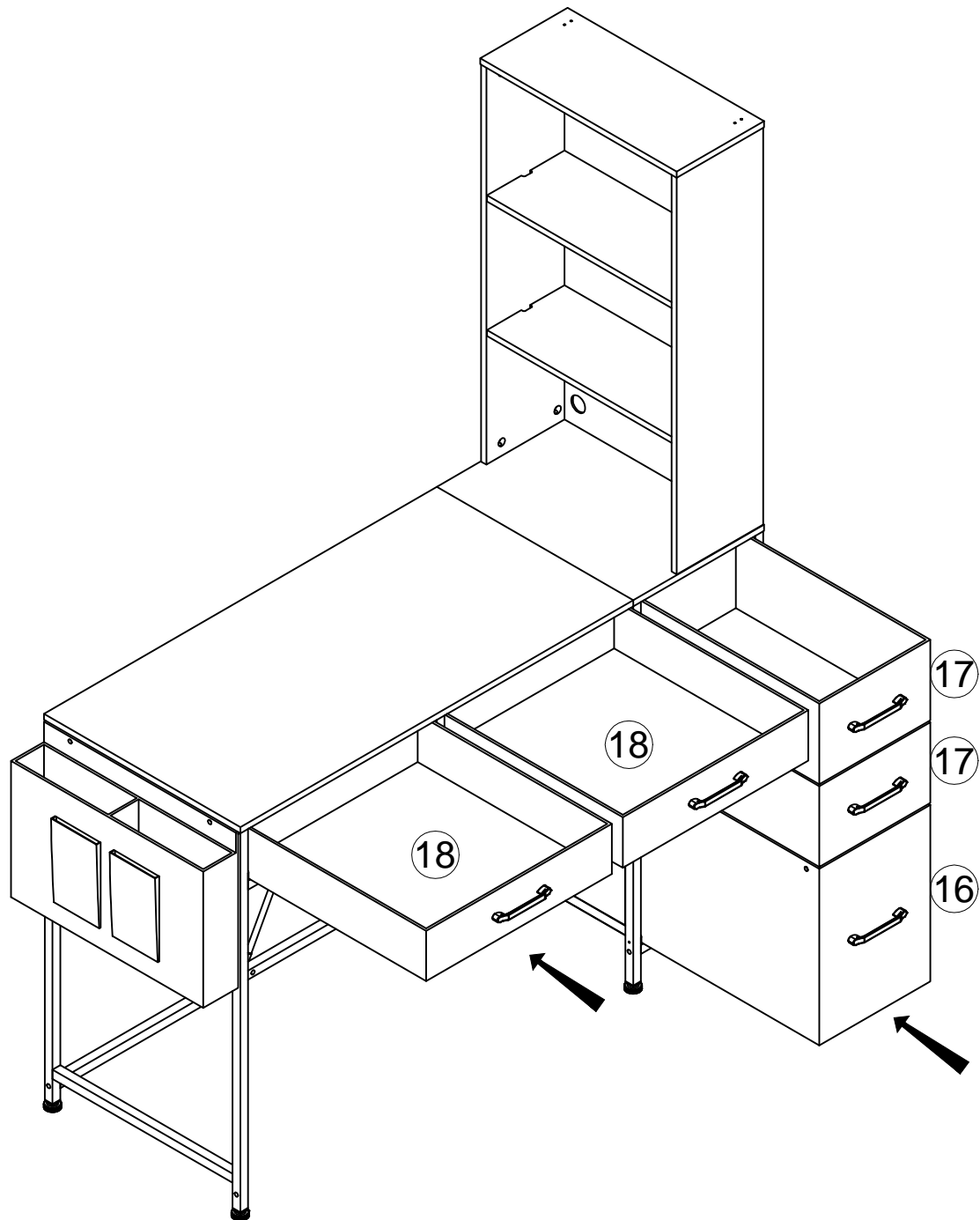
STEP 43-2



I	M6X14
	X2
L	M6
	X2

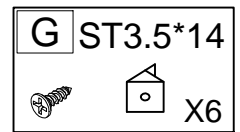
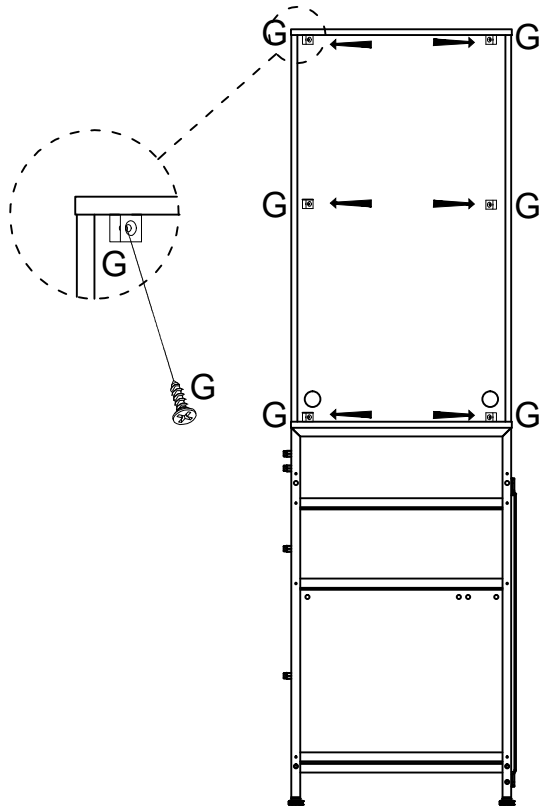
ASSEMBLY INSTRUCTION

STEP 44-2

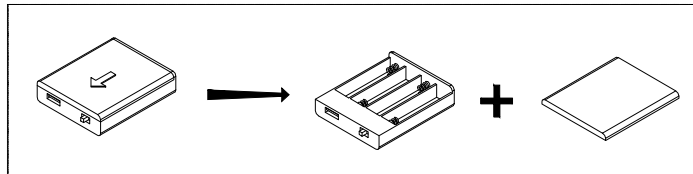


ASSEMBLY INSTRUCTION

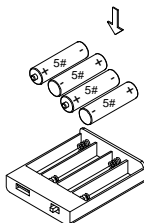
STEP 45-2



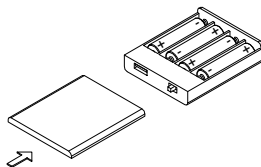
STEP 46-2



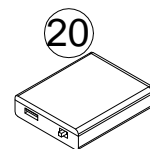
Note: No. 5 battery needs to be purchased.



I



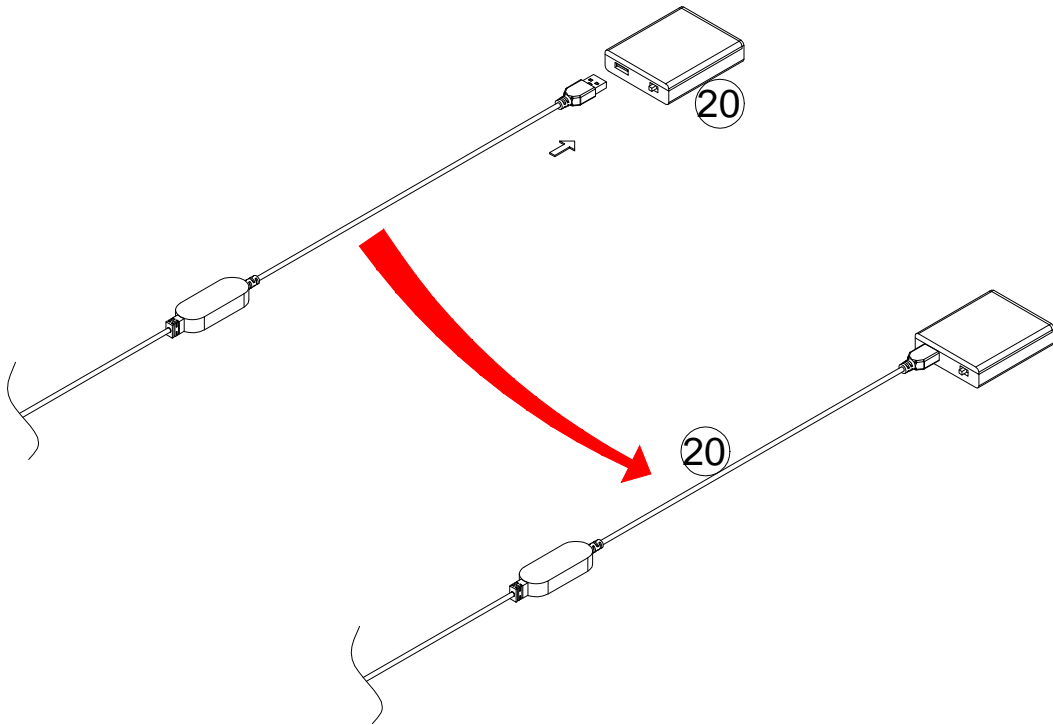
II



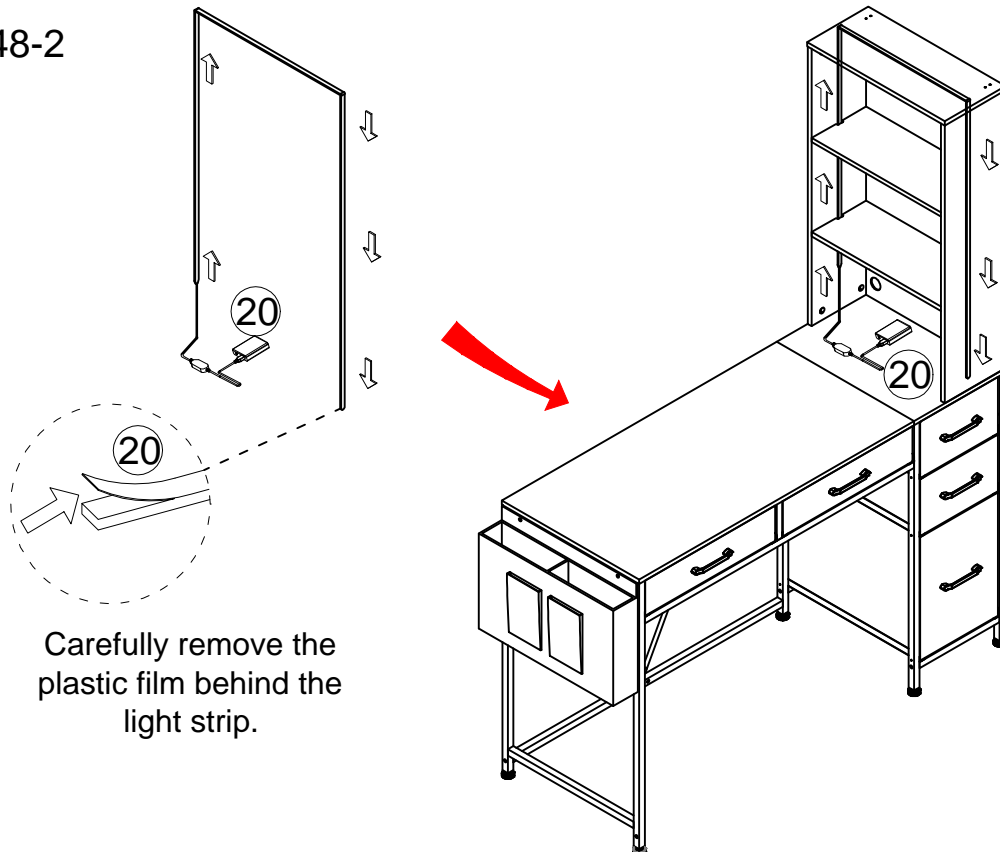
III

ASSEMBLY INSTRUCTION

STEP 47-2

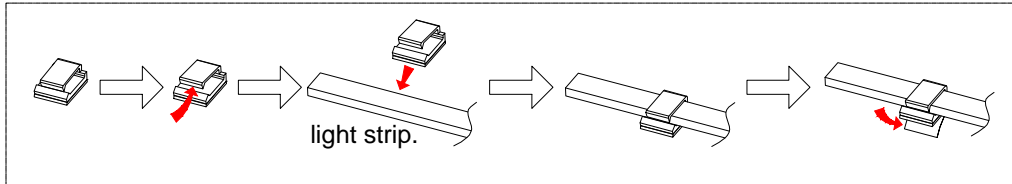


STEP 48-2

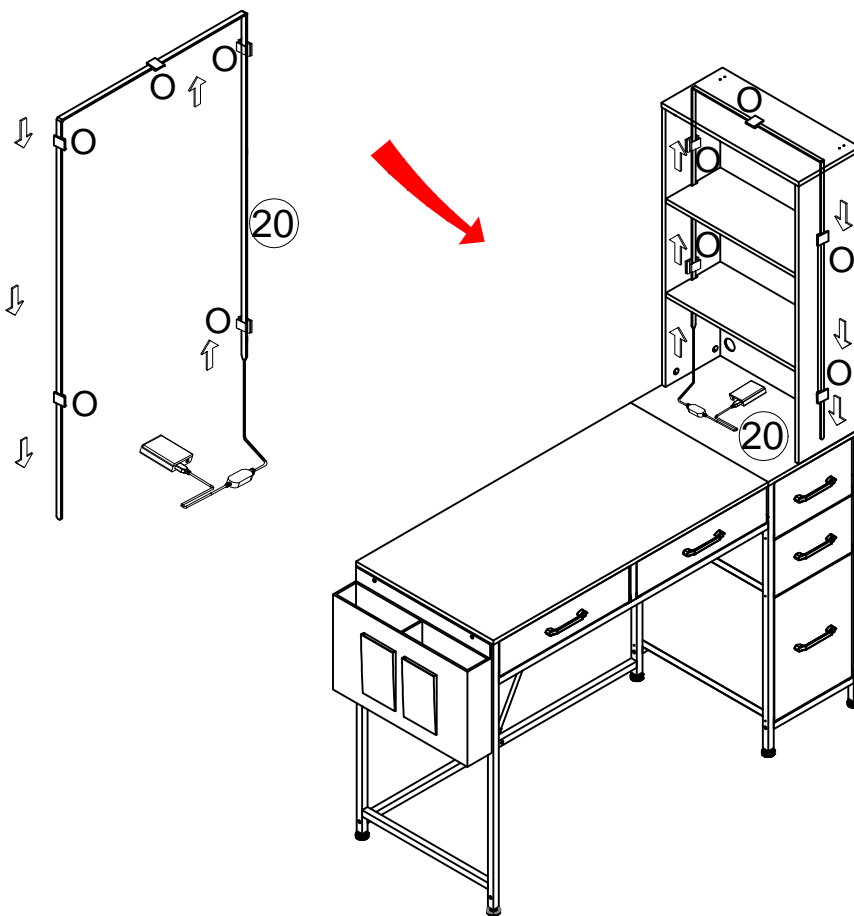


ASSEMBLY INSTRUCTION

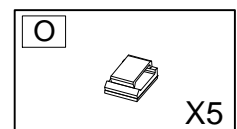
STEP 49-2



The light strip can be pasted to the desired position according to your own needs.

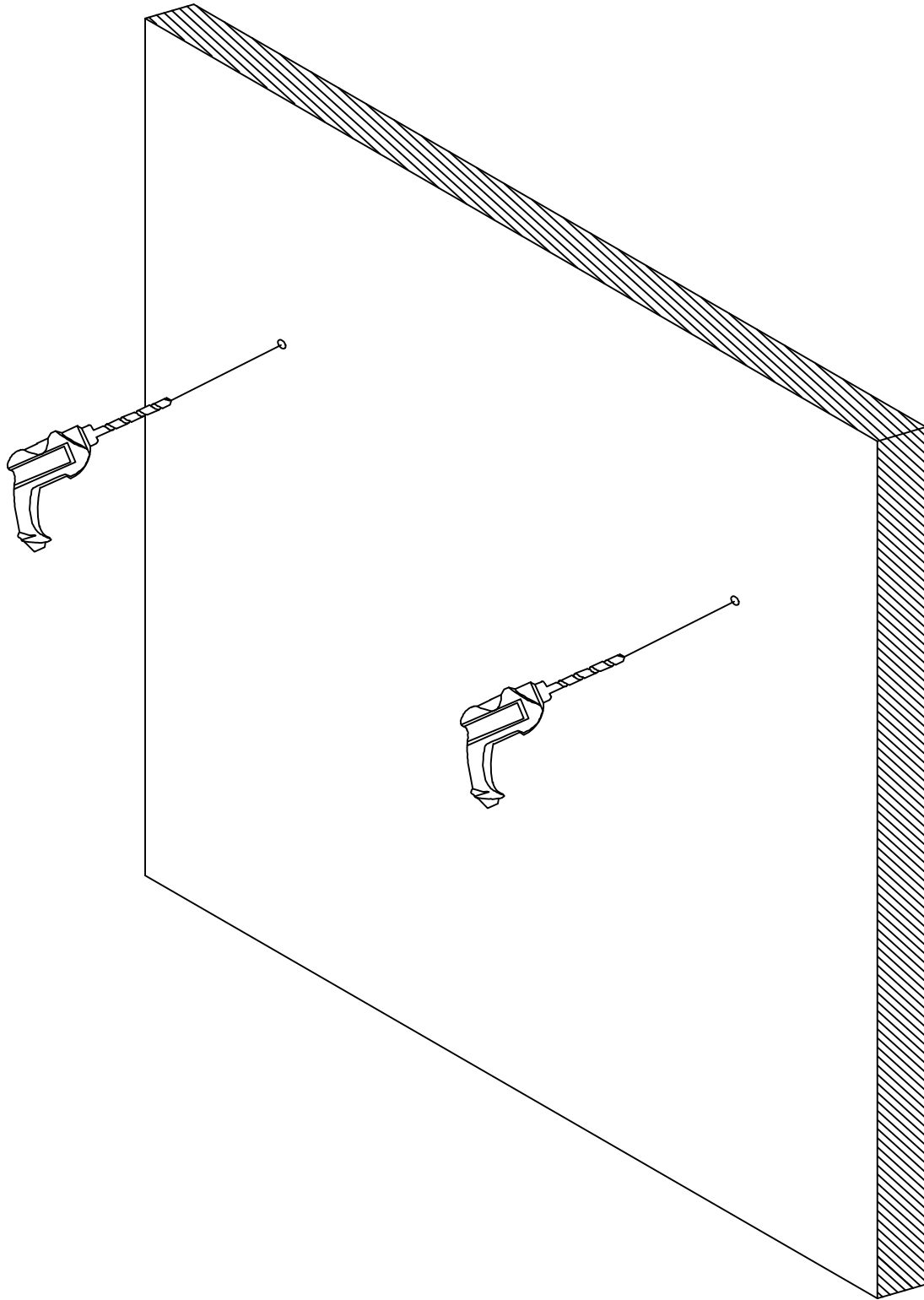


Note that O can be installed or not according to personal needs. O is used for the stick-off configuration of the light strip.



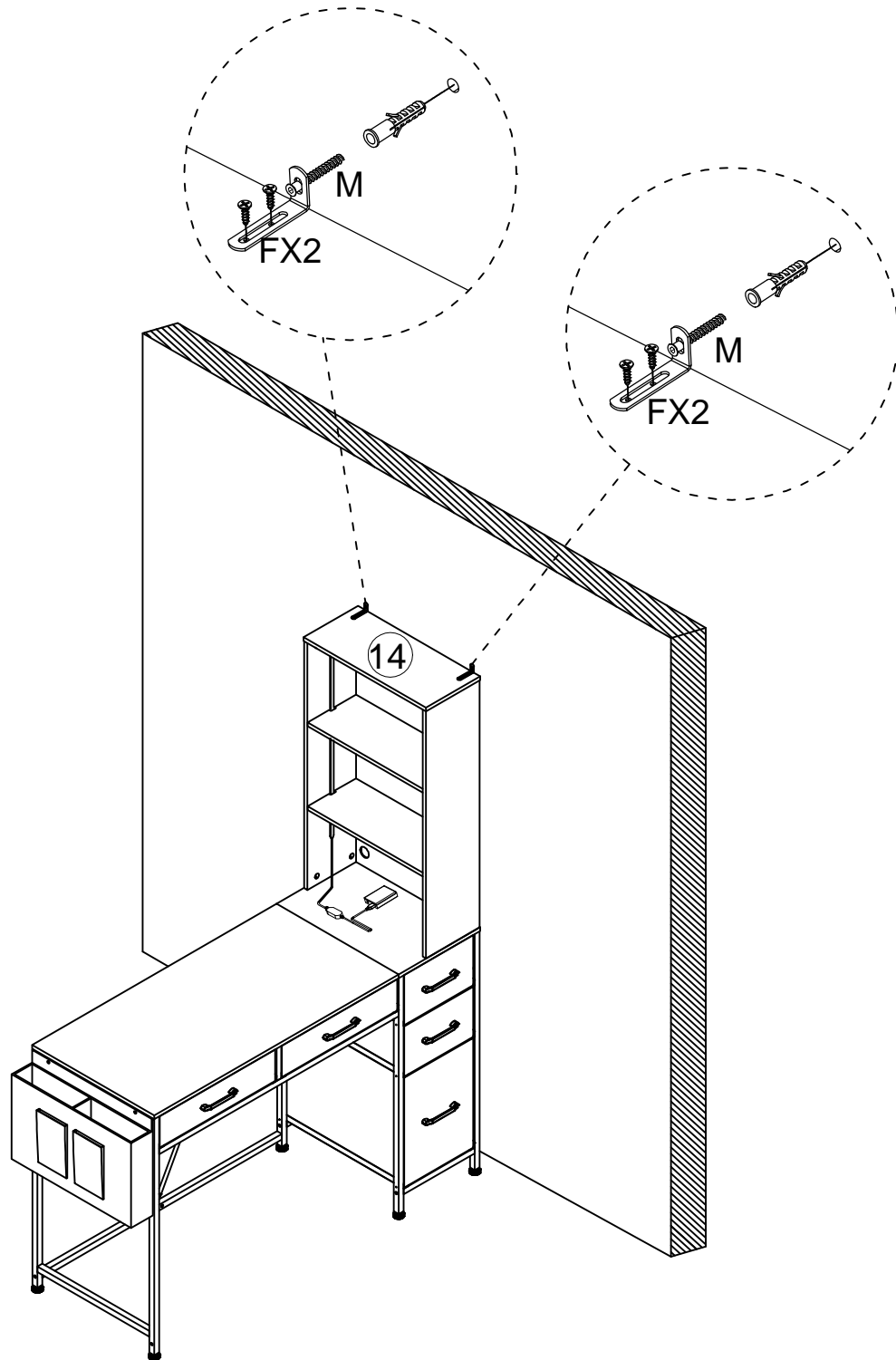
ASSEMBLY INSTRUCTION





STEP 50-2



ASSEMBLY INSTRUCTION

STEP 51-2



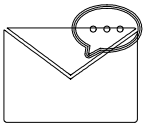
F	ST3.5*12	M	ST5*40
		  	
X4		X2	

3-years warranty



We guarantee your product is free from defects in product material and workmanship for three(3) years starting from the date of purchase during normal use of household conditions. If your appliance fails to operate properly within our warranty period, We will send the corresponding accessories, Replacement is free and all shipping costs are covered.

Quick Response within 24 Hours



If you are still unable to resolve the issue you are experiencing, please contact us immediately via our support email. It doesn't matter if the product has been installed or not, our customer support team will respond within 24 hours and assist you quickly and efficiently. The most efficient way to confirm your problem to us is to attach a video, which illustrates your product issues.

Problems You May Encounter

PART	PROBLEM	SOLUTION
Cloth drawers	Why use cloth drawers	<ol style="list-style-type: none"> 1.Reducing tree extraction is more environmentally friendly 2. More convenient to use and assemble 3.Reduced the thickness of the side panel, resulting in a larger actual storage space
whole Product	Parts are missing, defective or having wrong parts in package.	You can contact us and we will get back to you within 24 hours
	Having issue(s) while reading the instruction or completing the assembly.	Feel free to contact us and we will get back to you within 24 hours.
	Encountering non-human caused damage during usage.	If the product is damaged due to non-human causes, please keep the product and send us photos of it.We will ascertain the cause of the product damage within 48 hours and provide you with a satisfactory solution.
Table Surface	Board Surface is broken, scratched or lack of some screw holes.	Feel free to contact us and we will get back to you within 24 hours.
	The screw holes that on the board and the steel frame don't line up.	<ol style="list-style-type: none"> 1.Please tighten the screws on the board by 70% , do not tighten completely. 2. Adjusting board and steel frame until the screw holes are lined up,then tighten all the screws.
	The desk board is uneven or not tight that has gaps after being assembled.	<ol style="list-style-type: none"> 1.Loosen the screws in the uneven or gap positions; adjust until the desktops are flat and tight, and then tighten the screws. 2.If your problem still can't be solved, please feel free to contact us.
Steel Frame	The steel frame is bent,broken,painted, rusted or damaged.	Feel free to contact us and we will get back to you within 24 hours.
	The table is unstable after being assembled.	<ol style="list-style-type: none"> 1.Check if the screws are tightened. 2.Read throughout the manual, check are there any parts installed incorrectly or missing assembled. 3.If your problem still can't be solved, please feel free to contact us.
	Encountering non-human caused damage during usage.	If the product is damaged due to non-human causes, please keep the product and send us photos of it.We will ascertain the cause of the product damage within 48 hours and provide you with a satisfactory solution.

MADE IN CHINA

Create a more relaxing office space

Thank you for choosing our product