

Thank you for your order!

We appreciate your business. Additional information on your product may be available on our website.



Happy?

Wonderful! We are very glad. Please share your experience with us and others. It helps us know what you like best!

- Follow us on Facebook and Instagram!



Not happy?

Please give our customer service a call. We are here to help.

- Missing parts?
- Having trouble with assembly?

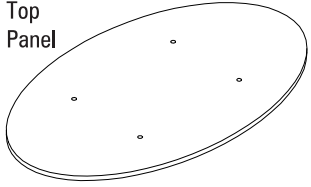
Ashwood Coffee Table



Parts

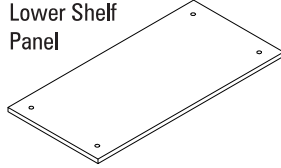
Ax1

Top Panel



Bx1

Lower Shelf Panel



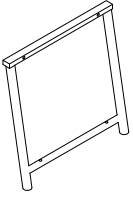
Cx2

Cross Bar



Dx2

Side Frame



Ex4

Short Screw



Fx4

Mid Size Screw



Gx4

Long Screw



H

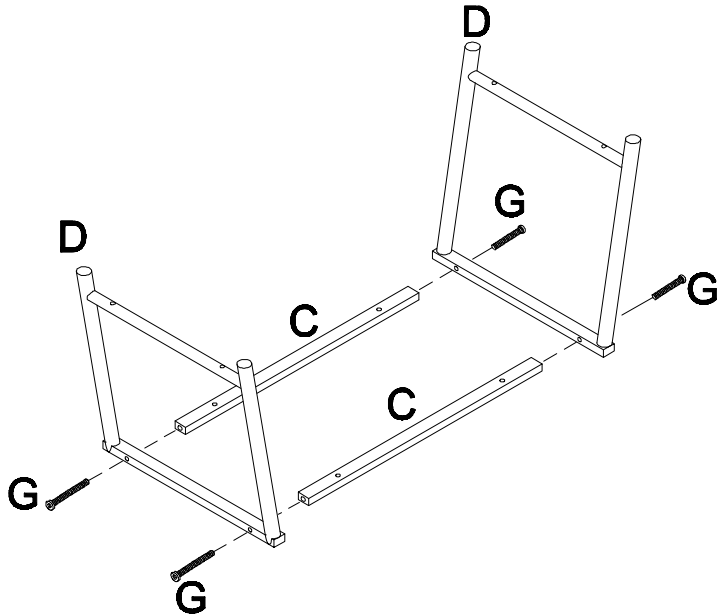
Allen Wrench



Assembly

1

Attach cross bar (C) to side frame (D) using long screw (G).

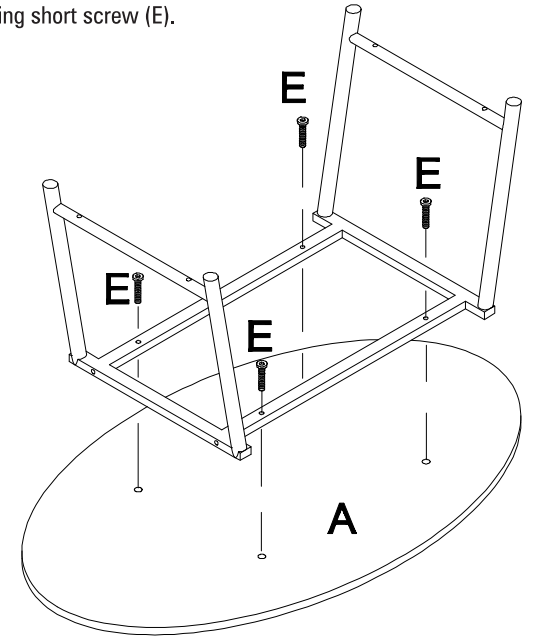


NOTE: Finger tighten screws until fully assembled, unless instructed to "tighten fully".

Assembly cont'd

2

Attach metal frame to top panel (A) using short screw (E).



3

Attach lower shelf panel (B) to side frames (D) using mid size screw (F).

Tighten down all screws.

