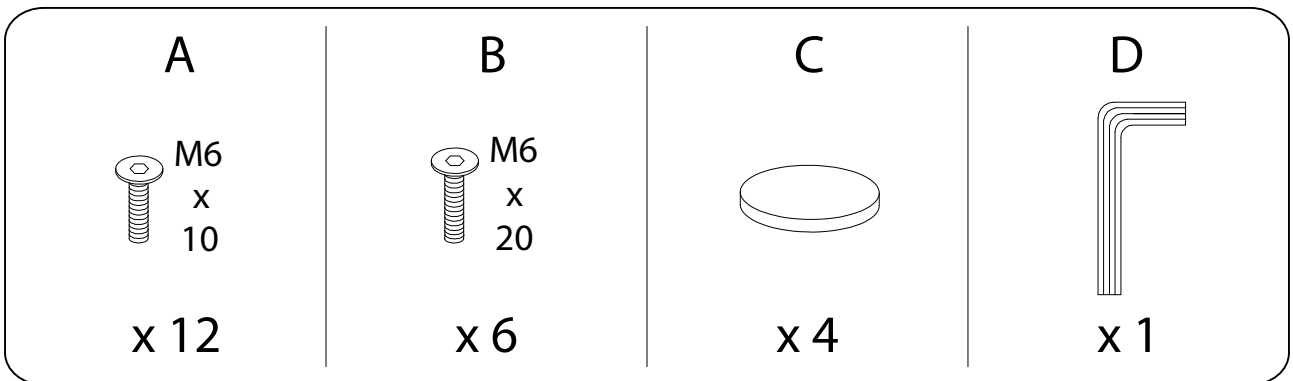
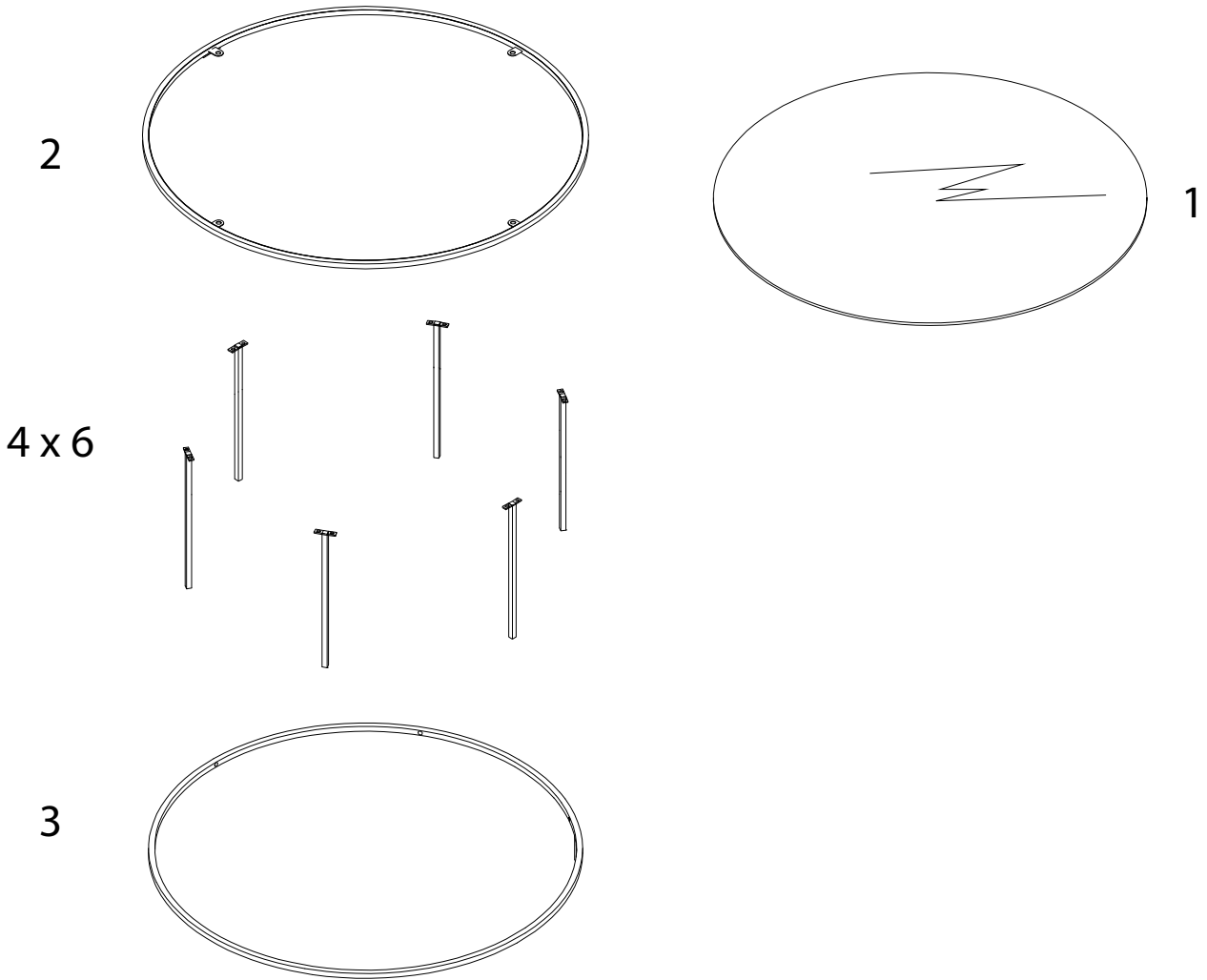
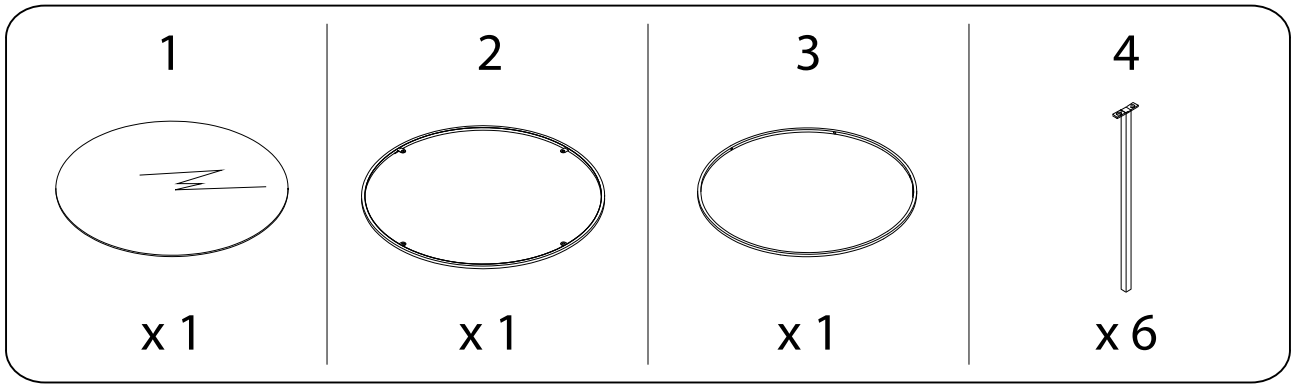
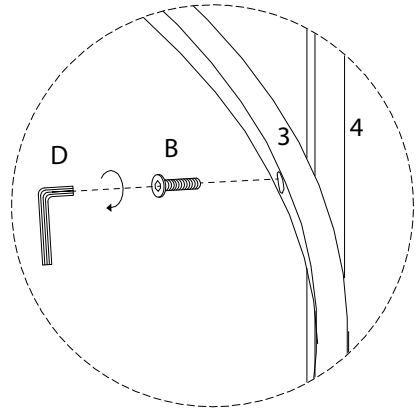
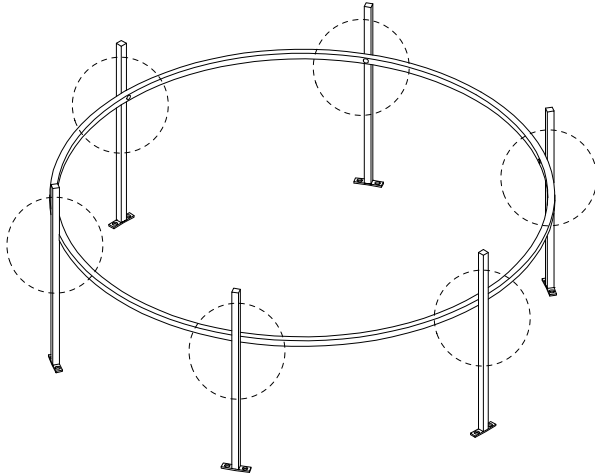
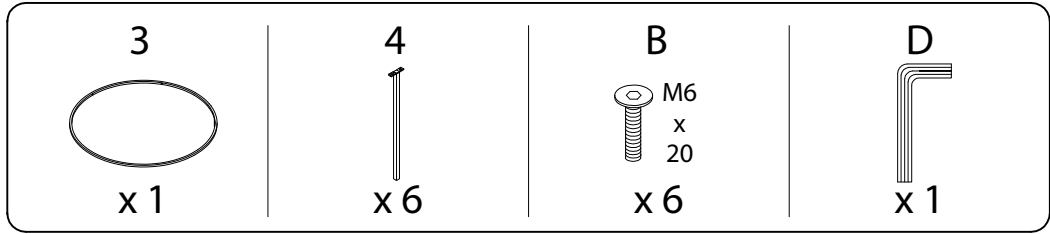


Diagram illustrating assembly instructions and safety warnings:

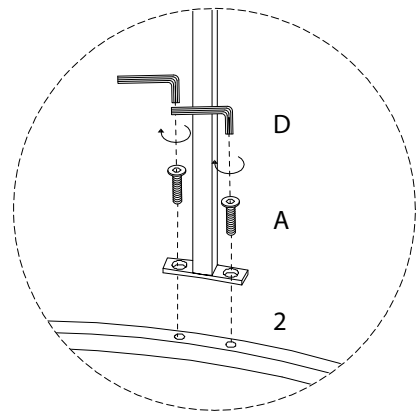
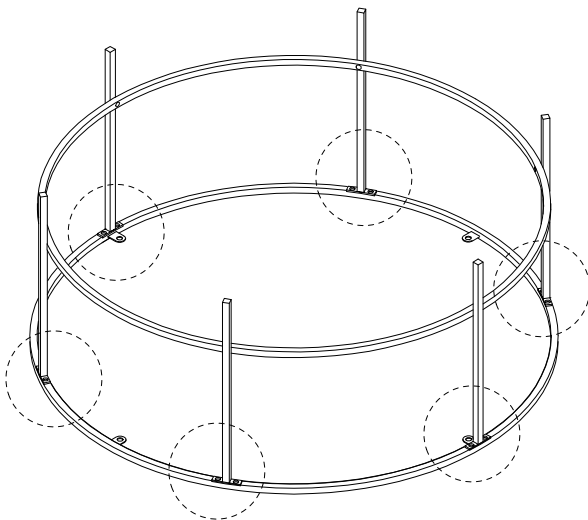
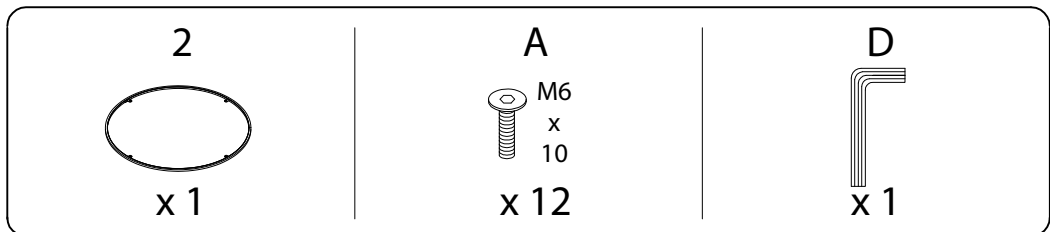
- Top Section:** Shows a corner bracket being inserted into a hole. A power drill is shown with a diagonal line through it, indicating that a power drill should not be used for this step. A warning triangle with an exclamation mark is positioned to the right.
- Bottom Section:** Shows a rectangular block being placed on a surface. A power drill is shown with a diagonal line through it, indicating that a power drill should not be used for this step. A warning triangle with an exclamation mark is positioned to the right.
- Timing:** A clock icon is shown with the text "30'" below it, indicating a 30-minute assembly time.
- Personnel:** A person icon is shown with the text "1" below it, indicating that one person is required for assembly.



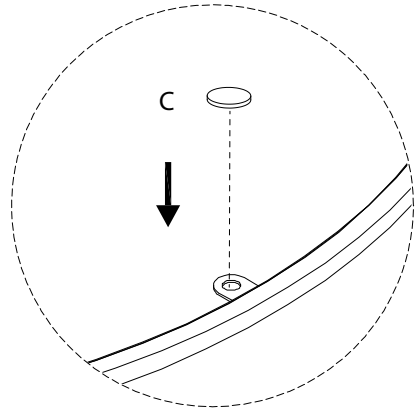
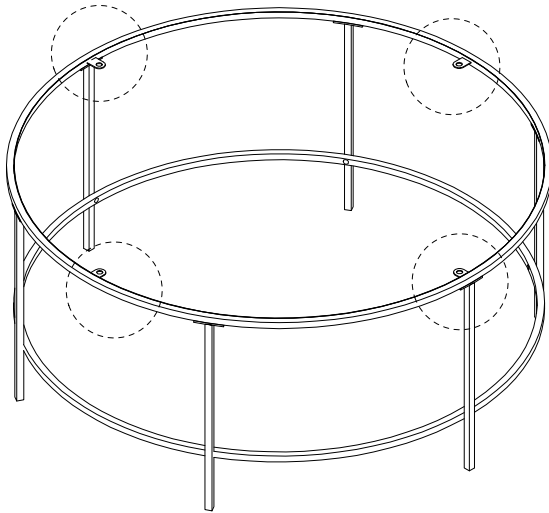
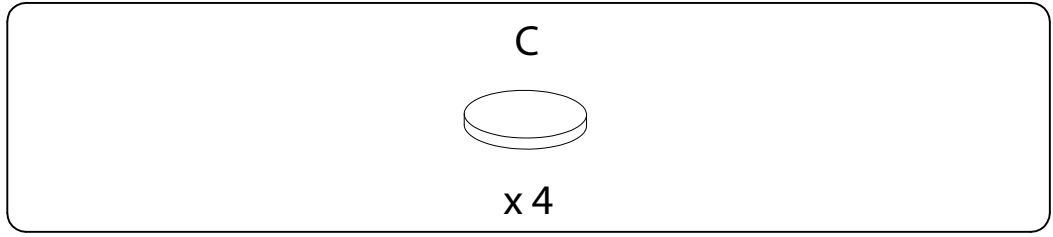
1



2



3



4

