


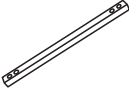




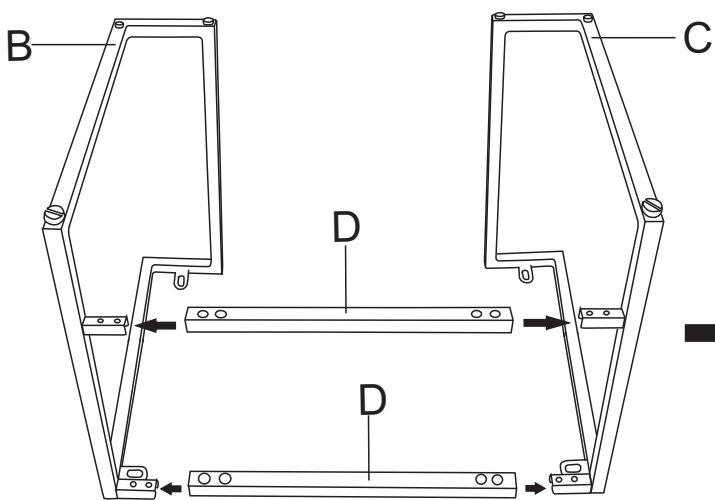


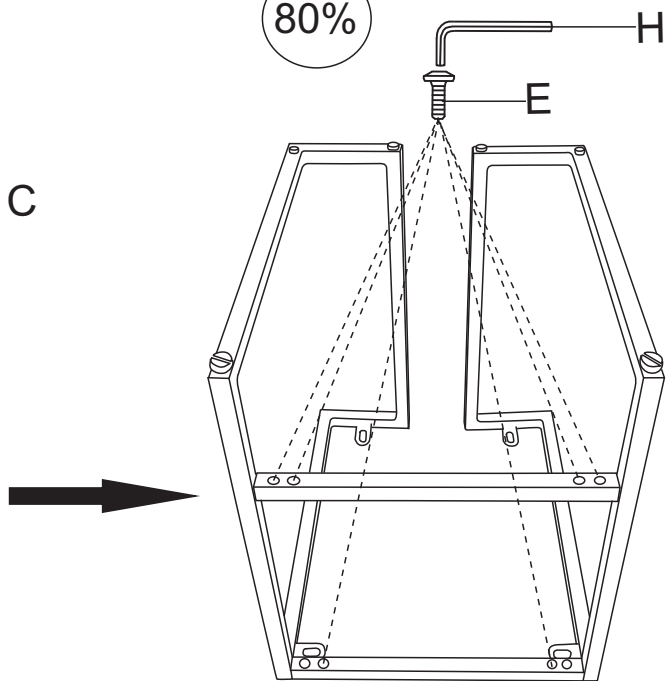
ASSEMBLY INSTRUCTION

Ax1 	Bx1 	Cx1 	Dx2 	Ex8  M6*10MM	Fx4  M6*20MM	Gx4  6*18*1MM	Hx1  M6
---	--	--	--	---	--	--	--

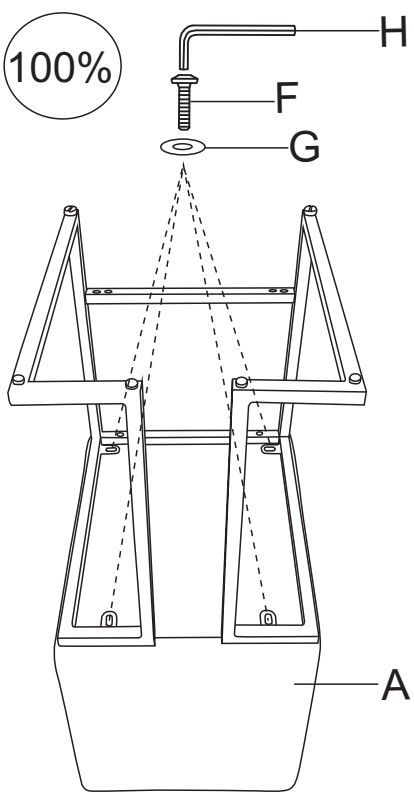
1



80%



2



3

