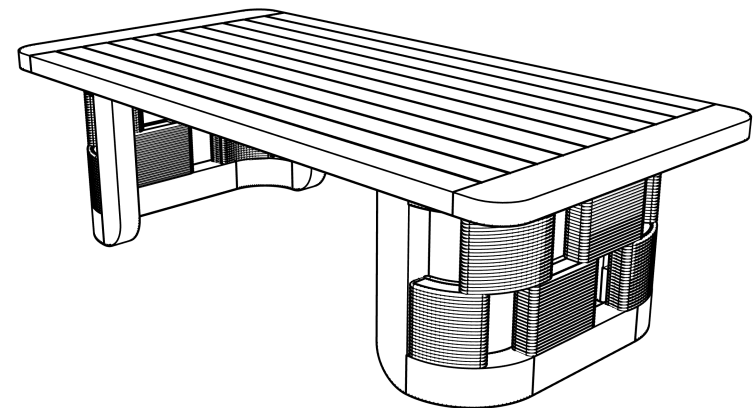


SKIPPER COFFEE TABLE

DESIGN # Item ID : CPT2009A

Assembly Instructions
Product Dimensions : W : 47.2" X D : 23.6" X H : 13.8"



Need help?

Feel free to contact us via email or call
if you have any specific questions!

contact us:

cs@safavieh.com

866-422-9070

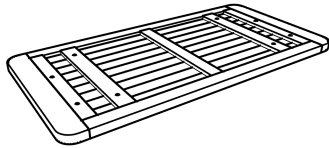
SAFAVIEH
C O U T U R E

**Thanks For bringing
Safavieh Couture Into
your home**

Every thing we make is incredibly simple to set up, including your new table. you won't need any additional tools.

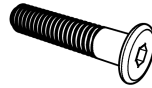
Parts List

A X 1
TOP TABLE

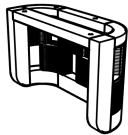


Hardware List

HW1 X 8
JCBC BOLT M6 X 50



B X 2
LEG

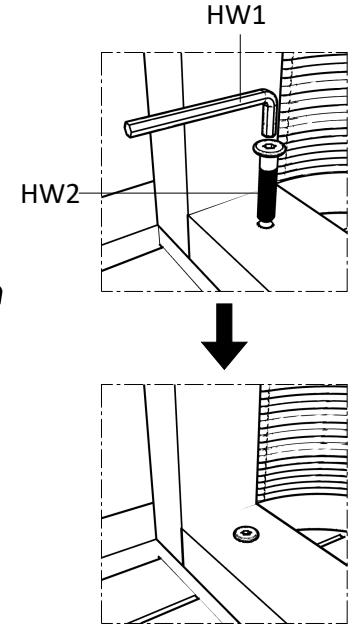
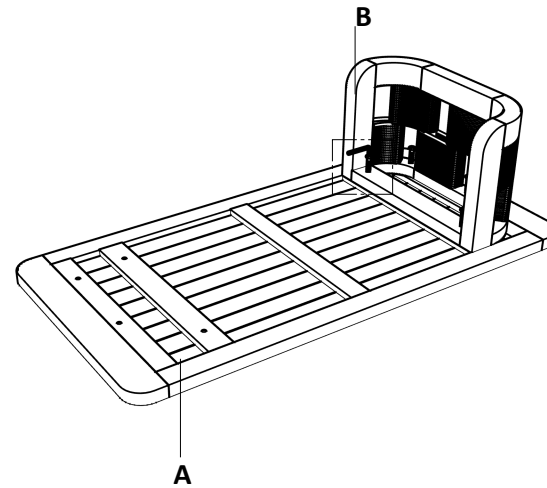


HW2 X 1
ALLEN KEY



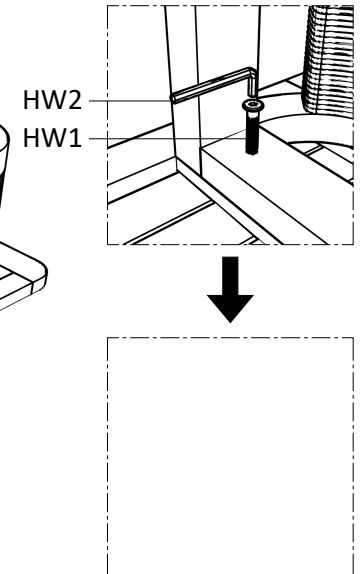
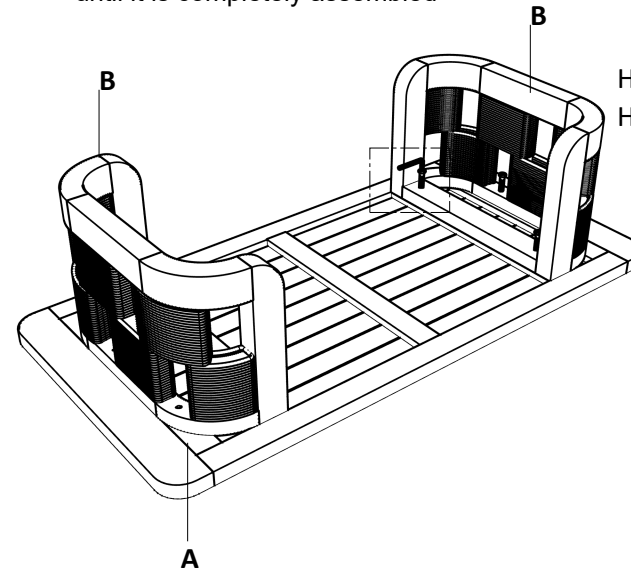
1

Position the holes in the leg (B) to the holes in the top table (A).
Install the bolt (HW1) and do not tighten until it is completely assembled



2

Position the holes in the second leg (B) to the holes in the top table (A).
Install the bolt (HW1) and do not tighten until it is completely assembled



3

Place the table in the position you use. we'd love to see it -- just tag us (we're @safavieh) and use the hastag #safavieh on instagram!

@safavieh

