

NOTICE

- * Please make sure that you have all parts indicated and they are in good condition before you begin assembly of this item. Refer to part list and hardware list below for guidance.
- * This item should be assembled on a soft surface to prevent scratching the finish during assembly.
- * This item may require periodic tightening.
- * If you are having difficulty, our friendly Customer Care team is always here to help. Please email customersupport@safavieh.com

PREPARATION

- * Before beginning assembly of product, make sure all parts are present. Compare parts with part contents list and hardware contents list.
- * If any part is missing or damaged, do not attempt to assemble the product.
- * Estimated Assembly Time : 10 minutes.
- * Tools required for Assembly (included) : Allen Key
- * Tools Required for Assembly (not included) : Screwdriver

CARE AND MAINTENANCE

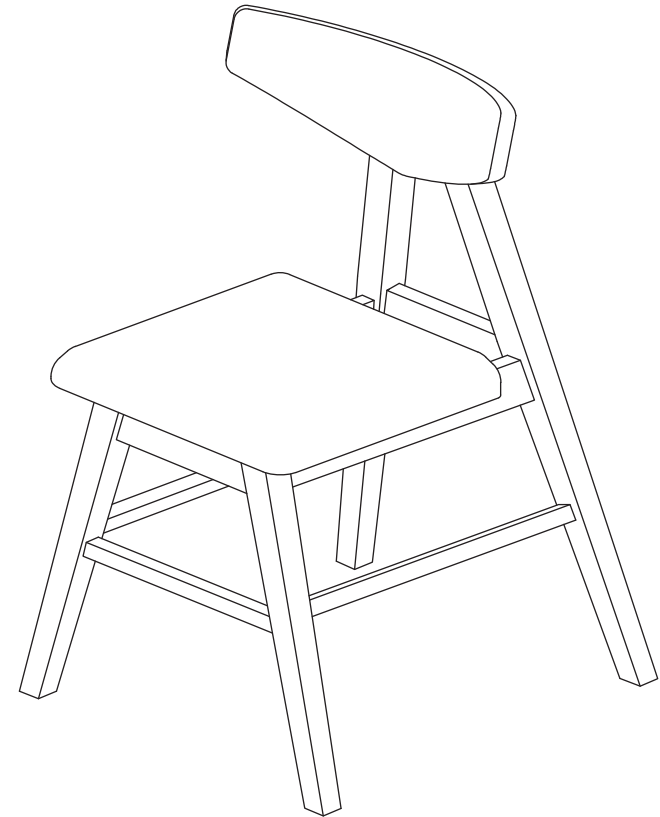
WOOD CARE: Adhesive felt pads should always be applied to areas of furniture which make direct contact with flooring, said application will prevent damage to the furniture and or surfaces on which the furniture lies. Objects placed on articles of furniture should rest on nonabrasive material as to prevent damage to the wood finish. Wipe up spills immediately and avoid common hazards such as hot dishes, harsh solvents and abrasives. Cleaning should be done with a soft lint free cotton cloth dampened with water or furniture polish.

UPHOLSTERY CARE: To prevent overall soiling, frequent vacuuming or light brushing is recommended. Cushions and pillows should be turned on a weekly basis. Down-filled cushions should be brushed rather than vacuumed. Spot clean should undertake a complete overall cleaning. The use of steam or water-based cleaners may cause excessive shrinking or staining.




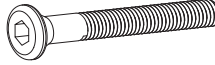
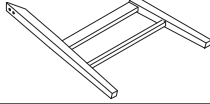

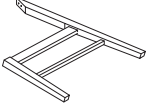
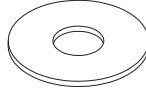
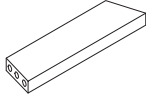
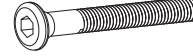
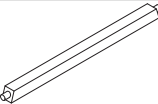
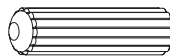
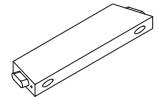
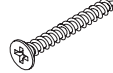
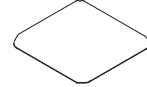
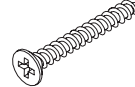

ITEM ID: DCH1405

ITEM DIMENSION: 22"W x 20"D x 30"H



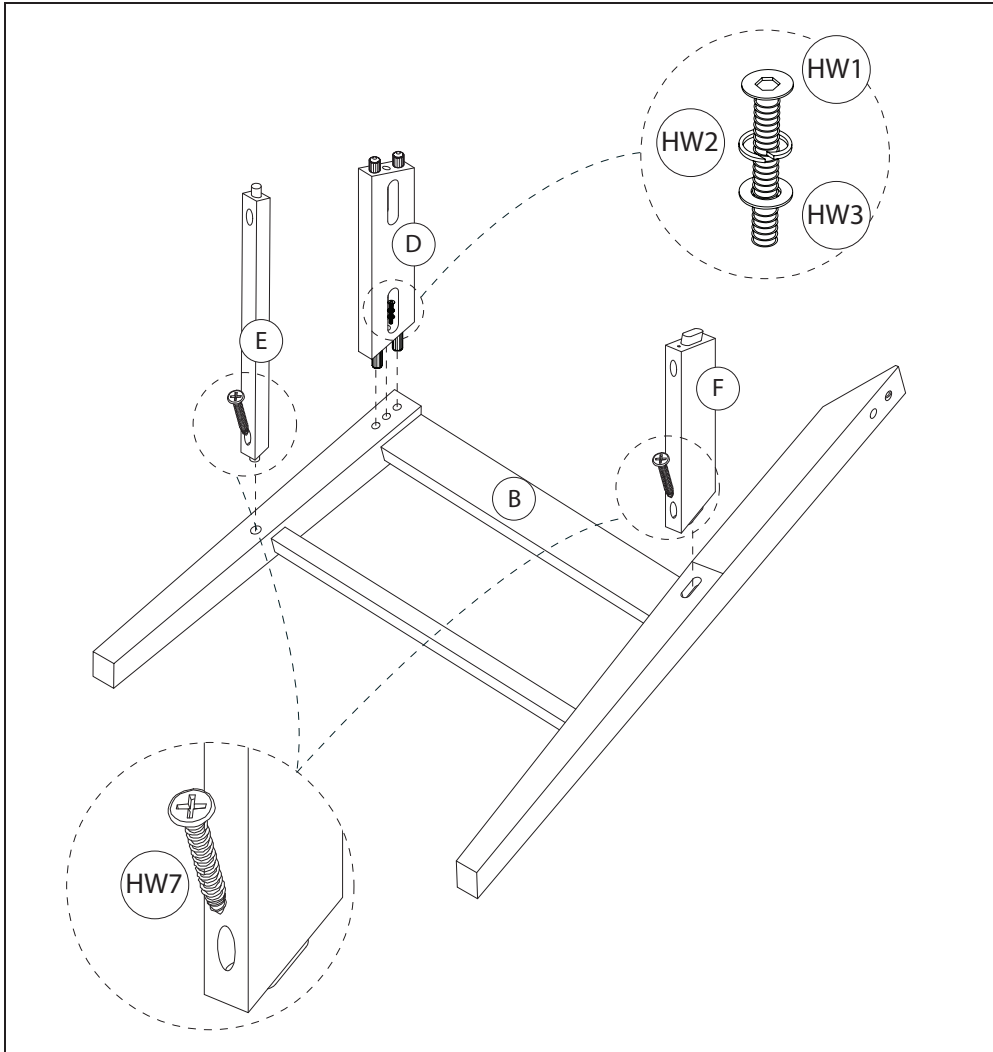
WARNING
Weight capacity - 236 LBS
Warning : Do not stand on table.
Warning : Do not over torque bolts.

Part List and Hardware List

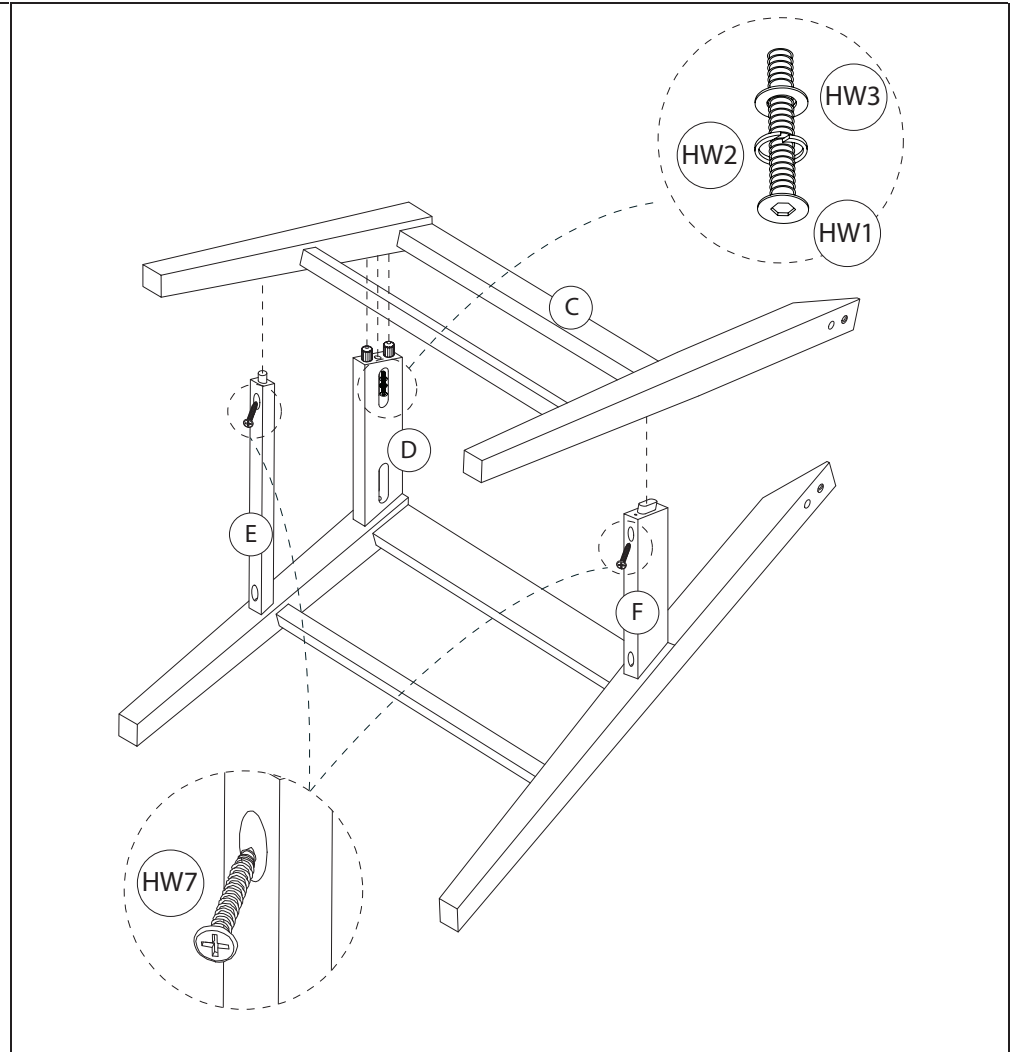
PIECE	DESCRIPTION	PICTURE	QTY	PIECE	DESCRIPTION	PICTURE	QTY
A	Bottom Stretcher		1x	HW 1	JCBC Bolt Set M6x50mm		2x
B	Leg Frame (Left)		1x	HW 2	Spring Washer 6mm		6x
C	Leg Frame (right)		1x	HW 3	Flat Washer 6mm		2x
D	Front Stretcher		1x	HW 4	JCBC Bolt Set M6x30mm		4x
E	Bottom Stretcher		1x	HW 5	Wood Dowel 8x30		4x
F	Back Stretcher		1x	HW 6	CSK Screw M4x2.0x30mm		7x
G	Seat		1x	HW 7	CSK Screw M4x2.0x38mm		4x
				HW 8	Allen Key M4		1x

PREPARATION

- * Before beginning assembly of product, make sure all parts are present. Compare parts with part contents list and hardware contents list.
- * If any part is missing or damaged, do not attempt to assemble the product.
- * Estimated Assembly Time : 15 minutes.
- * Tools Required for Assembly (included) : Allen Key
- * Tools Required for Assembly (not included) : Screwdriver



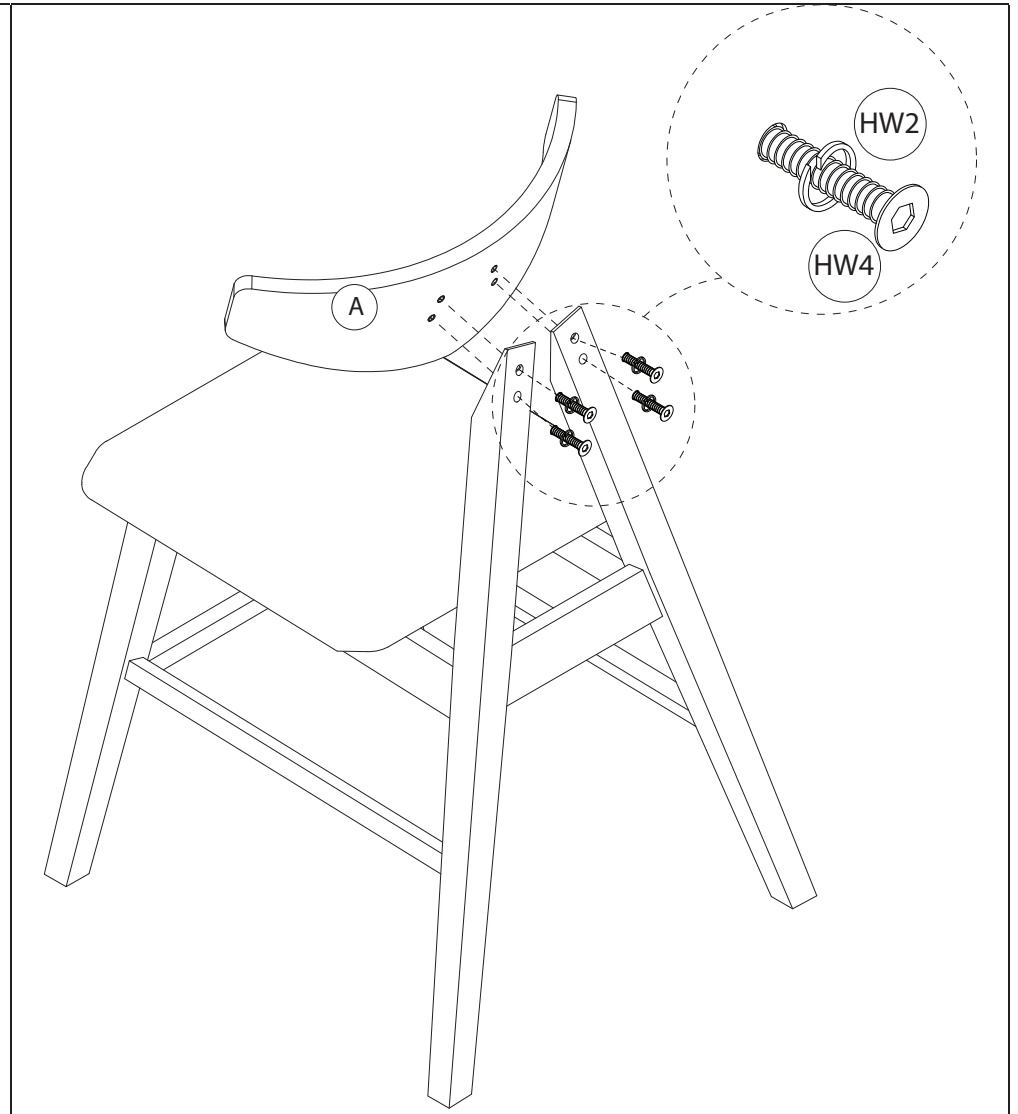
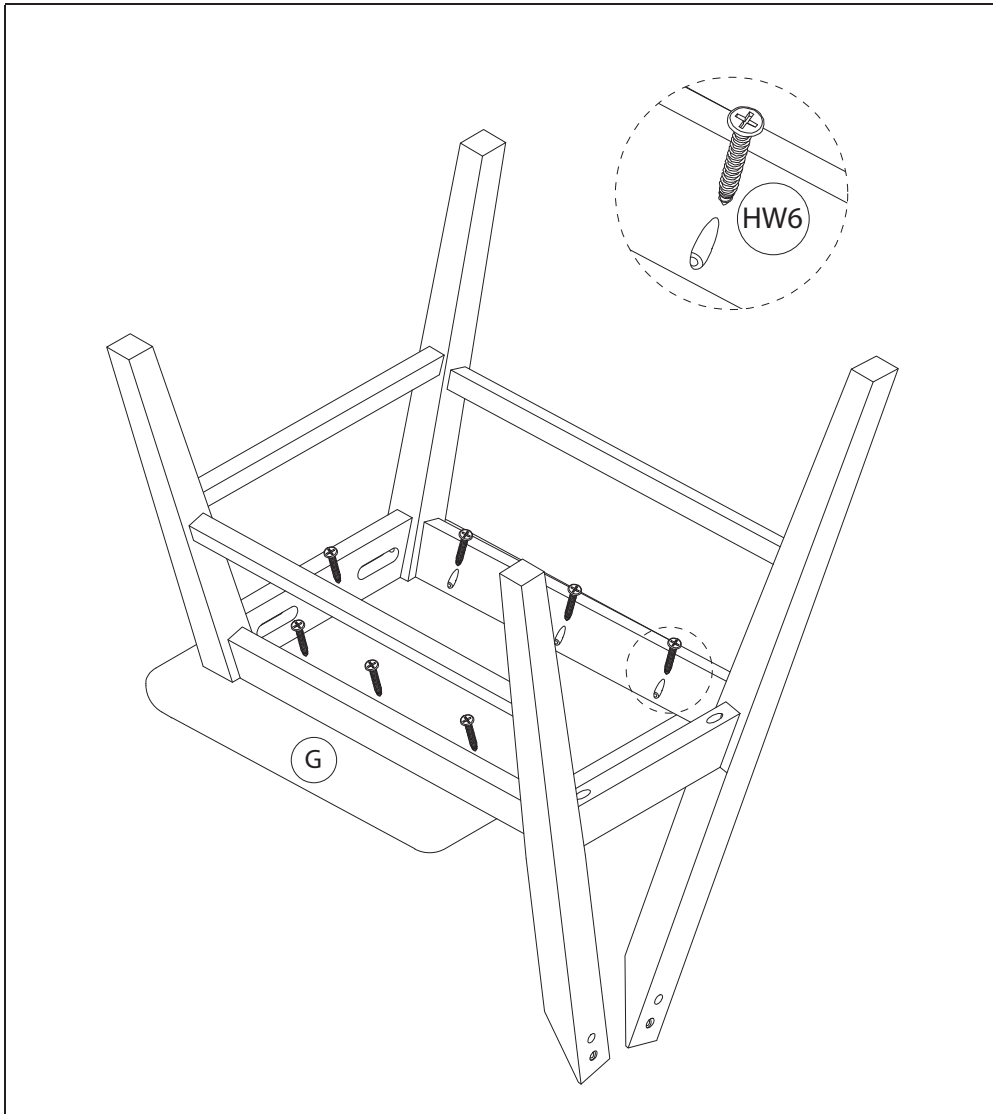
Step 1 : Insert Wood Dowel (HW5) to the Front Stretcher (D). Then attach the Front Stretcher (D) to the Leg Frame left (B) and screw in the bolt(HW1). Put washer (HW2,HW3) on the bolt in the order shown. Tighten the bolt using Allen Key (HW8). Attach Bottom Stretcher (E) and Back Stretcher (F) to the leg frame using Screws (HW7).



Step 2 : Attach Leg Frame right (C) to the Front Stretcher (D). Screw in the bolt (HW1) and washer (HW2,HW3) in the order shown. Tighten the Bottom Stretcher (E) and Back Stretcher (F) using Screws (HW7).

PREPARATION

- * Before beginning assembly of product, make sure all parts are present. Compare parts with part contents list and hardware contents list.
- * If any part is missing or damaged, do not attempt to assemble the product.
- * Estimated Assembly Time : 10 minutes.
- * Tools Required for Assembly (included) : Allen Key
- * Tools Required for Assembly (not included) : Screwdriver



Step 3 : Place the chair upside down at a table with the Seat (G). Tighten the Seat (G) to the chair frame using the Screws (HW6).

Step 4 : Upright the chair. Attach the Chair Head (A) using the bolts (HW4). Put washers (HW2) on the bolts in the order shown. Tighten the bolts using Allen Key (HW8).