

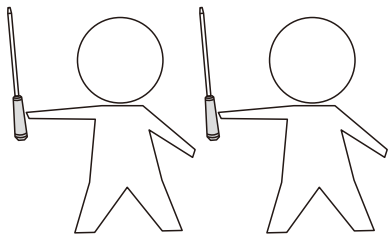
INSTRUCTIONS

LEON A

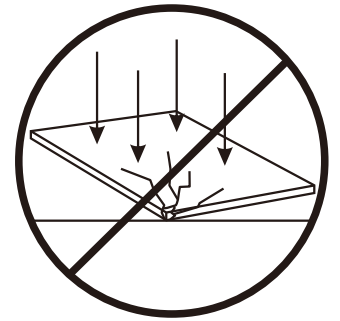
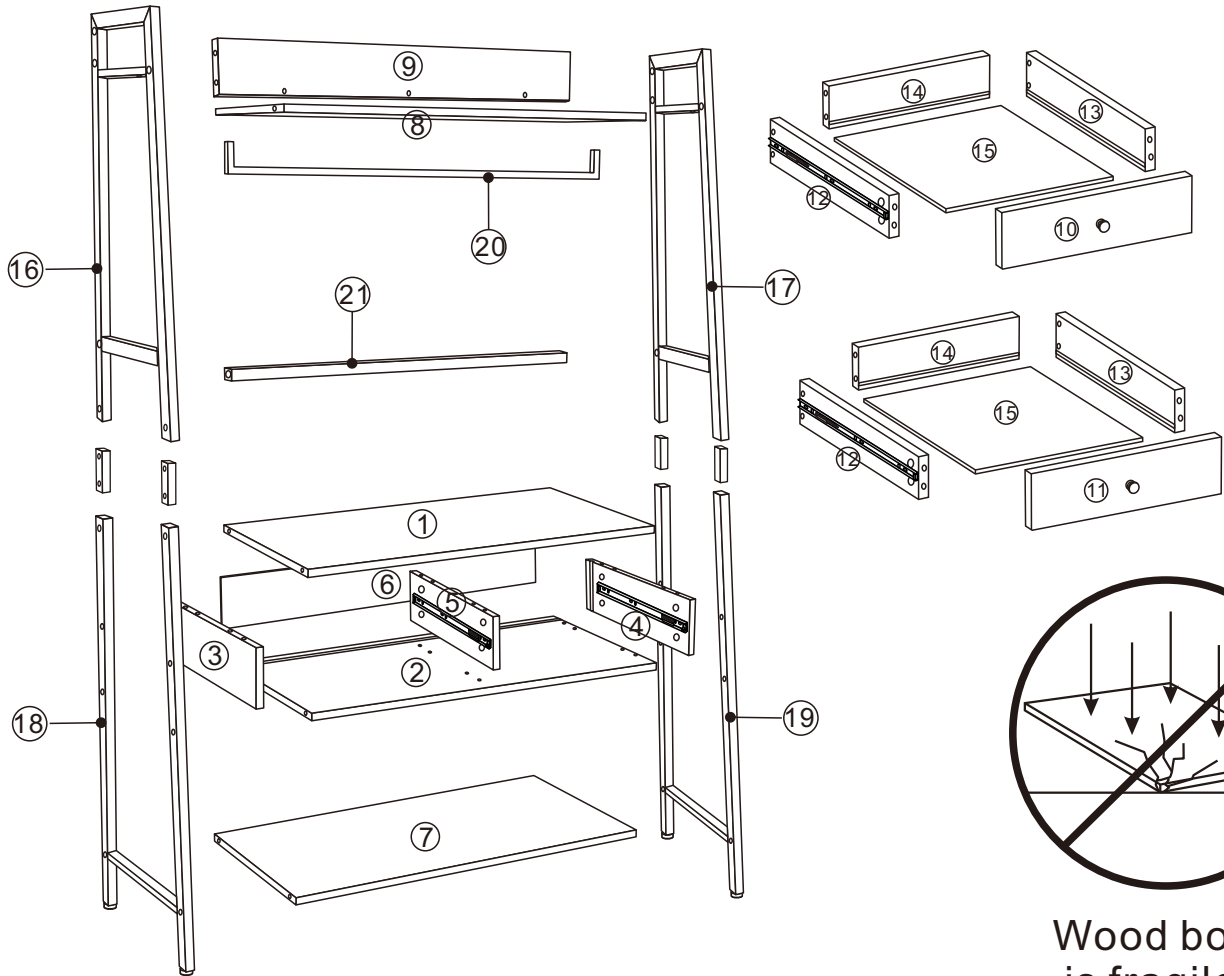


Installation Notes:

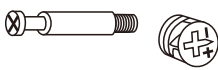
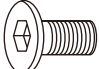
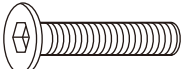
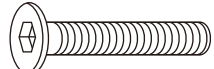

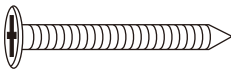
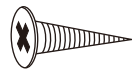
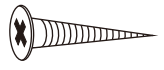




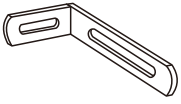
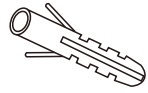
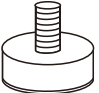
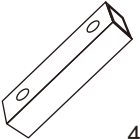

- 1. Before starting to assemble, please check the number of parts referring to this instruction.**
- 2. Before starting to assemble, please check the condition of the parts. If any damage is found, please contact us.**
- 3. Be careful of the heavy board.**
- 4. Handle with care to avoid damaging floor and the product.**
- 5. Recommendation of 2-3 people for easier installation.**



Need to prepare

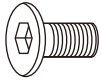


Wood board is fragile

<p>A</p>  <p>20pcs</p>	<p>B</p>  <p>M6X12mm 8pcs</p>	<p>C</p>  <p>M6X25mm 2pcs</p>	<p>D</p>  <p>M6X30mm 2pcs</p>	<p>E</p>  <p>2pcs</p>
<p>F</p>  <p>ST5X50mm 29pcs</p>	<p>G</p>  <p>M3.5X14mm 4pcs</p>	<p>H</p>  <p>ST3.5X18mm 6pcs</p>	<p>I</p>  <p>ST4X25mm 2pcs</p>	<p>J</p>  <p>M4X18mm 2pcs</p>
<p>K</p>  <p>12pcs</p>	<p>L</p>  <p>6pcs</p>	<p>M</p>  <p>2pcs</p>	<p>N</p>  <p>2pcs</p>	<p>O</p>  <p>4pcs</p>
<p>P</p>  <p>4pcs</p>	<p>Q</p>  <p>1pc</p>			

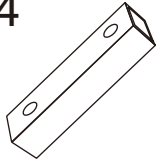
1

B*8

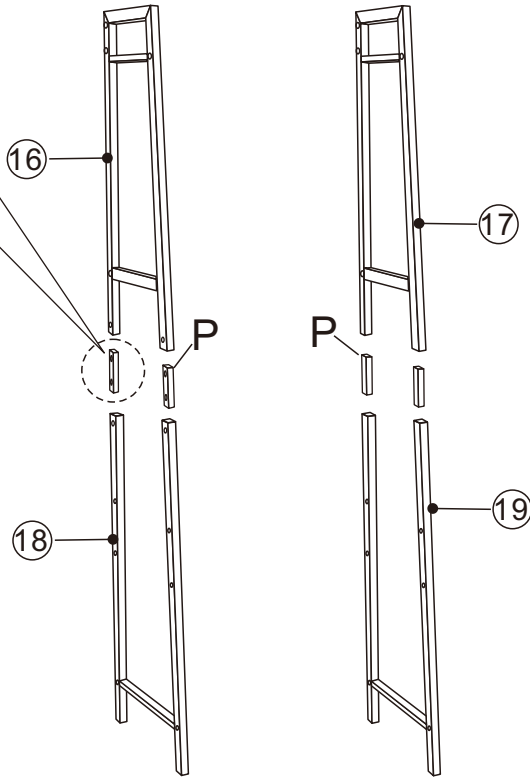
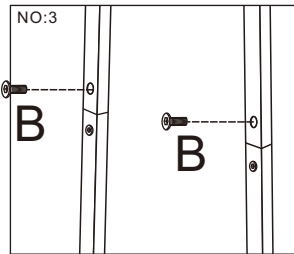
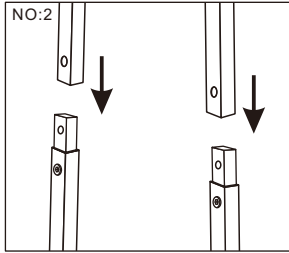
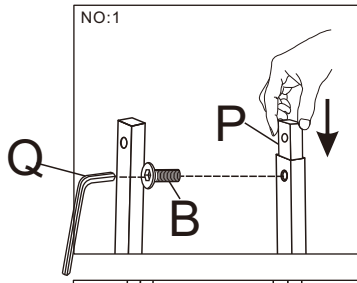


M6X12mm

P*4

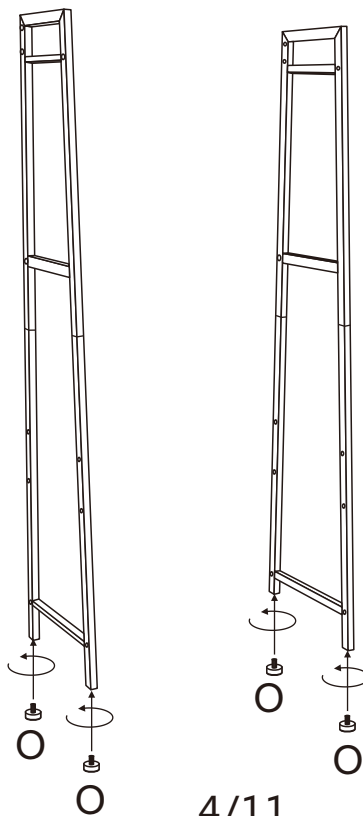
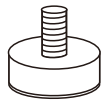


Q



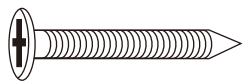
2

O*4

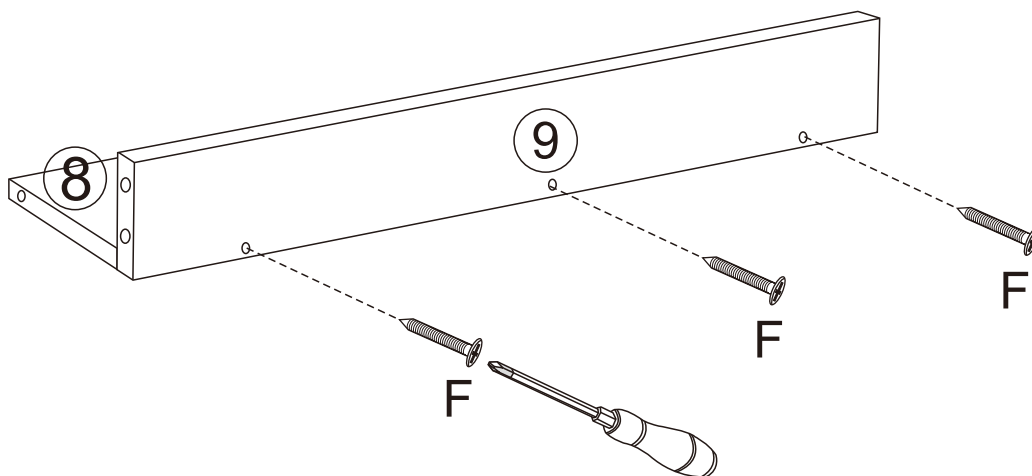
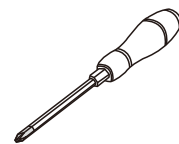


3

F*3

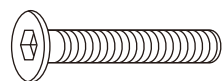


ST5X50mm



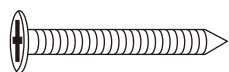
4

D*2



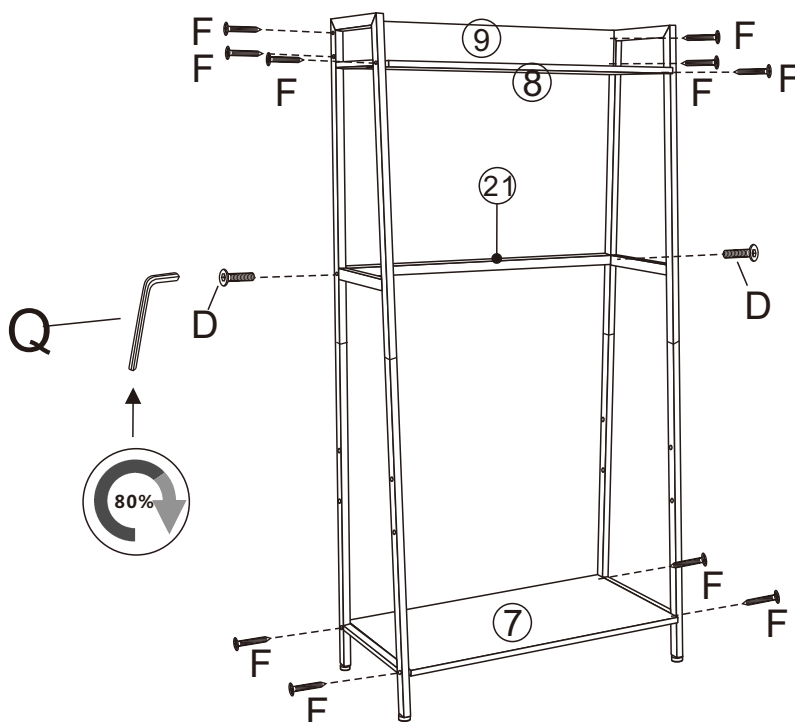
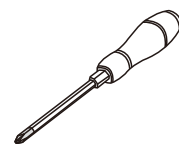
M6X30mm

F*10



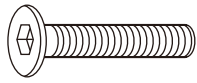
ST5X50mm

Q



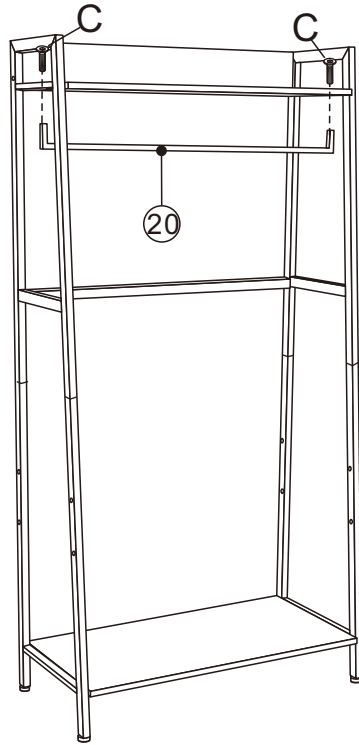
5

C*2



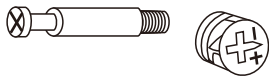
M6X25mm

Q



6

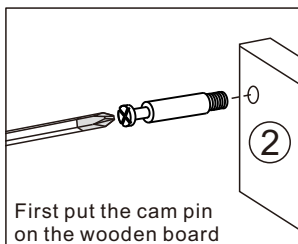
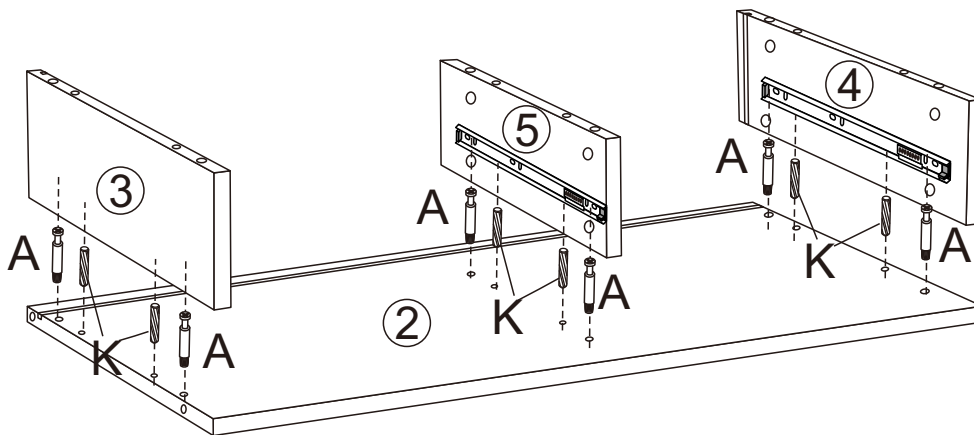
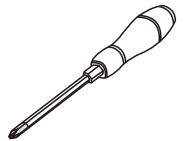
A*6



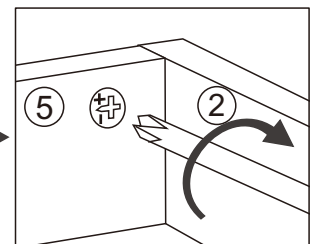
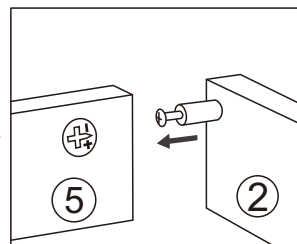
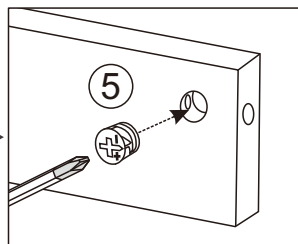
K*6



8X30mm

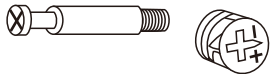


First put the cam pin on the wooden board



7

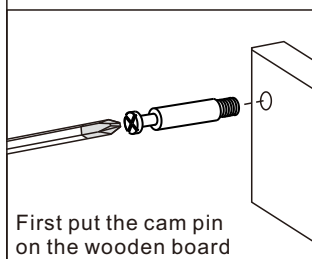
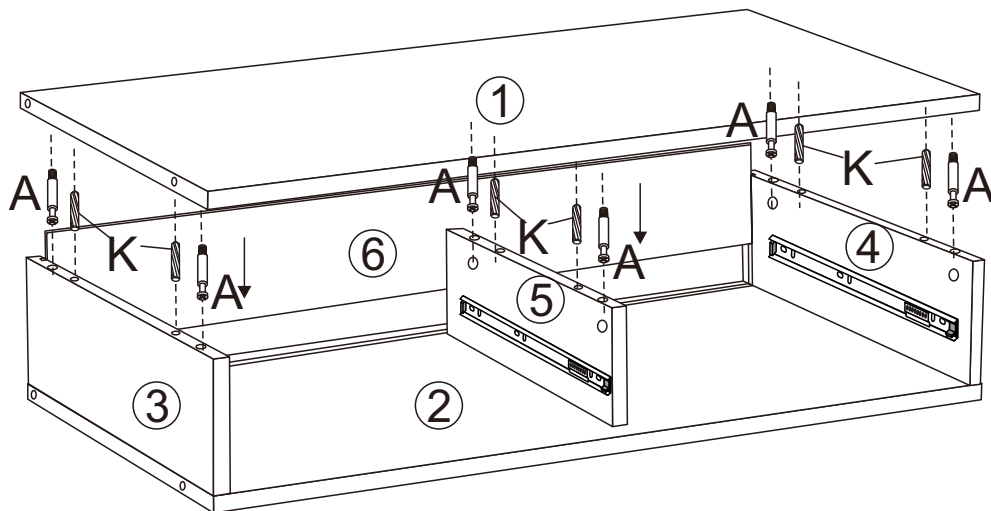
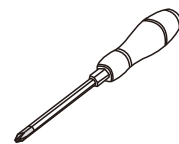
A*6



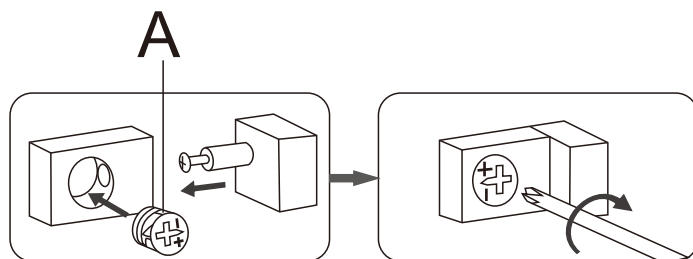
K*6



8X30mm

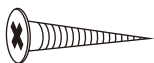


First put the cam pin on the wooden board



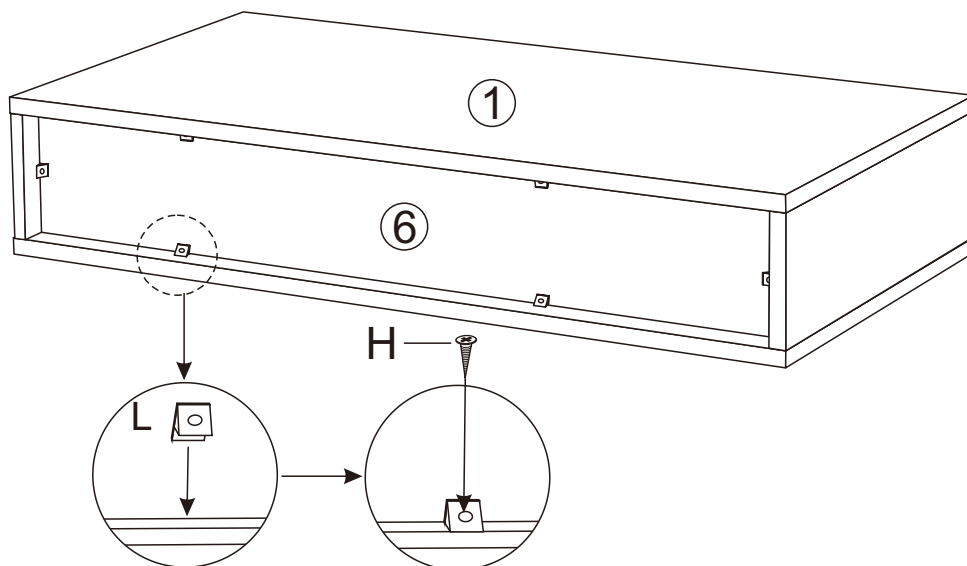
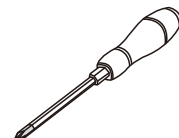
8

H*6



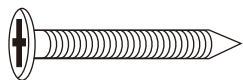
ST3.5*18mm

L*6

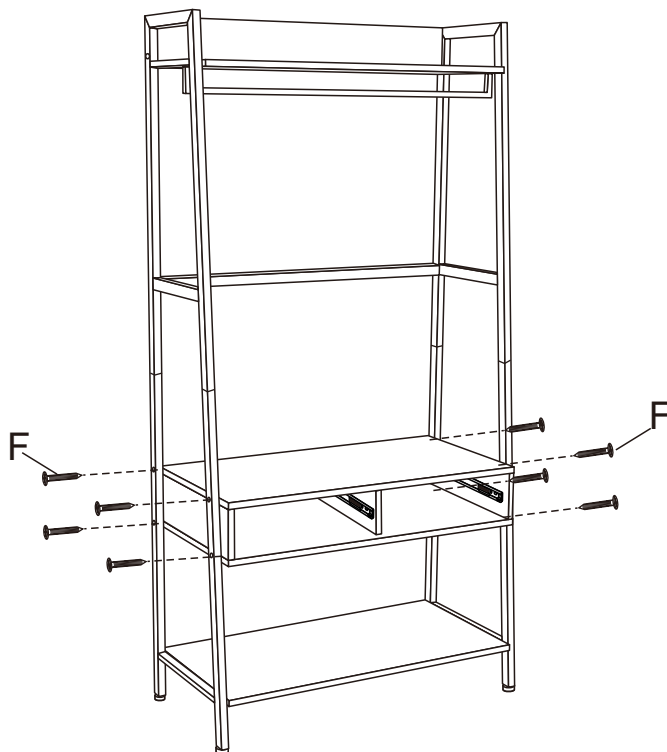
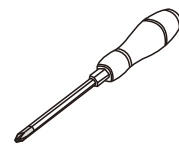


9

F*8

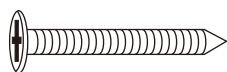


ST5X50mm

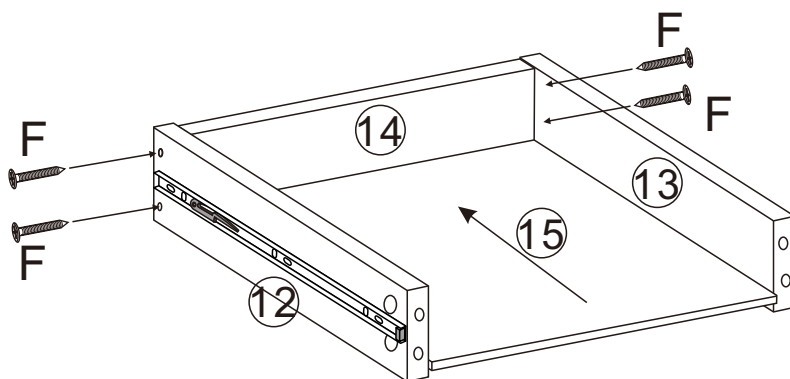
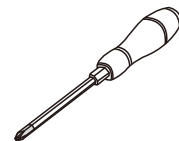


10

F*8



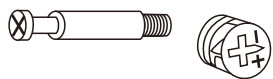
ST5X50mm



X2

11

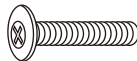
A*8



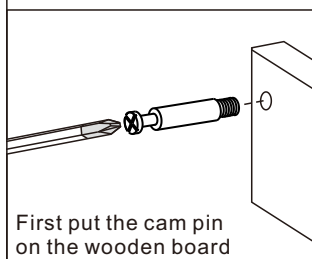
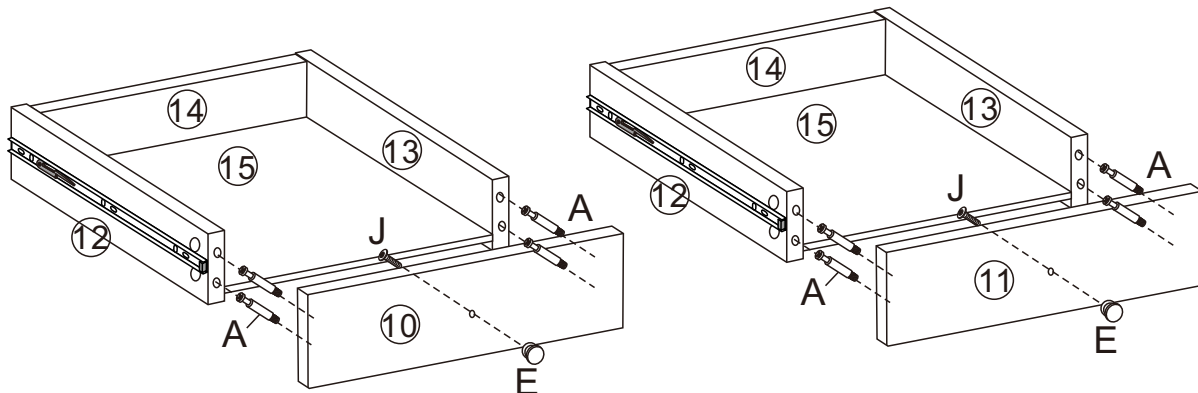
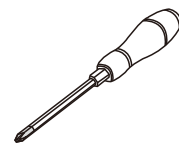
E*2



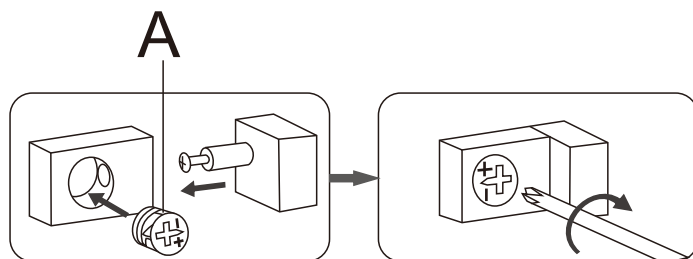
J*2



M4X18mm

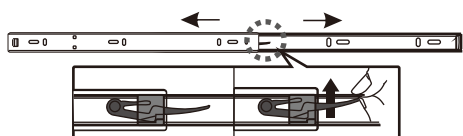


First put the cam pin on the wooden board

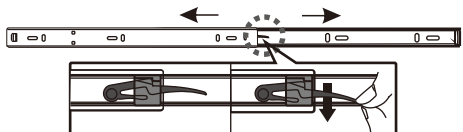


12

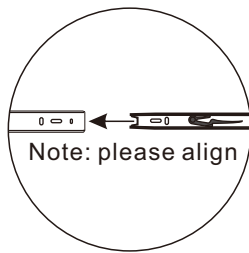
If you need to pull out the drawer, as shown in the figure, first press up/down the plastics on the left/right side of the slider, then pull out the drawer.



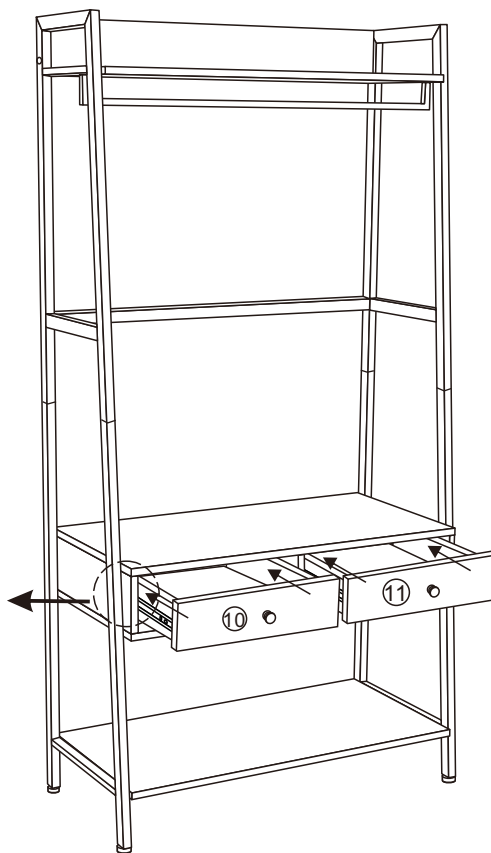
Left



Right



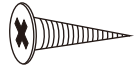
Note: please align



9/11

13

G*4



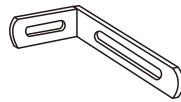
ST3.5X14mm

I*2

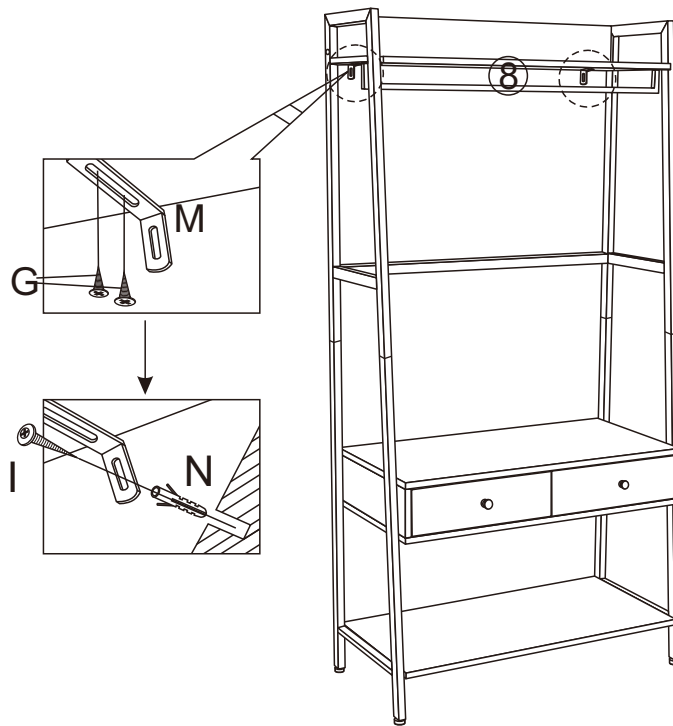
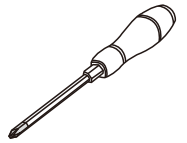


ST4X25mm

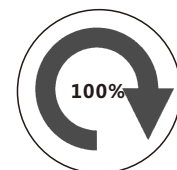
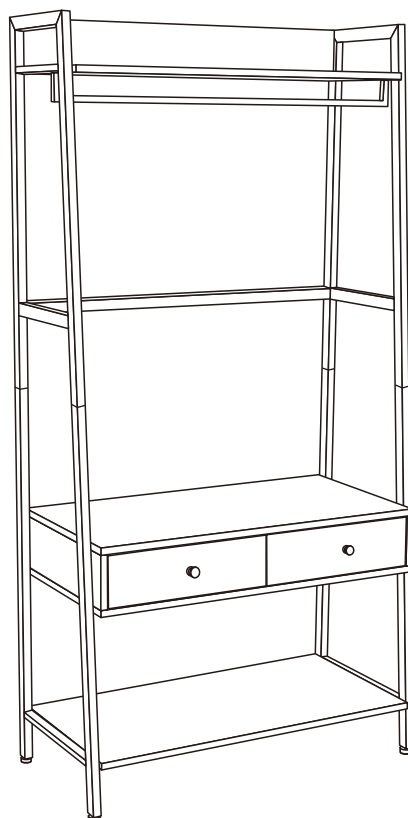
M*2



N*2



14 Finish



ALL SCREW

Maintenance and Repair

To protect your furniture, we recommend:

- 1. Avoid placing furniture in direct sunlight**
- 2. Keep away the products from children while assembling. Watch out for children climbing on the products.**
- 3. Clean the products with clean rag.**
- 4. If the product is stained with oil, please wipe with general detergent.**
- 5. Clean the product with clean rag that is not easy to depilate, screw dry and wipe with water.**
- 6. Please handle the product with care.**