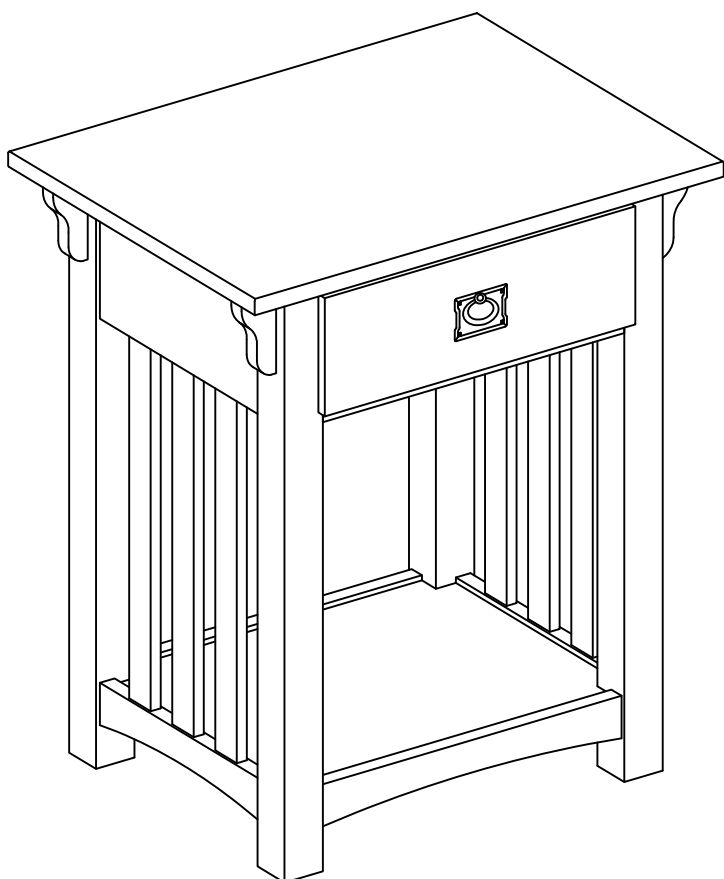

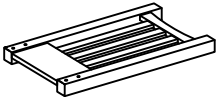
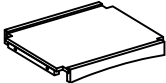



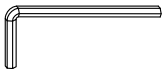



---

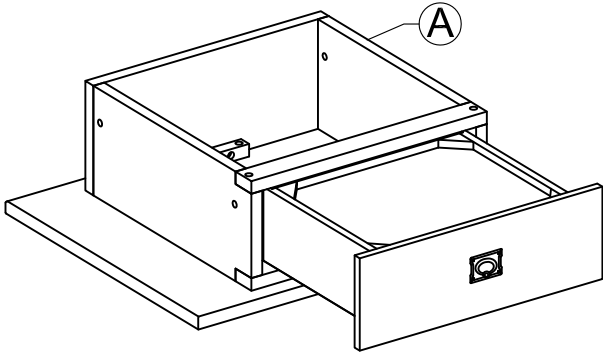
## Assembly Instructions Side Table With Drawer



A: Top Assembly	
B: (2) Side Frames	
C: Shelf	
D: (8) Bolts	
E: (8) Lock Washers	
F: (8) Flat Washers	
G: Allen Wrench	
H: (4) Corbels	

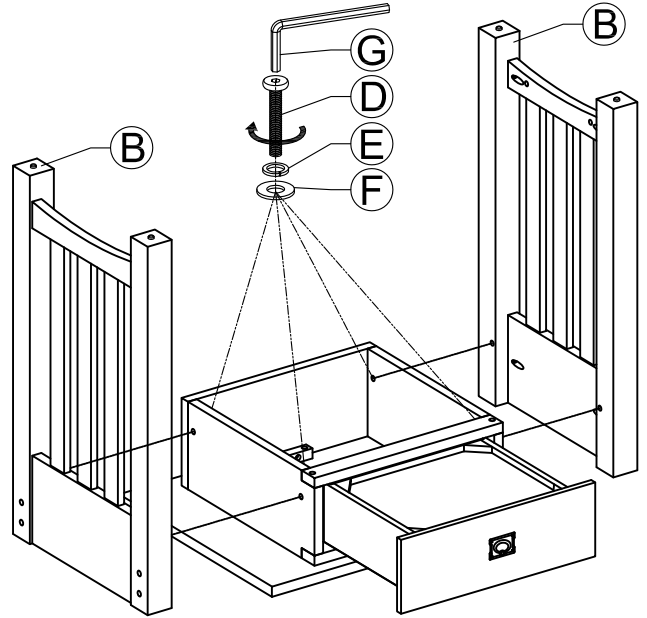
### Step 1

Place the top assembly (A) upside down on a soft surface and then open the drawer.



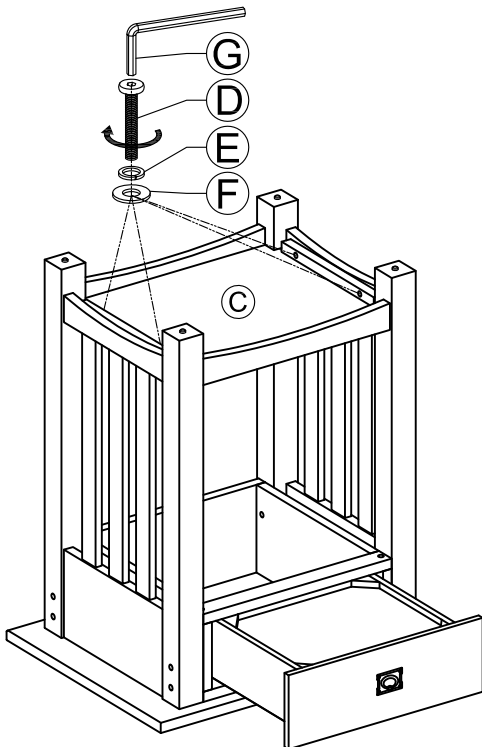
### Step 2

Align the threaded holes in the legs with the holes on the aprons. Secure in place with 4 bolts (D), flat washers (F) and lock washers (E) using the Allen wrench (G).



### Step 3

Attach the shelf (C) to the side panel with bolts (D), flat washers (F) and lock washers (E) using the Allen wrench (G).



### Step 4

Set the assembled table upright, and then attach the corbels (H) to the side frames.

