



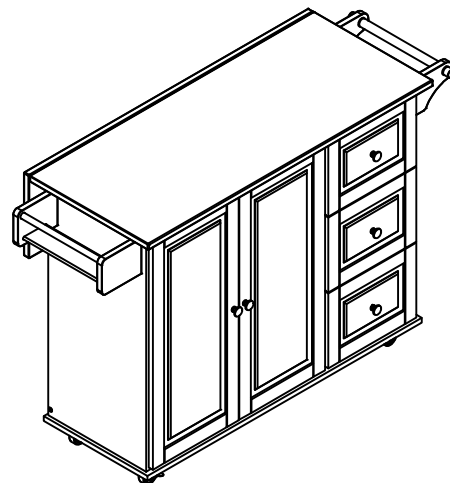
ASSEMBLY INSTRUCTIONS

ASSEMBLY REQUIREMENTS	2 Hours	1-Person Assembly	Tools Required: (Not Provided)	Tools Required: (Not Provided)	
	Assembly Time (Approximate)				

Thank you for purchasing our product!

Please refer and use this assembly instruction to assemble the product. Contact our customer service department in case there are any missing or damage parts or hardware. Replacement parts are normally shipped within 2 or 3 days.

We appreciate your business!



ASSEMBLY PREPARATION

1. Remove all packaging materials, staples and packing straps from the carton.
2. Refer to Parts List and Hardware List, and ensure parts and hardware are correct before assembly. Contact customer service for missing parts.
3. Place all wooden parts on a clean, flat and soft surface (e.g. carpet or rug) to prevent scratch and damage to parts.

SAFETY PRECAUTION

1. KEEP ALL HARDWARE PARTS OUT OF REACH OF CHILDREN.
2. DISPOSE PLASTIC PACKAGING MATERIAL IMMEDIATELY TO AVOID ANY RISK OF SUFFOCATION TO CHILDREN AND ANIMALS.

TIPS FOR ASSEMBLY

1. Allow ample room for assembly and in close proximity to where product will be placed.
2. Assemble the product on a surface that does not scratch or damage the exterior gloss and finish of the furniture.
3. Identify all of the parts, hardware and quantities required for each step.
4. During assembly, do not over-tighten any fittings as this may cause damage.
5. DO NOT USE POWER TOOLS TO ASSEMBLE THIS PRODUCT.
6. Always place the product on a flat, level surface.
7. Do not sit or stand on the partially assembled product; only use the product for which it is intended.

CARE AND MAINTENANCE

- Use a slightly damp cloth to clean the product. Do not use bleach or abrasive cleaning material.
- Check all the fittings periodically and re-tighten as necessary. Do not use the product if any of the parts is damaged or broken.
- Never allow any kind of liquid to remain on your furniture. Absorption can cause wood to warp or delaminate.
- Do not place hot items (e.g. hot drinks) directly onto the wood surface.
- Do not drag and/or pull the furniture.

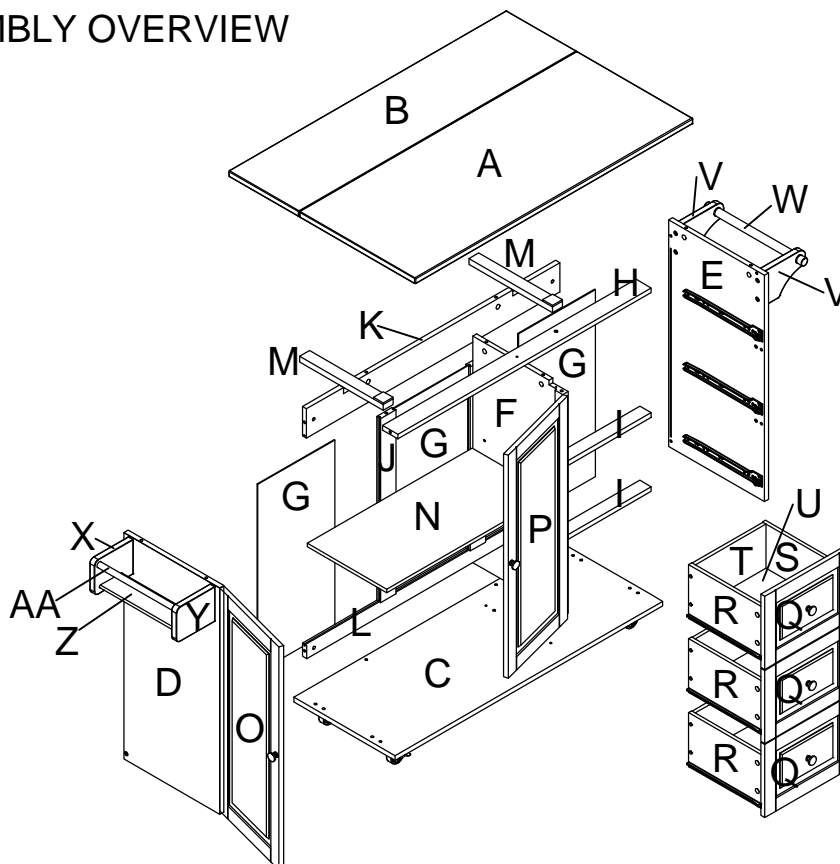
This product is for indoor and household use only - not for commercial use.

ASSEMBLY INSTRUCTIONS

PARTS LIST






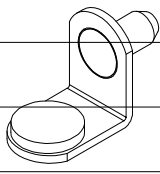
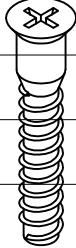
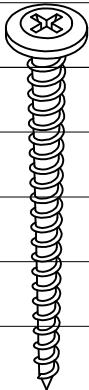
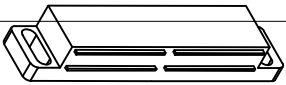
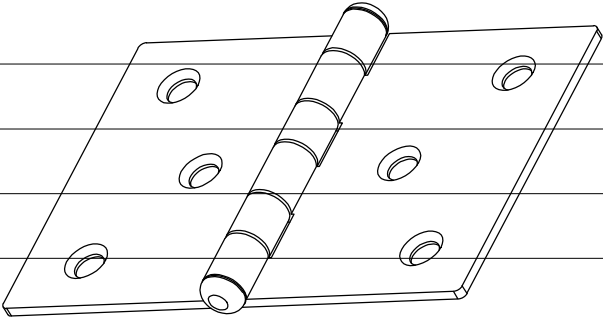


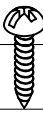

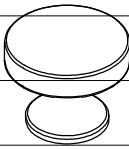
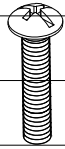
NO. PART NAME	QTY	NO. PART NAME	QTY
(A) Top Main Panel	1	(O) Left Door	1
(B) Top Extension Panel	1	(P) Right Door	1
(C) Bottom Panel	1	(Q) Drawer Front Panel	3
(D) Left Panel	1	(R) Drawer Left Panel	3
(E) Right Panel	1	(S) Drawer Right Panel	3
(F) Middle Panel	1	(T) Drawer Back Panel	3
(G) Back Panel	3	(U) Drawer Bottom Panel	3
(H) Front Top Rail	1	(V) Towel Rack Support	2
(I) Front Center Rail	2	(W) Towel Rod	1
(J) Back Post	2	(X) Spice Rack Left Support	1
(K) Back Top Rail	1	(Y) Spice Rack Right Support	1
(L) Back Bottom Rail	1	(Z) Spice Rack Bottom Panel	1
(M) Top Support	2	(AA) Spice Rack Bar	1
(N) Shelf Panel	1		

ASSEMBLY OVERVIEW

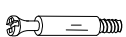


ASSEMBLY INSTRUCTIONS

HARDWARE LIST

						3CM
24X ø6*35mm 1 Cam-bolt	17X ø8*30mm 2 Wood Dowel	24X ø15*9mm 3 Cam-lock	6X ø10*10mm 4 Barrel Nut	14X ø3*30mm 5 Screw	4X ø6.5mm 6 Shelf Holder	2CM
						1CM
						0CM
						6CM
16X ø7*38mm 7 Screw	6X ø5*60mm 8 Screw	1X 70*12mm 9 Door Magnet	3X 76*50mm 10 Hinge			5CM
						4CM
						3CM
						2CM
						1CM
						0CM
						3CM
2X 3" 11 Caster With Lock	2X 3" 12 Caster	16X ø4*15mm 13 Screw	20X 3.5*15mm 14 Screw	5X ø25*21mm 15 Handle	5X ø5/32"*22mm 16 Handle Bolt	2CM
						1CM
						0CM

EXTRA HARDWARE



ø6*35mm
1PC
Cam-bolt



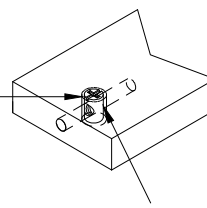
ø15*9mm
2PCS
Cam-lock



ø8*30mm
2PCS
Wood Dowel



ø10*10mm
2PCS
Barrel Nut



If Barrel Nut is missing in a part, use the extra Barrel Nut provided to insert into this hole.

INSTRUCTIONS FOR CAM-BOLT & CAM-LOCK

INSERTING AND TIGHTENING CAM-BOLT

Place Cam-bolt on pre-drilled hole and screw in vertically

SHOULDER

PANEL

Shoulder is flushed (on the same level) with the panel.

PANEL

Shoulder is above the panel.

Place Cam-bolt on the designated pre-drilled holes on the panel. Use a Phillips Screwdriver to screw-in Cam-bolt vertically until shoulder is flushed (on the same level) with panel.

INSERTING CAM-LOCK

Insert Cam-lock with arrow align to Cam-bolt head

CORRECT

WRONG

Align the arrow on the Cam-lock to the Cam-bolt head and insert the Cam-lock. Ensure Cam-lock is fully inserted.

TIGHTENING CAM-LOCK

Use a Flat-head Screwdriver to turn Cam-lock clockwise so it locks onto the head of the Cam-bolt. Turn until it is snug (about 3/4ths of a turn) -- over-tightening could damage Cam-lock or/and Cam-bolt.

Instructions For Barrel Nut

Insert Barrel Nut with the perpendicular hole facing and in-line with the drill hole that the bolt is to be inserted.

STEP 1

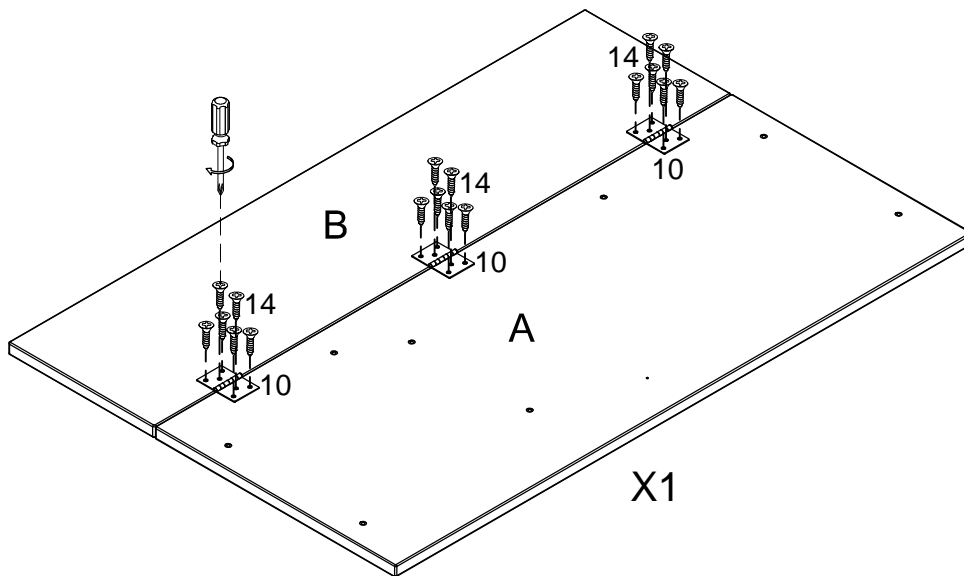
STEP 2

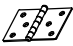

Use a Flat-head Screwdriver to hold Barrel Nut in position before inserting bolt to thread into the Barrel Nut.

ASSEMBLY INSTRUCTIONS

STEP 1

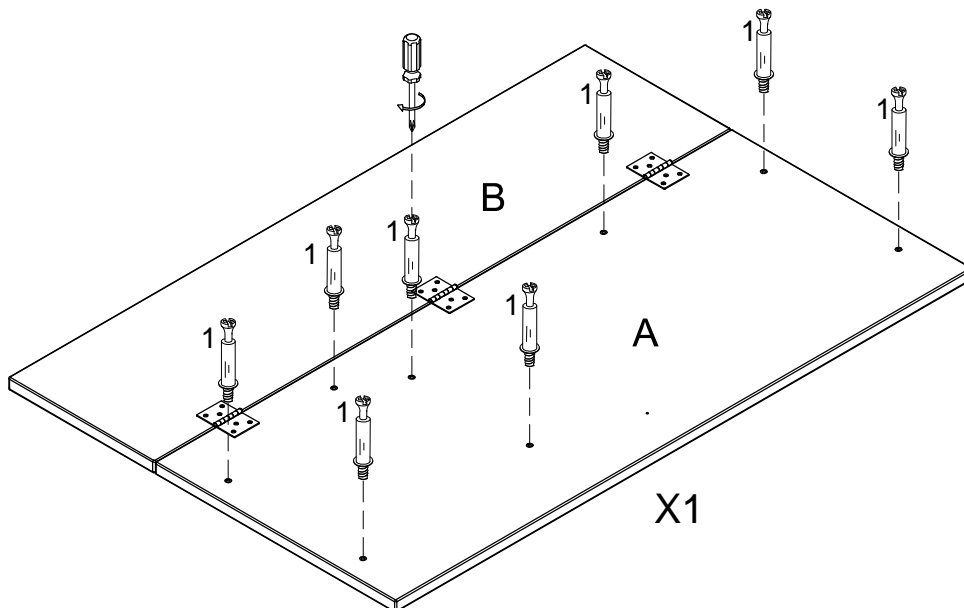
- Lay Top Main Panel (A) and Extension Panel (B) as shown on a material that does not scratch or damage the parts and identify the pilot holes to fasten the hinges.
- Use Screw (14) to fasten the Hinge (10) to (A) and (B). Do not tighten the screws completely until all of the screws are in place on each hinge.




⑩  3PCS
⑭  18PCS

STEP 2

- Screw in Cam-bolt (1) into designated holes as shown. Refer to Page 4 for instructions to screw in and tighten Cam-bolt.

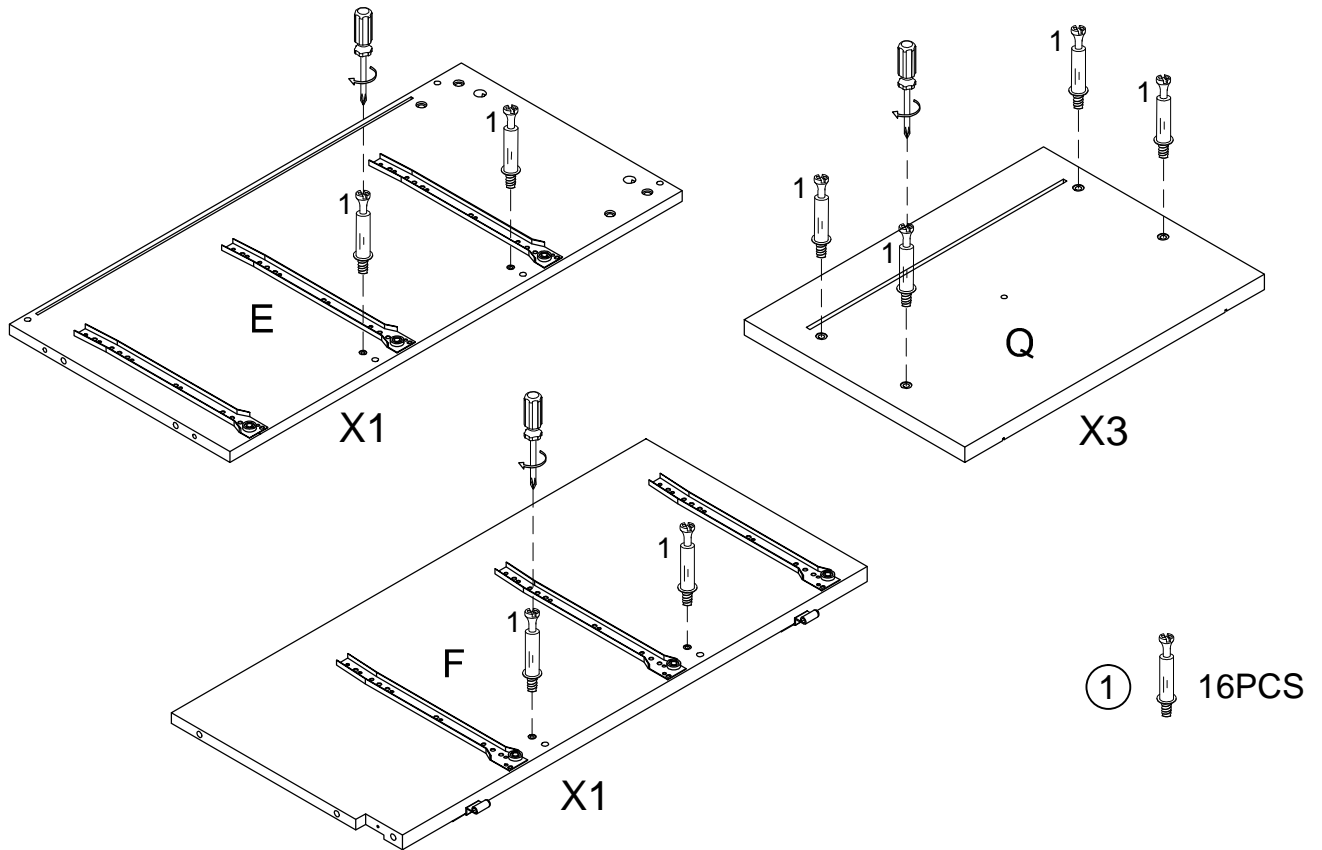


①  8PCS

ASSEMBLY INSTRUCTIONS

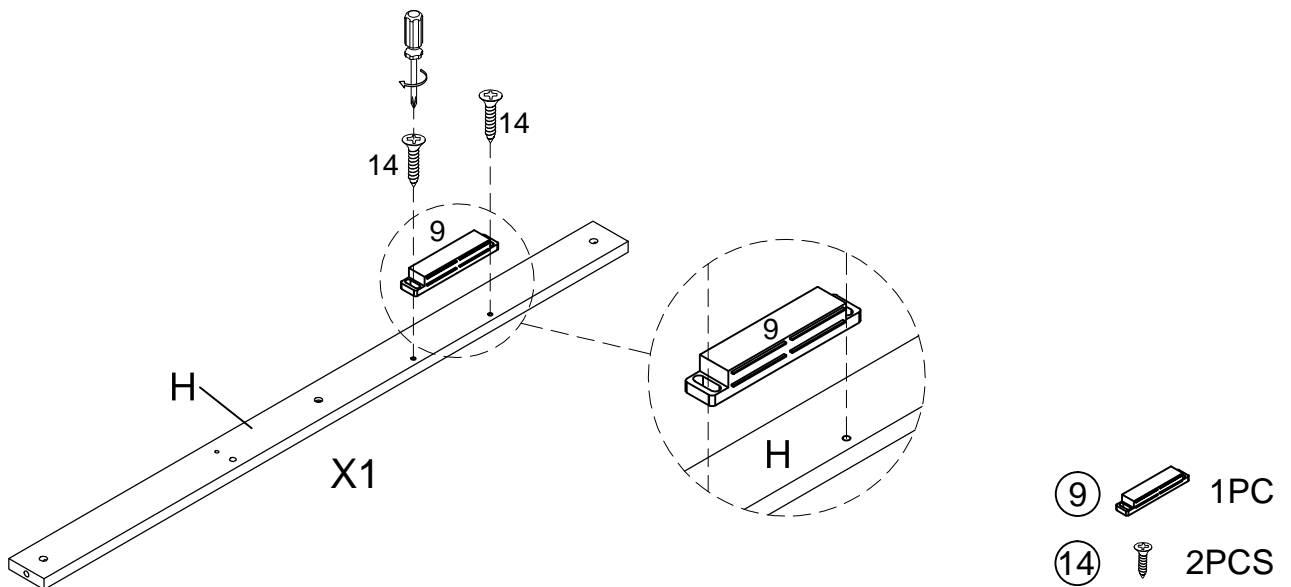
STEP 3

a) Lay Right Panel (E), Middle Panel (F) and Drawer Front Panels (Q) as shown on a material that does not scratch or damage the parts and screw in Cam-bolt (1) into dsignated holes as shown.



STEP 4

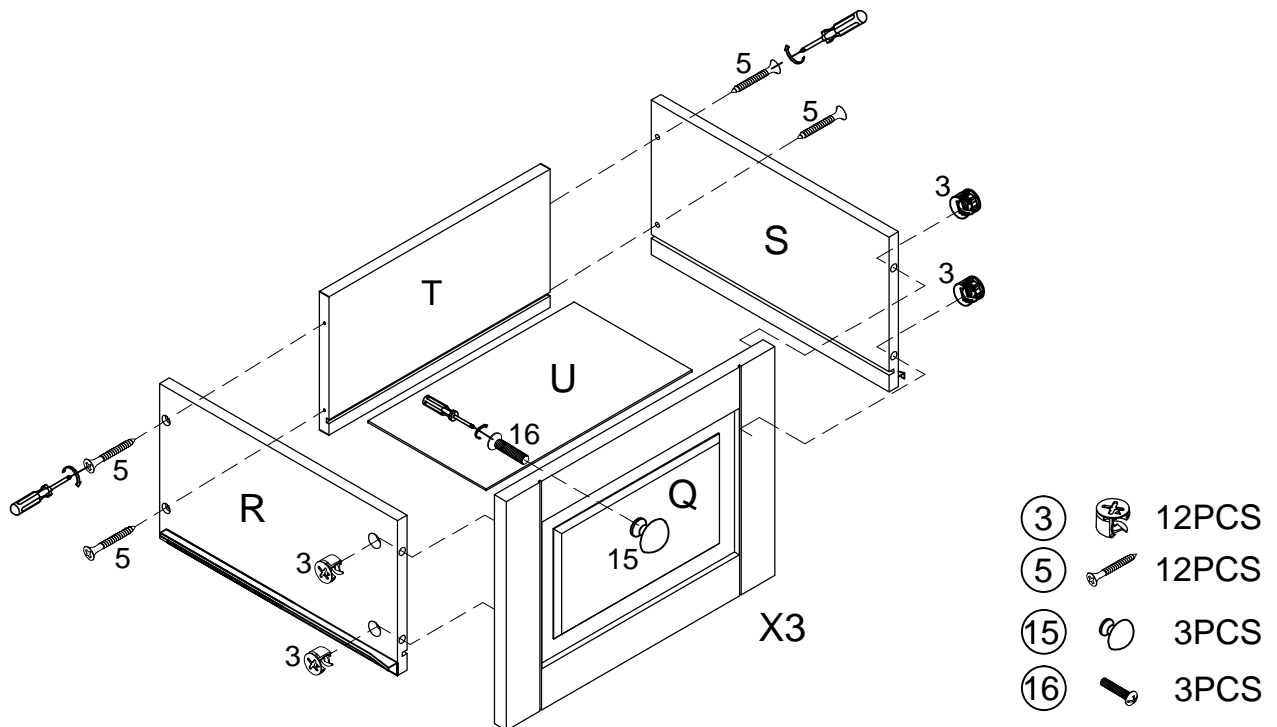
a) Lay Front Top Rail (H) as shown and use Screw (14) to fasten Door Magnet (9) into the designated holes as shown.



ASSEMBLY INSTRUCTIONS

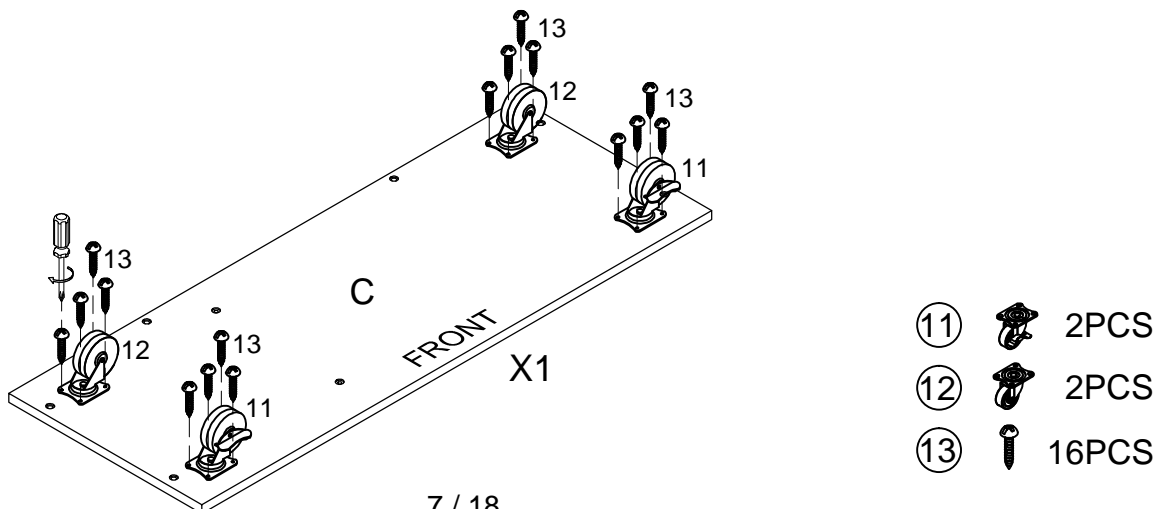
STEP 5

- a) Position Drawer Back Panel (T) between Drawer Left & Right Panel (R & S) as shown. Check that the groove on (R,T & S) are aligned and use Screw (5) to fasten (R & S) to (T).
- b) Fit Drawer Bottom Panel (U) via groove on (R, S & T).
- c) Attach Drawer Front Panel (Q) from STEP 3 to (R & S) via cam-bolts on (Q). Next, insert Cam-lock (3) into designated holes on (R & S) and turn clockwise to lock onto cam-bolt. Refer to Page 4 for instructions on inserting and tightening cam-lock.
- d) Use Handle Bolt (16) to fasten Handle (15) to Front Panel (Q).



STEP 6

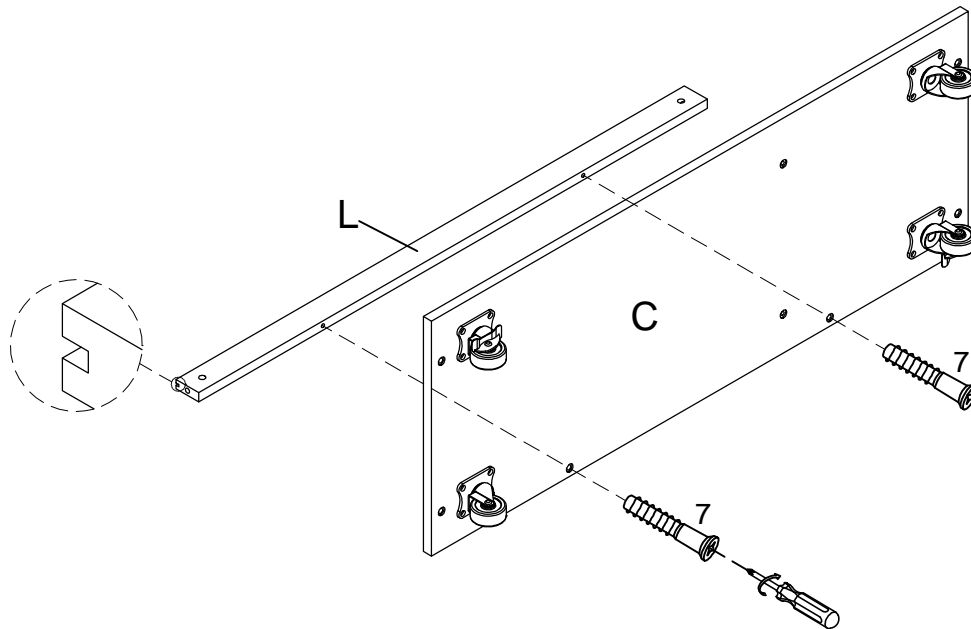
- a) Lay Bottom Panel bottom-side up as shown on a material that does not scratch or damage the part and use Screw (13) to fasten Caster (11 & 12). Note: the placement of Casters with Lock (11) are at the front edge of (C). Do not tighten the screws completely until all of the screws are in place on each caster.



ASSEMBLY INSTRUCTIONS

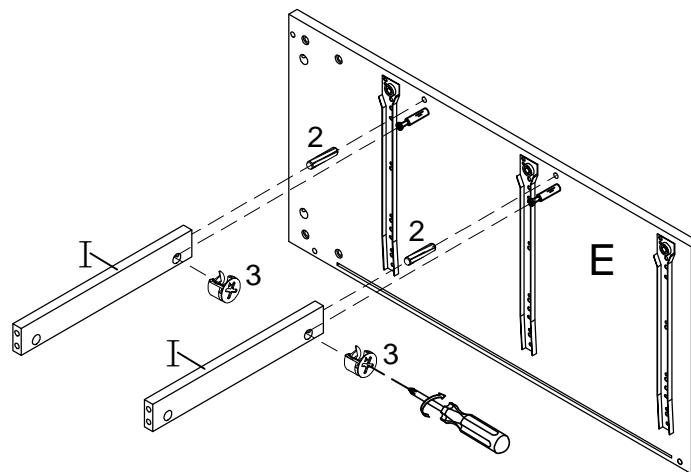
STEP 7

- With assistance, Lay Bottom Panel (C) on it side as shown.
- Position Back Bottom Rail (L) - with the groove edge facing out - to align the screw holes on the bottom side to the screw holes on (C).
- Use Screw (7) to fasten (L) to (C). Do not tighten the s(L) completely until both screws are in place.



STEP 8

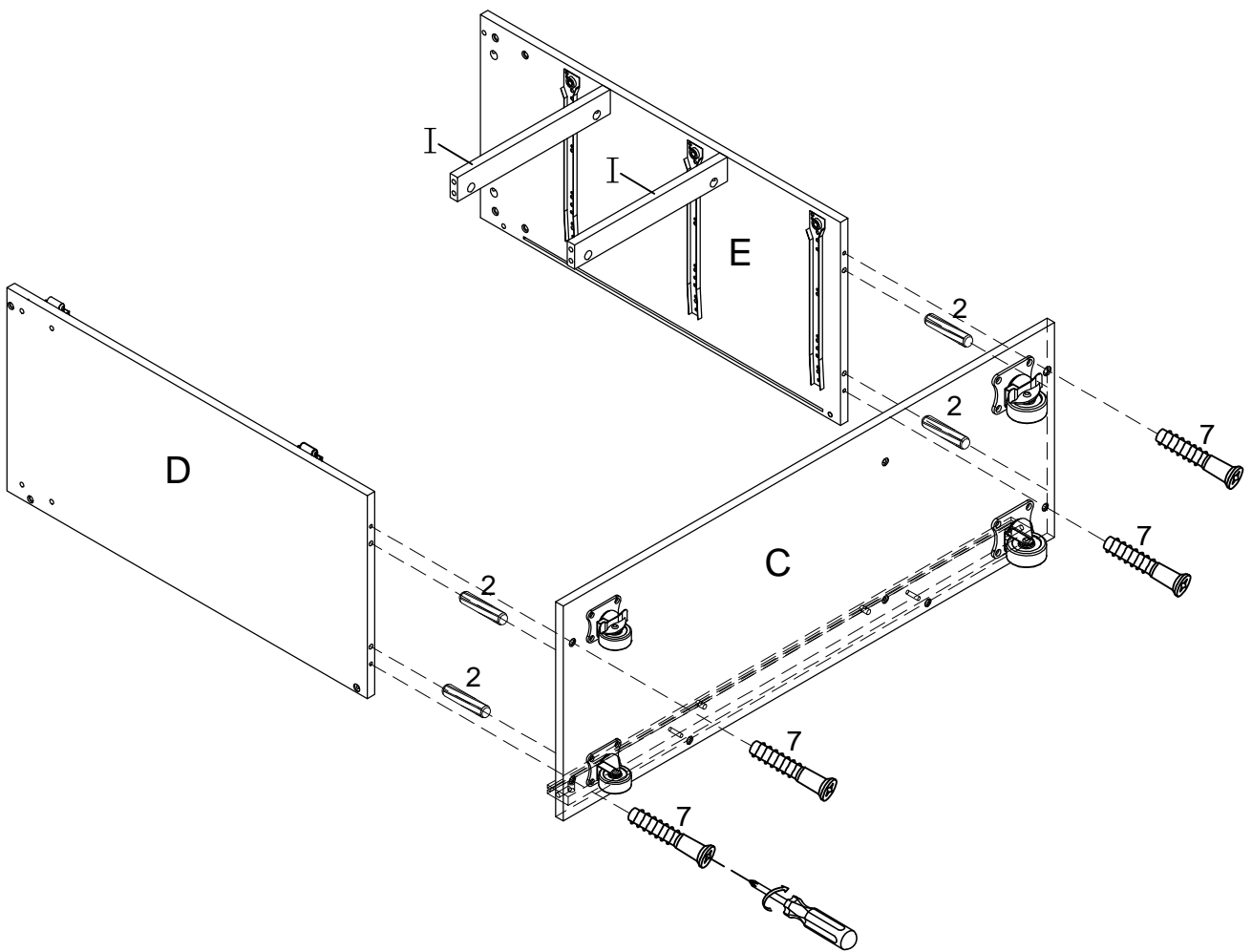
- With assistance, Lay Right Panel (E) on it side as shown and insert Wood Dowel (2) into the designated hole directly above the cam-bolt.
- Attach Front Center Rail (I) to (E) Via cam-bolt and wood dowel.
- Insert Cam-lock (3) into designated hole on (I) and turn clockwise to lock onto cam-bolt.



ASSEMBLY INSTRUCTIONS

STEP 9

- Insert Wood Dowel (2) into the inner 2 holes on the bottom edge of Right Panel (E) and Left Panel (D).
- Attach (D & E) to Bottom Panel (C) via wood dowels.
- Use Screw (7) to fasten (D & E) to (C).

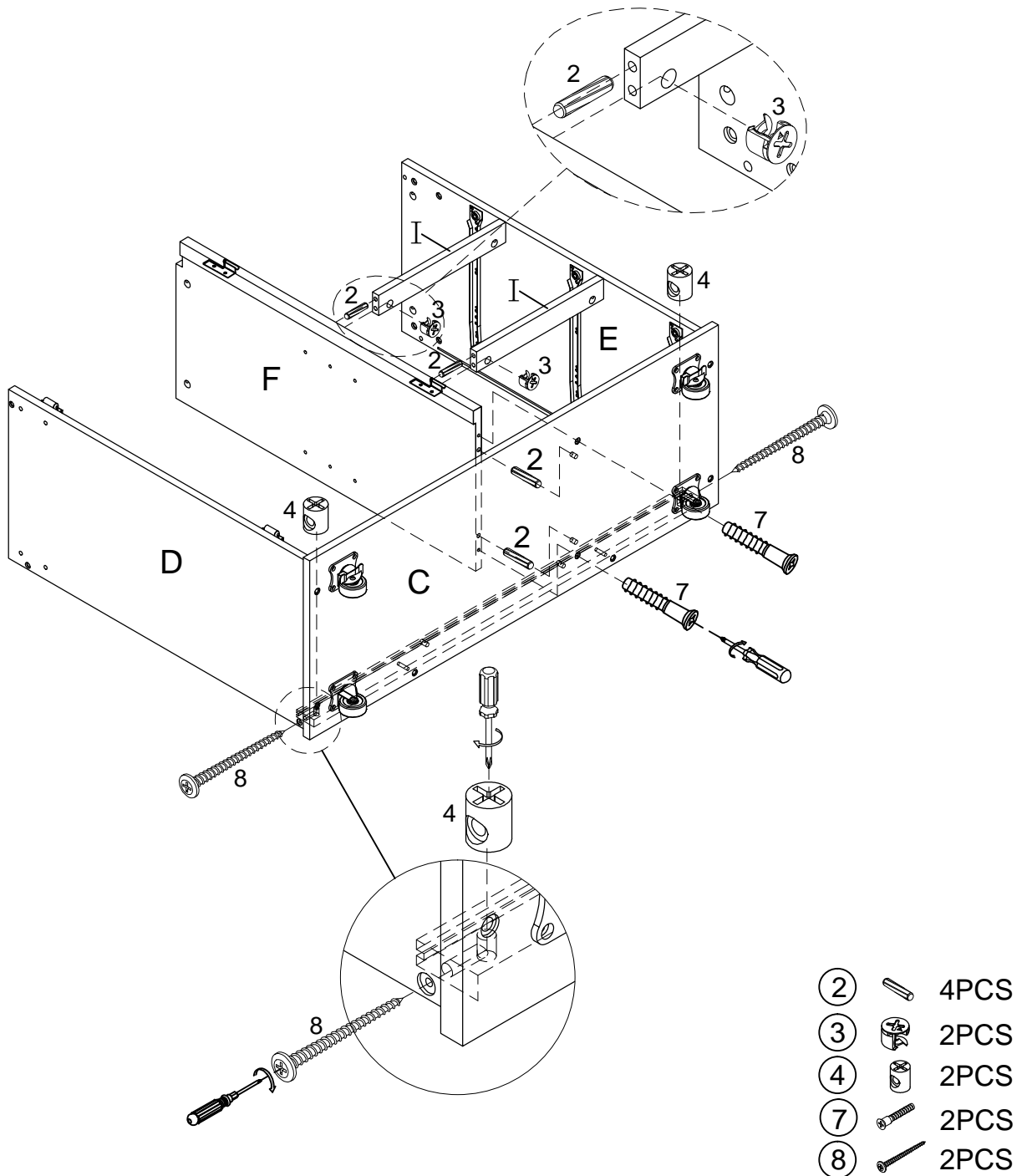


② 4PCS
⑦ 4PCS

ASSEMBLY INSTRUCTIONS

STEP 10

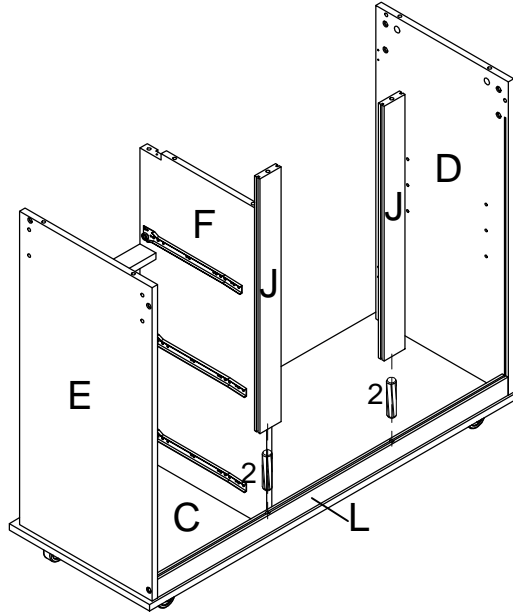
- a) Insert Wood Dowel (2) into designated holes on Front Center Rail (I) and Middle Panel (F) as shown.
- b) Attach (F) to Bottom Panel (C) and (I) .
- c) Use Screw (7) to fasten (F) to (C) .
- d) Insert Cam-lock (3) into designated hole on (I) then turn clockwise to lock onto cam-bolt on (F) .
- e) Insert Barrel Nut (4) into designated hole on Back Bottom Rail (L) . Refer to Page 4 for instructions on installing Barrel Nut.
- f) Insert Screw (8) through the designated hole on (D) to screw onto barrel nut.




ASSEMBLY INSTRUCTIONS

STEP 11

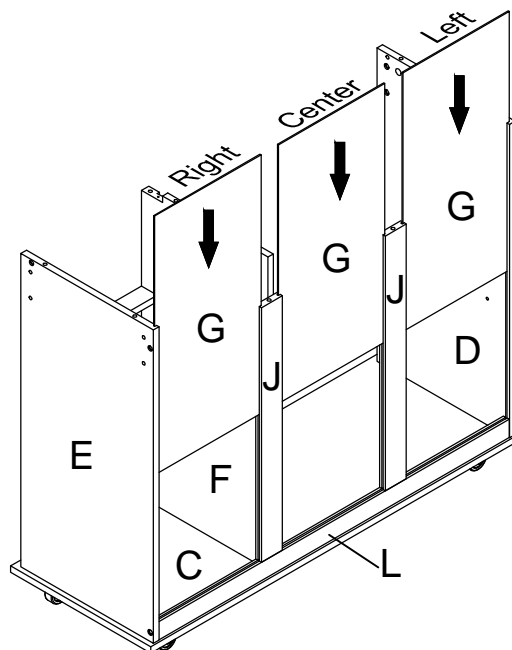
- With assistance, Set the assembly from STEP 10 right side up.
- Insert Wood Dowel (2) into designated holes on Back Bottom Rail (L) and attach Back Post (J) to (L) via wood dowels.



②  2PCS

STEP 12

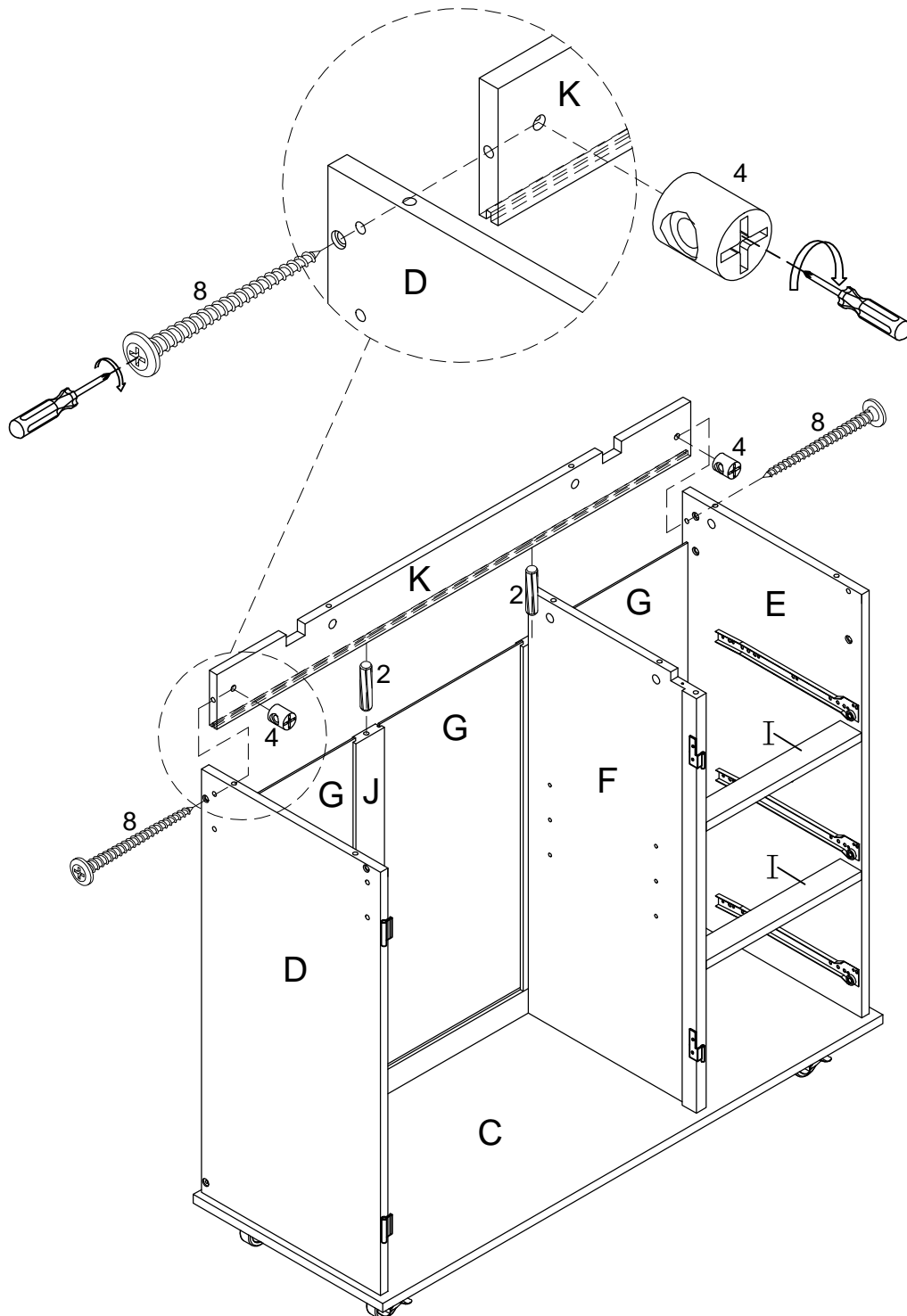
- Fit Right Back Panel (G) via groove on Right Panel (E) and Back Post (J).
 - Fit Center Back Panel (G) via groove on Back Post (J).
 - Fit Left Back Panel (G) via groove on Left Panel (D) and Back Post (J).
- Check that the bottom edge of (G) fits into the groove on Back Bottom Rail (L).



ASSEMBLY INSTRUCTIONS

STEP 13

- Insert Wood Dowel (2) into designated hole on both Back Post (J).
- Attach Back Top Rail (K) to (J) via wood dowel and fit between Side Panels (D & E) . . . [TBD groove on (K) to fit top edge of (G)].
- Insert Barrel Nut (4) into designated hole on (K).
- Insert Screw (8) through the designated hole on (D & E) to screw onto barrel nut.
Do not tighten (8) completely until both screws are threaded into the barrel nut.

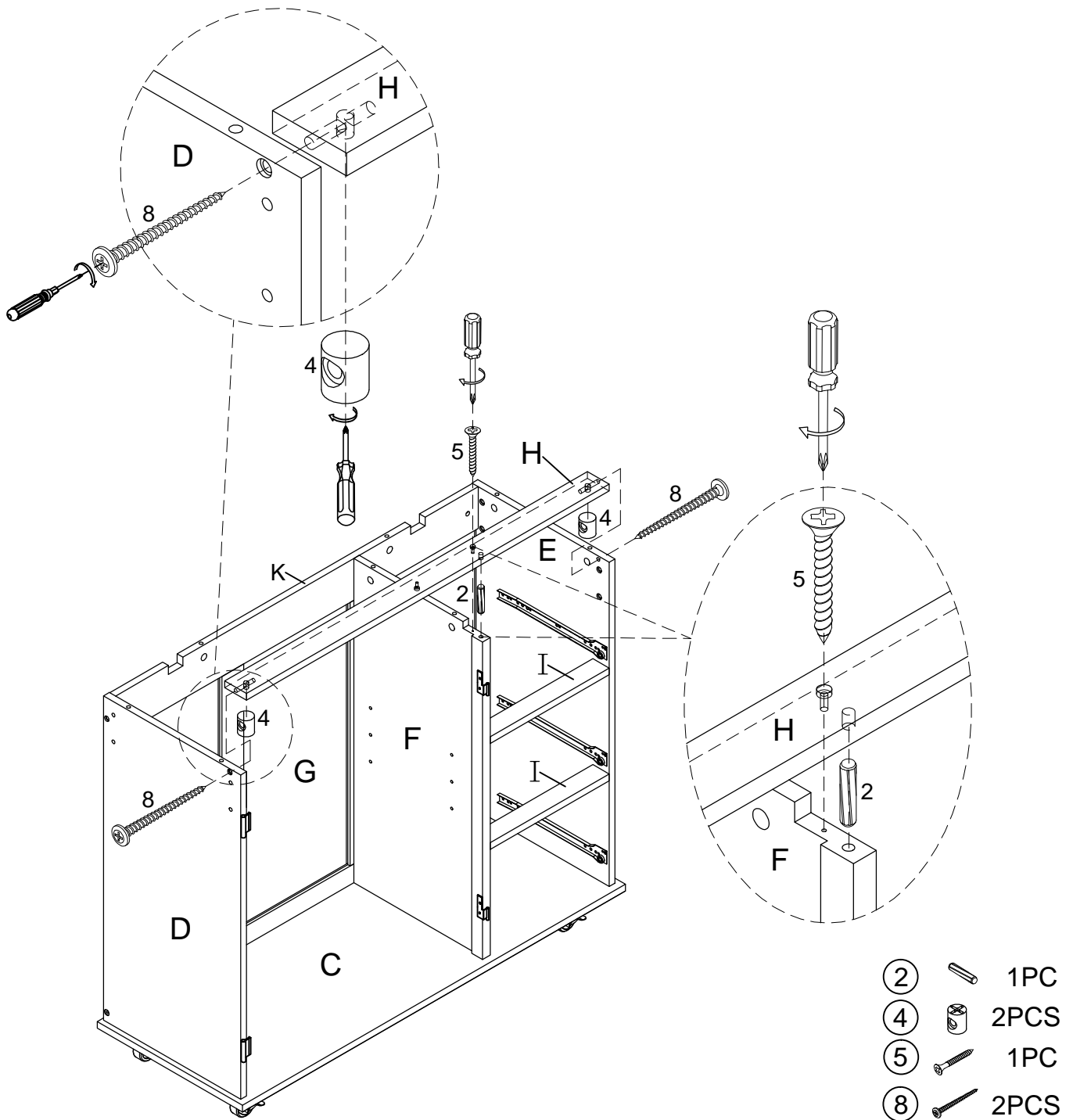


②		2PCS
④		2PCS
⑧		2PCS

ASSEMBLY INSTRUCTIONS

STEP 14

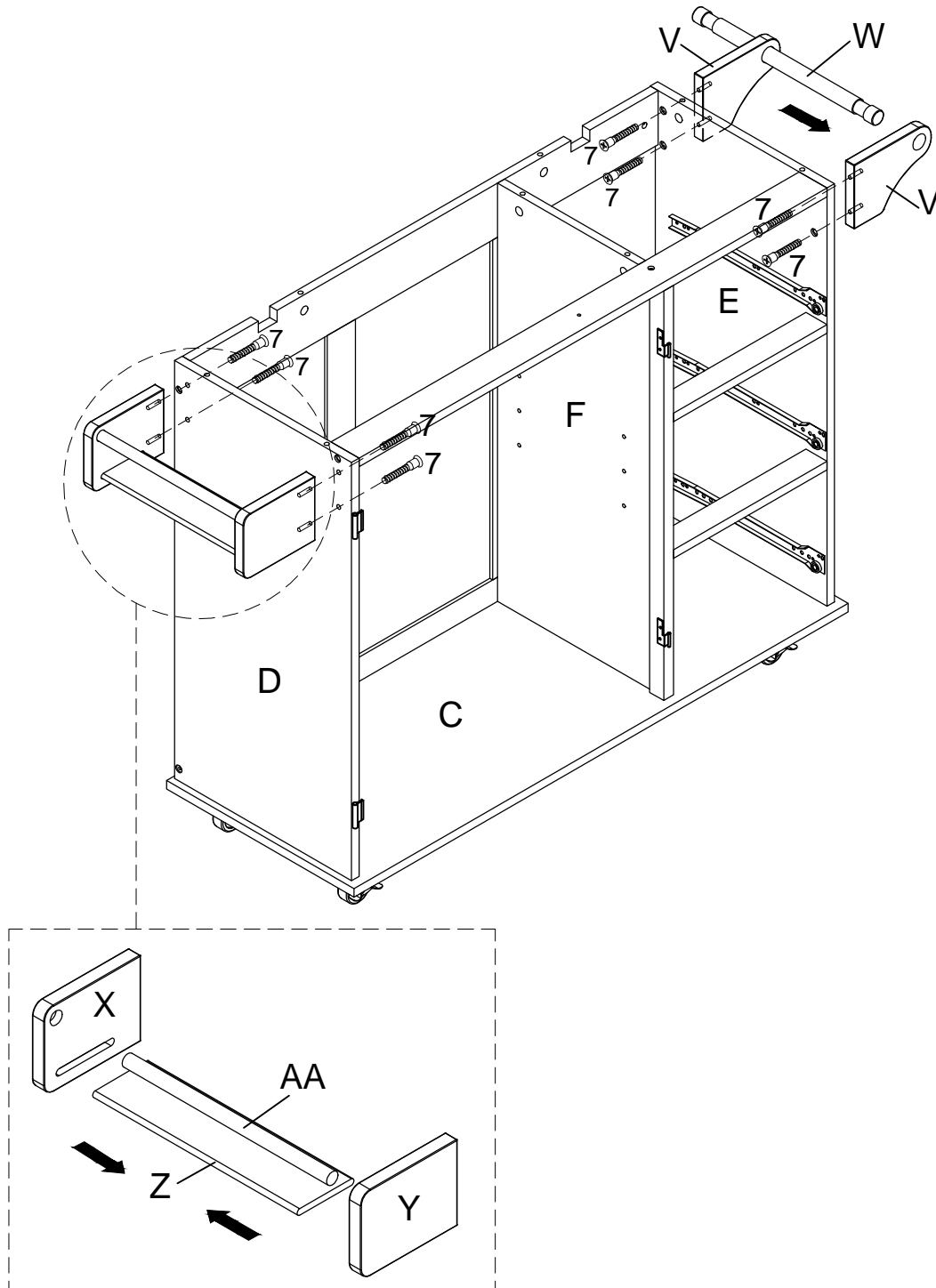
- a) Insert Wood Dowel (2) into the designated front hole on top edge of Middle Panel (F) as shown below.
- b) Attach Front Top Rail (H) to (F) via wood dowel and fit between Side Panels (D & E).
- c) Insert Barrel Nut (4) into designated hole on (H).
- d) Insert Screw (8) through the designated hole on (D & E) to screw onto barrel nut.
- Do not tighten (8) until both screws are threaded into the barrel nut.
- e) Use Screw (5) to fasten (H) to (F).



ASSEMBLY INSTRUCTIONS

STEP 15

- a) Use Screw (7) to fasten Towel Rack Support (V) to Right Panel (E). Do not tighten (7) until both screws are in place on (V). Next, insert Towel Rod (W) to fit on the Towel Rack Support.
- b) Use Screw (7) to loosely fasten Spice Rack Left & Right Support (X & Y) to Left Panel (E). Next, fit Spice Rack Bottom Panel (Z) and Bar (AA) between (X & Y) and tighten Screw (7).

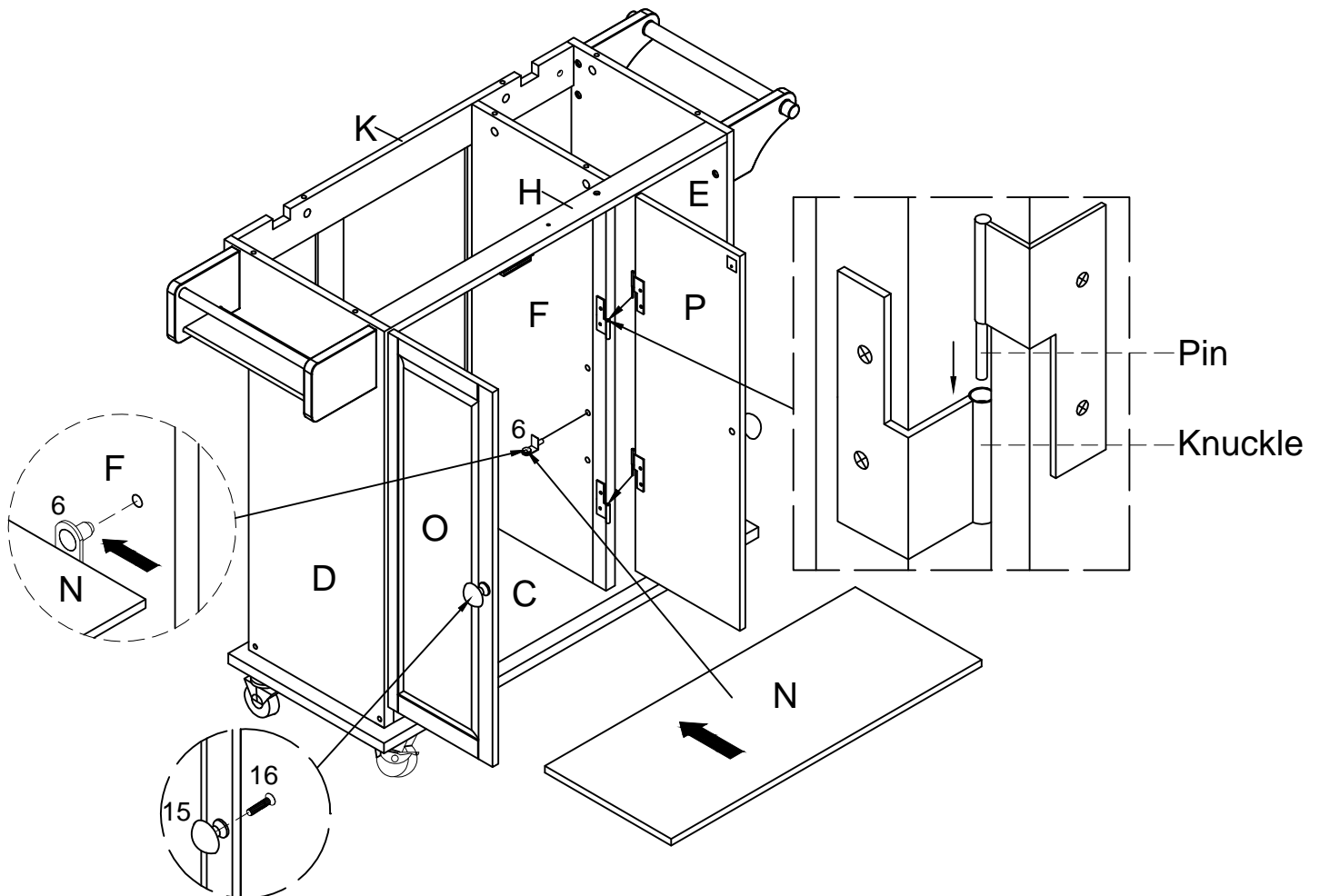





⑦  8PCS

ASSEMBLY INSTRUCTIONS

STEP 16

- Insert Shelf Holder (6) into the designated holes on the same level at the desired height on Left and Middle Panel (D) and (F).
- Place Shelf (N) by tilting it to fit between (D) and (F) and then level it to sit on Shelf Holder (6).
- Insert Left and Right Door (O & P) by inserting the Pin of the male leaf of the slip joint on (O & P) into the Knuckle of the female leaf of the slip joint on (D) and (F).
- Use Screw (16) to affix Handle (15) to (O & P).

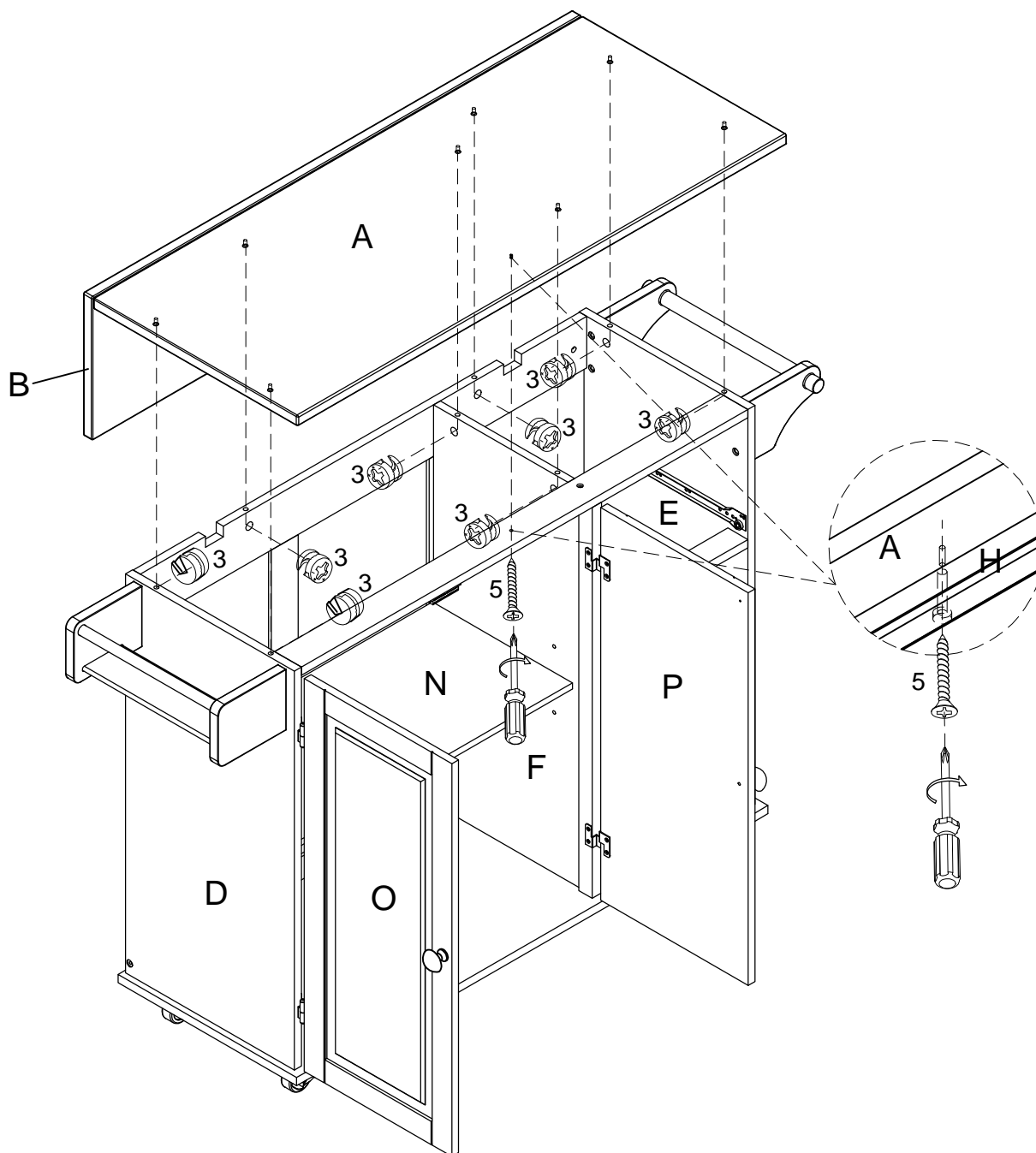




- | | | |
|---|---|------|
| ⑥ |  | 4PCS |
| ⑮ |  | 2PCS |
| ⑯ |  | 2PCS |

ASSEMBLY INSTRUCTIONS

STEP 17

- With assistance, attach Top Panel (A) from STEP 1 to Side Panel (D & E), Middle Panel (F) and Back Top Rail (K) via cam-bolts on (A).
- Insert Cam-lock (3) into designated holes on (D, E, F & K) and turn clockwise to lock onto Cam-bolt to fasten (A).
- Use Screw (5) to fasten (A) to Front Top Rail (H).

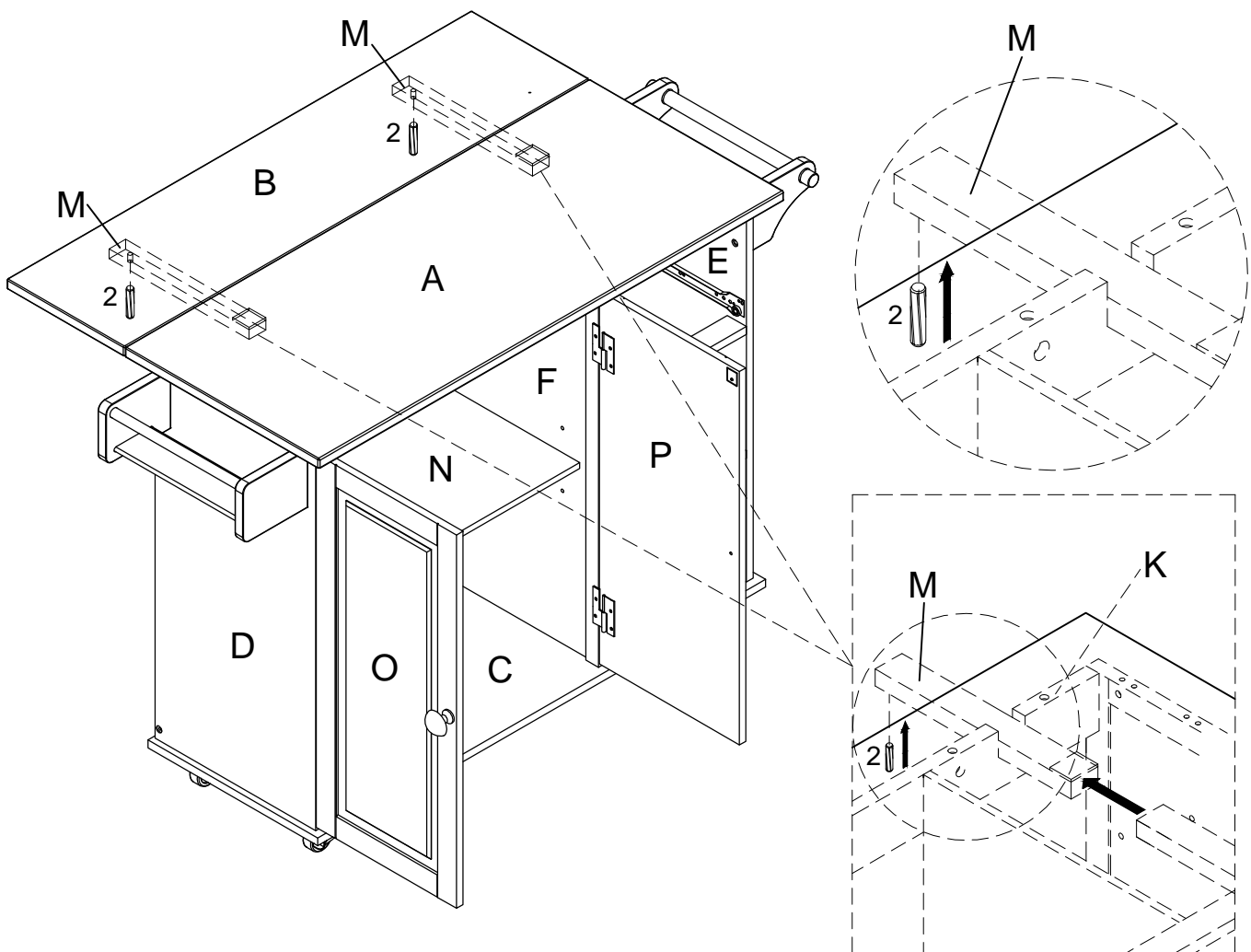



- | | | |
|---|---|------|
| ③ |  | 8PCS |
| ⑤ |  | 1PC |

ASSEMBLY INSTRUCTIONS

STEP 18

- a) Lift Top Extension Panel (B) to level with Top Main Panel (A).
- b) Insert Top Support (M) through the slot on Back Top Rail (K) that is below (A).
Note the orientation of (M) - the hole for Wood Dowel is on the bottom side and the wedge surface is on top side.
- c) Insert Wood Dowel (2) - serving as a stopper - into the designated hole on the bottom side of (M) firmly.



②  2PCS

ASSEMBLY INSTRUCTIONS

STEP 19

Insert the drawers.

To insert drawer:

- a) Align and position rollers on the Drawer Runner (that is fastened to the drawer) above the rollers on the Drawer Tracks (located on the Right and Middle Panel).
- b) Lift the Back Panel end of the drawer slightly upward to position and slide the rollers on the Drawer Runner into the Drawer Tracks, and then push in the drawer squarely and gently.

The assembly of the cart is complete.

