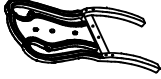












ASSEMBLY INSTRUCTIONS

Dimensions : 17 1/8"W x 20 1/2"D x 42 1/8"H

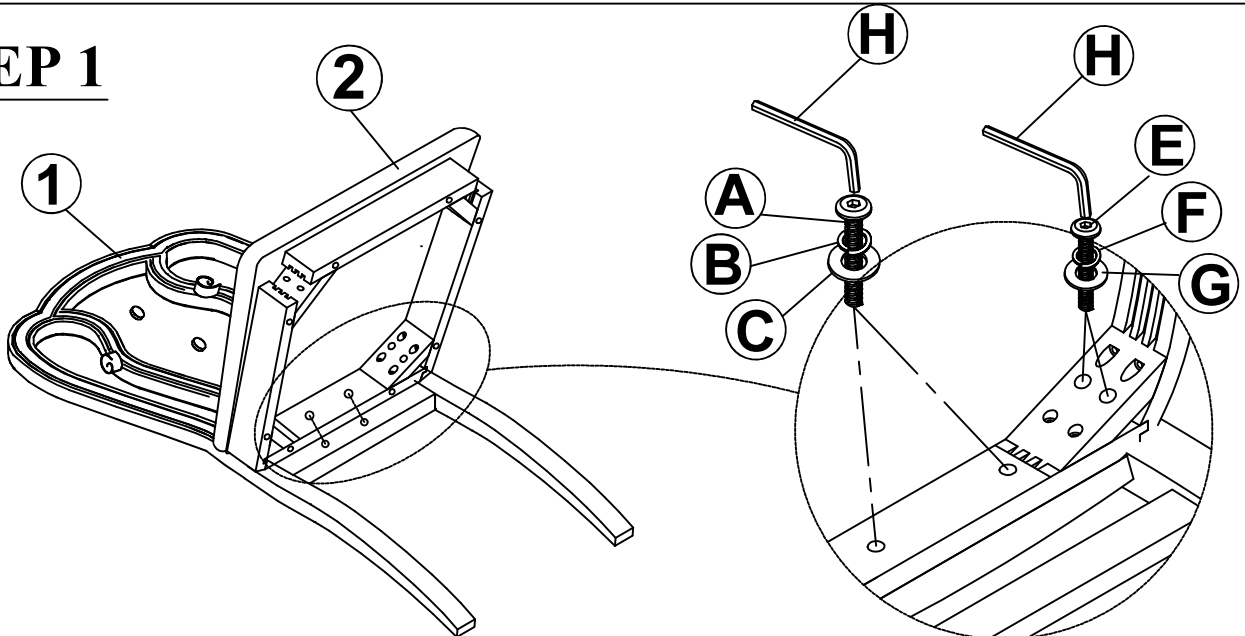
Item No : F1825/F1827

Description : CHAIR

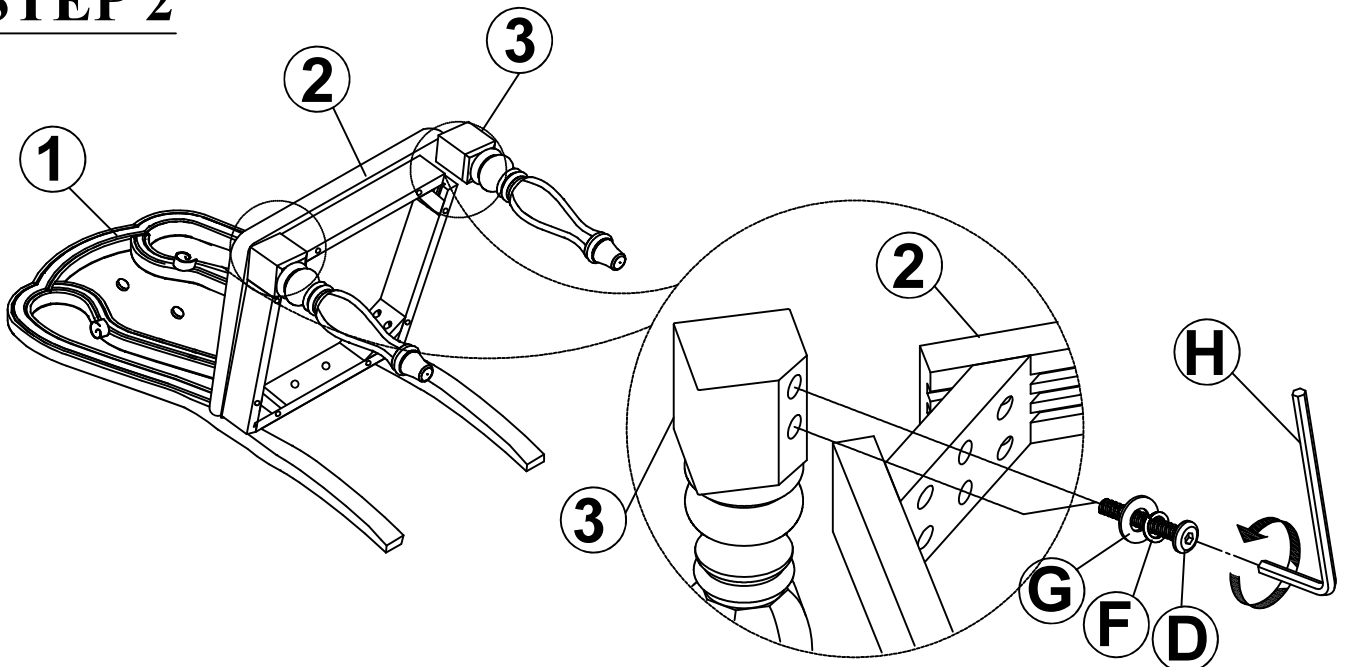
No	LIST OF PARTS	Q'TY
1	Chair Back 	1pc
2	Seat Cushion 	1pc
3	Front Leg 	2pcs

No	LIST OF HARDWARE	Q'TY
A	Long Bolt 	Ø1/4" x 38 mm 2pcs
B	Lock Washer 	Ø1/4" x 10D x 1.1mm 2pcs
C	Flat Washer 	Ø1/4" x 22D x 2mm 2pcs
D	Medium Bolt 	Ø5/16" x 63.5mm 4pcs
E	Short Bolt 	Ø5/16" x 83mm 4pcs
F	Lock Washer 	Ø5/16" x 10D x 1.1mm 8pcs
G	Flat Washer 	Ø5/16" x 22D x 2mm 8pcs
H	Allen Wrench 	4 mm 1pc

STEP 1



STEP 2



STEP 3

