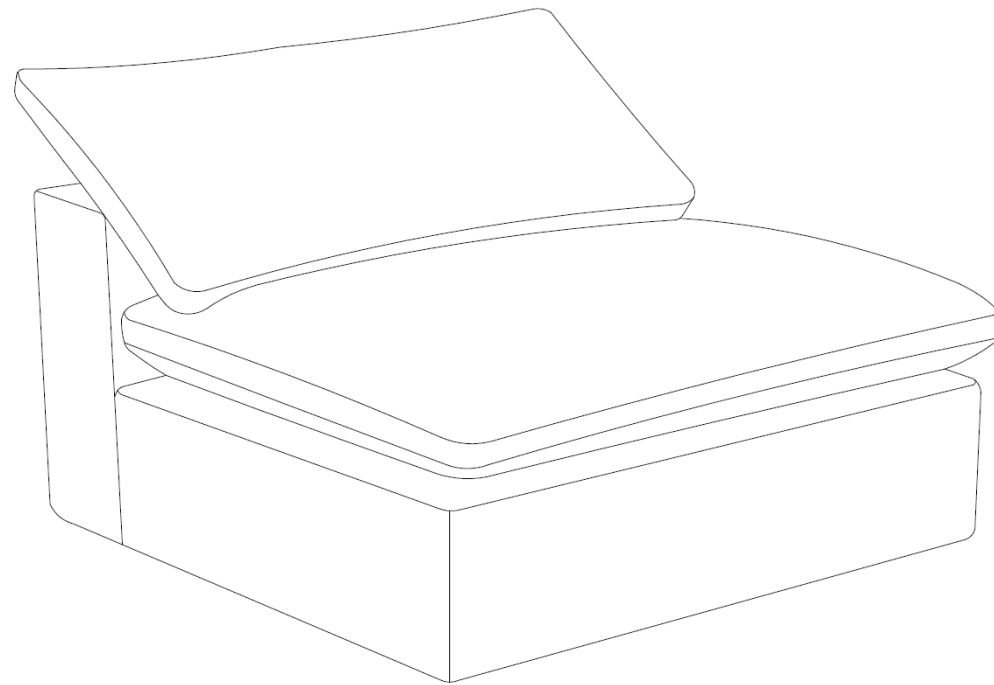


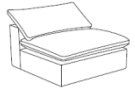


ASSEMBLY INSTRUCTIONS.

SLIPPER CHAIR RESIST FABRIC DESERT SAGE



THANK YOU FOR YOUR PURCHASE!

PARTS AND HARDWARE.

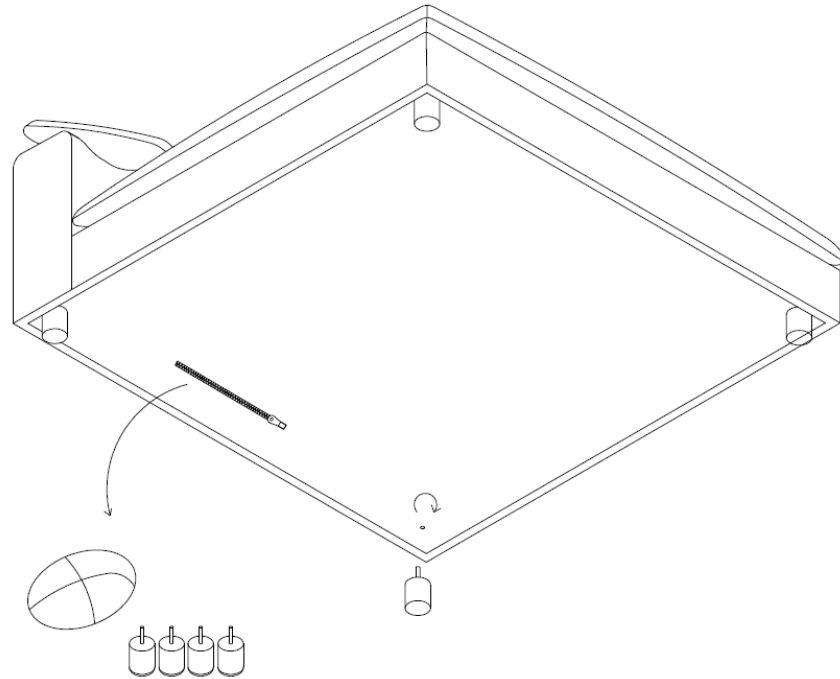
No.	Description	Image	Qty
A	Body		1
B	Wood Legs		4
C	U Clip		2

NOTES.

Thank you for purchasing this quality product! Be sure to check all packing material carefully for small part that may have come loose inside the carton during shipping.

CAUTION: The item is heavy, assembly should be performed by two people.

STEP 1.



STEP 2.

