

Assembly Instructions

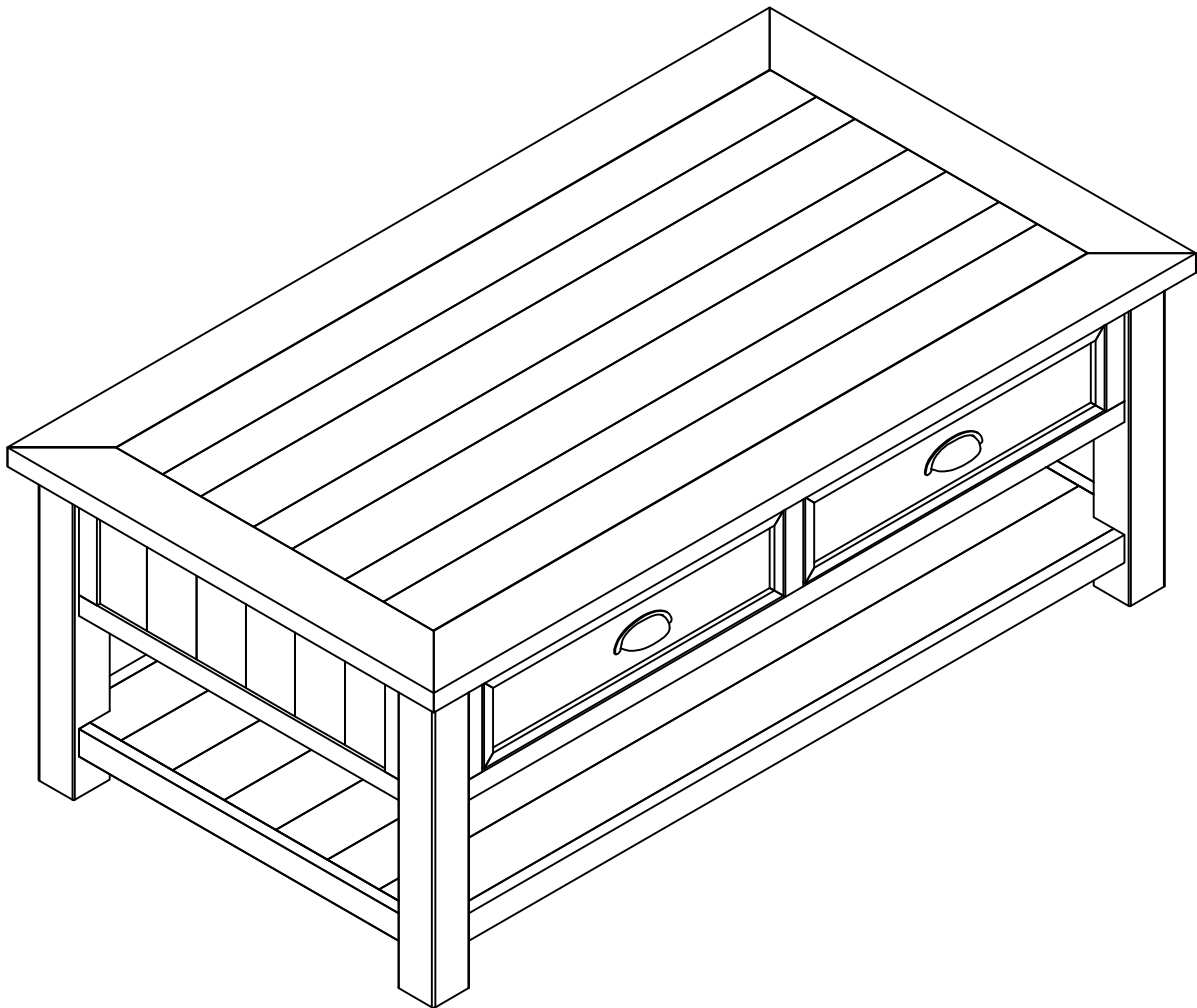
Coffee Table White Stain / Grey Top

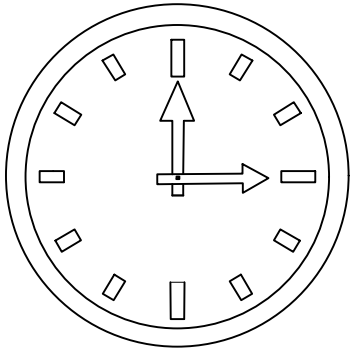
Coffee Table Reclaimed Natural

Coffee Table White Stain

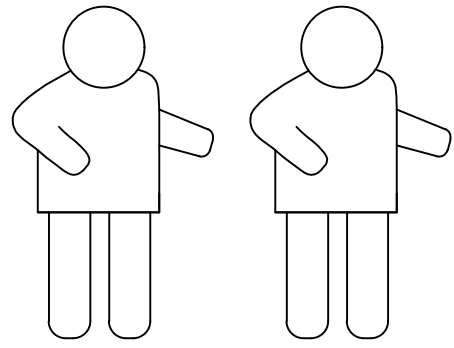
Product Issues? Please Call Us Before Contacting Your Retailer.

**We can help with Assembly Issues, Part Requests, Damages, &
All Other Product Related Questions**

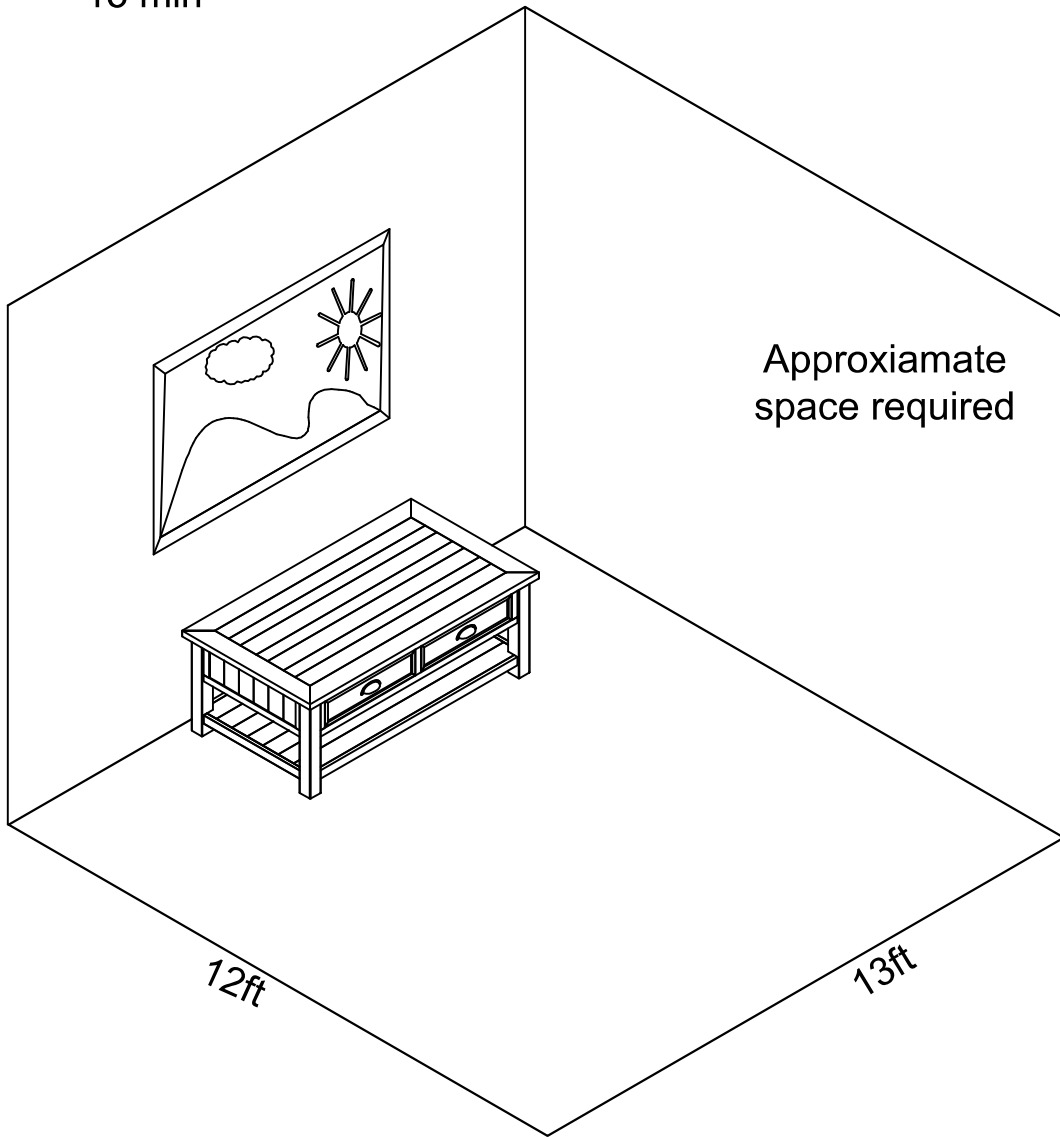




15 min



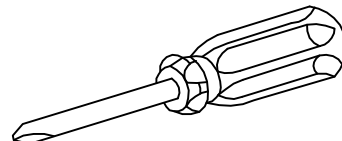
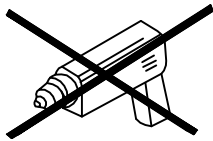
Two People Required



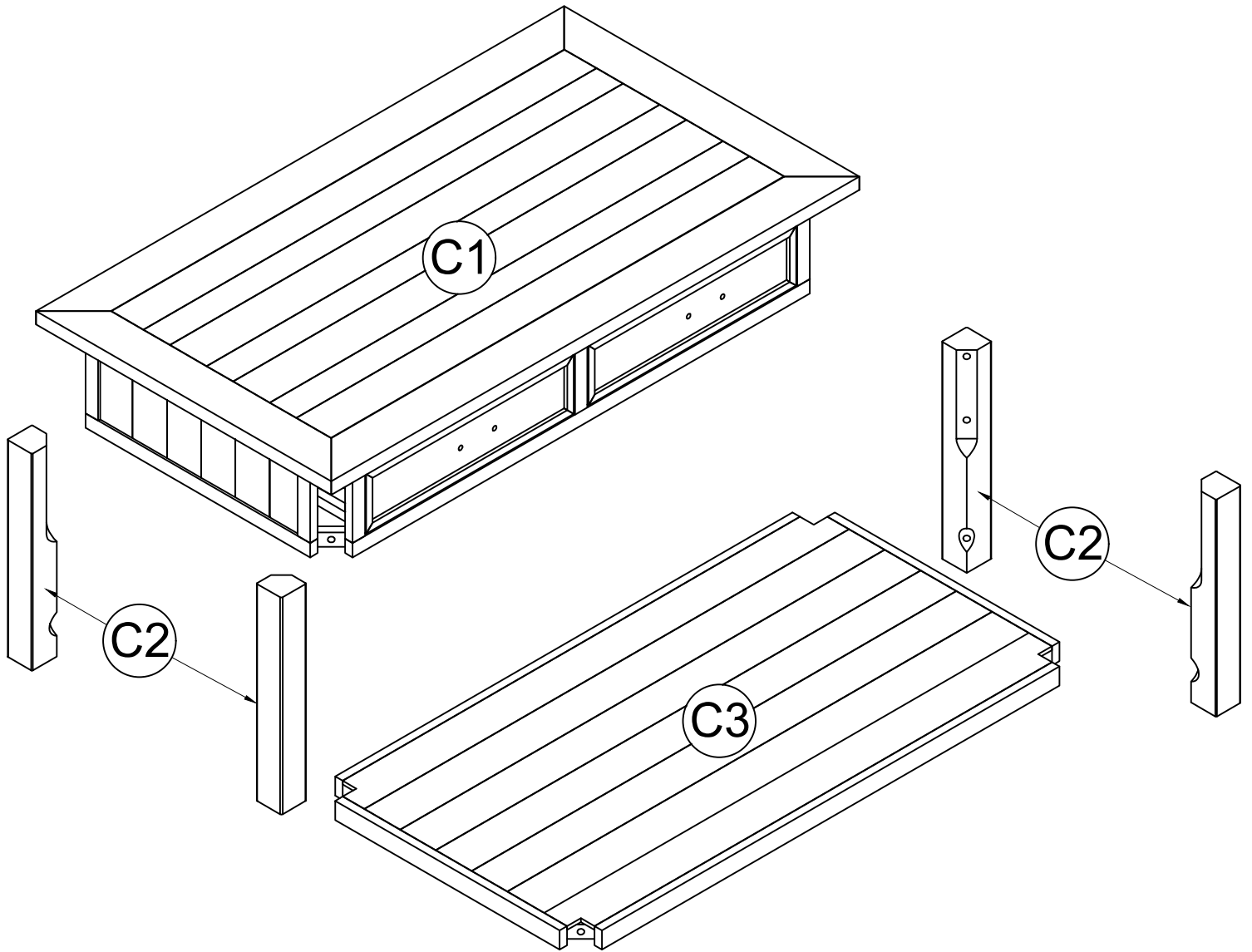
Approximate
space required

12ft

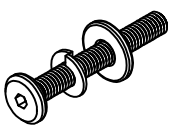
13ft



Phillips Head

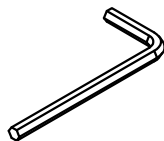


A



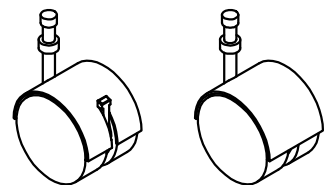
Ø6x60 (mm) : 12 pcs

B



Ø4 : 1 pc

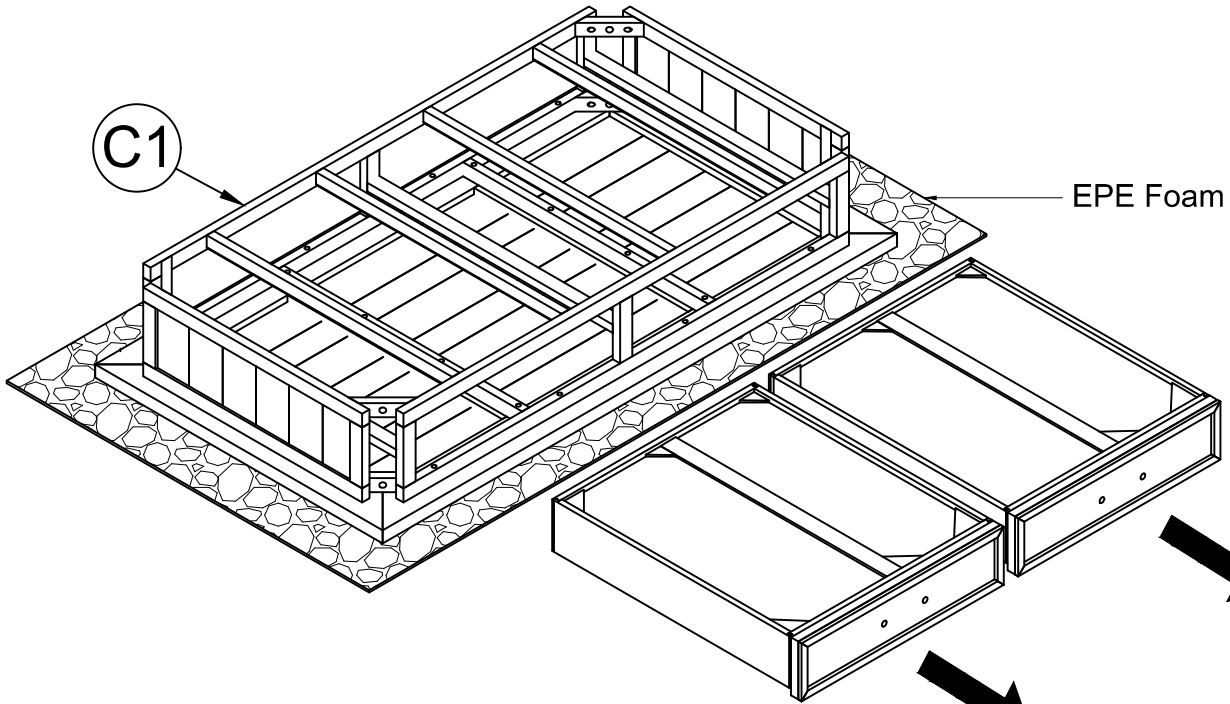
C



4 pcs

1

Please lay all components on smooth flat surface to prevent scratches

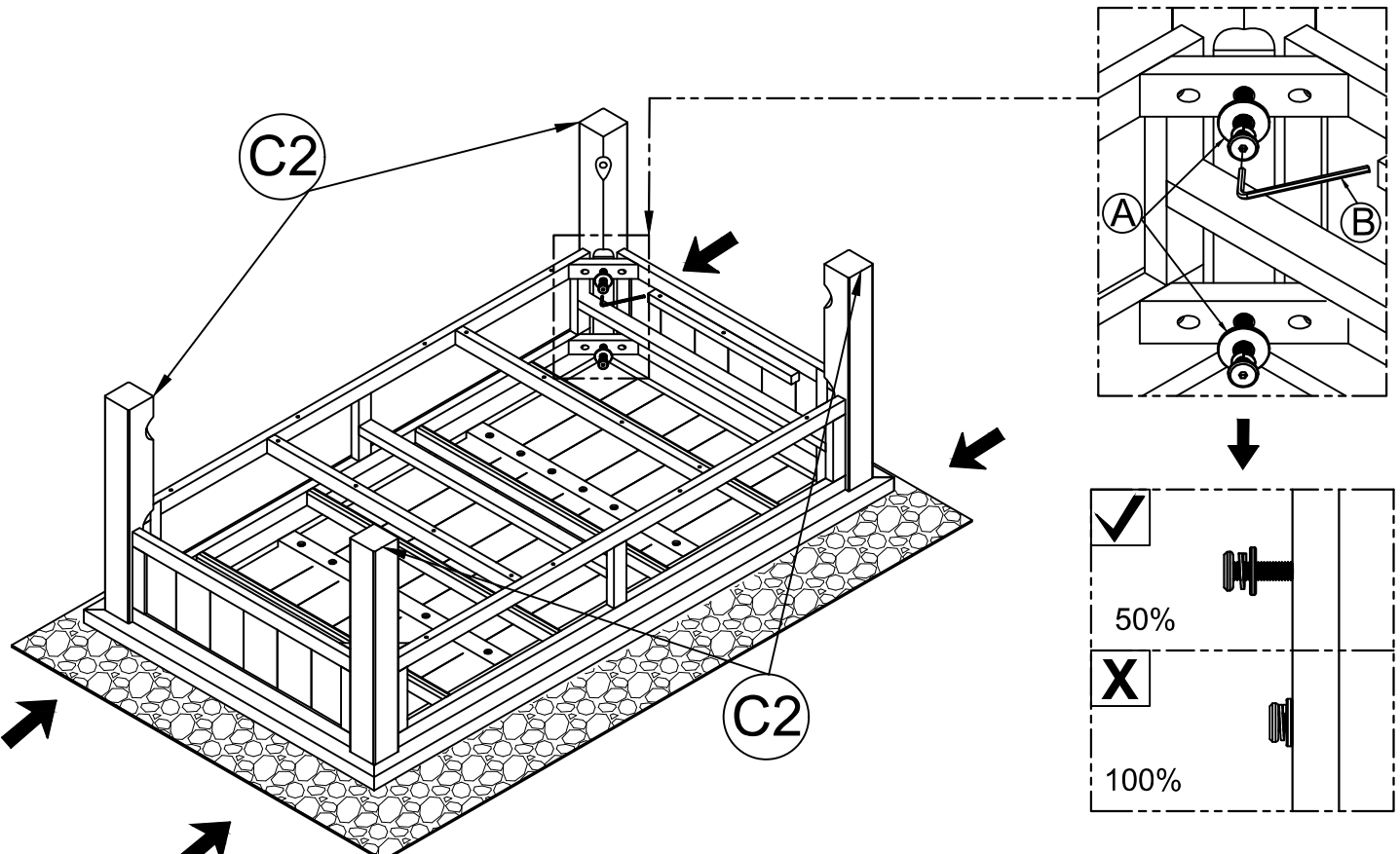
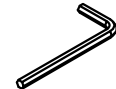


2

A x 8



B x 1

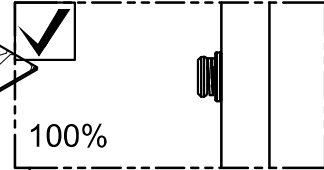
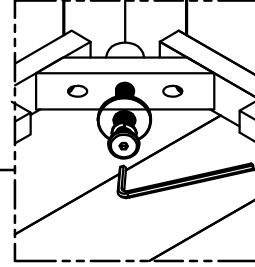
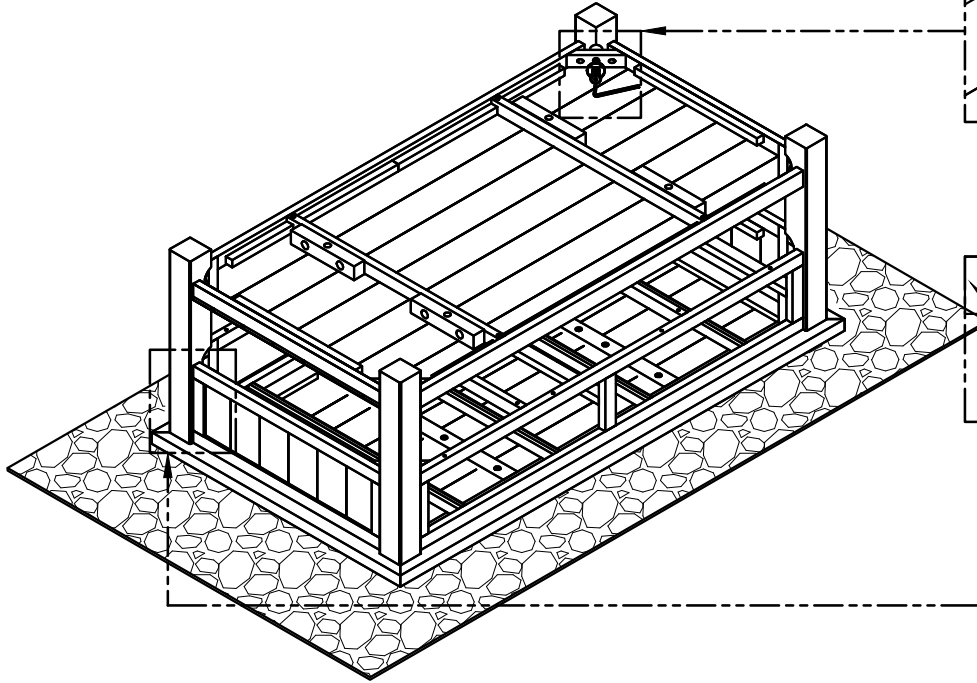
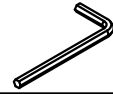


3

A x 4

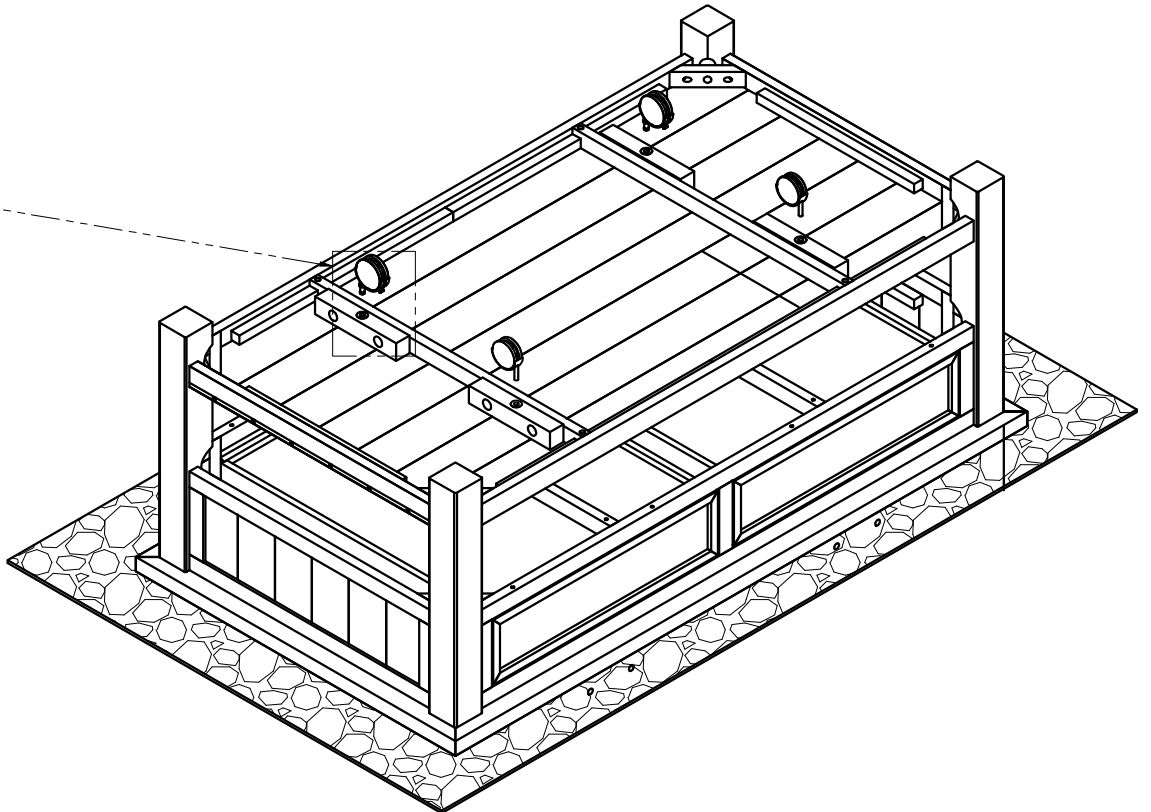
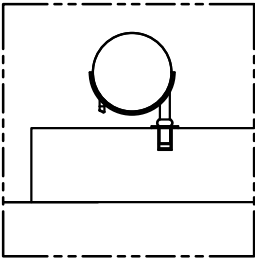
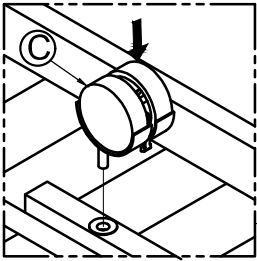
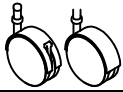


B x 1

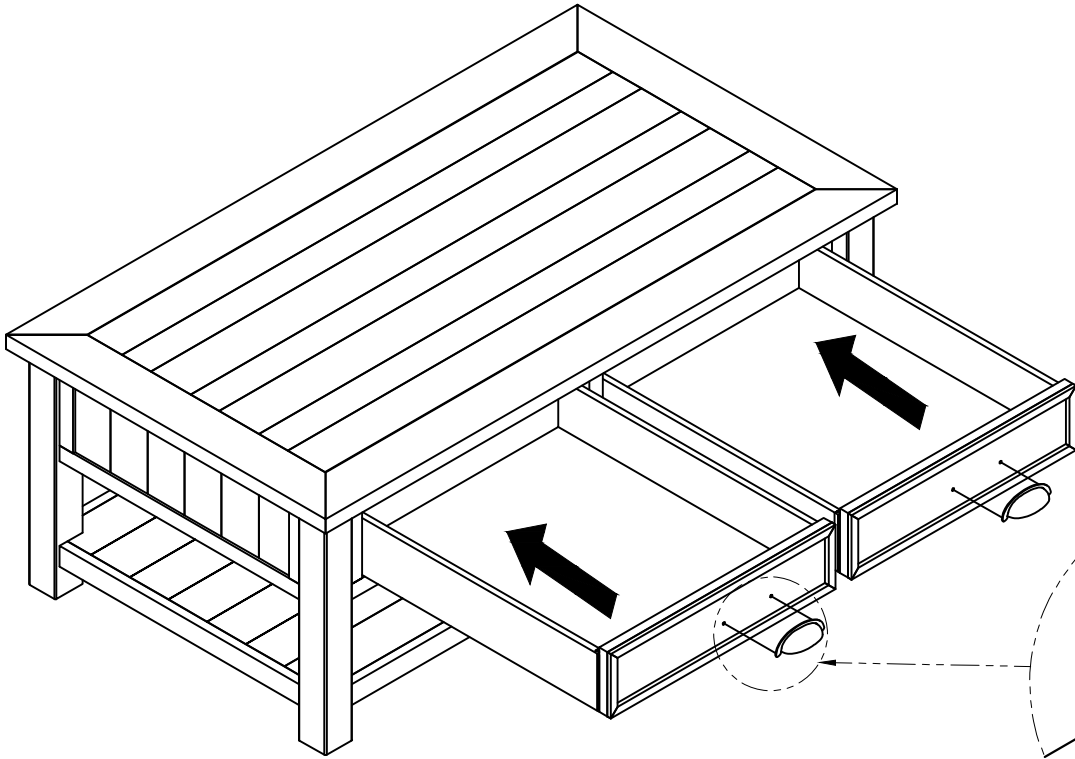
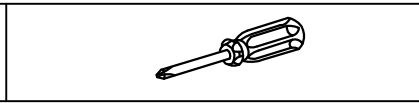


4

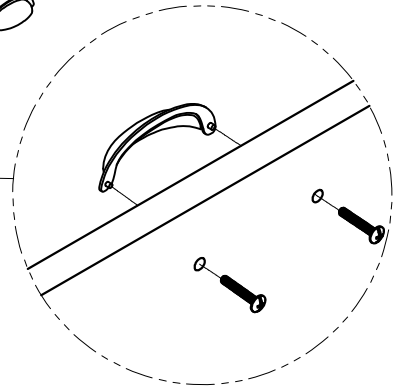
C x 4



5



Handles intentionally placed backwards for shipping purposes. Please remove and re-install as pictured.



6

