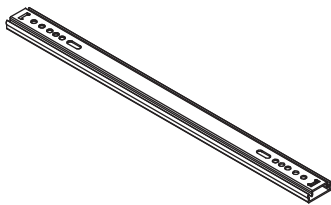
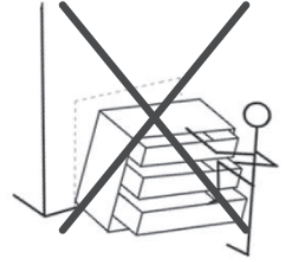
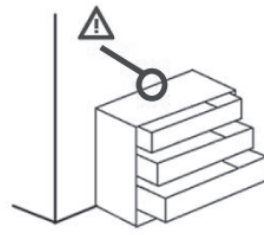
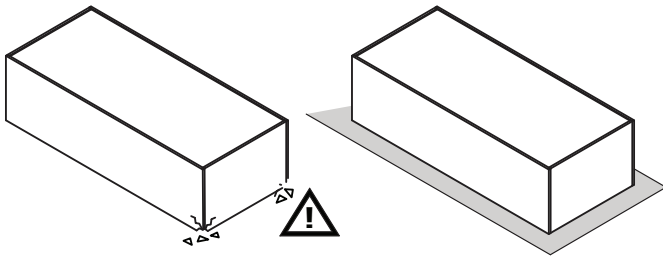
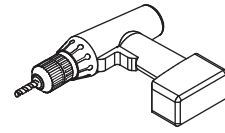
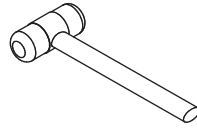
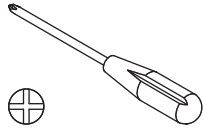
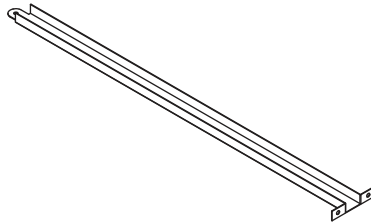


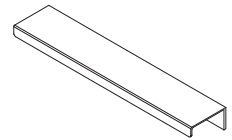
2,5h



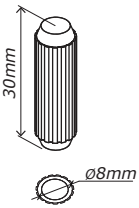
**A34**  
x12



**W420**  
x6



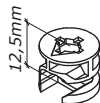
**M94**  
x9



**H1**  
x16



**T28**  
x24



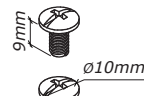
**T7**  
x4



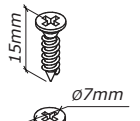
**T98**  
x12



**T99**  
x8



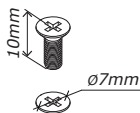
**V38**  
x12



**V5**  
x44



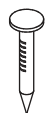
**T53**  
x8



**V107**  
x16



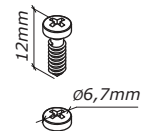
**H2**  
x18



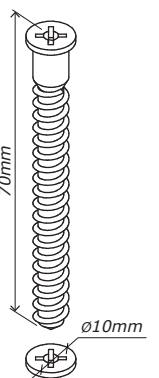
**H15**  
x35



**H54**  
x26



**V98**  
x18



**V115**  
x4



**H113**  
x18



**H139**  
x8



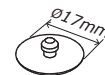
**R40**  
x24



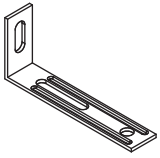
**G31**  
x14



**G128**  
x12



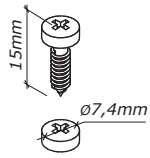
**G57**  
x4



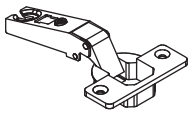
**H185**  
x2



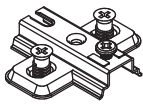
**H129**  
x4



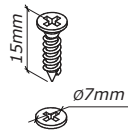
**V81**  
x4



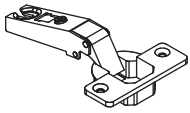
**C66**  
x2



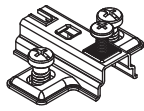
**B30**  
x2



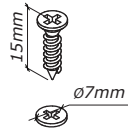
**V5**  
x4



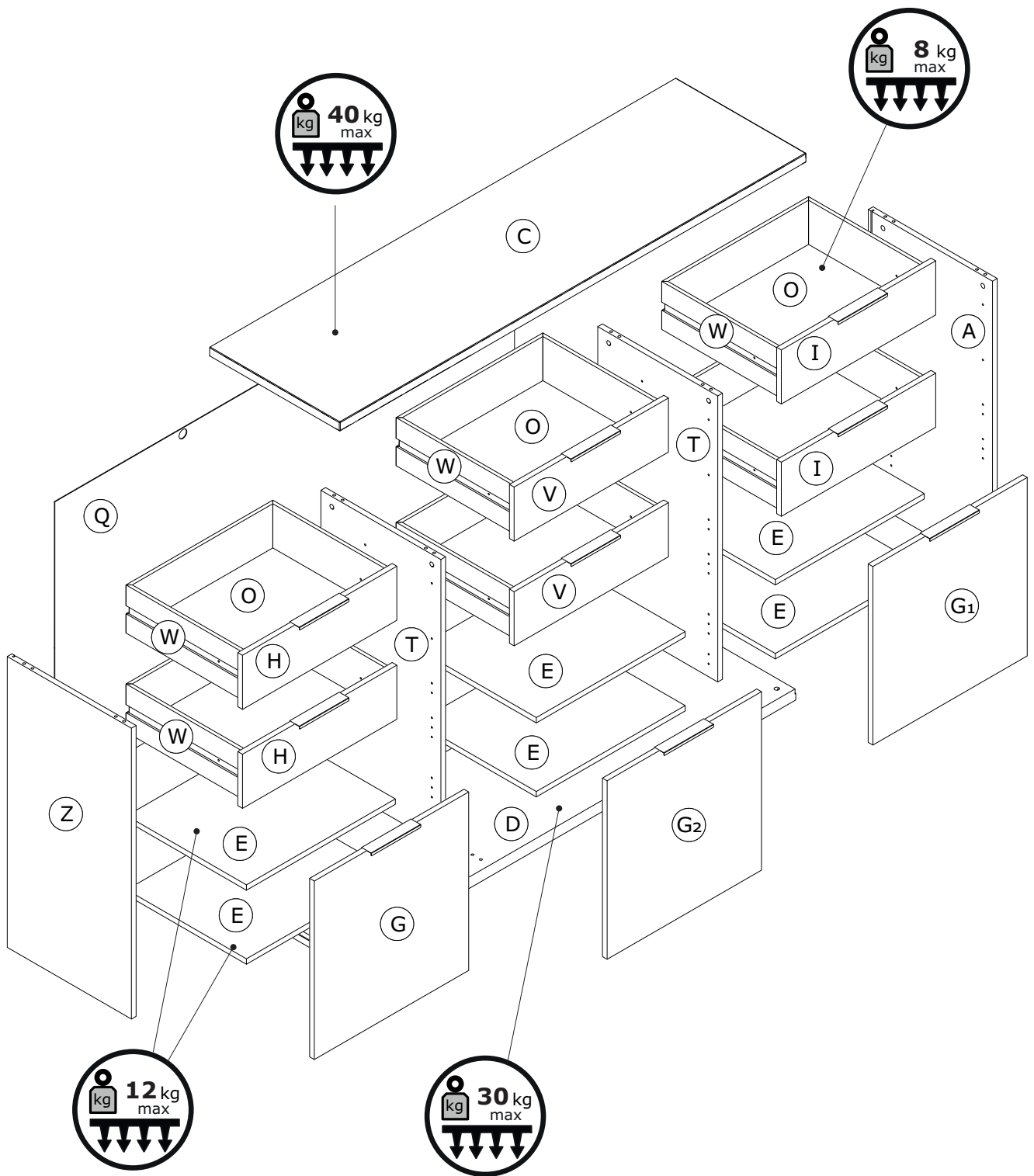
**C66**  
x2

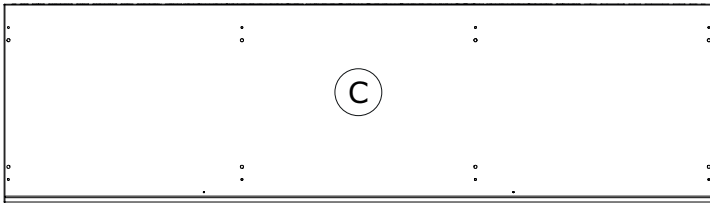


**B23**  
x2

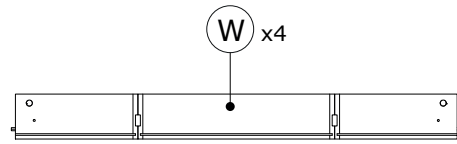


**V5**  
x4



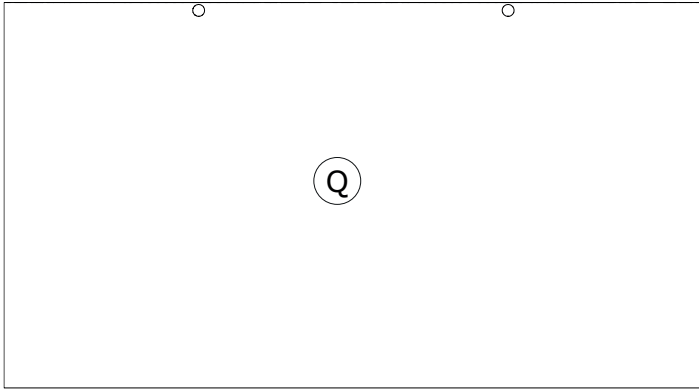


1792x500x30mm

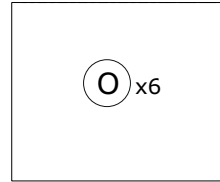


450x564x450mm H.160mm

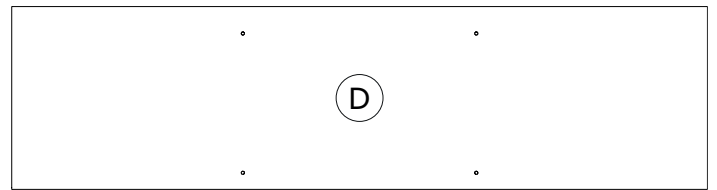
**BOX 1/4**



1766x974x2mm

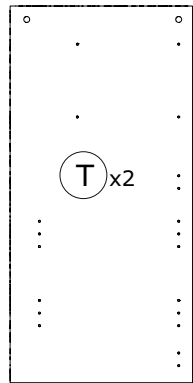


551x451x2mm

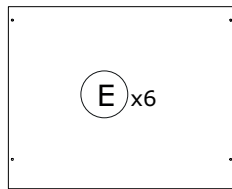


1758x462x38mm

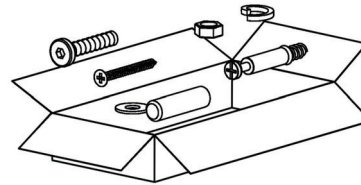
**BOX 3/4**



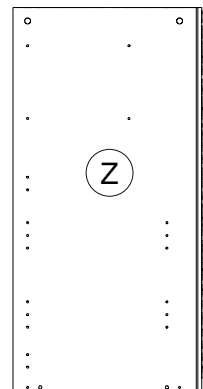
952x461x18mm



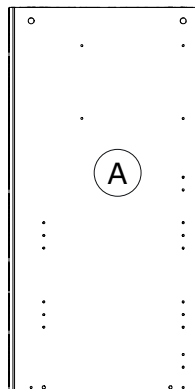
572x460x18mm



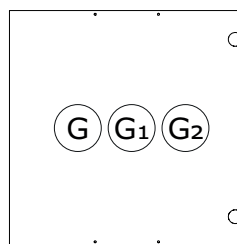
**BOX 3/4**



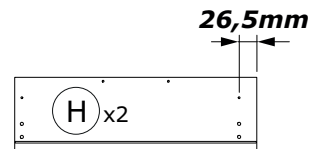
968x477x18mm



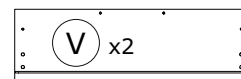
968x477x18mm



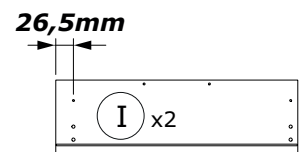
594x593x18mm



593x180x18mm



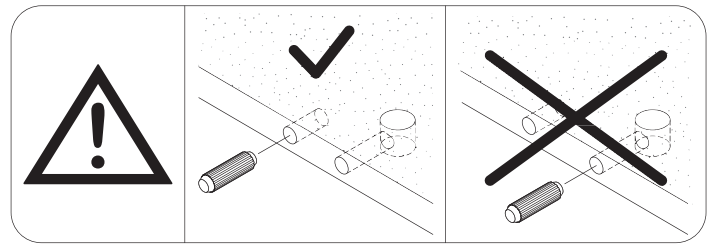
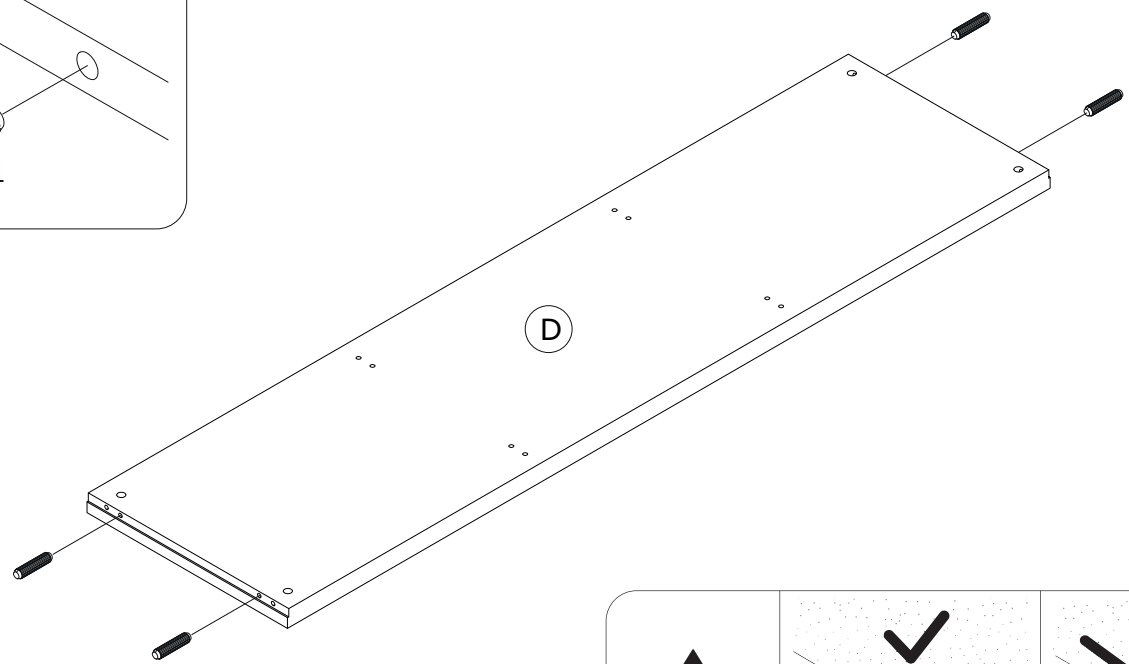
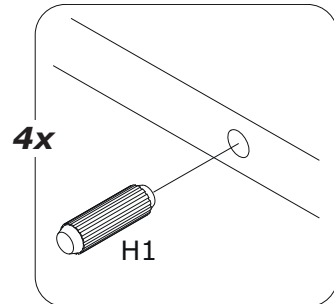
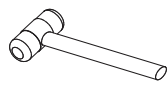
593x180x18mm



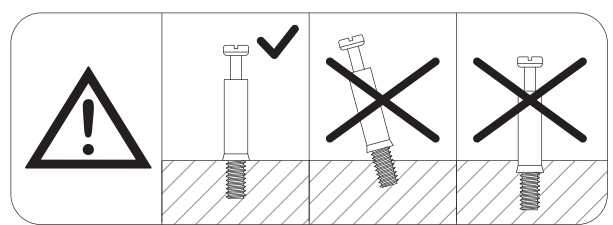
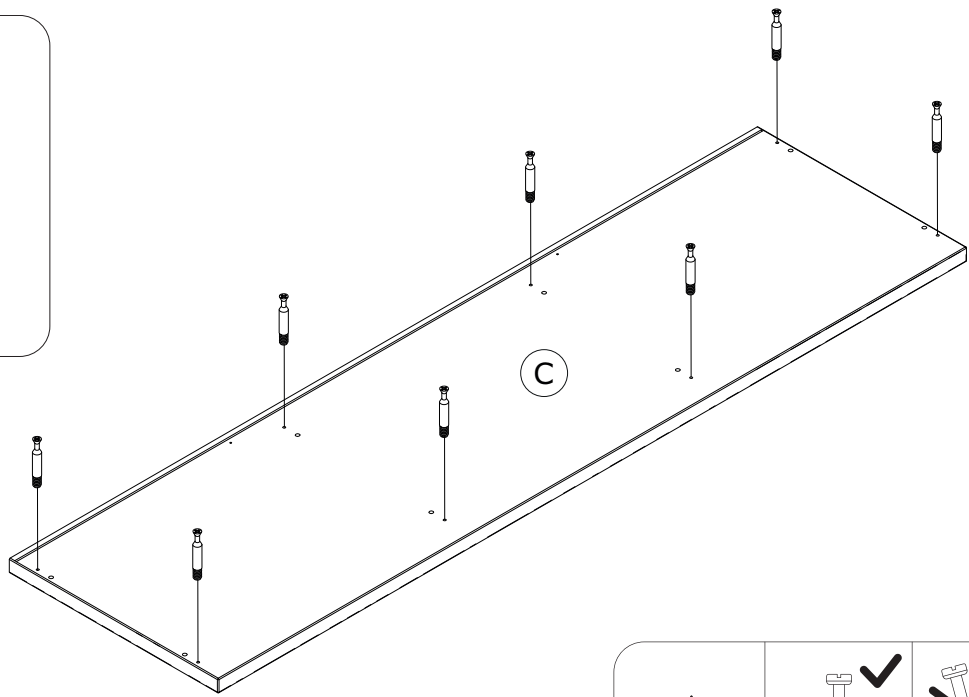
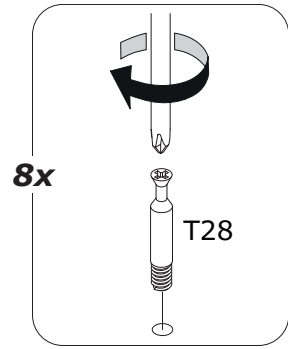
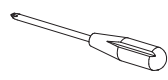
593x180x18mm

**BOX 4/4**

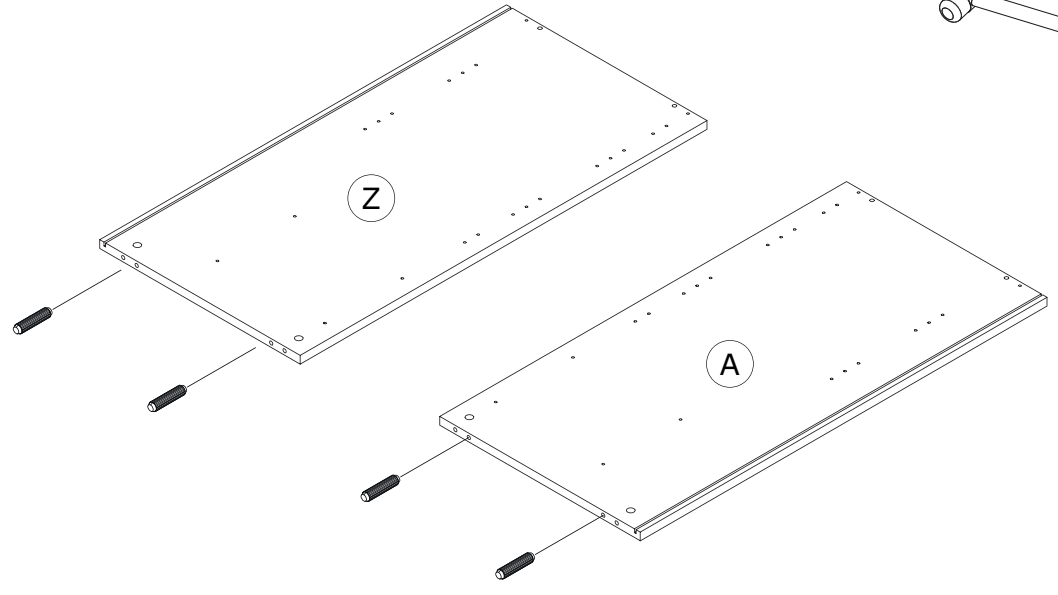
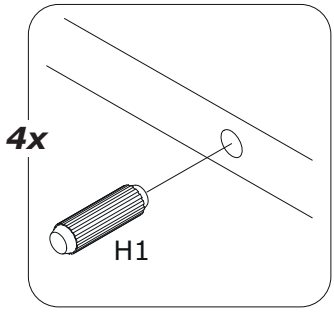
1



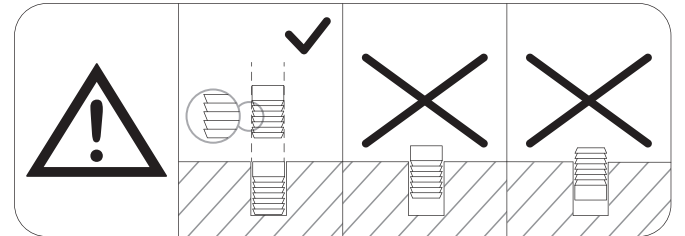
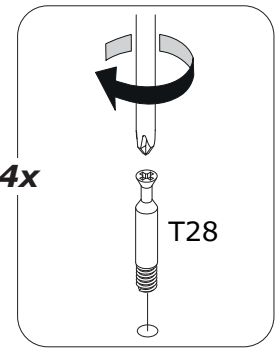
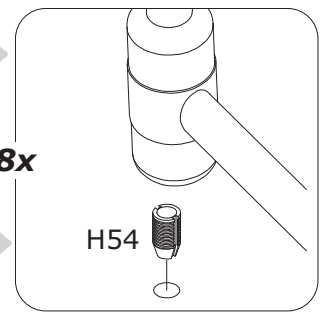
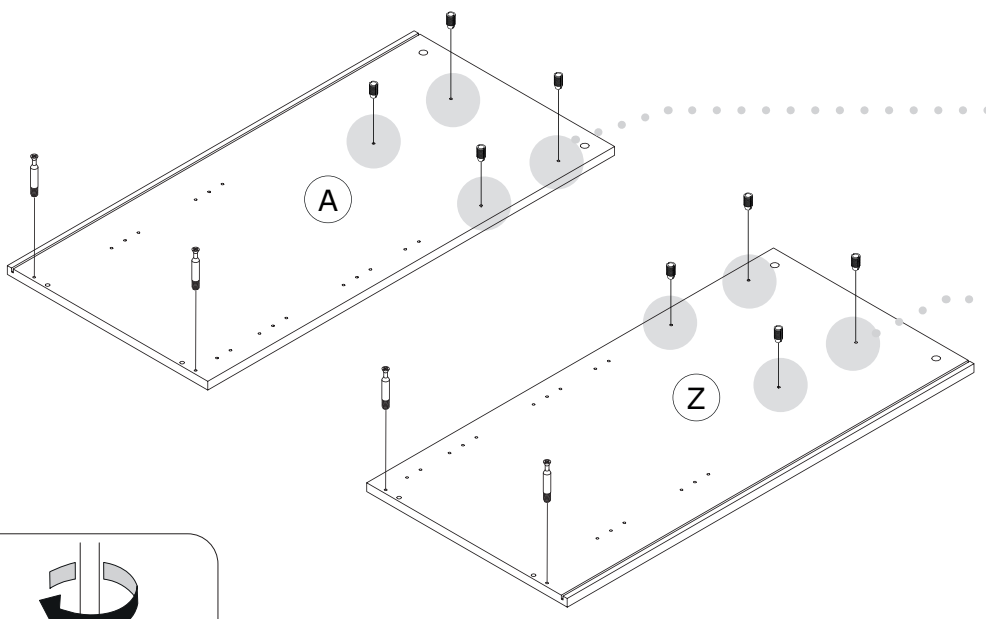
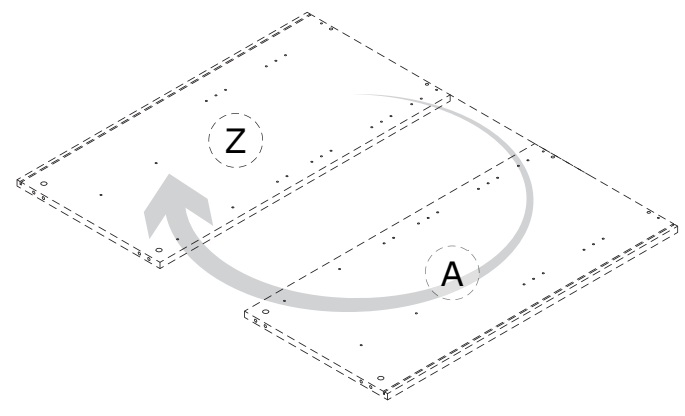
2



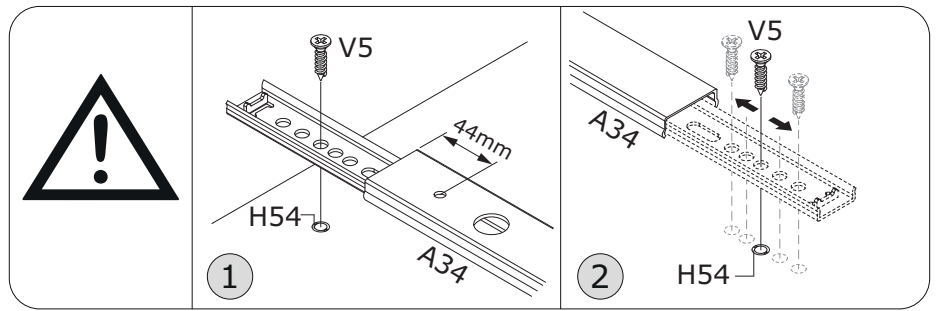
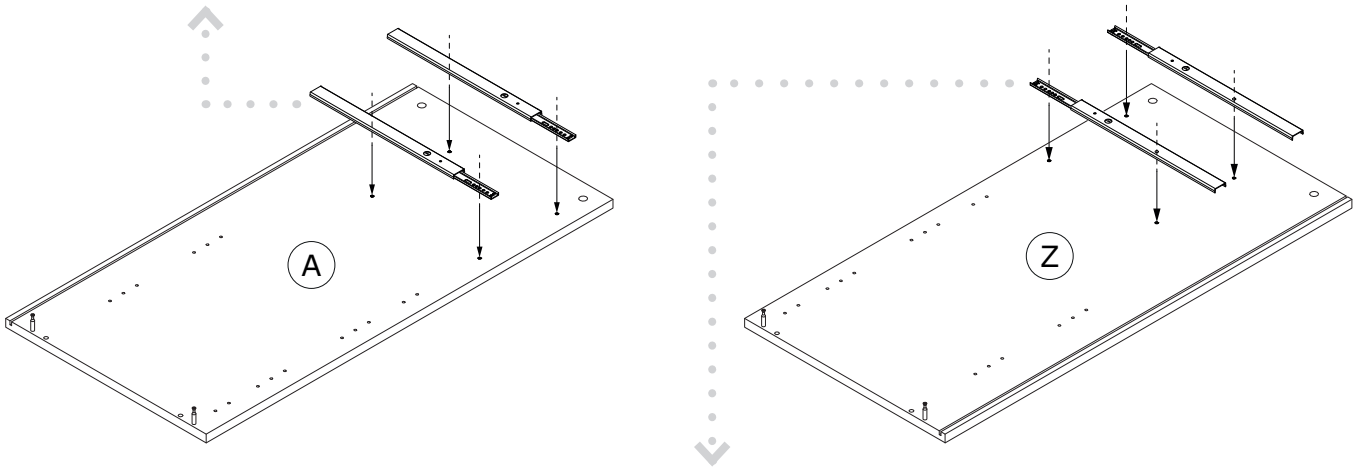
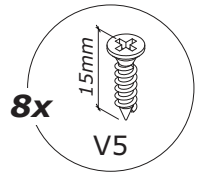
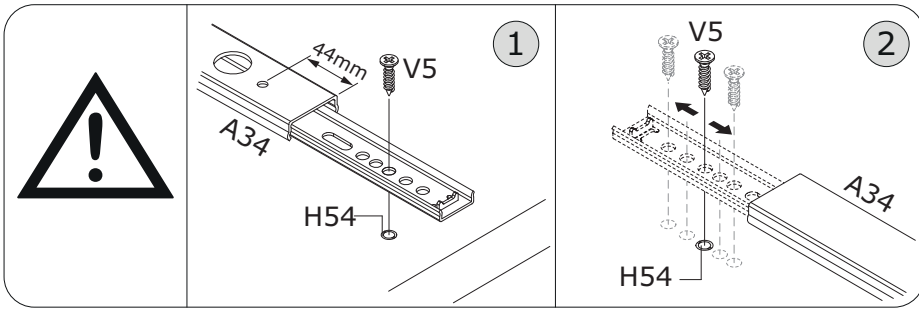
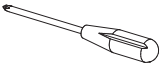
3



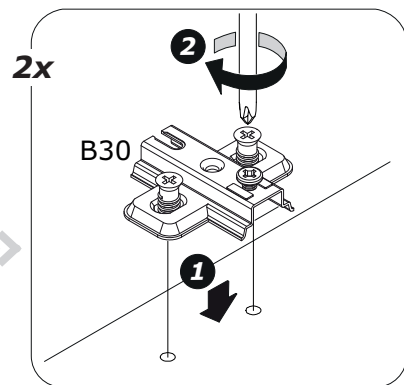
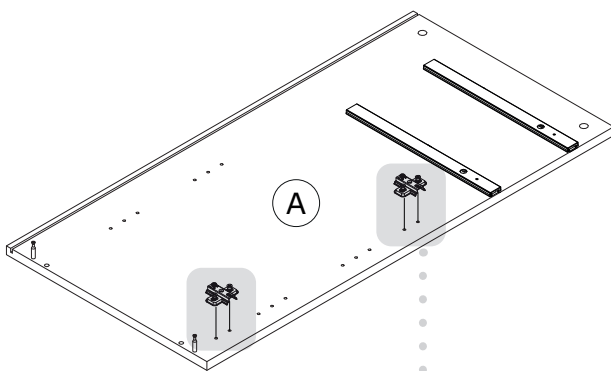
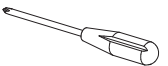
4



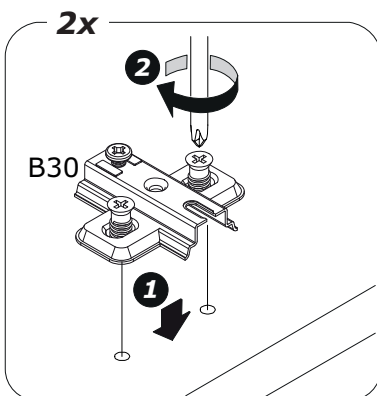
5



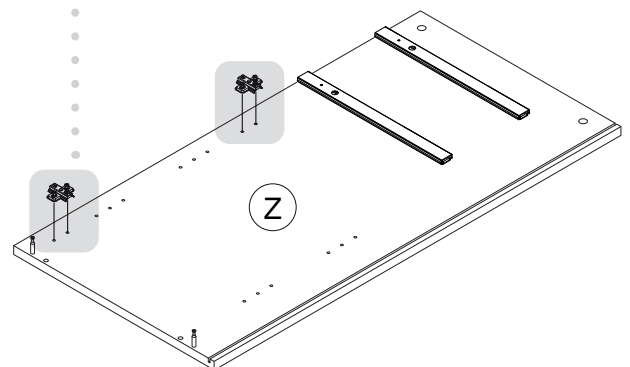
6



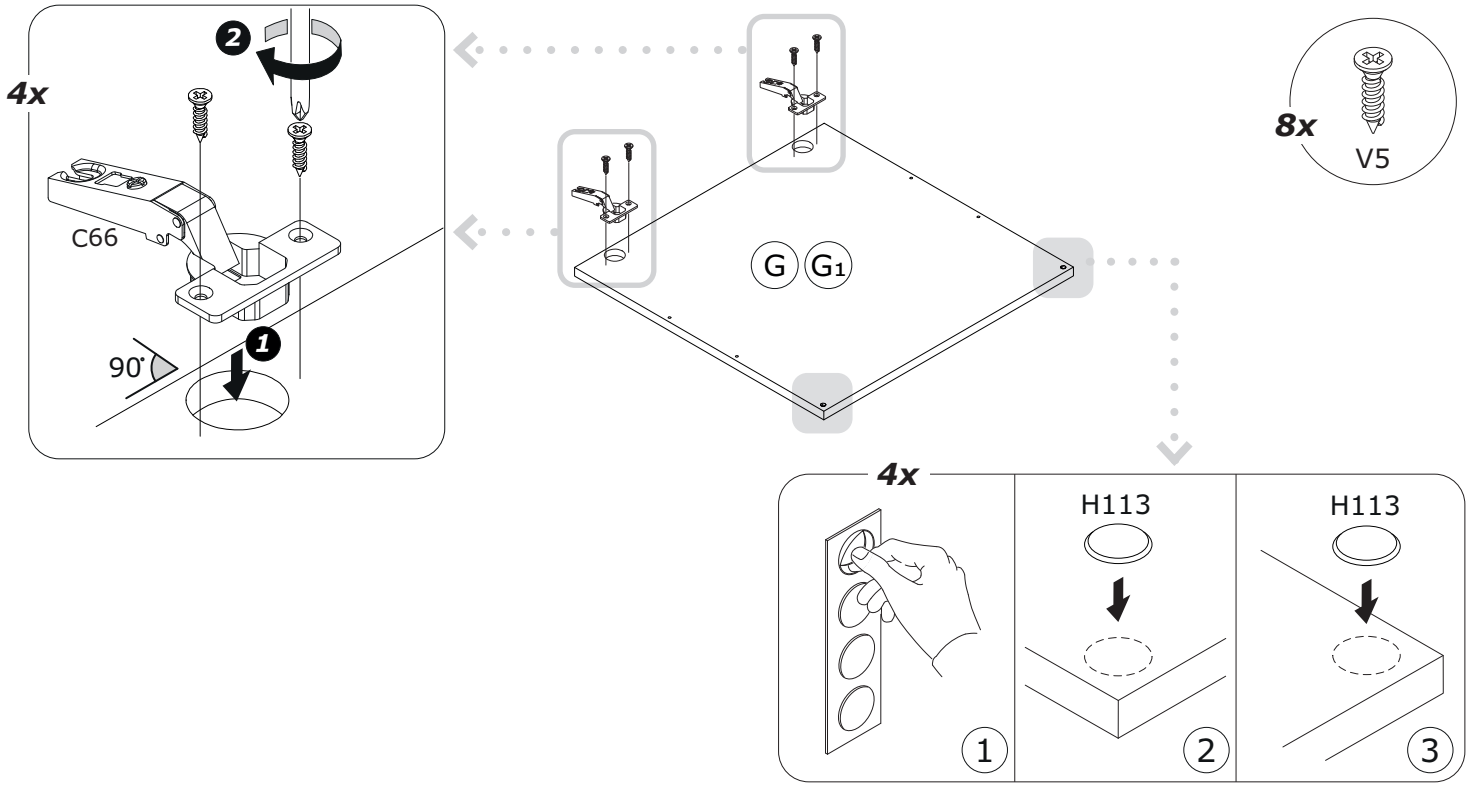
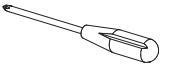
BU3494



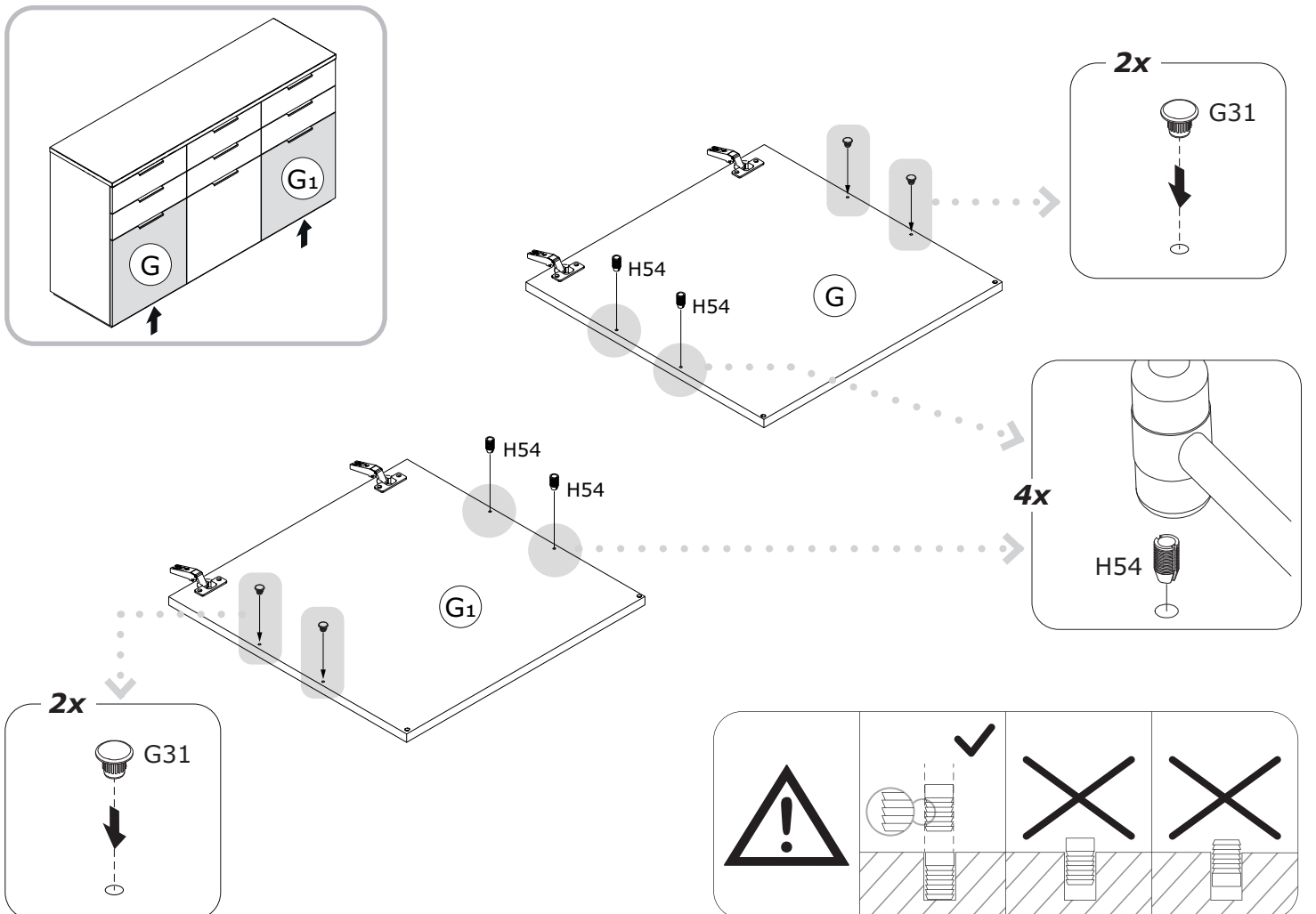
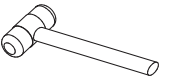
BU3494



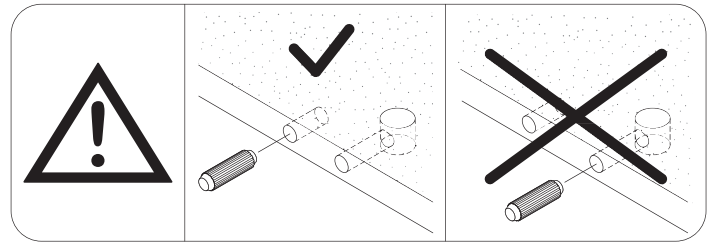
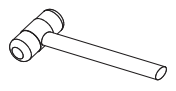
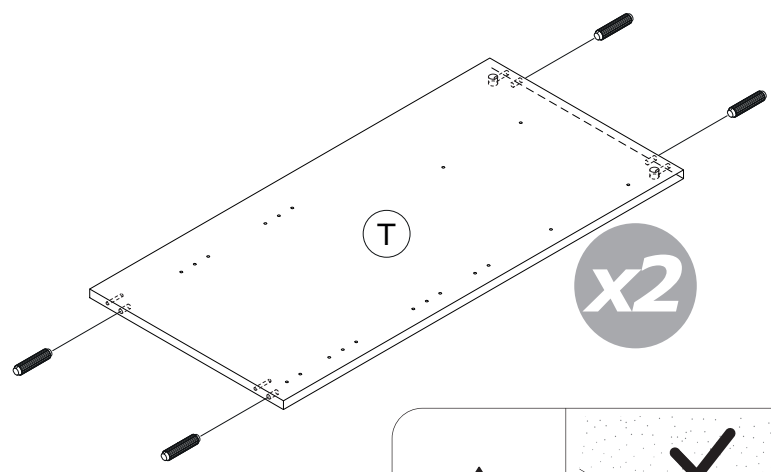
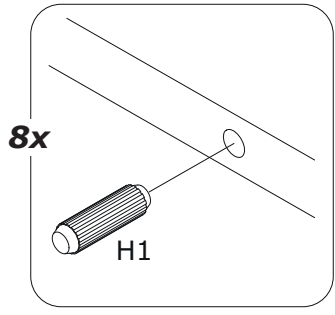
7



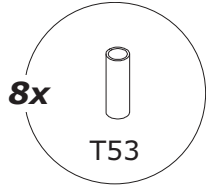
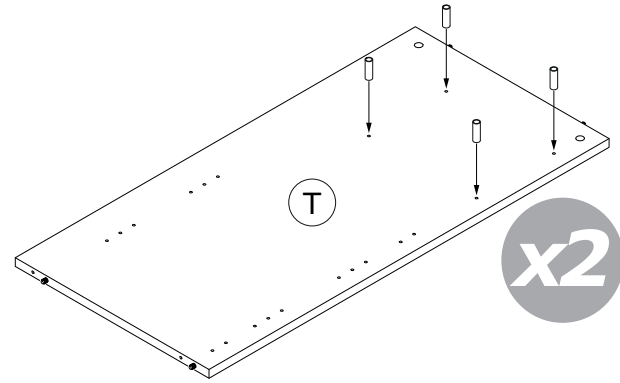
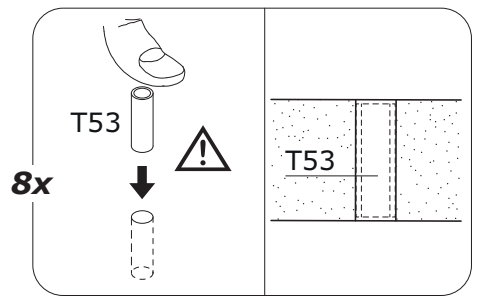
8



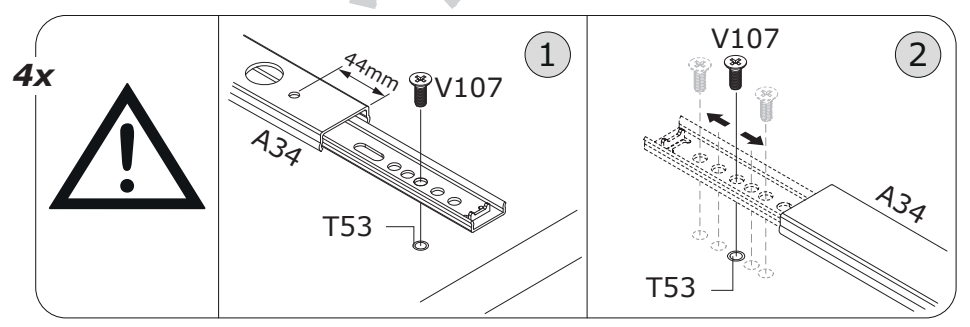
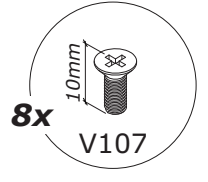
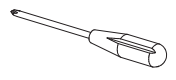
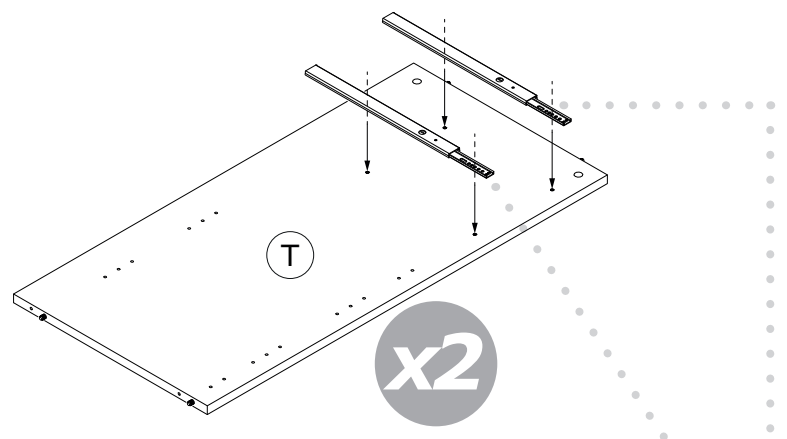
9



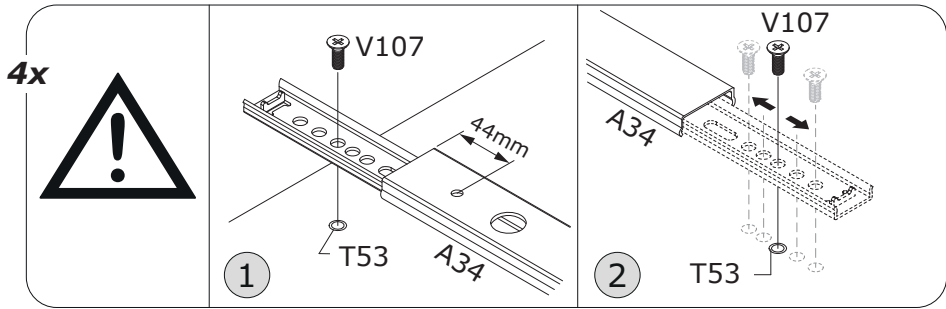
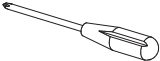
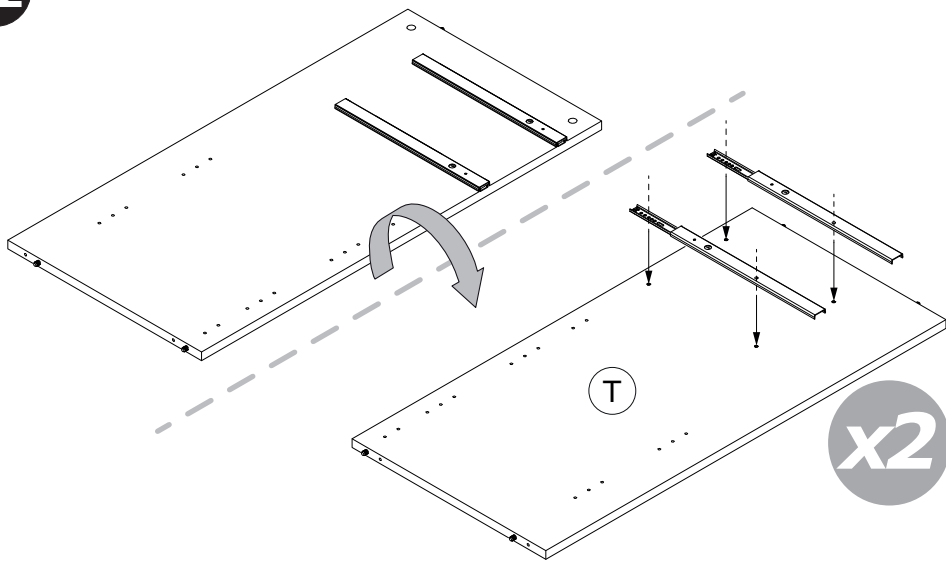
10



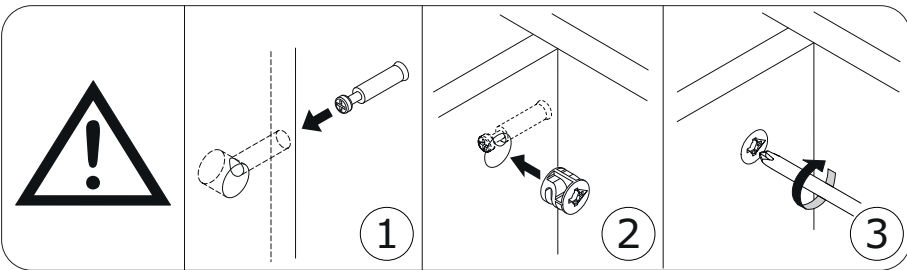
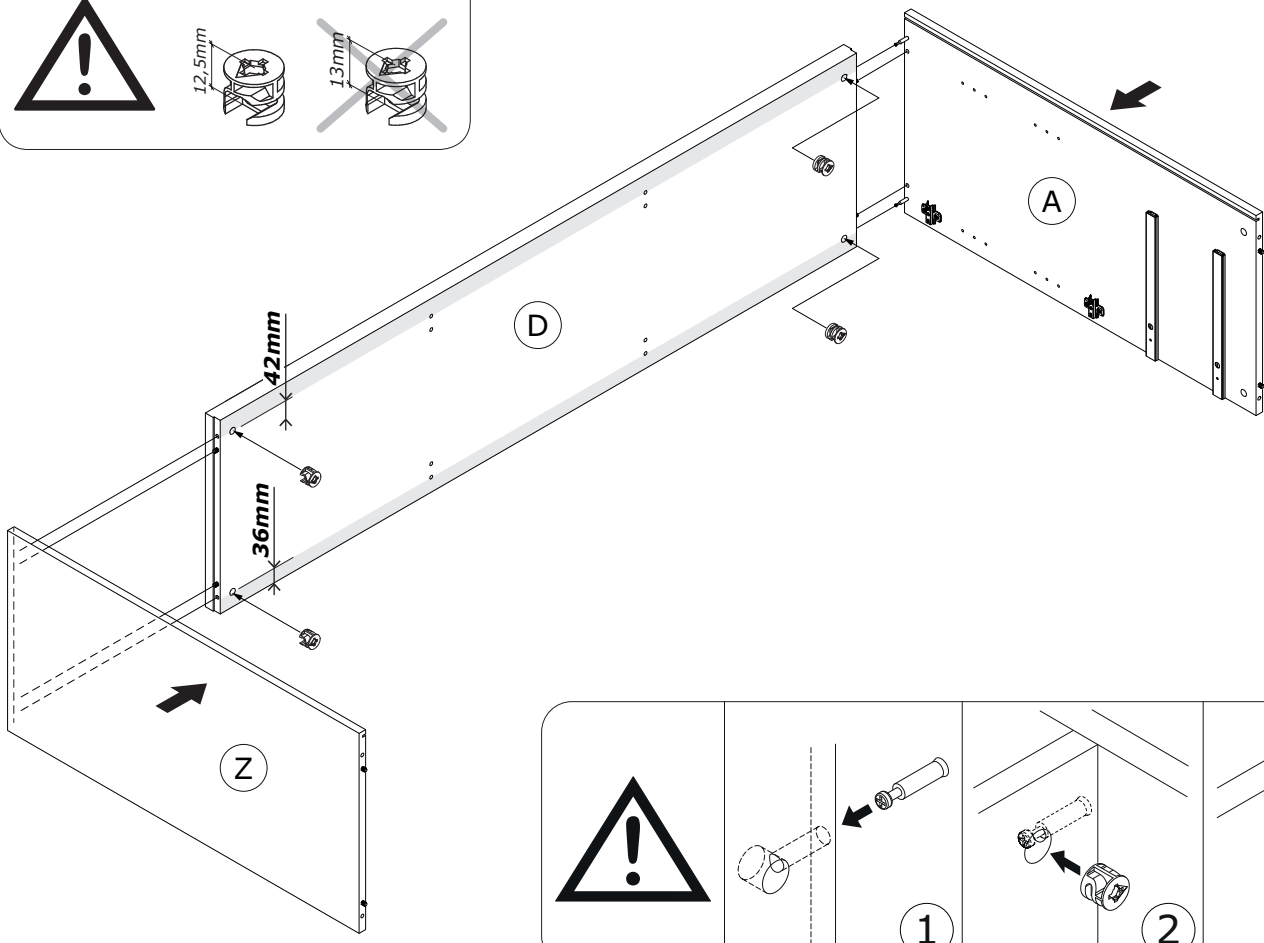
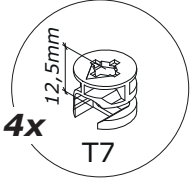
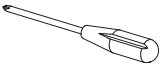
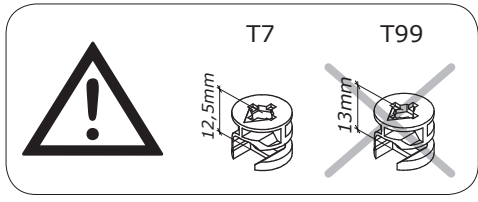
11



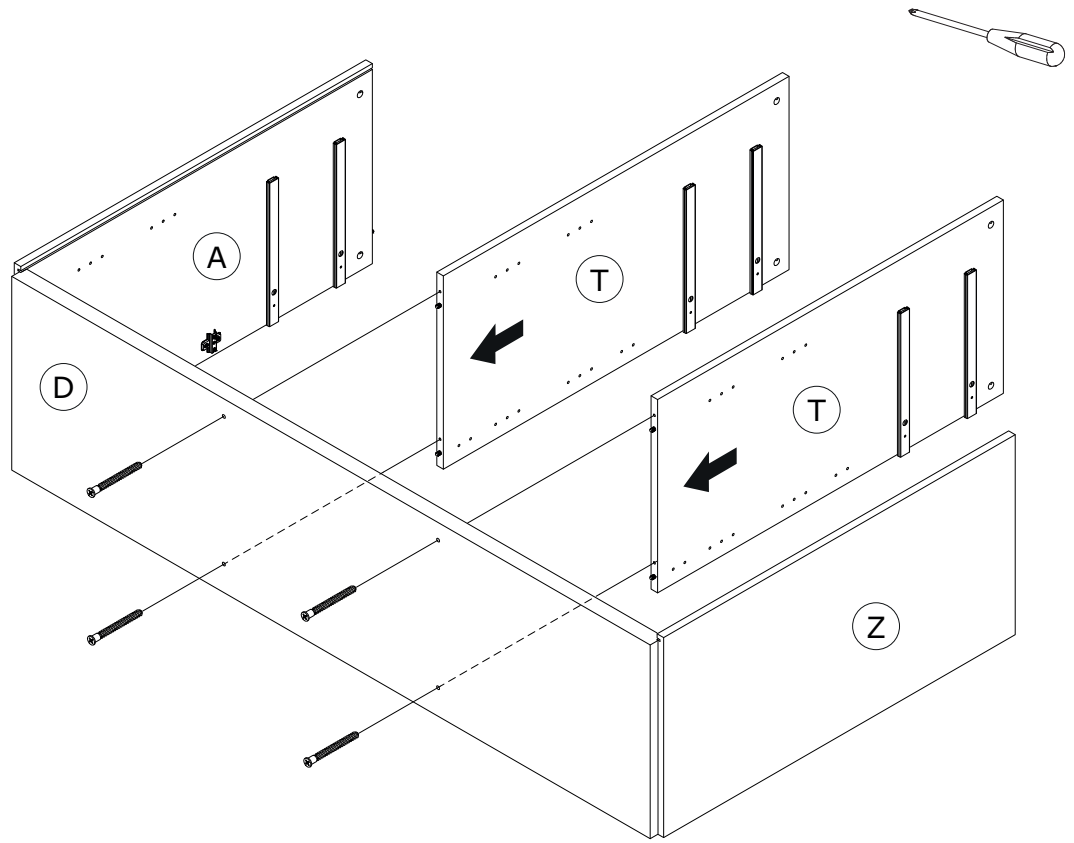
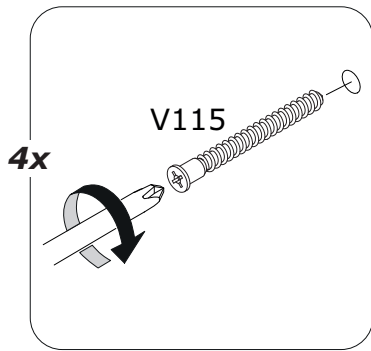
12



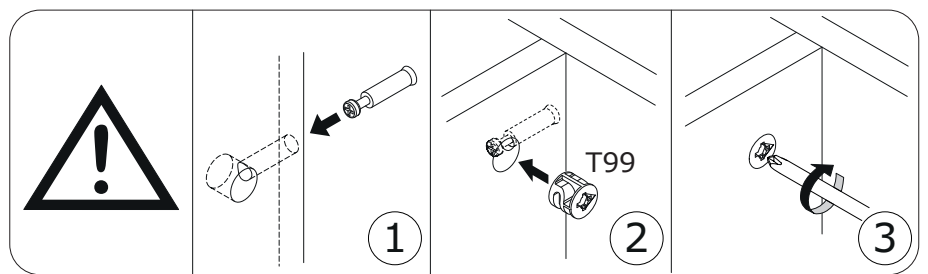
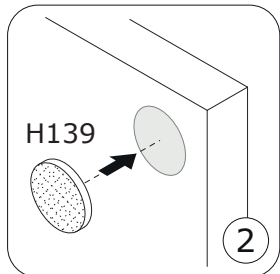
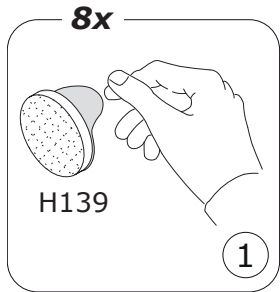
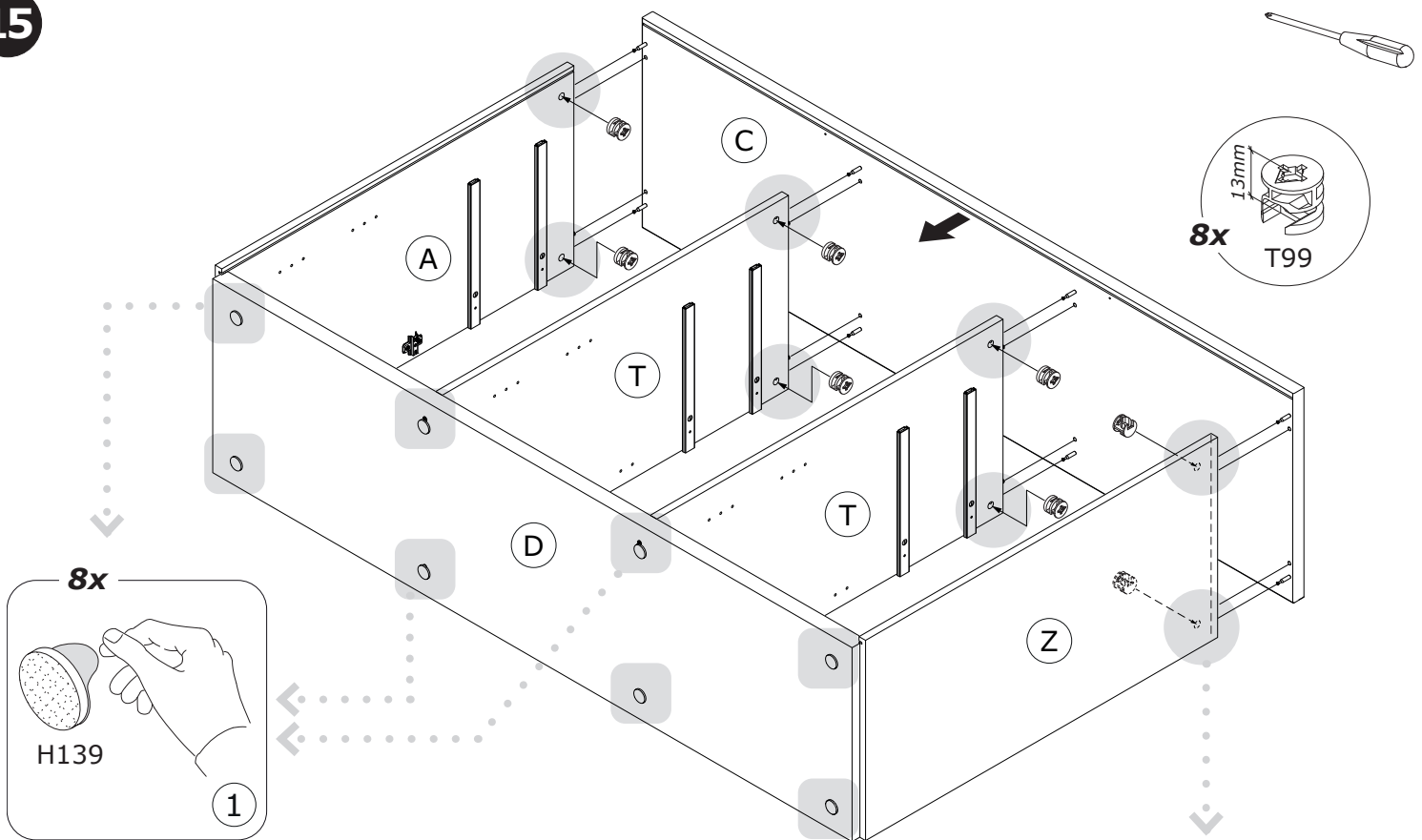
13



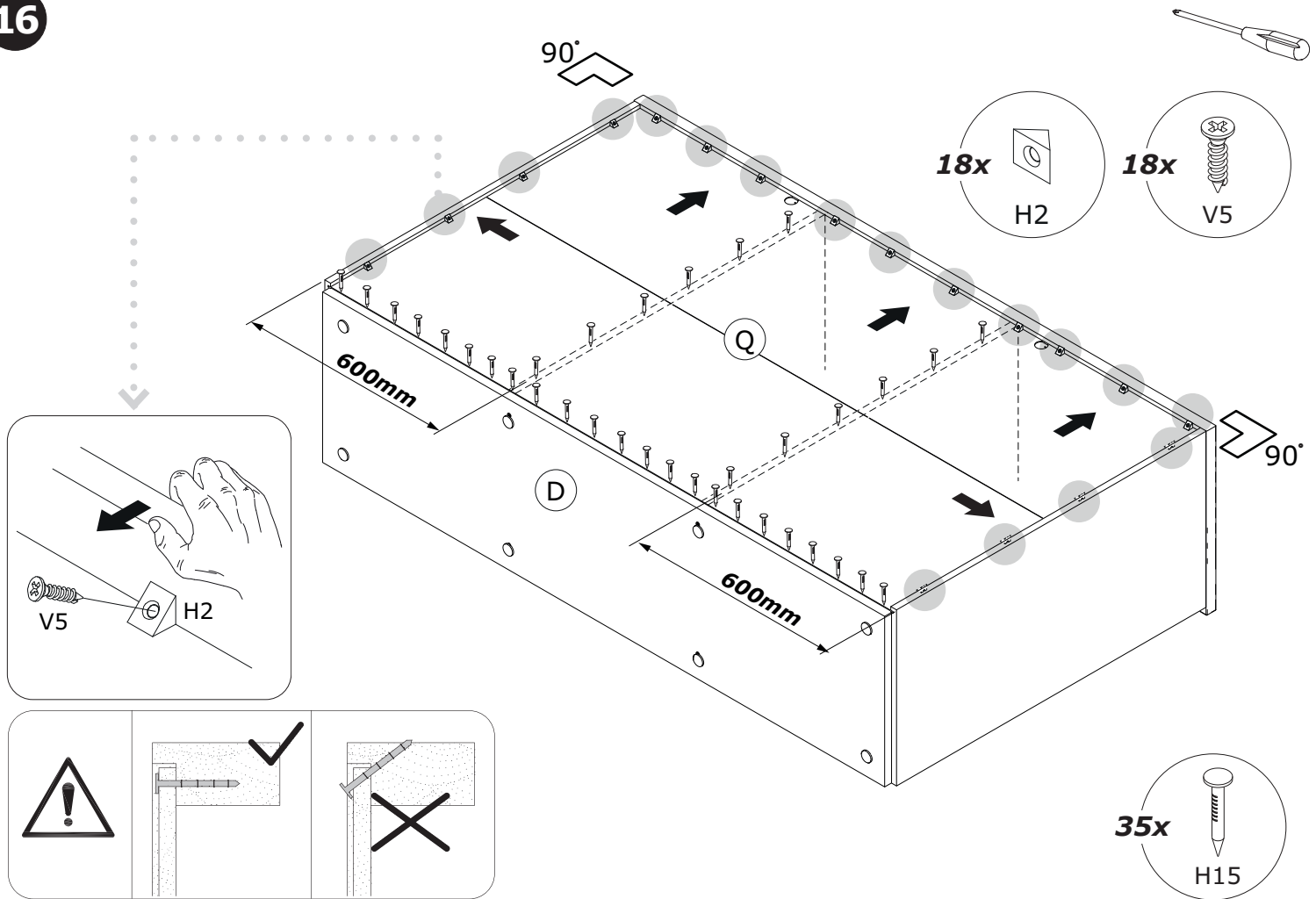
14



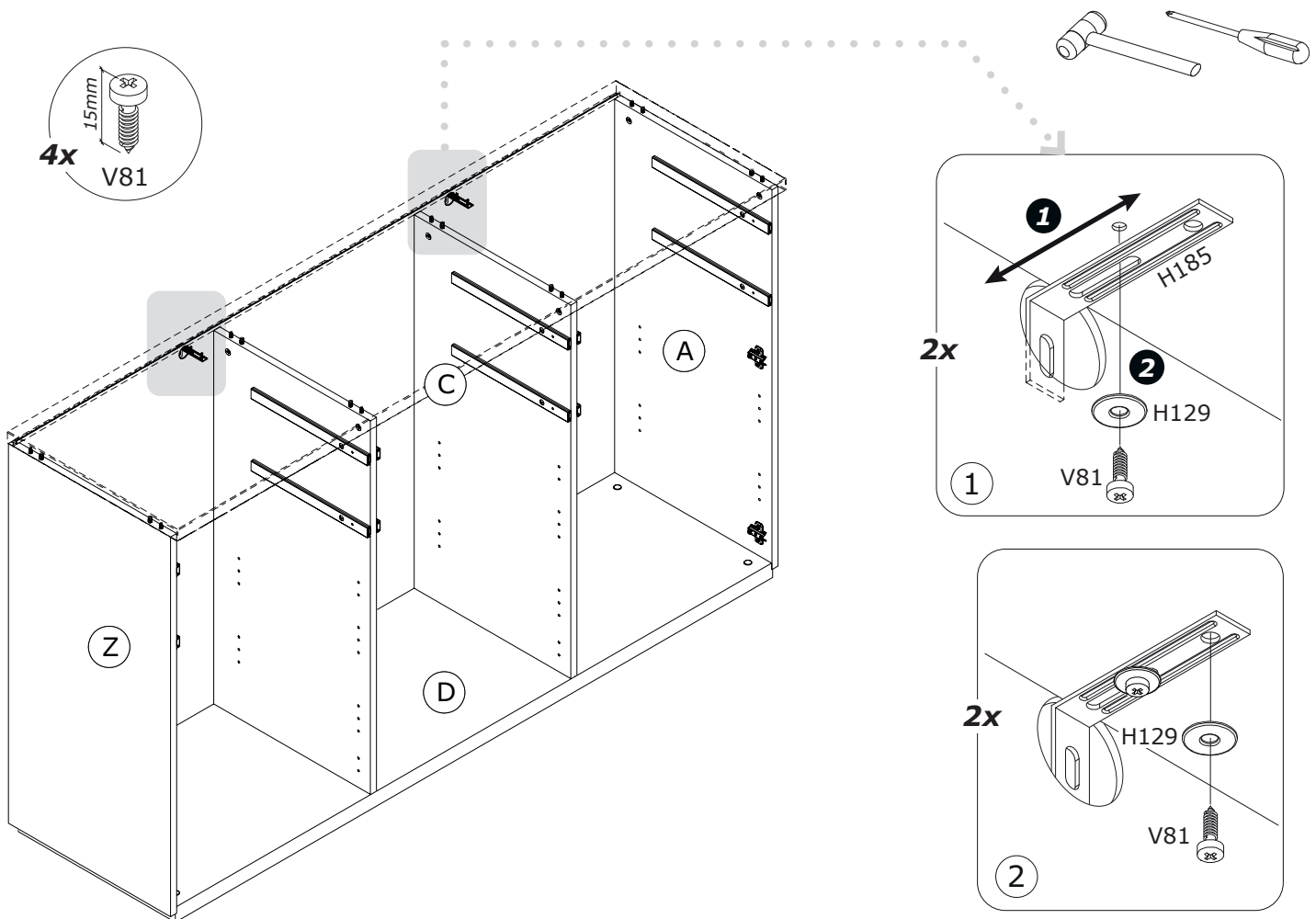
15

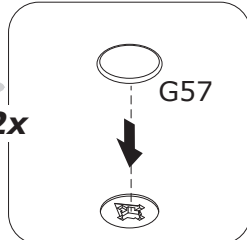
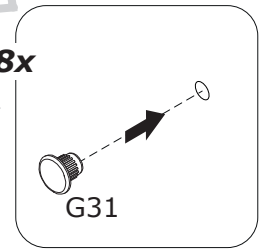
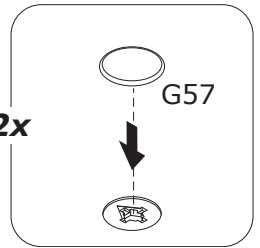
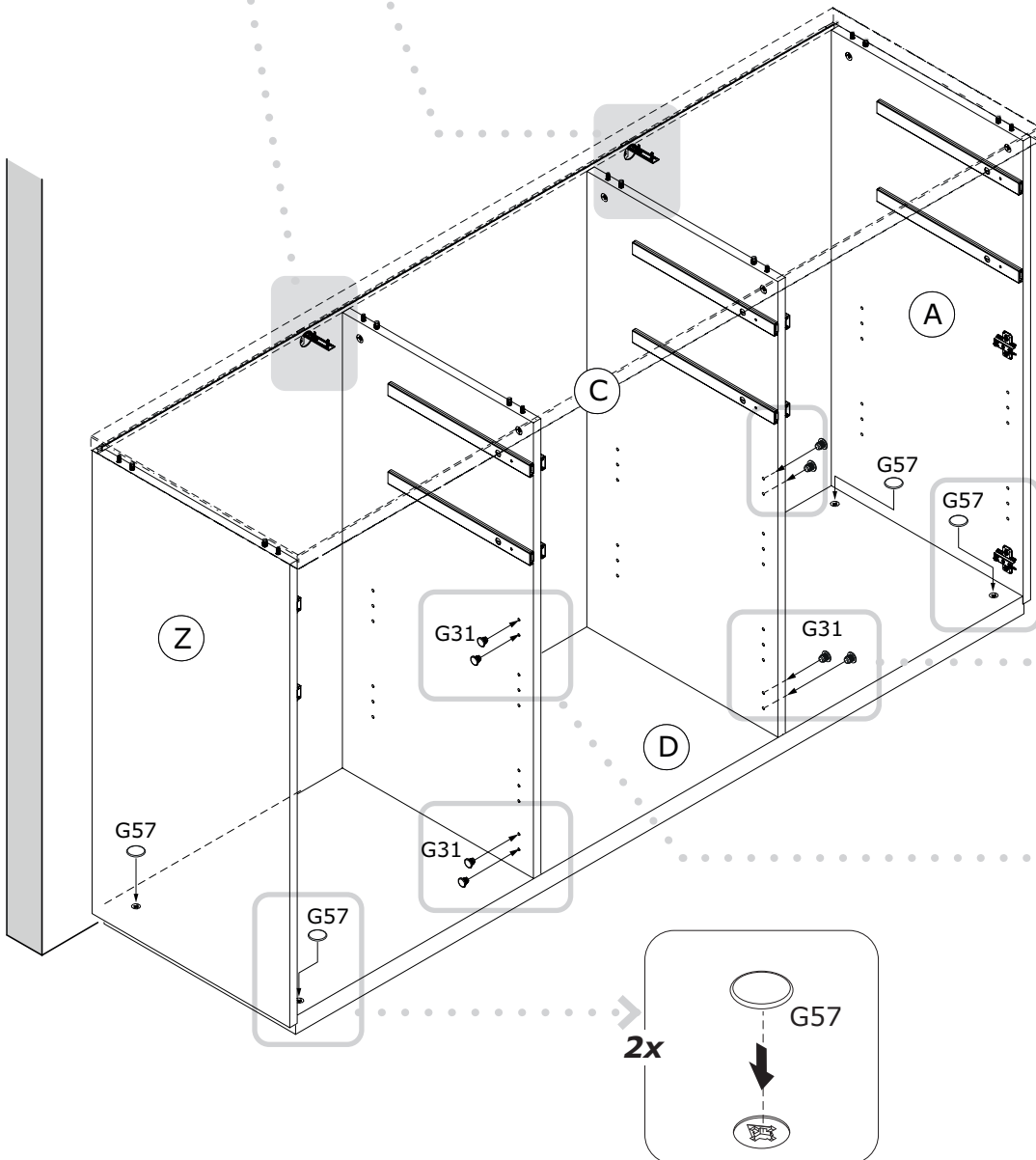
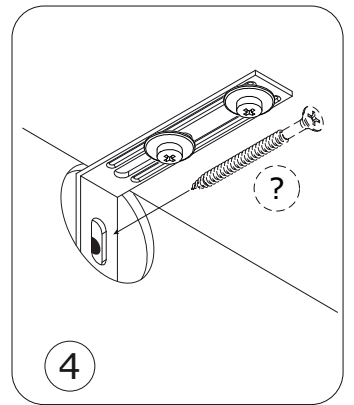
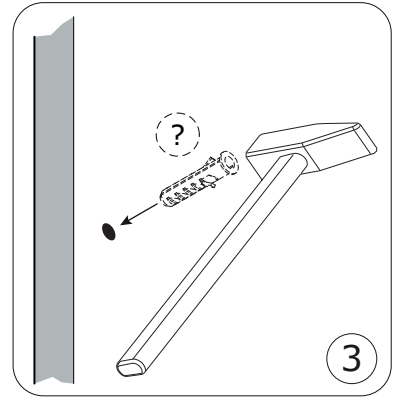
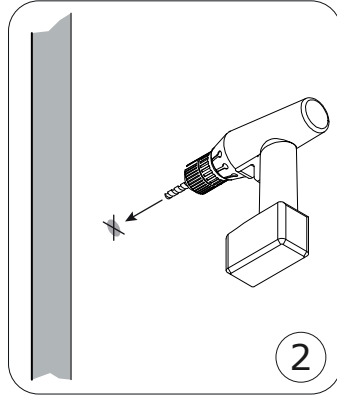
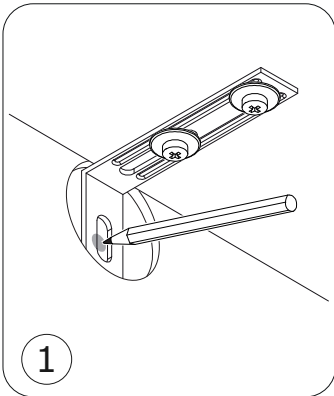
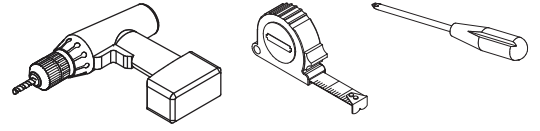


16

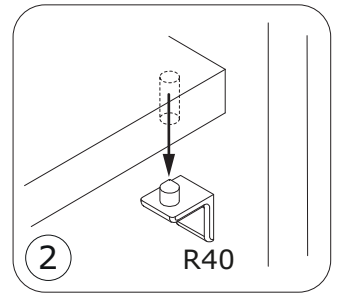
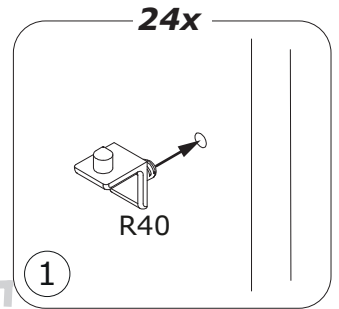
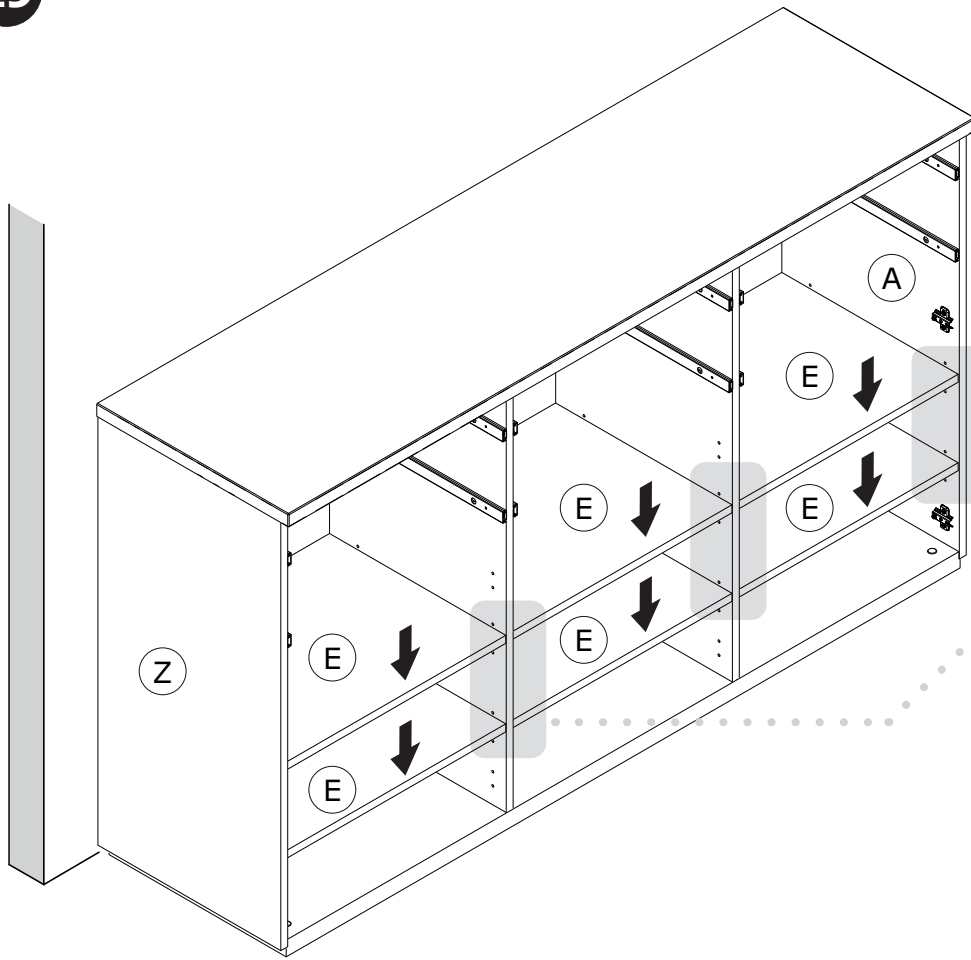


17

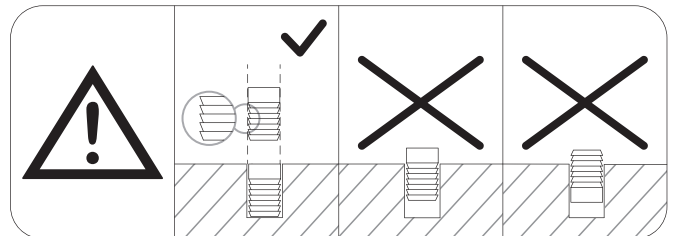
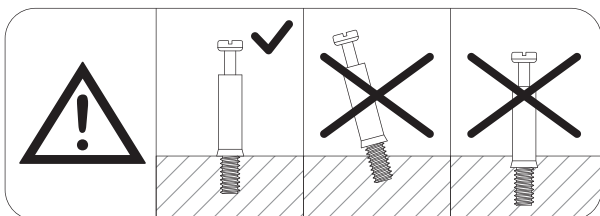
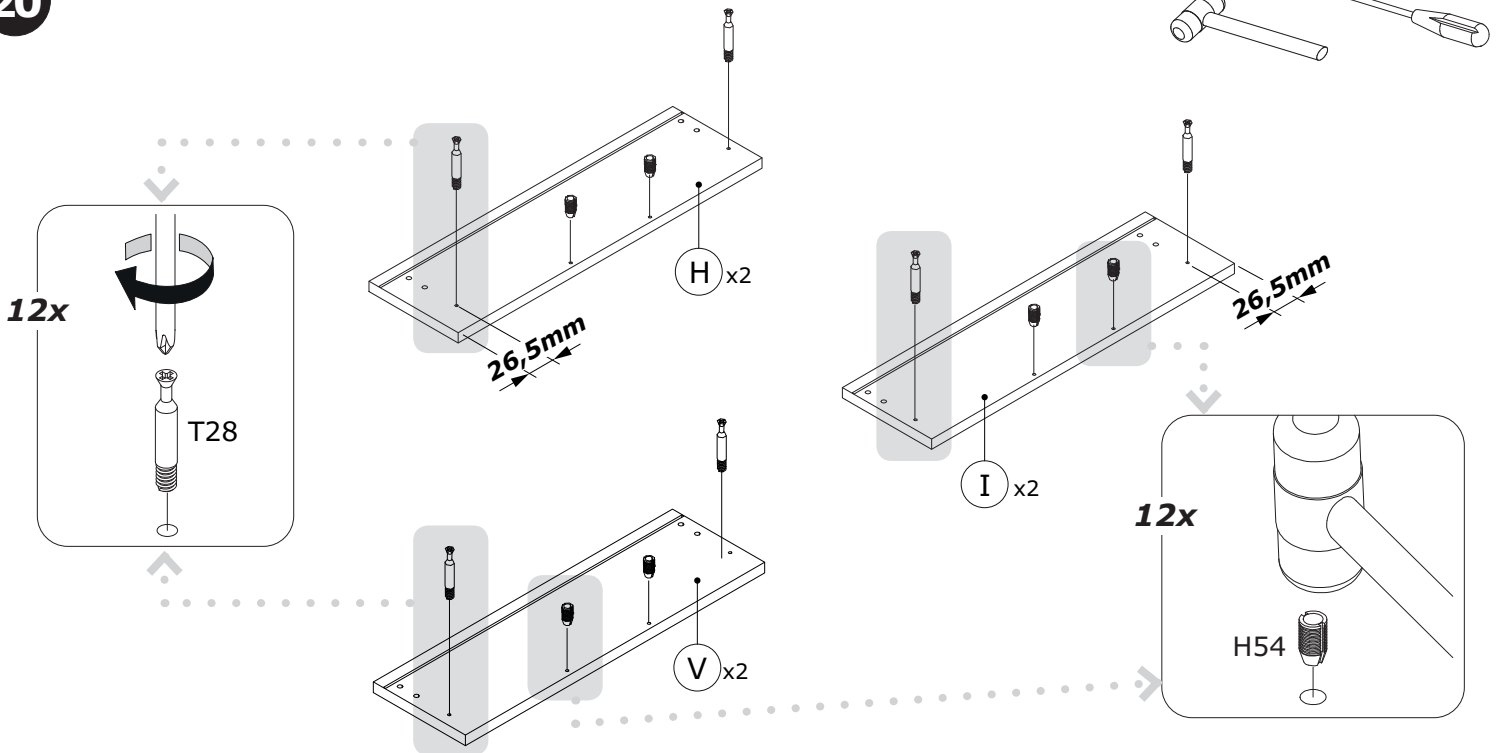




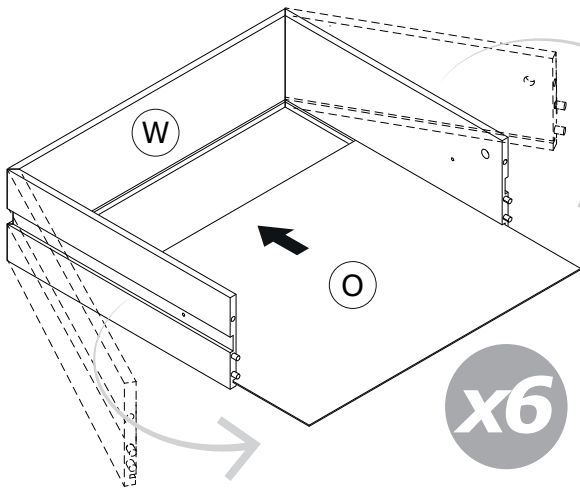
19



20

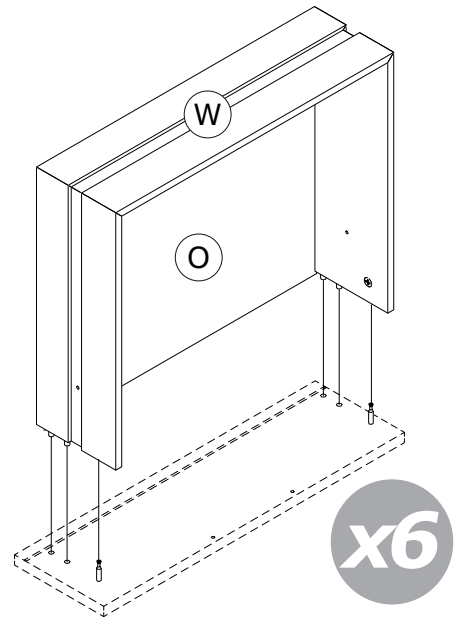
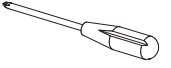


21

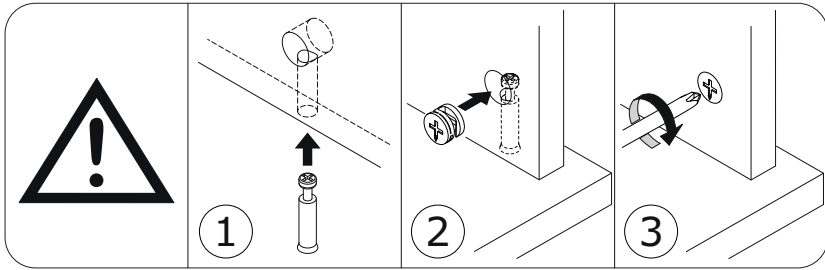


1

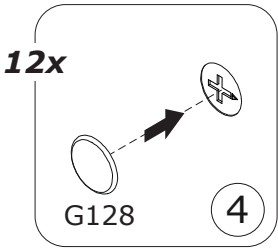
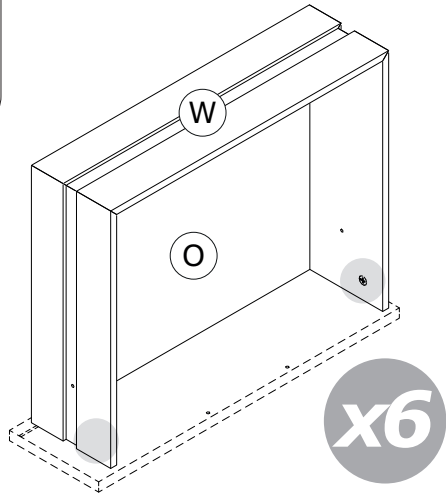
2



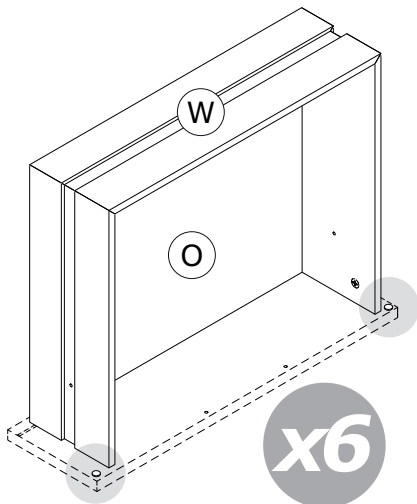
3



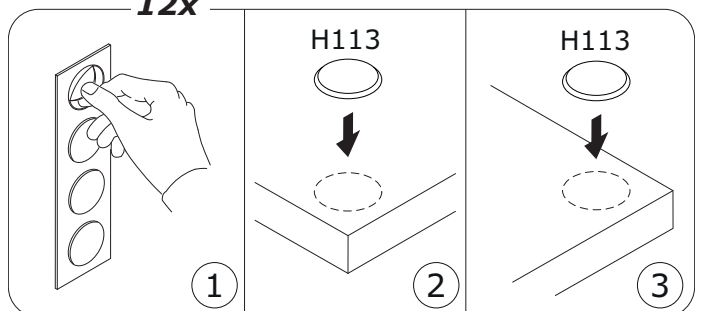
12x T98



22

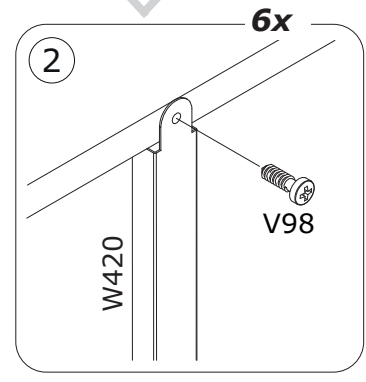
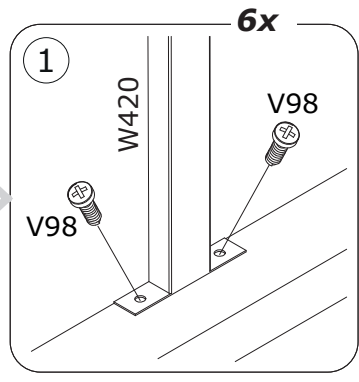
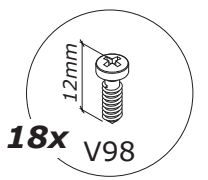
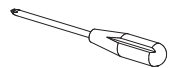
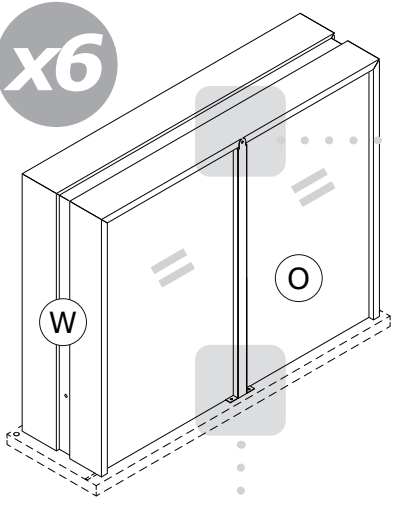


12x

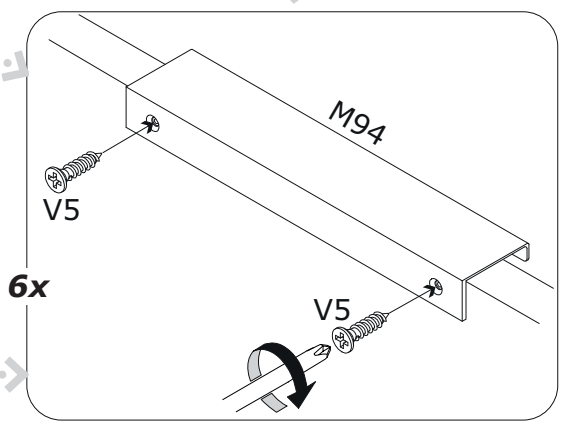
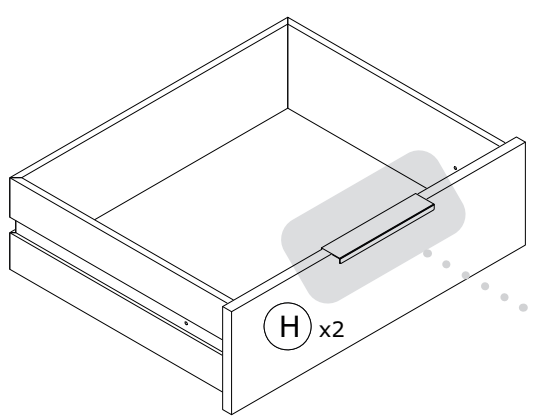
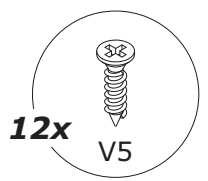
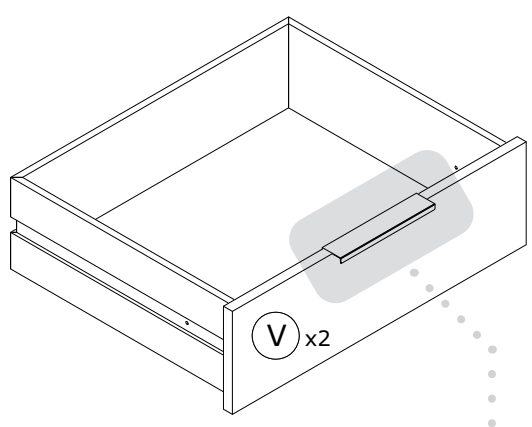
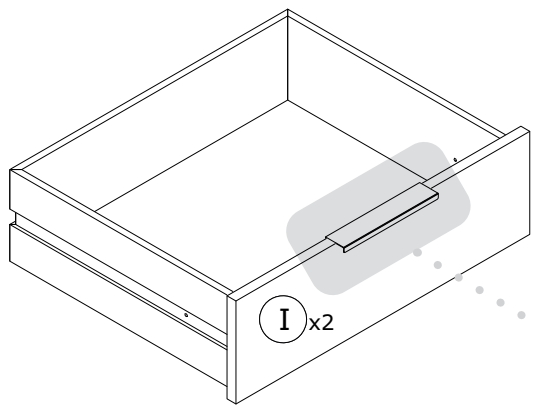
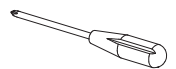


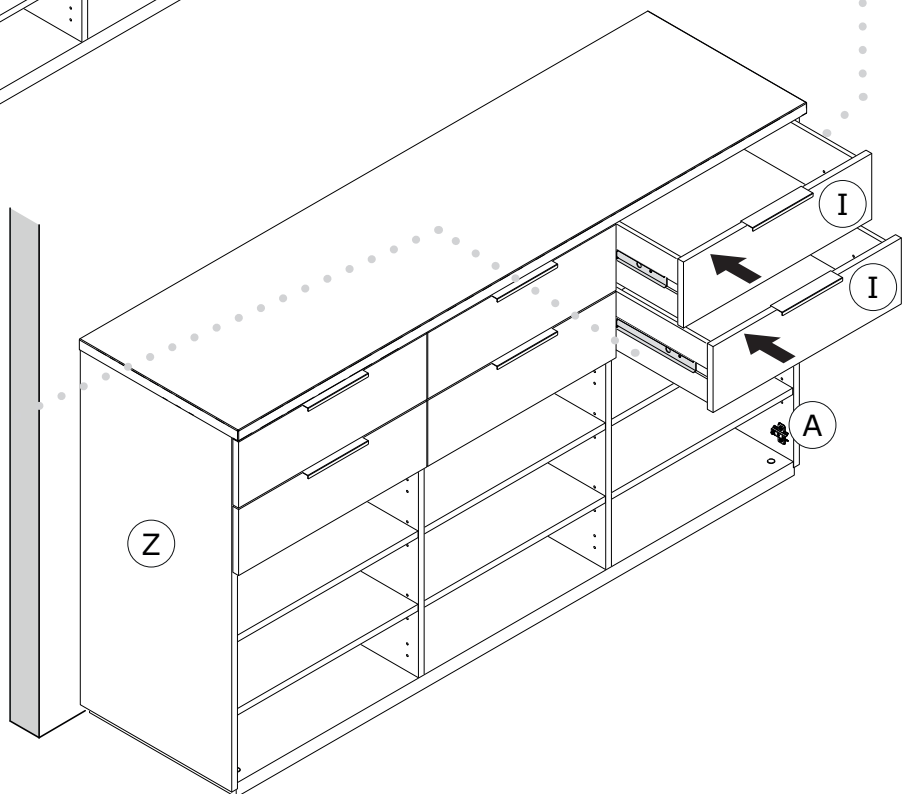
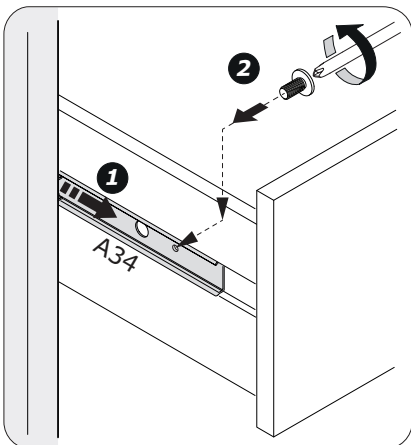
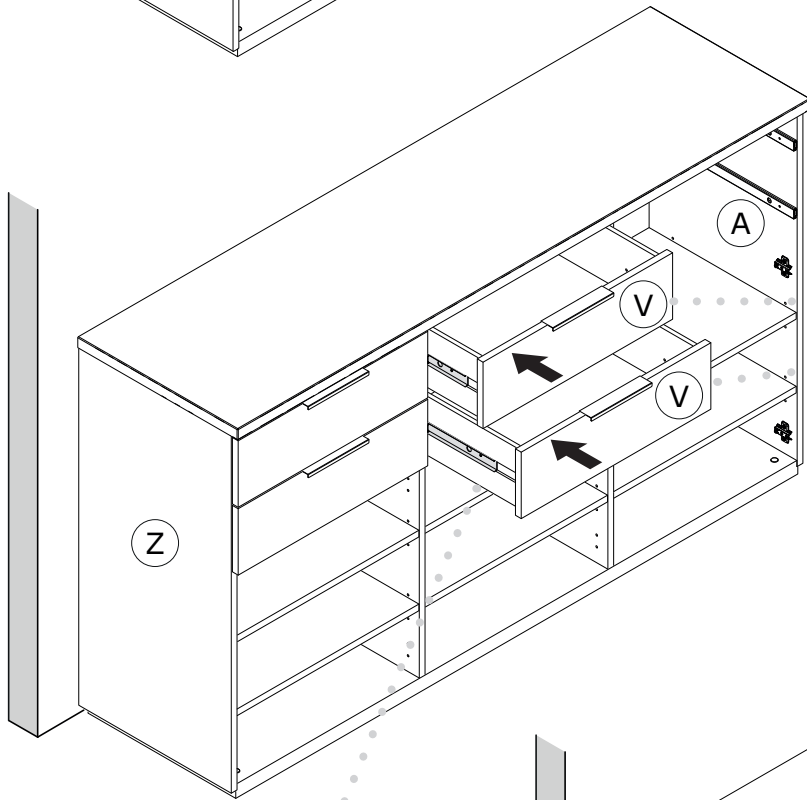
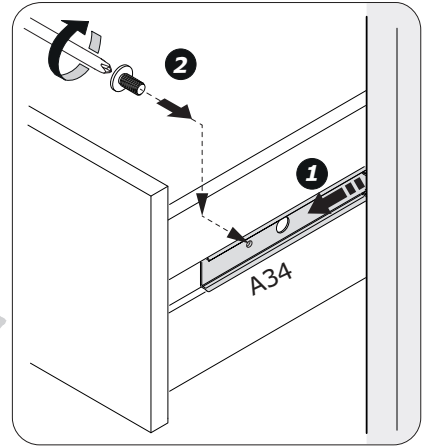
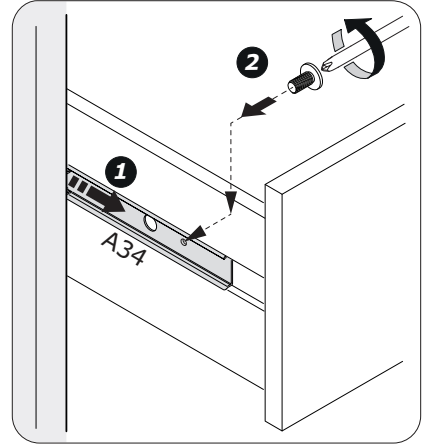
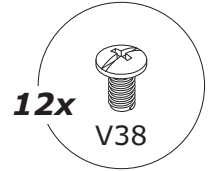
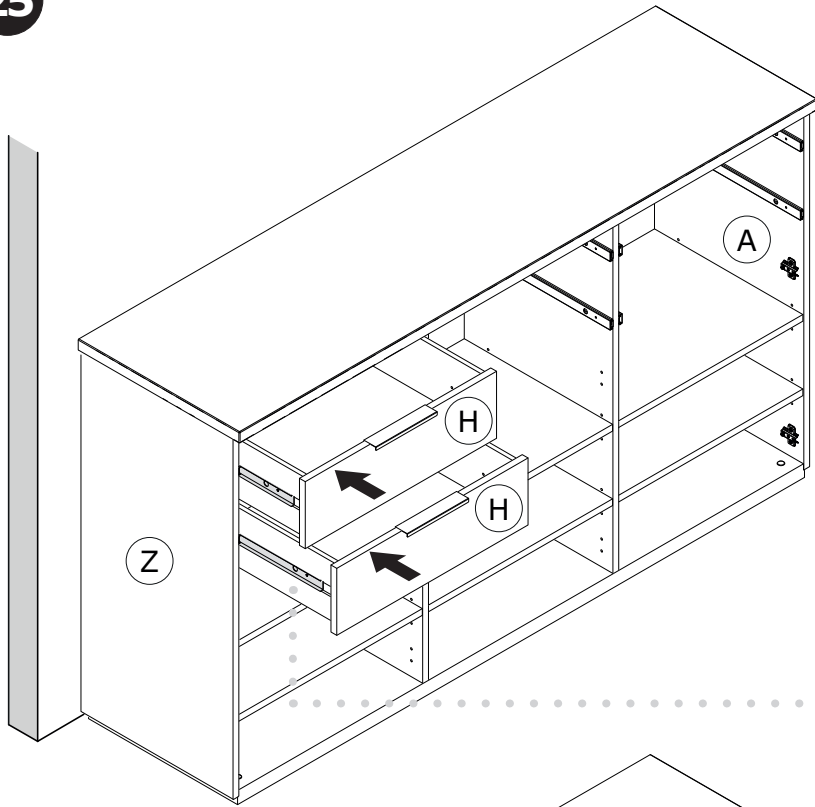
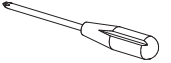
23

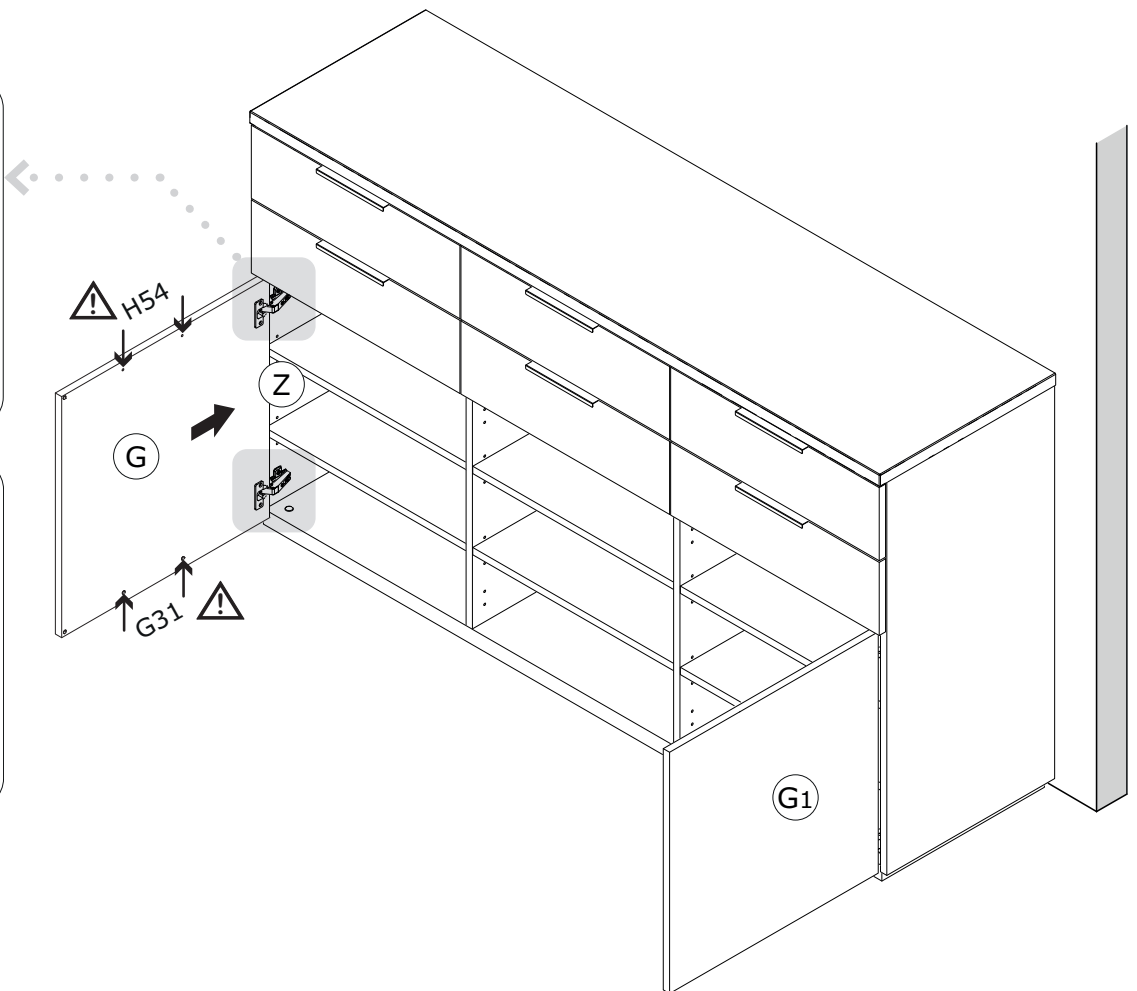
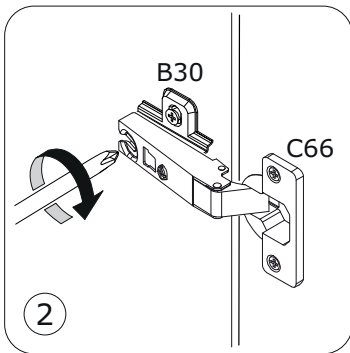
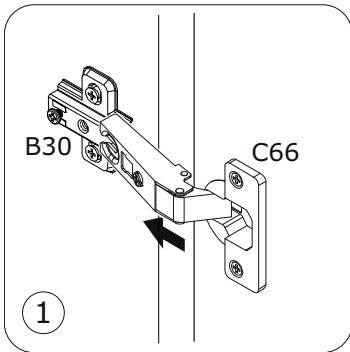
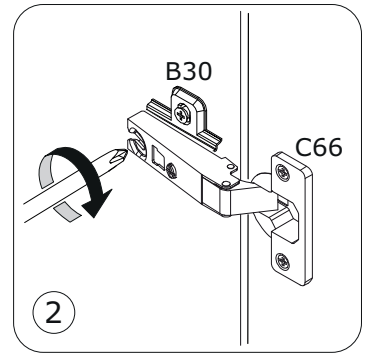
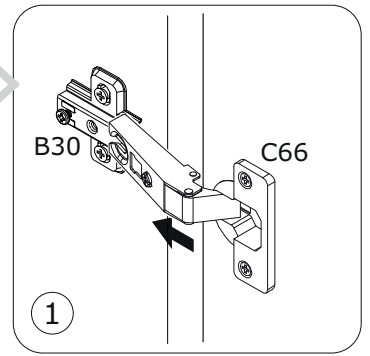
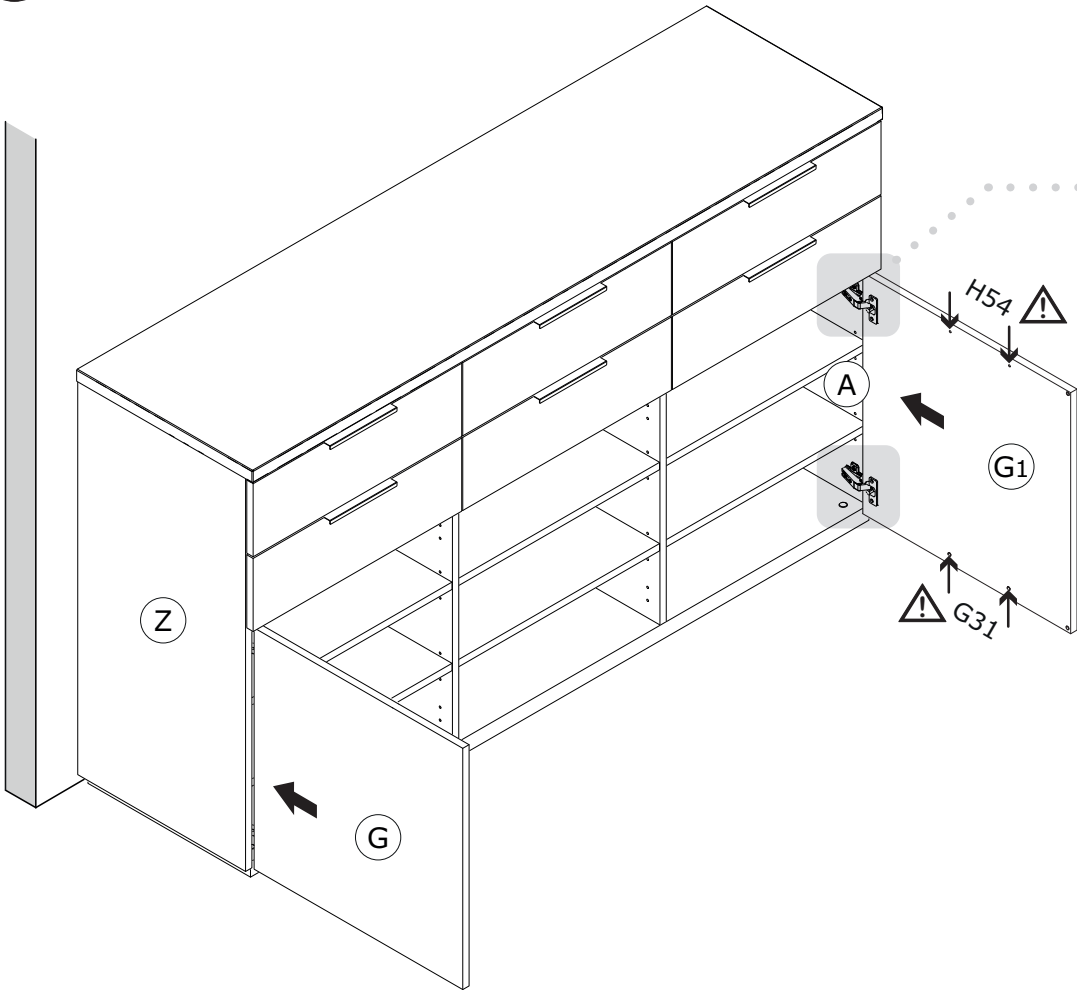
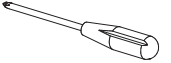
x6



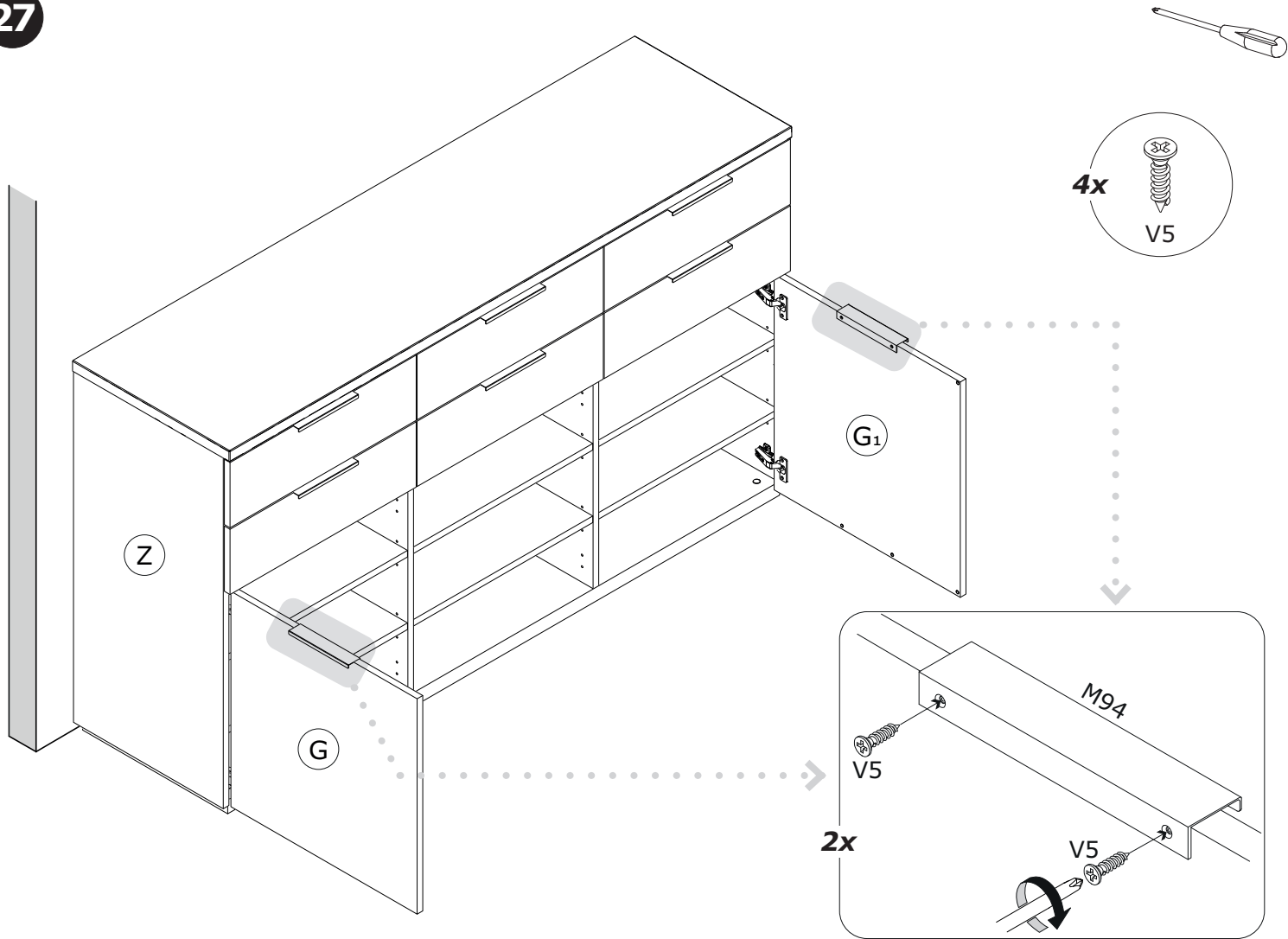
24



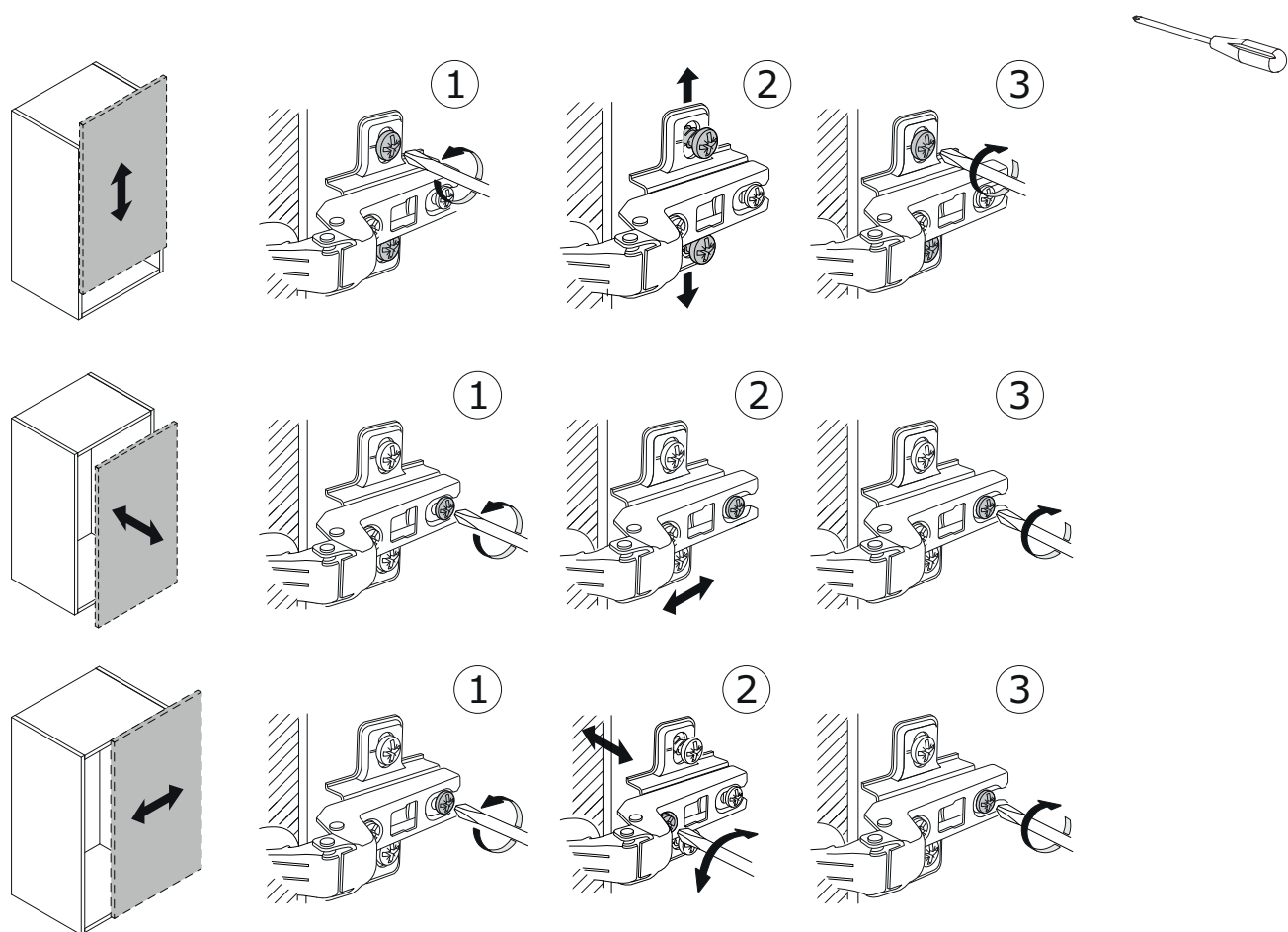


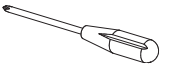


27

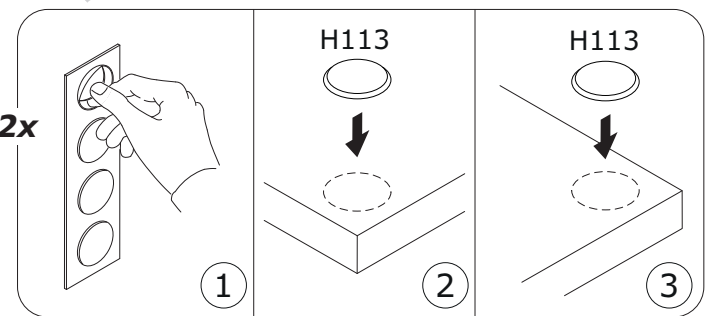
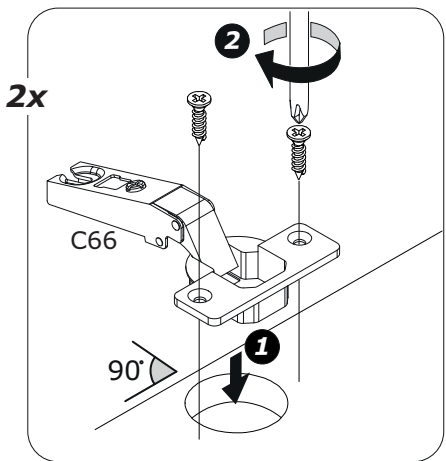
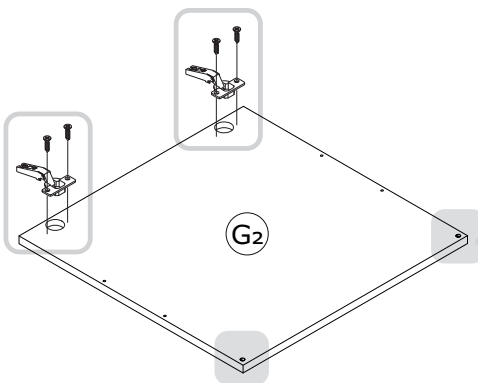
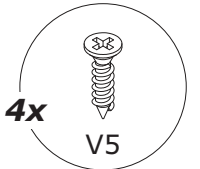
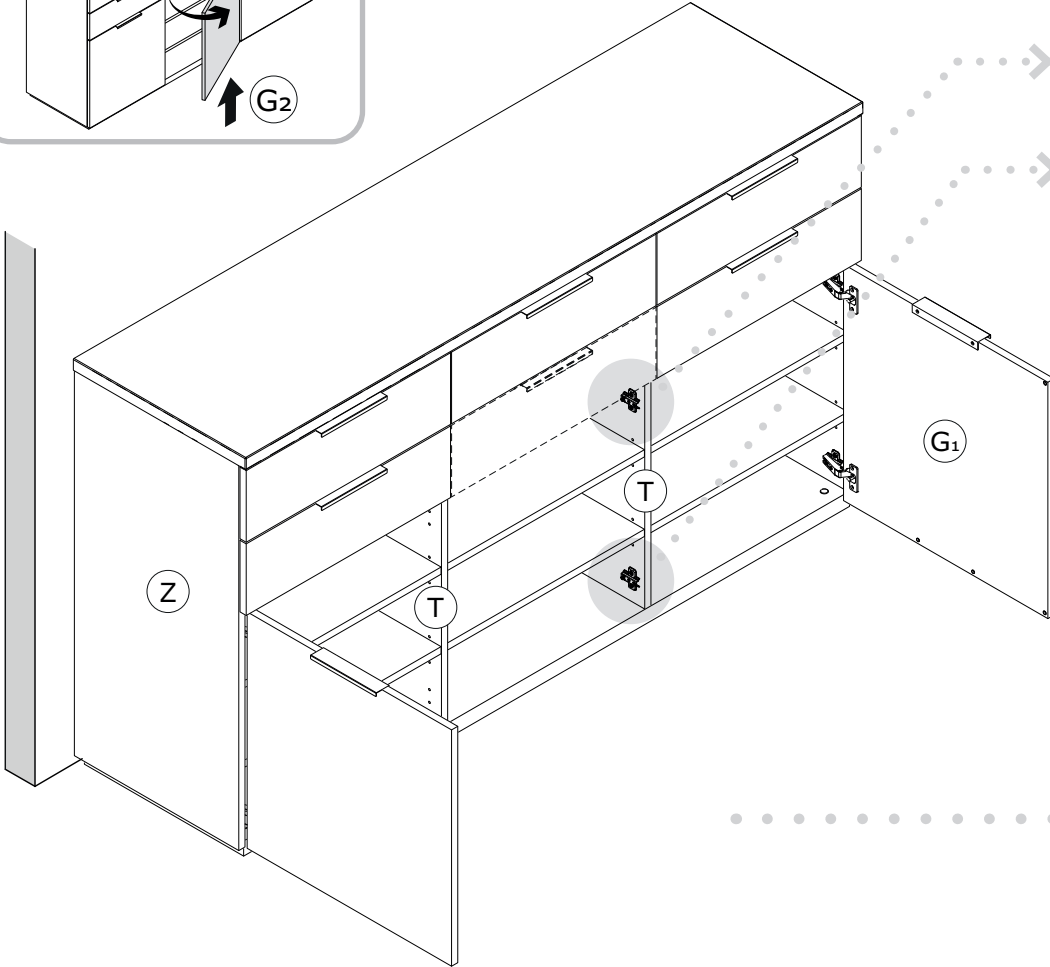
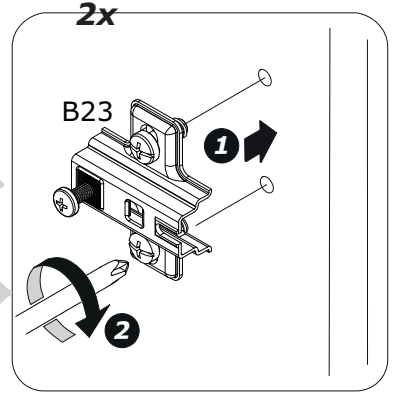
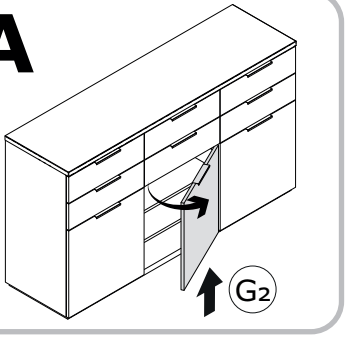


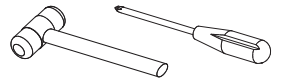
28



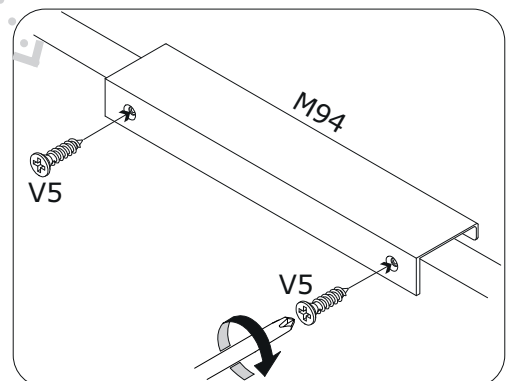
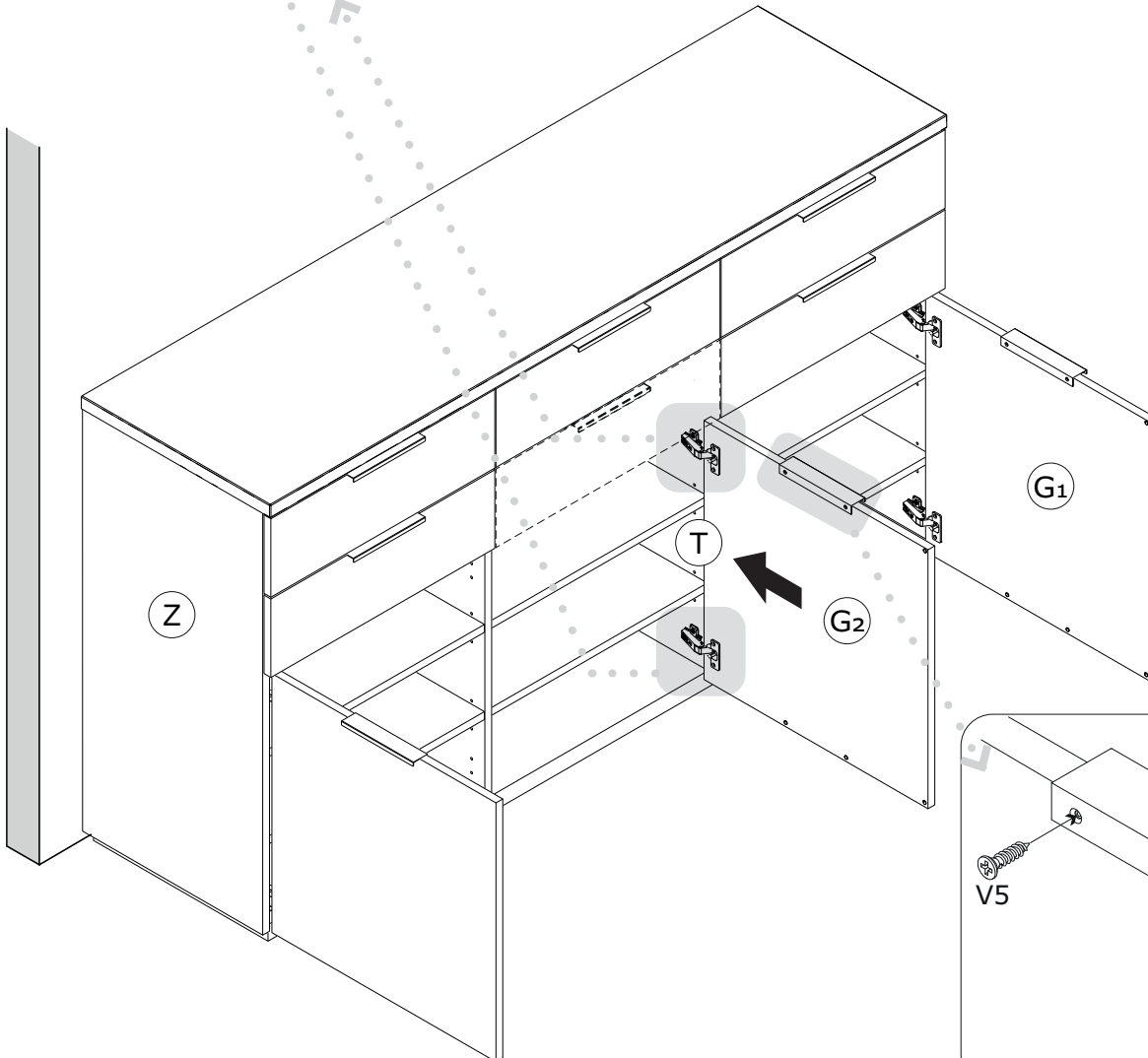
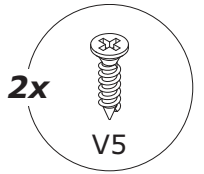
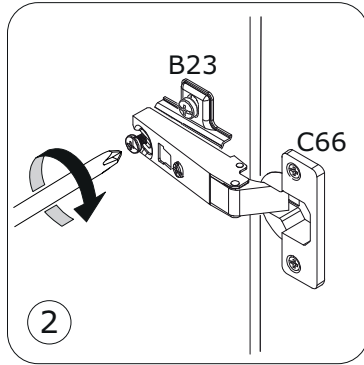
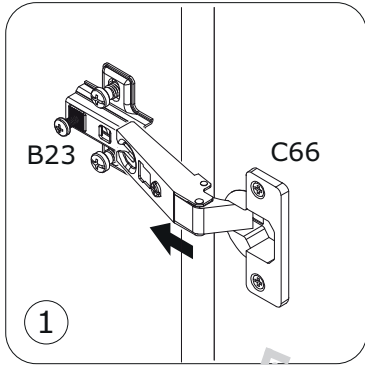
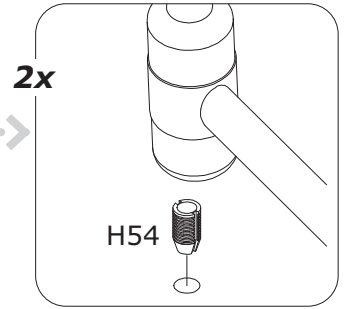
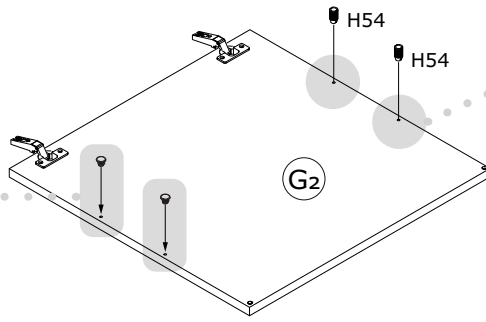
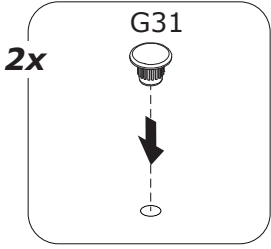


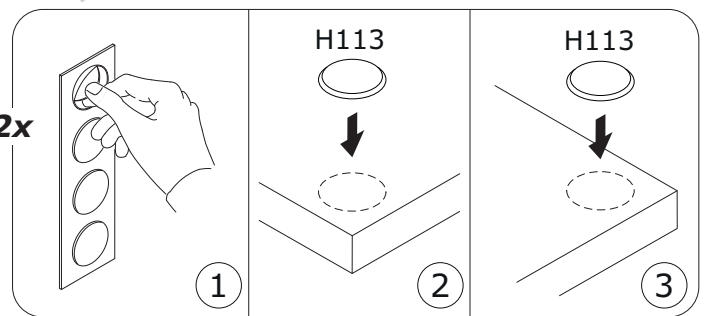
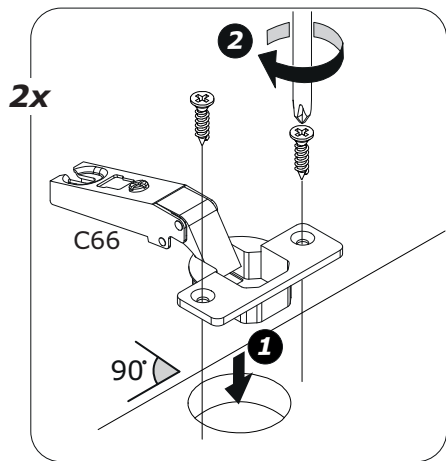
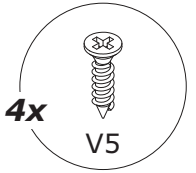
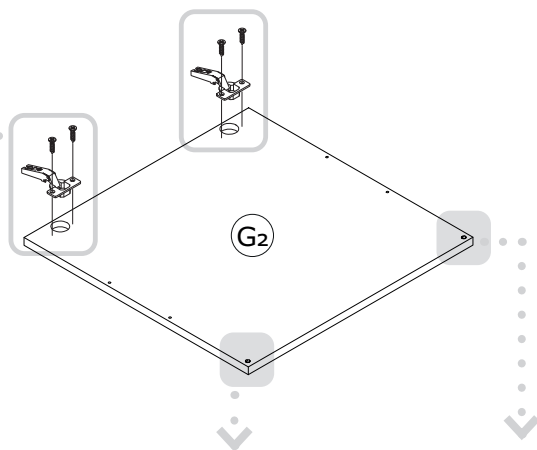
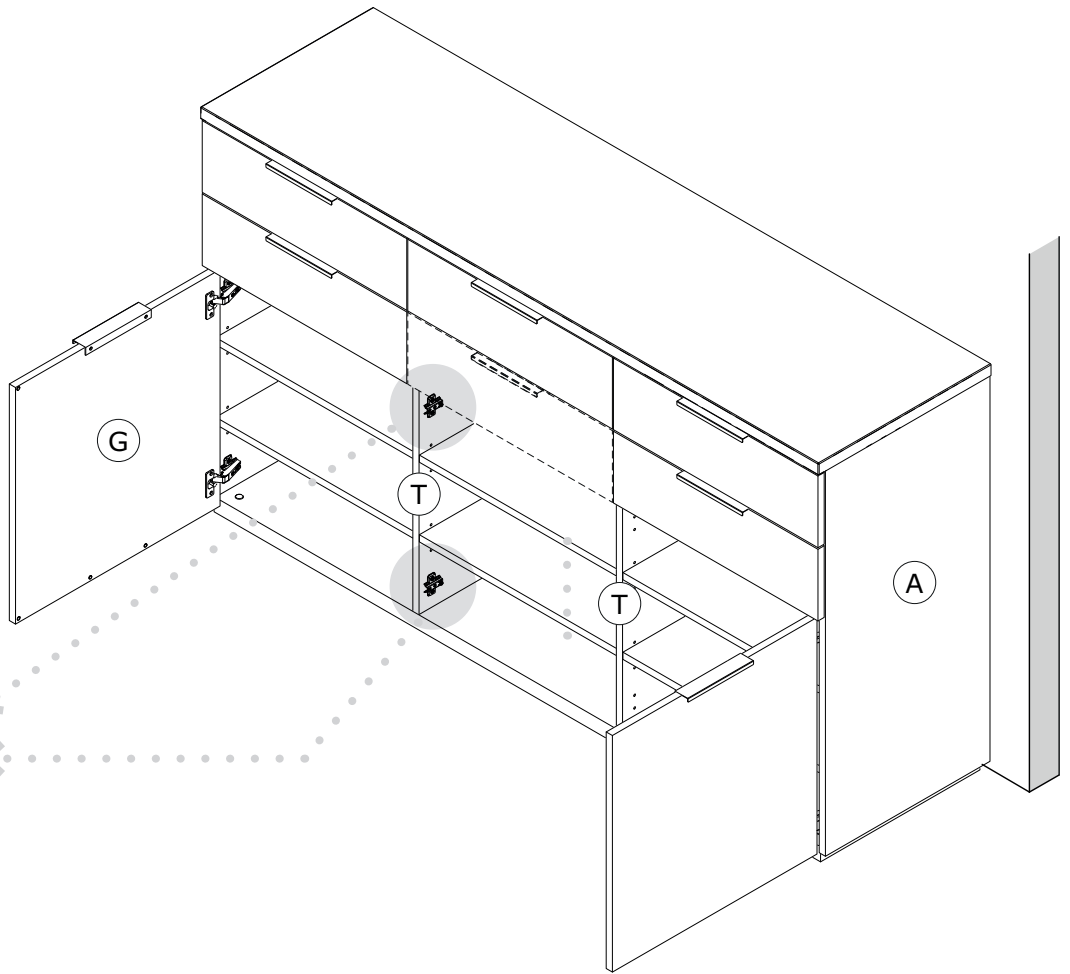
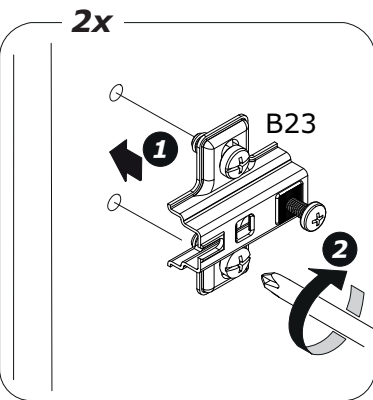
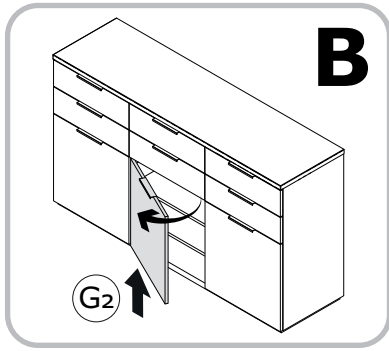
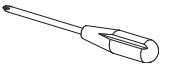
**A**





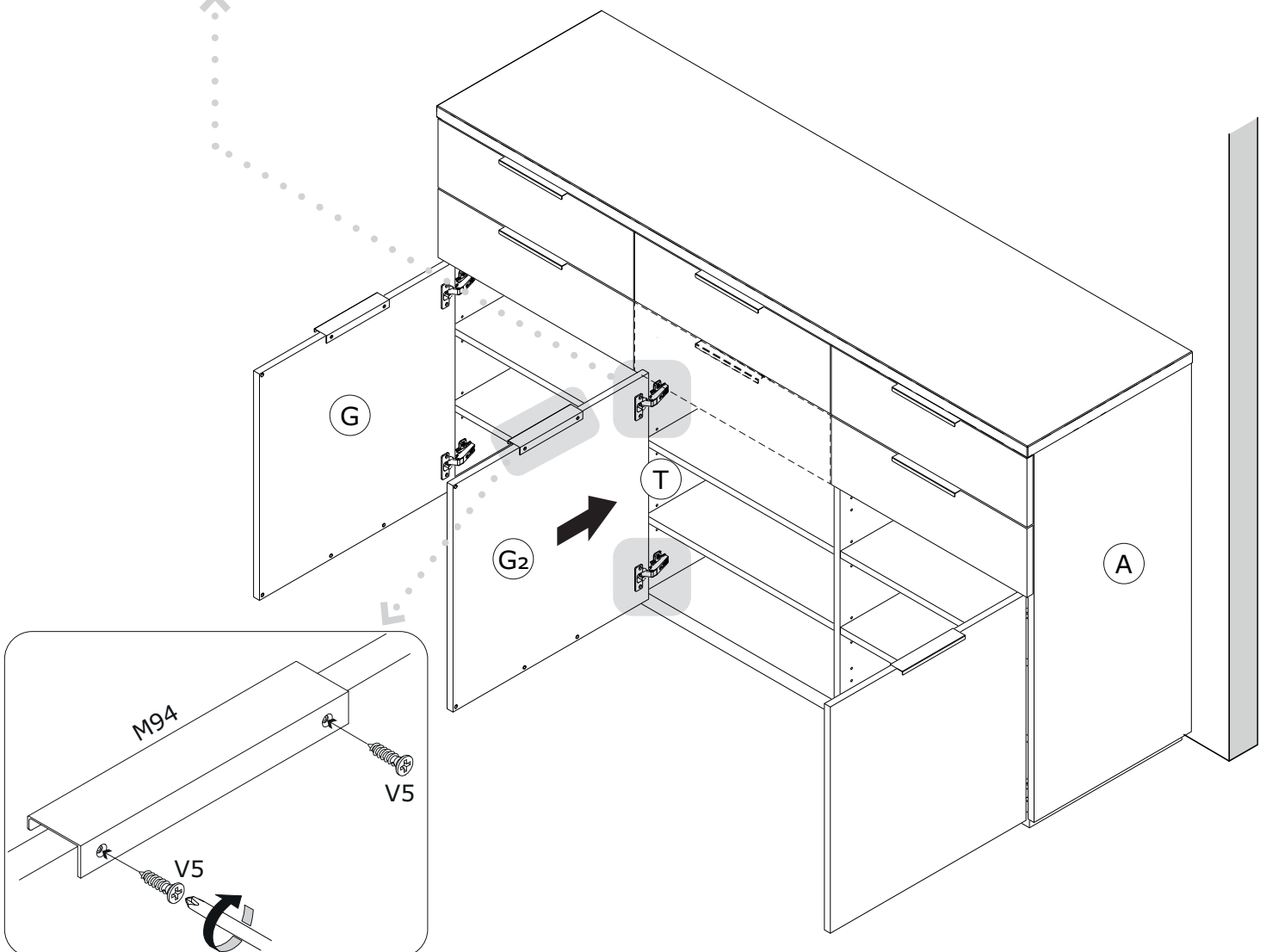
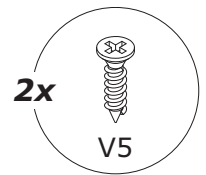
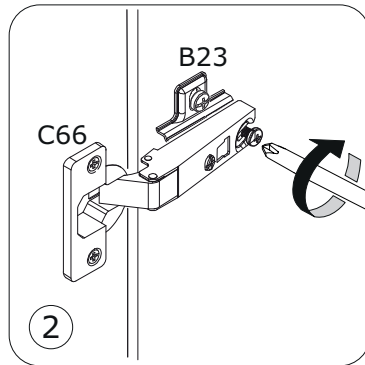
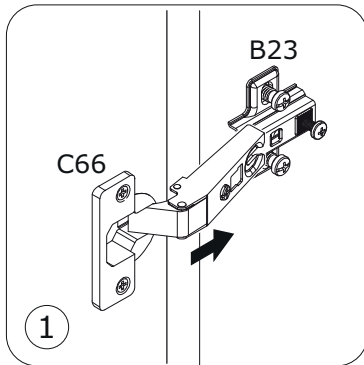
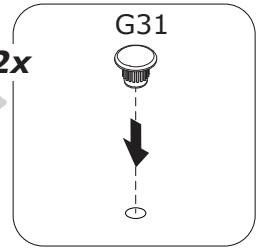
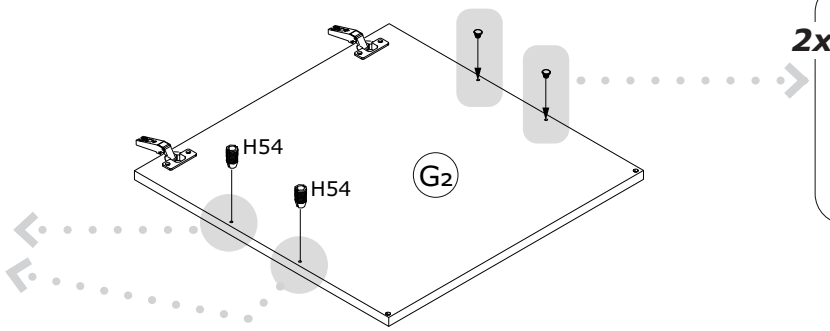
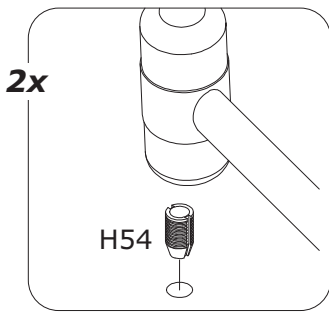
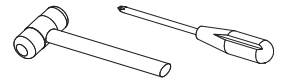
# A





32

# B



# A-B

