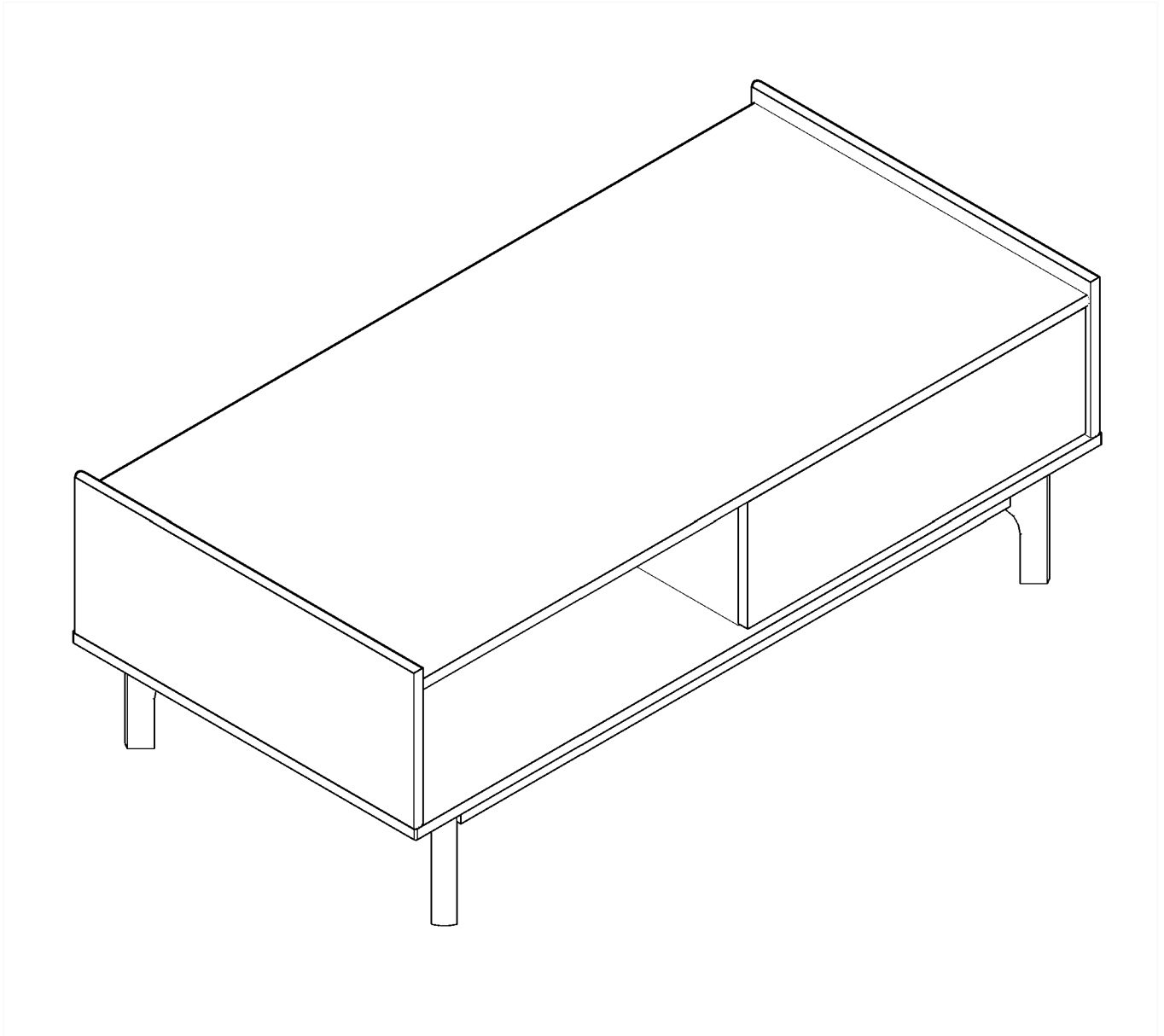


LuxenHöme

# Coffee Table

SKU WHIF2670



## ASSEMBLY INSTRUCTIONS



**90 min. assembly**  
**2 person**

\* The estimated assembly time may vary depending on the individual.

# Hey,there

Now is assembly time!

Deeeeeeep breathe.... and again....  
Tools ready,  
Easy peasy!

## Estimated



90 min. assembly  
2 person

## Tools Required

- Allen Wrench(included)
- Phillips screwdriver(not included)
- Hammer(not included)
- Power Drill(not included)
- Drill bit(not included)

*important.Cautious when you use power tools*

## Need Help?

- ☎ Call us at +1 909 548 6688
- ✉ Email [customerservice@luxenhome.com](mailto:customerservice@luxenhome.com)
- 🌐 Submit a ticket on [www.luxenhome.com/help](http://www.luxenhome.com/help)

Thank you for purchasing this LuxenHome product. This product has been manufactured with the highest standards of safety and quality.

**PLEASE READ ALL INSTRUCTIONS CAREFULLY BEFORE ASSEMBLY.**

Unpack all parts from the packaging inside the carton to ensure there are no missing or damaged parts. Lay out all the coffee table parts on a clean, flat, and soft surface to prevent scratches. Refer to the steps provided as assembling guide. Do not attempt to assemble or use the product if any parts are missing or damaged. Please save this manual for future reference.

### REMINDERS

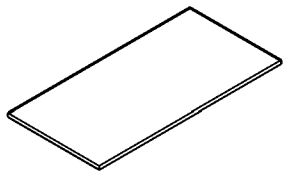
#### SAFE USAGE IS KEY

Your well-being is our top priority when you use our product. Please prioritize your safety by diligently following the assembly guidelines and inspecting the product carefully both when it arrives and before each use. Please be aware that LuxenHome and Winsome House, Inc. cannot be held liable for any injuries or fatalities that occur due to not adhering to the provided instructions or misuse of the product.

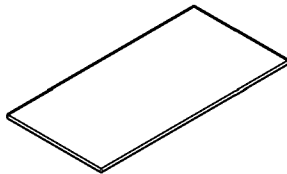
#### DO NOT MODIFY

Our products undergo rigorous testing to ensure they meet established safety standards before being released for sale. Altering the product in any way can lead to serious safety concerns, for which LuxenHome cannot assume responsibility.

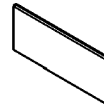
Furniture components:



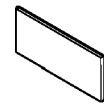
① Top Panel x1



② Bottom Panel x1



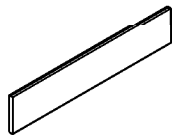
③ Side Panel (L) x1



④ Side Panel (R) x1



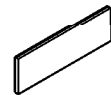
⑤ Center Panel x1



⑥ Back Panel x1



⑦ Leg Panel x4



⑧ Drawer Face Panel x1



⑨ Drawer Side Panel (L) x1



⑩ Drawer Side Panel (R) x1

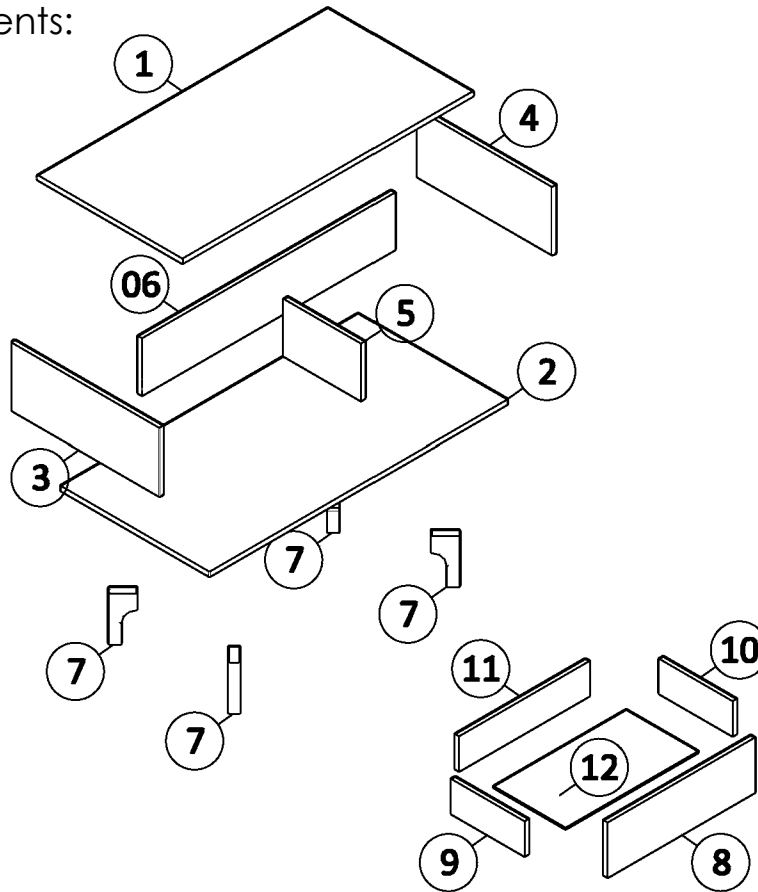


⑪ Drawer Back Panel x1








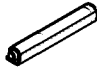










⑫ Drawer Mdf Board x1

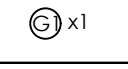
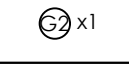
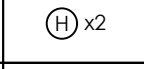
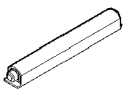
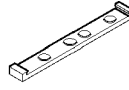

Furniture components:



Provided hardware:

-  **(A)** Cam Pin M5x24MM x9
-  **(B)** Cam Lock x9
-  **(C)** Wood Dowel M8x30MM x24
-  **(D1)** Drawer Slide 12" x1
-  **(D2)** Screw M3.5x12MM x12
-  **(E)** Screw M6x50MM x5
-  **(F)** Screw M4x38MM x4
-  **(G1)** Push Open Magnet x1
-  **(G2)** Push Open Magnet x1
-  **(G3)** Washer x1
-  **(G4)** Plug x1
-  **(G5)** Screw M3x11MM x1
-  **(H)** Screw M3.5x16MM x2
-  **(I)** Screw M7x50MM x8
-  **(J)** White Leg Pin x4
-  **(K)** Allen Key x1

# Step 1

 G1 x1	 G2 x1	 H x2
		 M3.5x16MM

### Installing Push Magnet Base Kit on Component 1

**Prepare Component 1:** Place Component 1 (top panel) with the hole facing upwards.

**Install Push Magnet Base Kit:** From the hardware G pack, take the Push Magnet Base Kit. Align G2 with the hole on the top panel of Component 1.

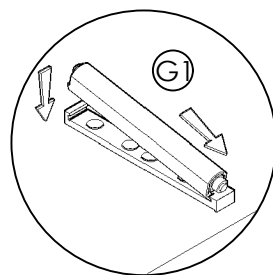
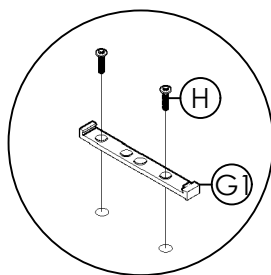
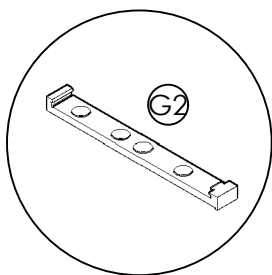
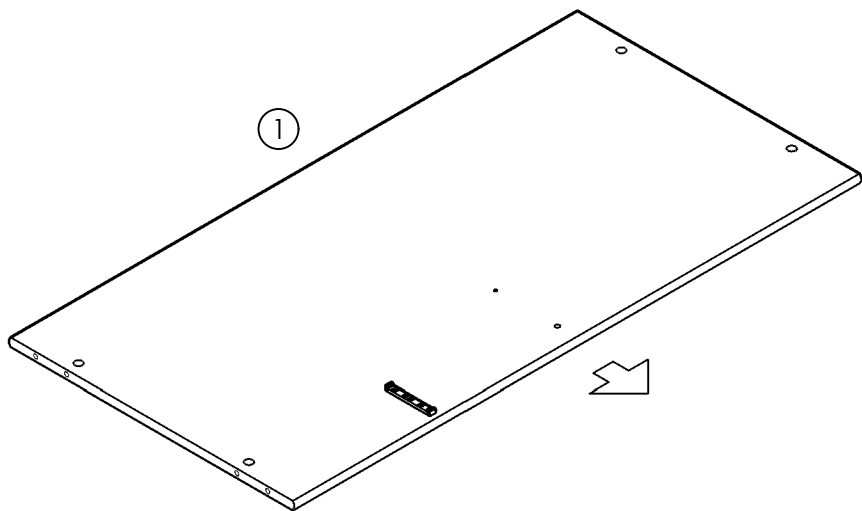
**Secure with Screw:** Use an M3.5 x 16mm screw and a screwdriver to tighten and secure the Push Magnet Base Kit to the top panel.

### Inserting the Push Magnet

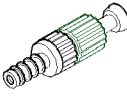

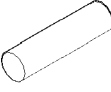



**Insert Push Magnet:** After installing the Push Magnet Base Kit, take the Push Magnet G1.

**Slot and Push:** Slot it in from the front and push down on the back side.

**Listen for Click:** A click sound will indicate that the Push Magnet is properly installed.



## Step 2

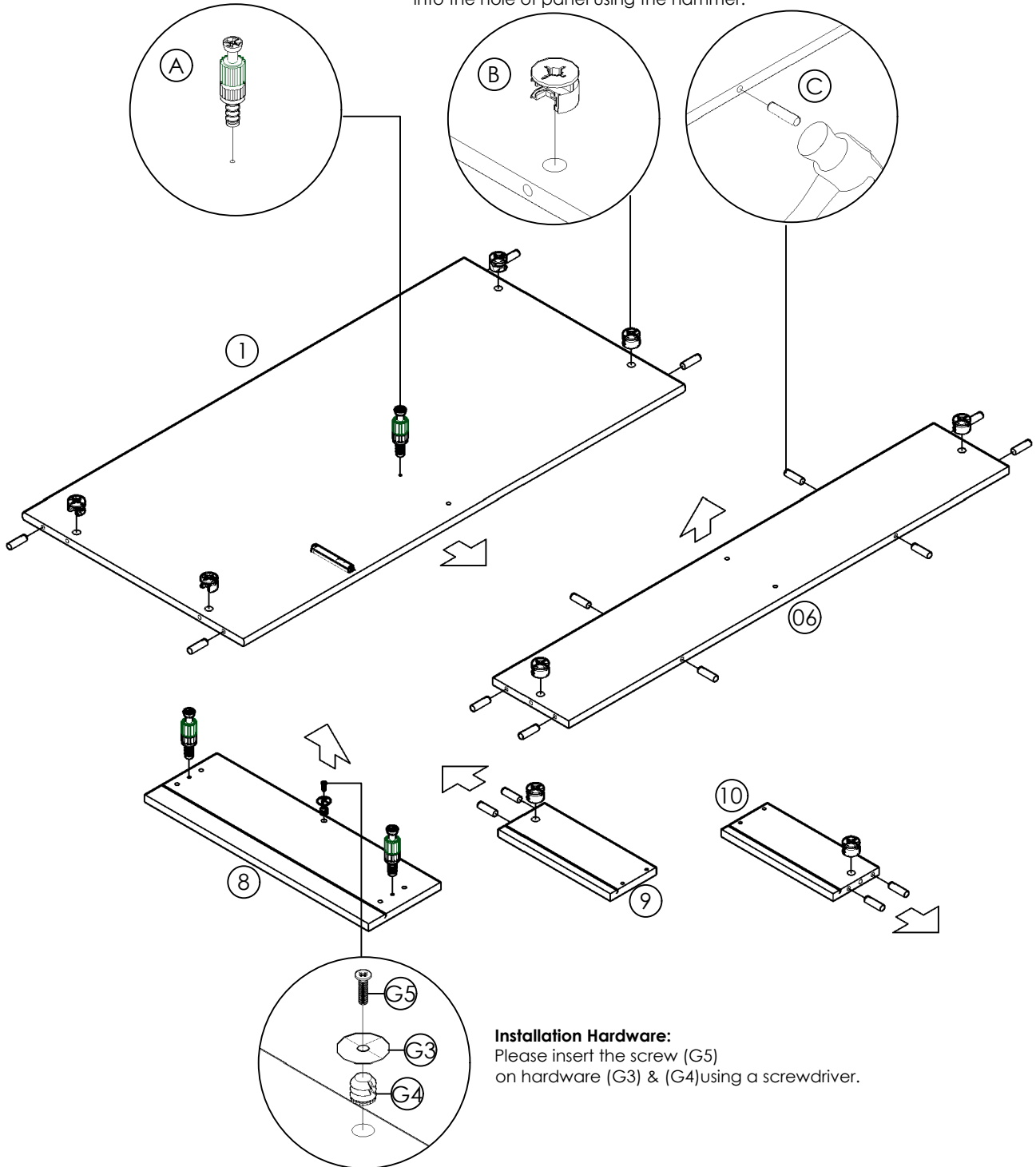
(A) x3	(B) x8	(C) x16	(G3) x1	(G4) x1	(G5) x1
					 M3x11MM

### Installation Cam Pin:

Please insert the screw (A) on panel using a screwdriver.

### Installation Hardware:

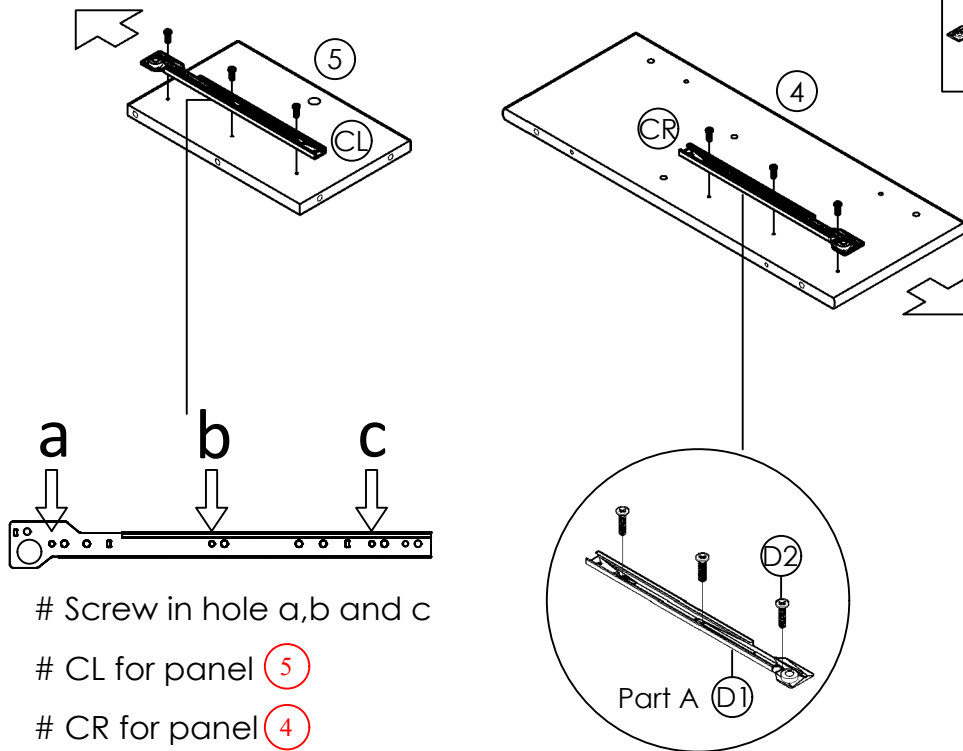
As Shown, Insert the Hardware Cam Lock (B) and Wood dowel (C) into the hole of panel using the hammer.



### Installation Hardware:

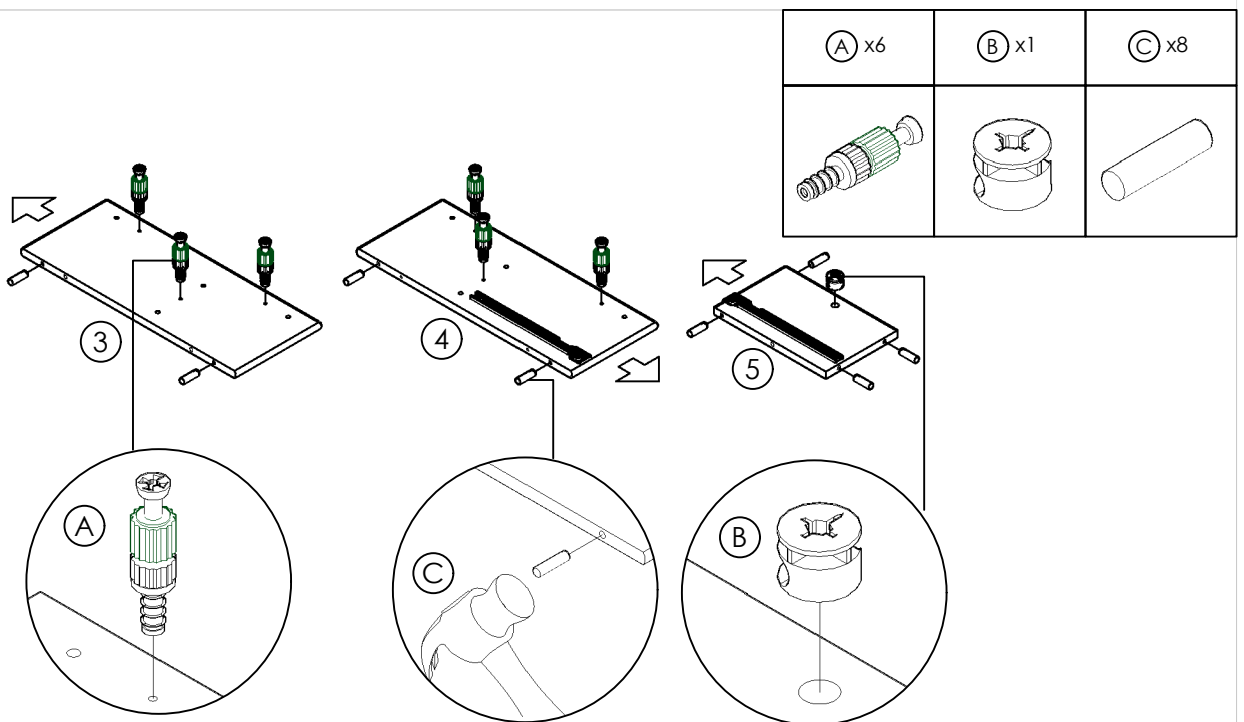
Please insert the screw (G5) on hardware (G3) & (G4) using a screwdriver.

### Step 3



**Note:** Please find the CL and CR steel seals on the tracks.

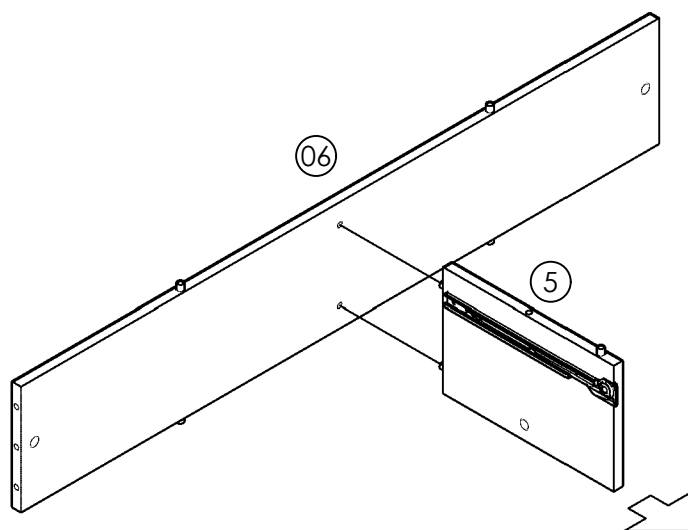
### Step 4



**Installation Cam Pin:**  
Please insert the screw (A) on panel using a screwdriver.

**Installation Hardware:**  
As Shown, Insert the Hardware Cam Lock (B) and Wood dowel (C) into the hole of panel using the hammer.

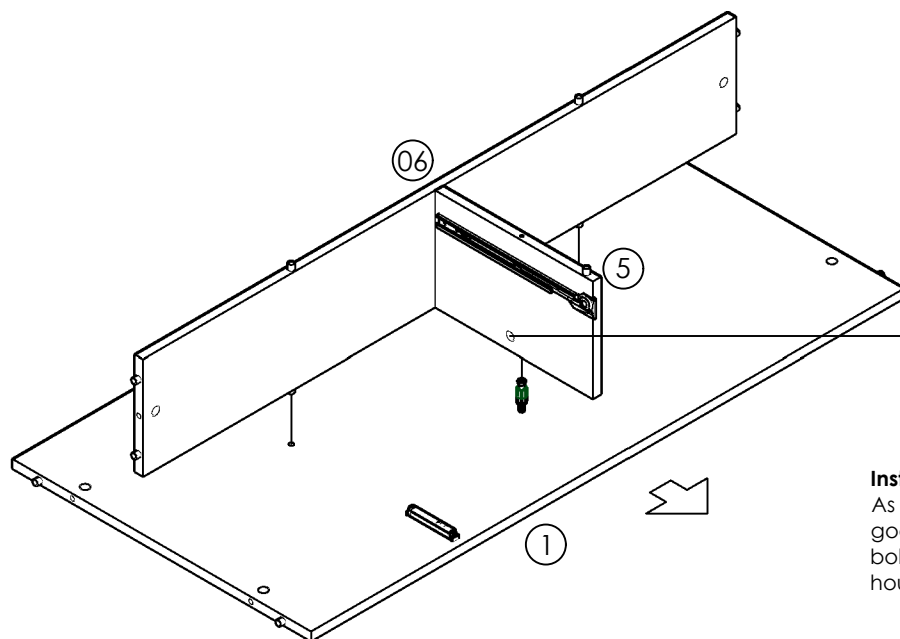
## Step 5



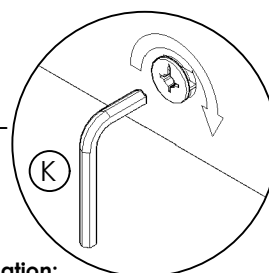
### Joining Part in the Position:

As shown, stand the panel on the position to attach together the component No 5 with the component No 06 into the hole.

## Step 6



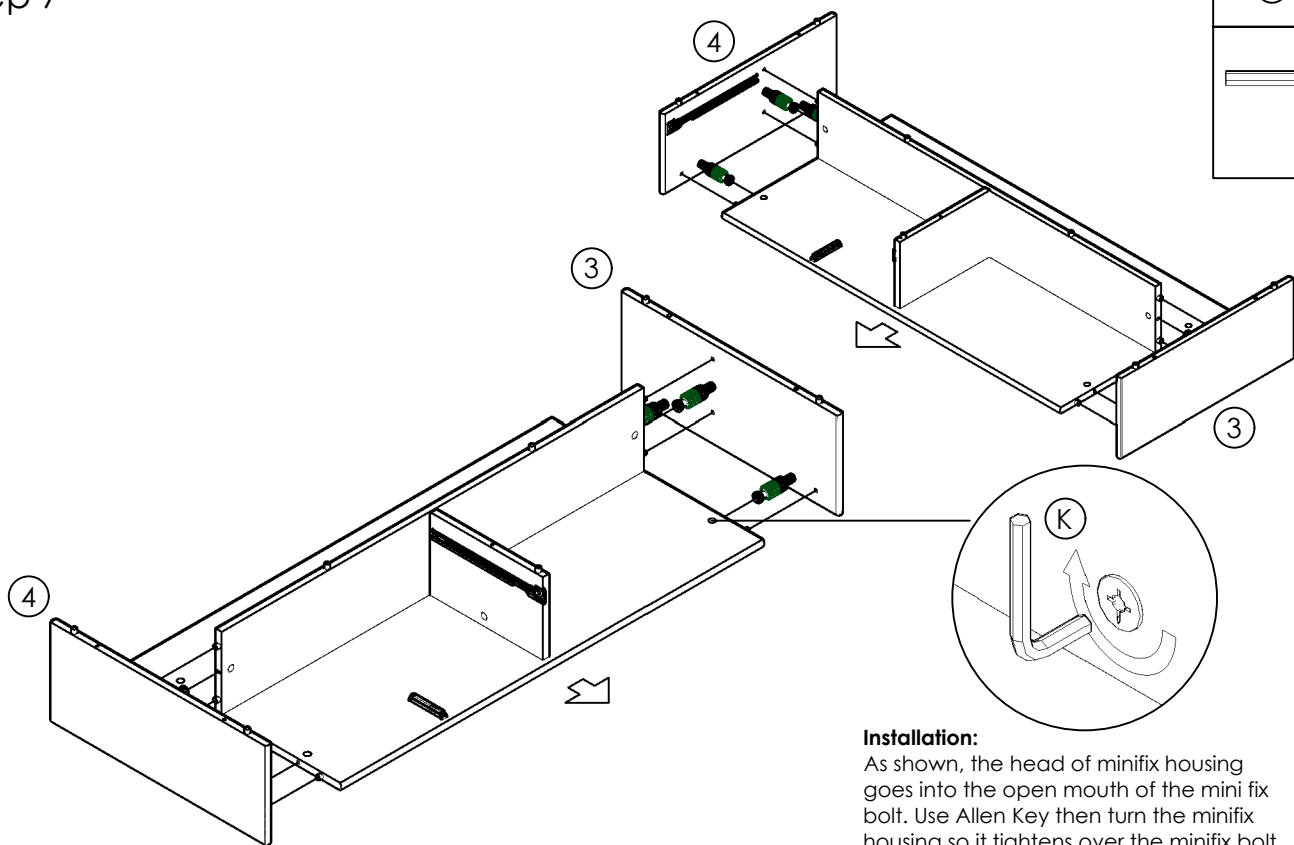
(K) x1



### Installation:

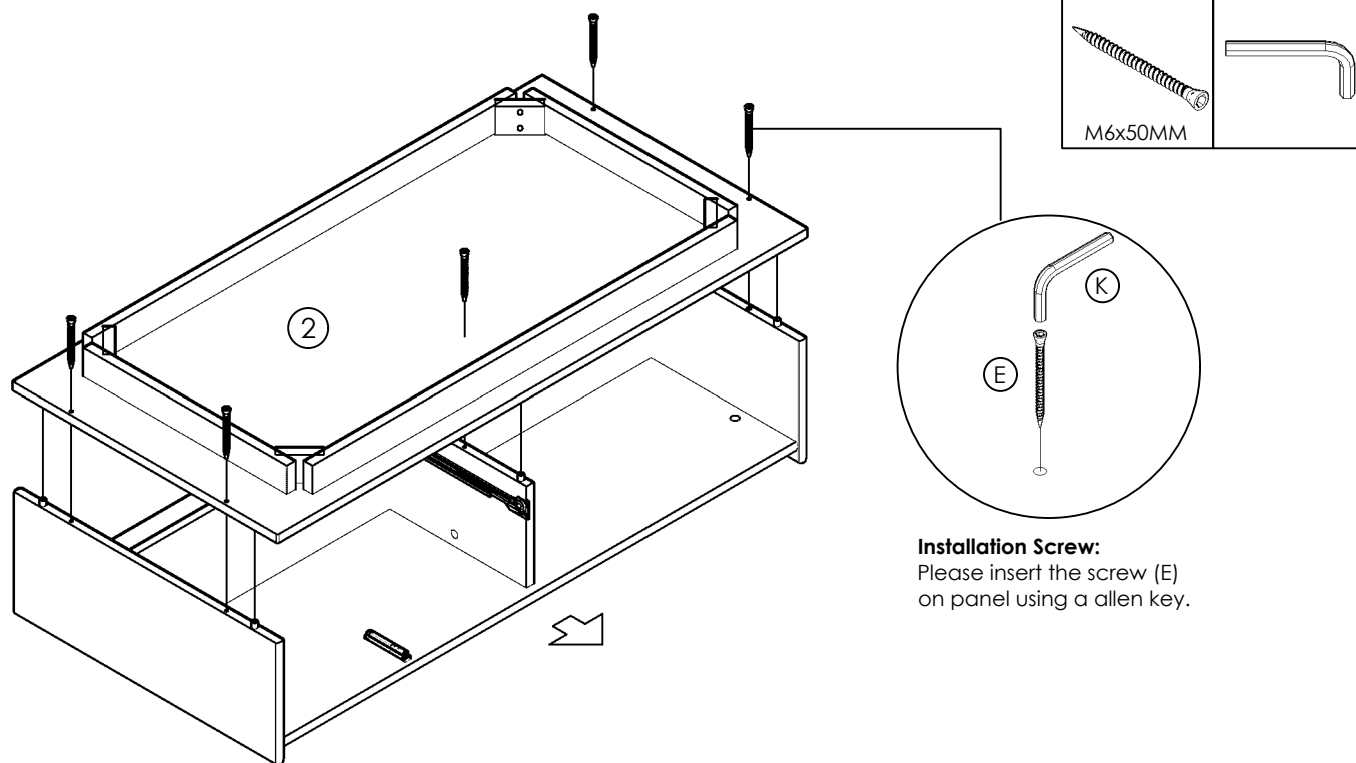
As shown, the head of minifix housing goes into the open mouth of the mini fix bolt. Use Allen Key then turn the minifix housing so it tightens over the minifix bolt.

## Step 7



**Installation:**  
As shown, the head of minifix housing goes into the open mouth of the mini fix bolt. Use Allen Key then turn the minifix housing so it tightens over the minifix bolt.

## Step 8



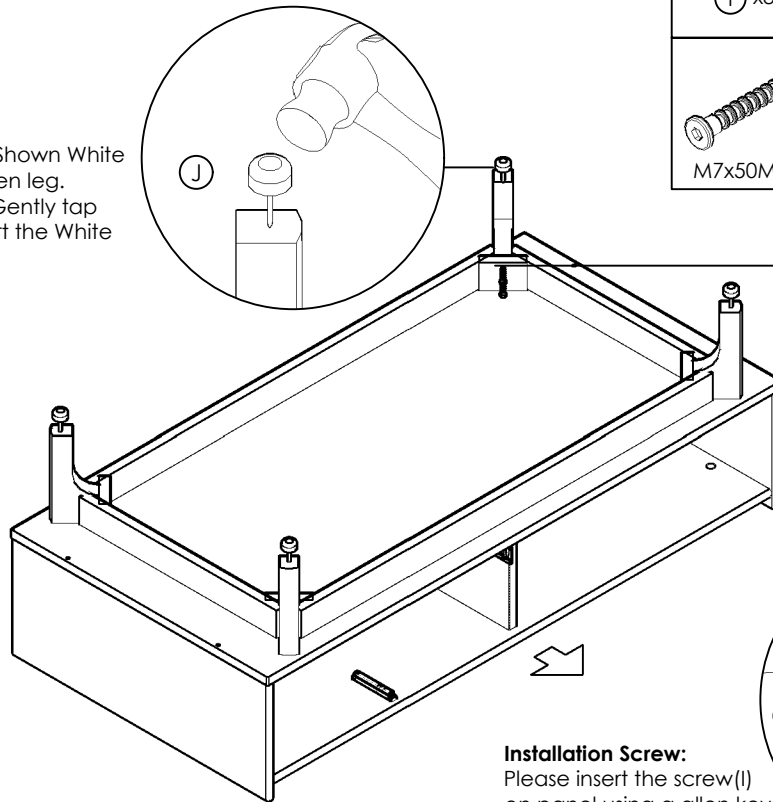
**Installation Screw:**  
Please insert the screw (E) on panel using an allen key.


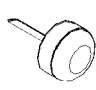
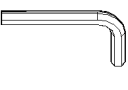
## Step 9

### Insert Hardware

**Attach to Wooden Leg:** As Shown White Leg Pin (J) attach to wooden leg.

**Use Hammer for Insertion:** Gently tap with a hammer to fully insert the White Leg Pin (J).



(I) x8	(J) x4	(K) x1
 M7x50MM		

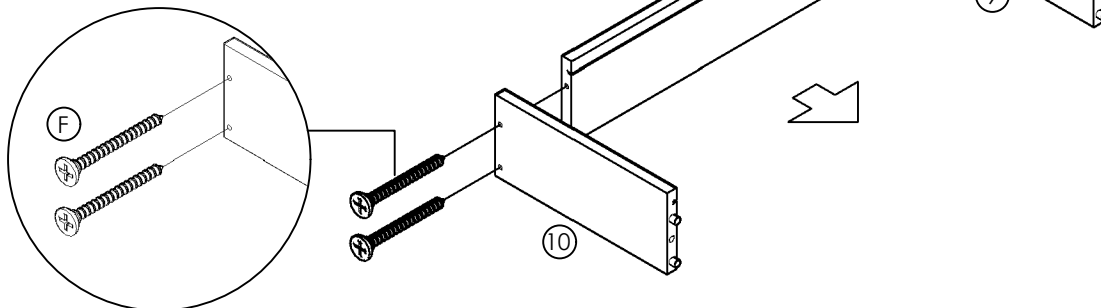
### Installation Screw:


Please insert the screw (I) on panel using a allen key.

## Step 10

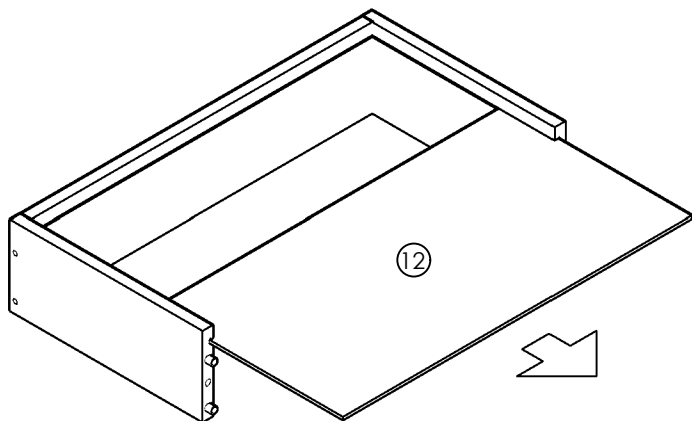
### Installation Screw:

Please insert the screw (F) on panel using a allen key.



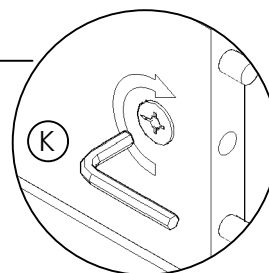
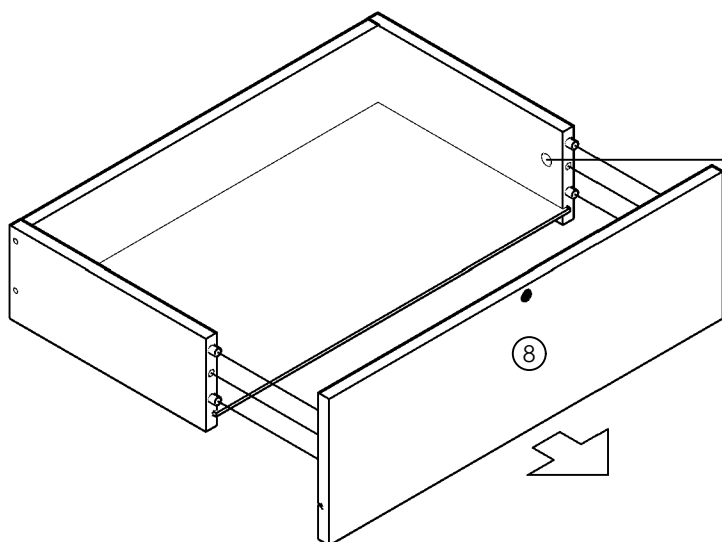
(F) x4
 M4x38MM

## Step 11

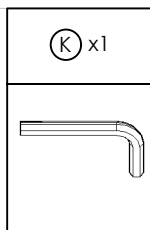


**Installing Drawer MDF Board:**  
Insert Drawer MDF Board into the groove of panel.



## Step 12



**Installation:**  
As shown, the head of minifix housing goes into the open mouth of the mini fix bolt. Use Allen Key then turn the minifix housing so it tightens over the minifix bolt.



### Step 13

(D1) x1	(D2) x6
	
	M3.5x12MM

back **c** **b** **a** front

**a** → # Make sure the non-wheeled part of the drawer is touching the front of the drawer.  
**b** → # Screws in holes a, b and c.  
**c** → # DL for left drawer  
           # DR for right drawer  
**DL** **DR**  
 Roller

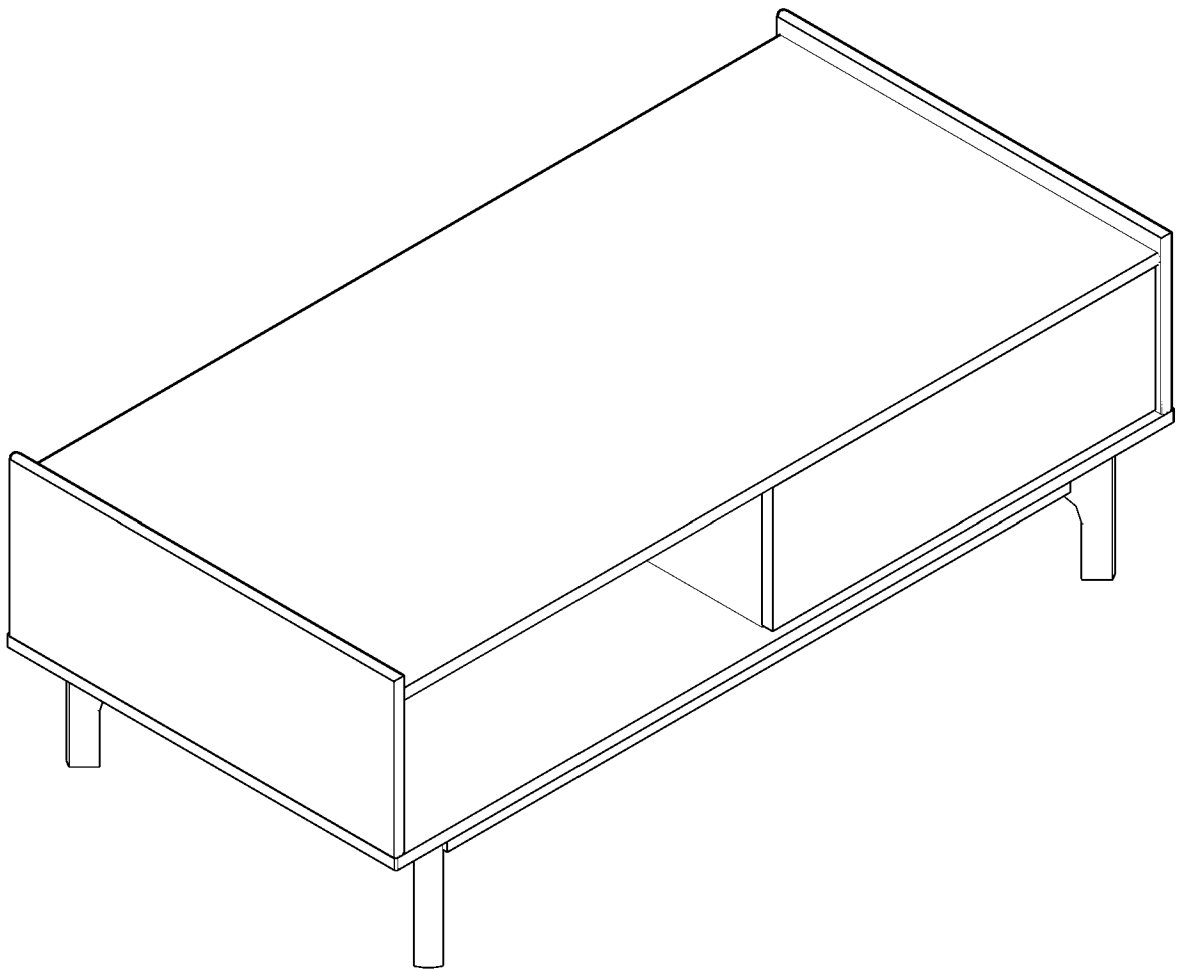
**Note:** Please find the DL and DR steel seals on the tracks.

### Step 14

**Installing Drawer**  
Insert Drawer Panel into the cabinet.

# VOILA!

Now enjoy.



## Warning !!!

**DO NOT** stand on the table as this may damage the product and cause serious bodily injury.

# Something not right?

We are always here to help.

We make mistakes like every human does. Though we always strive to provide the best possible products at competitive prices and the best service in the industry, it's not possible to completely eliminate mistakes. If you experience any dissatisfaction, feel free to contact us immediately. Our in-house customer care team will respond ASAP.

- [customerservice@luxenhome.com](mailto:customerservice@luxenhome.com)  
Get response within 24 hrs
- 909.548.6688  
Mon-Fri 9am-5pm PST/PDT
- [www.luxenhome.com/help](http://www.luxenhome.com/help)  
Submit a ticket on our website

## Things to do to expedite the process

- Have your order# ready
- Take photos/videos to help us better identify the issues
- DO NOT throw away the packaging

# Happy with our product?

## Leave us a review

It really help us as a small business

Find the product you purchased on our website (tip: search by SKU) and leave us a review.

Alternatively, you can always return to the marketplace where you purchased it and leave a review there.

## Share with others

Our customers look for REAL stuff



• Follow us on IG @luxen.home  
• Share your #liveluxen moments



# Please save this manual for future reference.