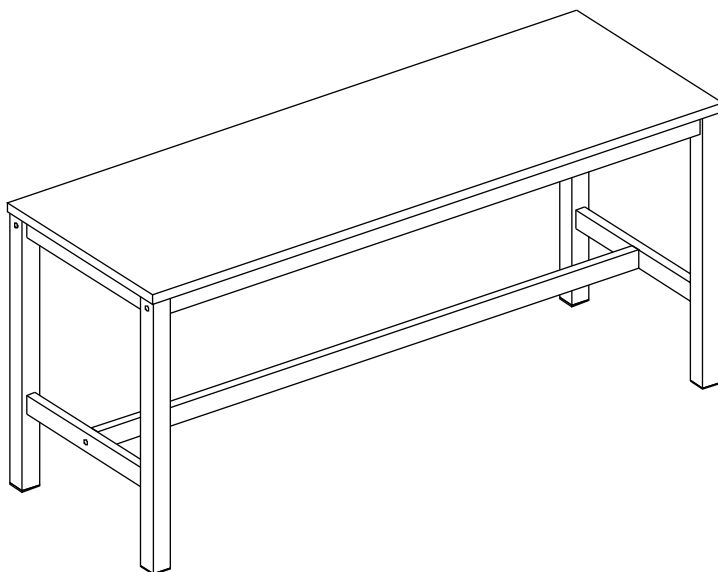


# SHEFFIELD BENCH

CHR-SHFD-BNCH-BK/NAT-01

— Instruction manual

[www.laura-james.co.uk](http://www.laura-james.co.uk)



# CONTENTS

---

Safety and care advice	<b>1</b>
Components	<b>2</b>
Components – fittings	<b>3</b>
Assembly instructions	<b>4</b>
Copyright	<b>6</b>

# ⚠ SAFETY AND CARE ADVICE ⚠

---

## PLEASE READ THESE INSTRUCTIONS CAREFULLY AND KEEP FOR FUTURE REFERENCE

- **Warning:** This unit weighs approximately 8.2kgs. Please lift with care.
- Check you have all the components and tools listed on pages 2 and 3.
- Remove all fittings from the plastic bags and separate them into their groups.
- Keep children and animals away from the work area, small parts could choke if swallowed.
- Make sure you have enough space to layout the parts before starting.
- Do not stand or put weight on the product, this could cause damage.
- Assemble the item as close to its final position (in the same room) as possible.

- Assemble on a soft level surface to avoid damaging the unit or your floor (use opened out unit carton).



- We do not recommend the use of power drill/drivers **for inserting screws**, as this could damage the unit. Only use hand screwdrivers.
- Dispose of all packaging carefully and responsibly.

## CARE AND MAINTENANCE

---

- Only clean using a damp cloth and mild detergent, do not use bleach or abrasive cleaners.
- From time to time check that there are no loose screws on this unit.

- This product should not be discarded with household waste. Take to your local authority waste disposal center.

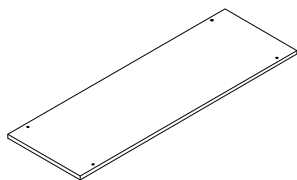
**Note** *If required the next page can be cut out and used as reference throughout the assembly. Keep this page with these instructions for future reference.*

# COMPONENTS

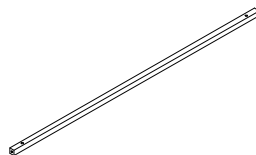
Ensure the following components are in the box before proceeding with assembly:



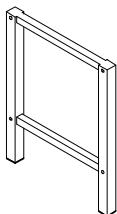
1



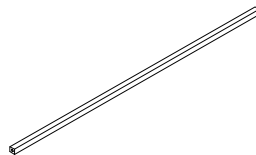
3



2



4



## PARTS LIST

1	Top panel	x1	3	Top support bar	x2
2	Frame	x2	4	Bottom support bar	x1



# COMPONENTS — FITTINGS

---

Please check you have all the fittings listed below:

**A**  Bolt M6\*50mm x 4

**B**  Bolt M6\*40mm x 6

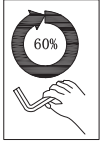
**C**  Allen Key 4mm x 1






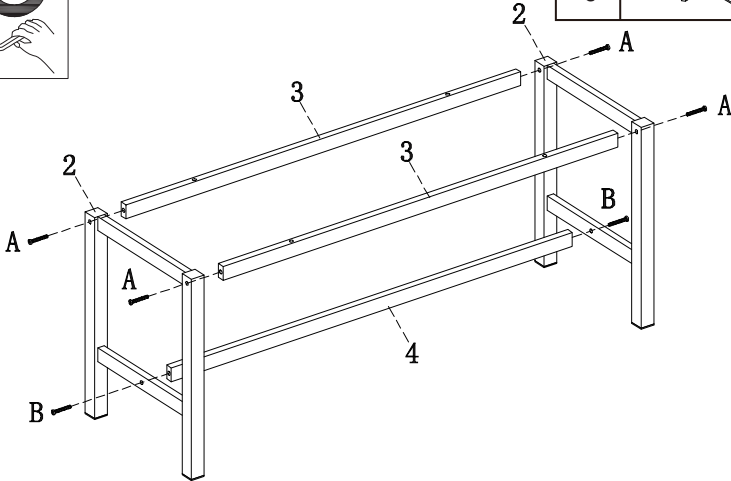
# ASSEMBLY INSTRUCTIONS

## Step 1

Do not tighten screws until completely assembled.





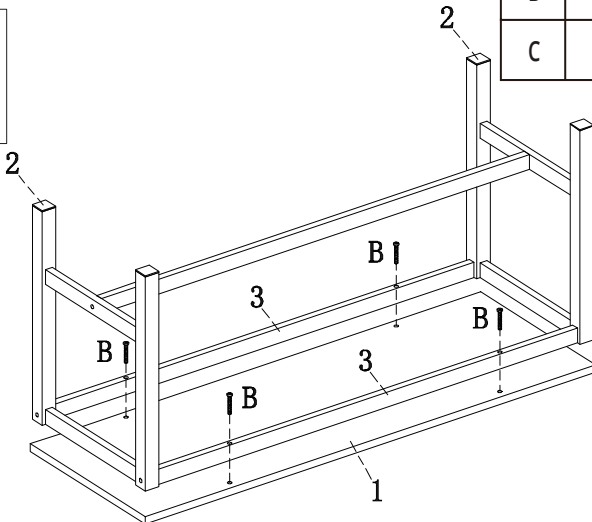
A		4
B		2
C		1



## Step 2

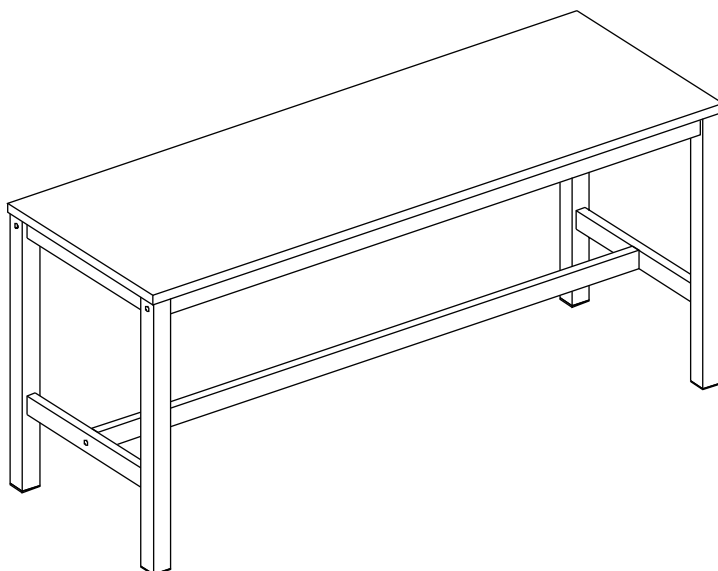


B		4
C		1



# ASSEMBLY INSTRUCTIONS

---



Congratulations! Now you have finished assembling the product. There may be some dust or hand marks on your item, we recommend using a damp cloth to clean this product.

# IF YOU FIND A DEFECTIVE PART

---

We fully stock all parts and components. Any defective part can be quickly replaced. Take note of the defective part number in manual and we will arrange a replacement.

You can email our team at [customercare@laura-james.co.uk](mailto:customercare@laura-james.co.uk)

## COPYRIGHT

---

All material in this instruction manual is copyrighted by AGTC Ltd.

Any unauthorised use may violate worldwide copyright, trademark and other laws.

Thank you for purchasing!

Laura James® is a registered trademark of AGTC Ltd.  
Made in China for AGTC LTD S35 2PH

---

Laura James

[www.laura-james.co.uk](http://www.laura-james.co.uk)