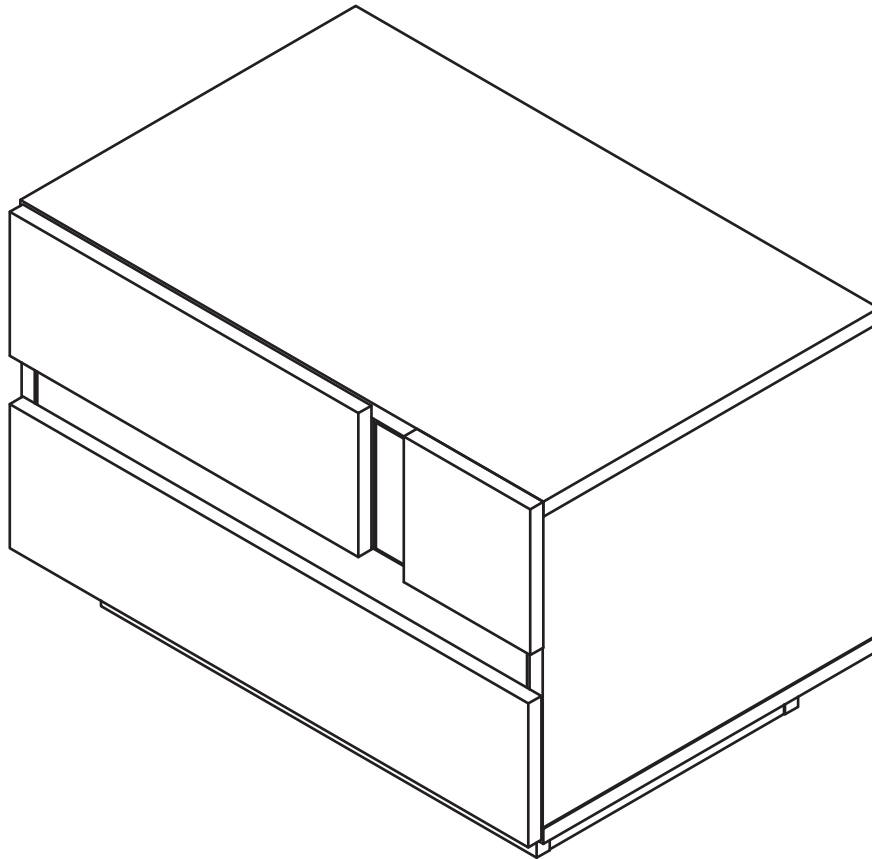


BEDSIDE TABLE

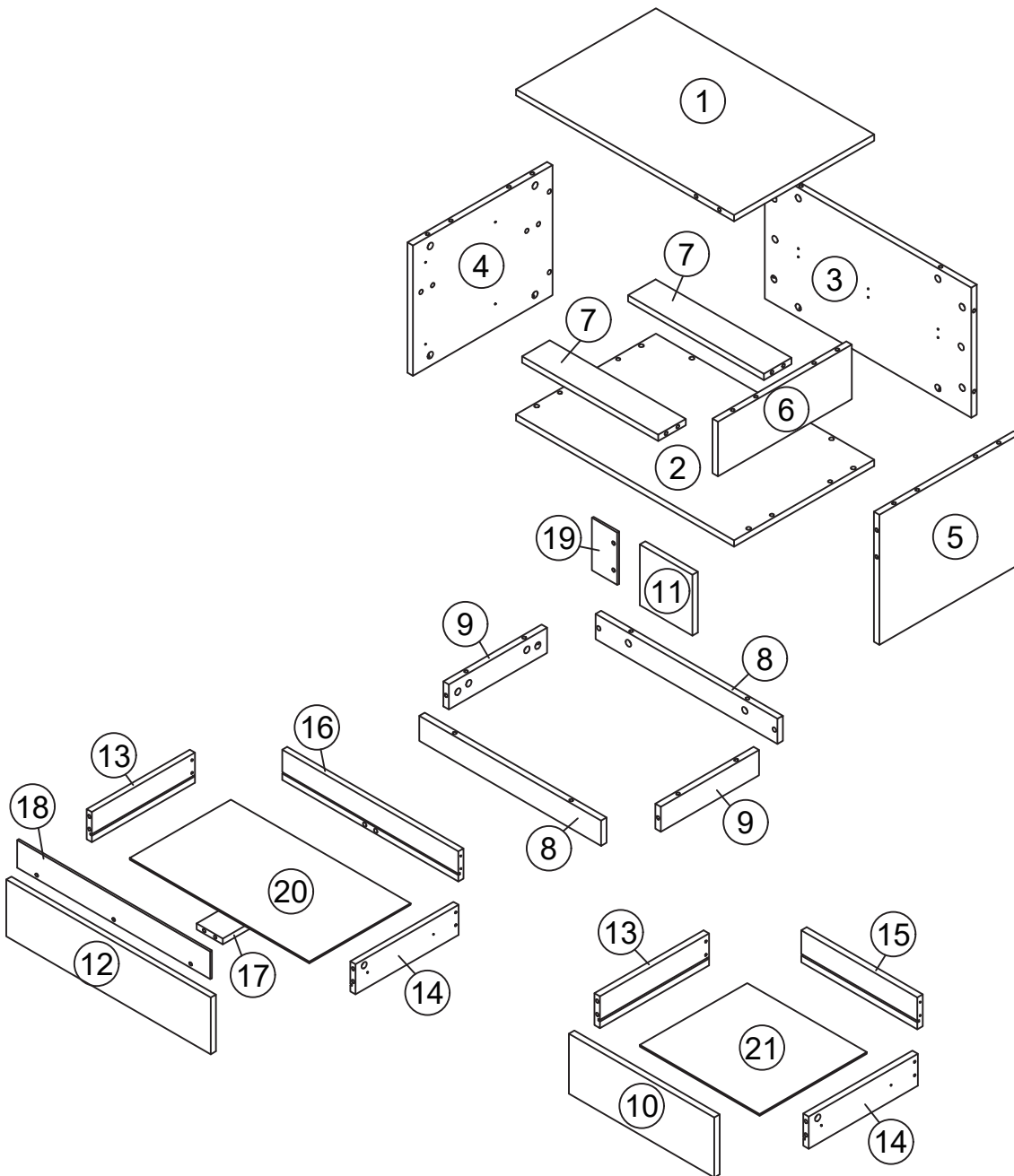
USER MANUAL

1

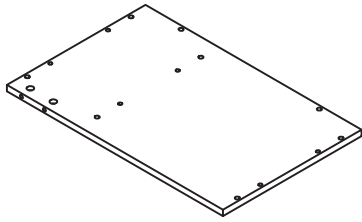
ASSEMBLY INSTRUCTIONS



BOARD IDENTIFICATION

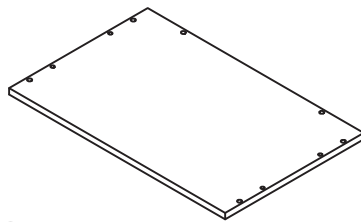


PARTS LIST



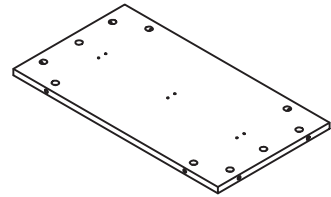
①

MAIN PANEL



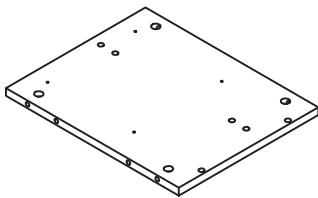
②

BOTTOM



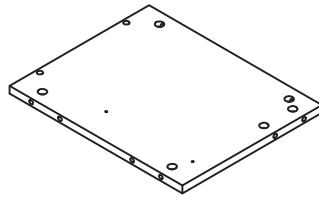
③

BACK PANEL



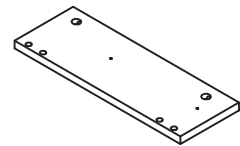
④

LEFT SIDE PANEL



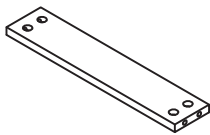
⑤

RIGHT SIDE PANEL



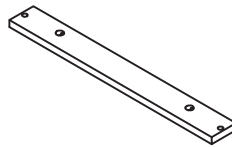
⑥

MIDDLEPANEL



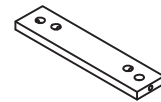
⑦

PULL PLATE
QTY:2



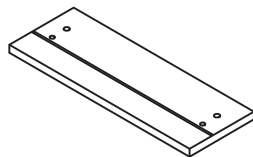
⑧

SKIRTING BOARD
QTY:2



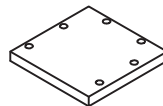
⑨

STANDING PLATE
QTY:2



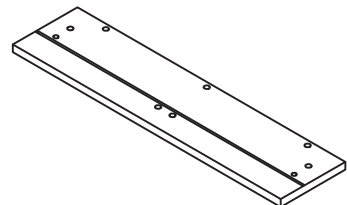
⑩

UPPER DRAWER FRONT



⑪

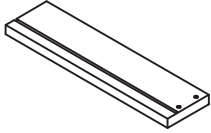
FRONT PANEL



⑫

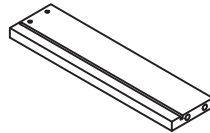
LOWER DRAWER FRONT

PARTS LIST



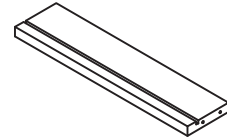
⑬

DRAWER LEFT
QTY:2



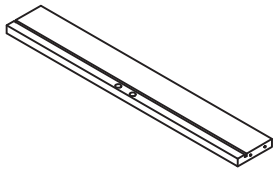
⑭

DRAWER RIGHT
QTY:2



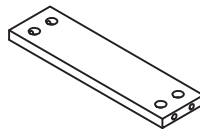
⑮

DRAWER BACK



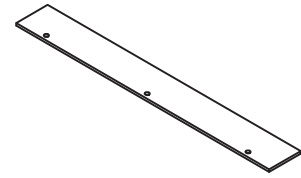
⑯

DRAWER BACK



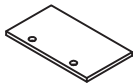
⑰

DRAWER BOTTOM PULL



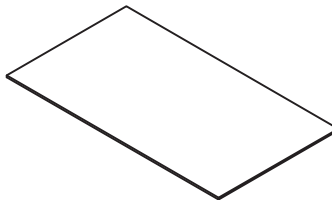
⑱

ACRYLIC SHEETS



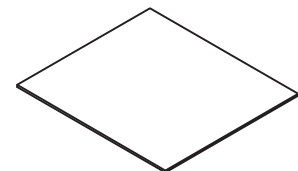
⑲

ACRYLIC SHEETS



⑳

DRAWER BOTTOM

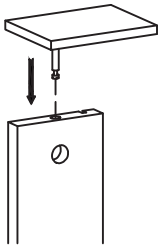


㉑

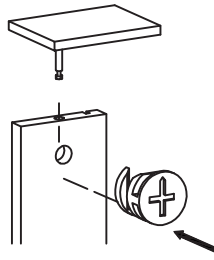
DRAWER BOTTOM

5

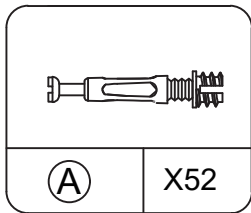
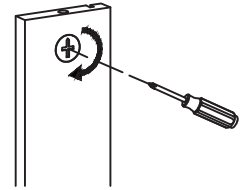
1



2

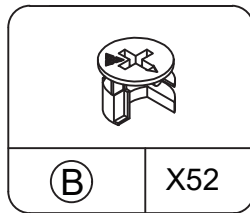


3



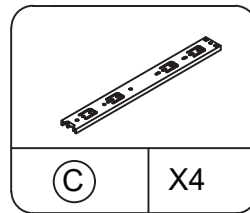
(A) X52

CAM BOLT
F7*30



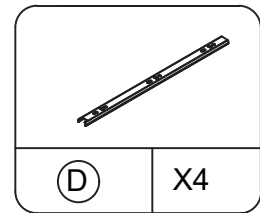
(B) X52

CAM LOCK
F15*11



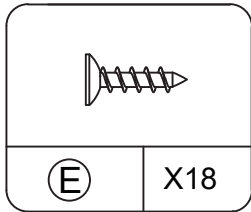
(C) X4

OUTER TRACK
F20*300



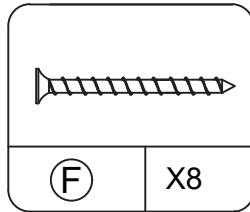
(D) X4

INNER TRACK
F20*300



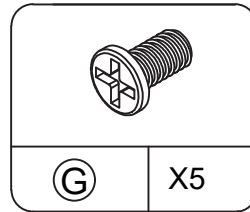
(E) X18

SCREW
F3.5*14



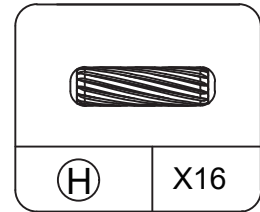
(F) X8

SCREW
F4*35



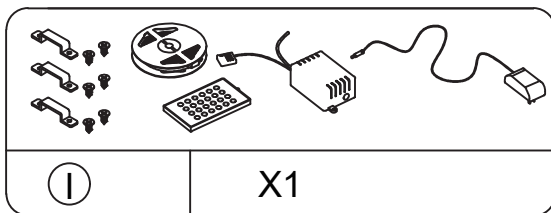
(G) X5

BOLT



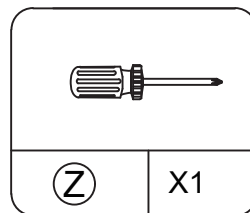
(H) X16

WOOD DOWEL
F8*30



(I) X1

LIGHT STRIP



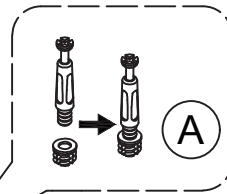
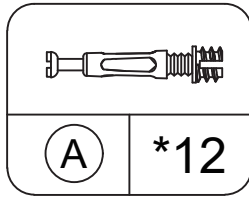
(Z) X1

SCREWDRIVER

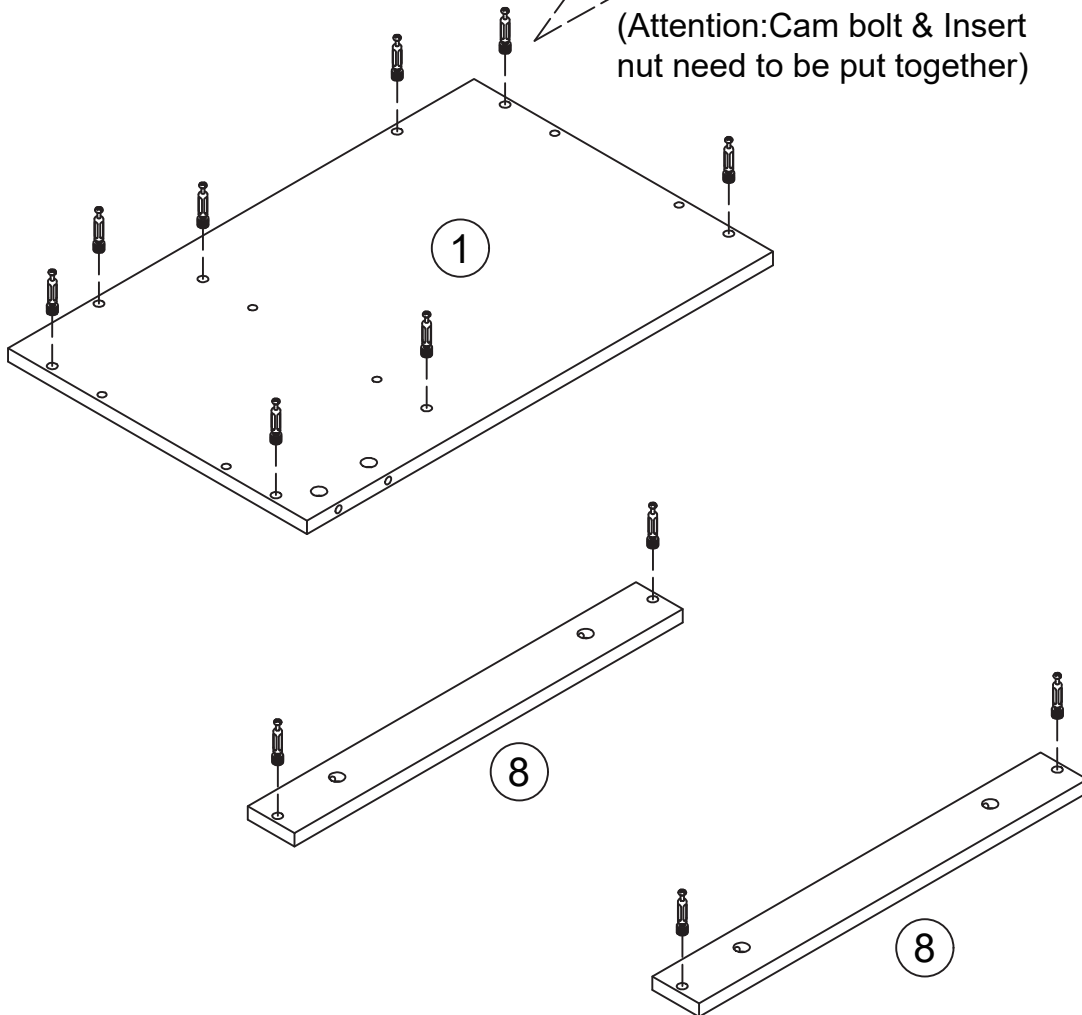
6

STEP 1

-Screw the cam bolt (A) into the panel (1) & (8).



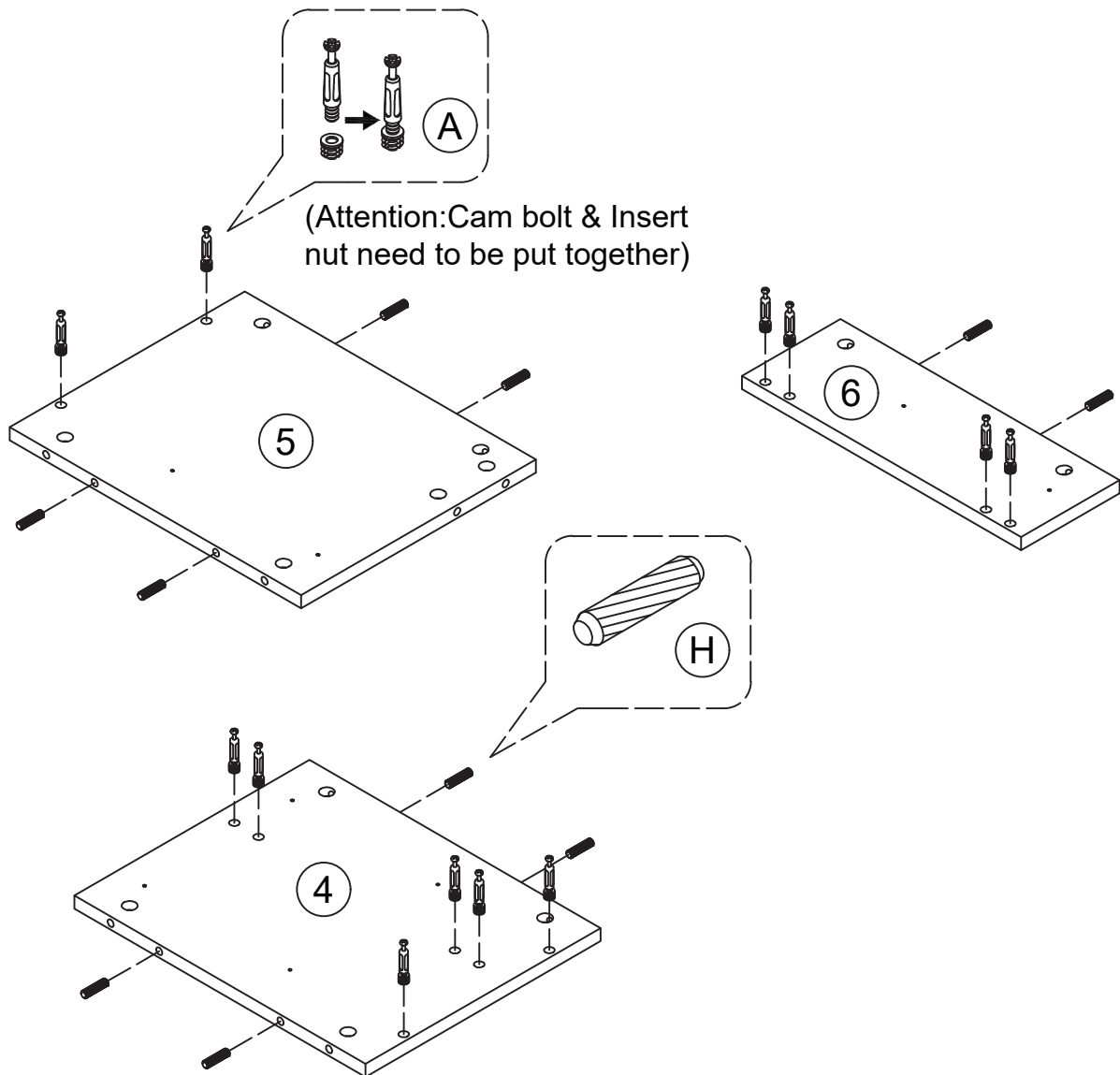
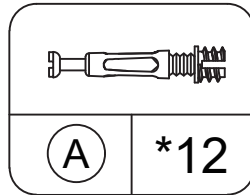
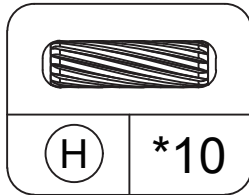
(Attention: Cam bolt & Insert nut need to be put together)



7

STEP 2

- Screw the cam bolt (A) into the panel (4) & (5) & (6).
- Insert wood dowels (H) into panel (4) & (5) & (6).



STEP 3

WARNING

How To SEPARATE BALL BEARING SLIDE.

- 1) Pull toward arrow to open the slide until its stops and then flip it over.



- 2) Push plastic lever down and pull apart.



OUTER TRACK



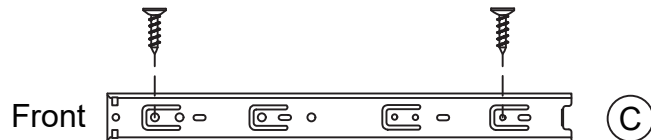
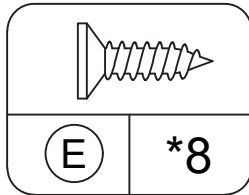
INNER TRACK



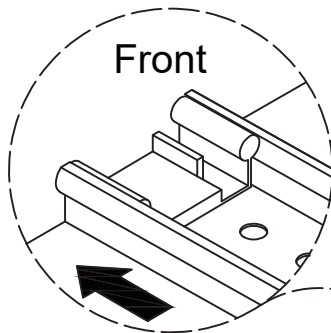
Align the outer track with the center of the inner track and push in.

STEP 4

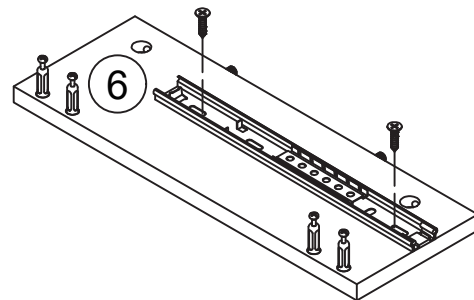
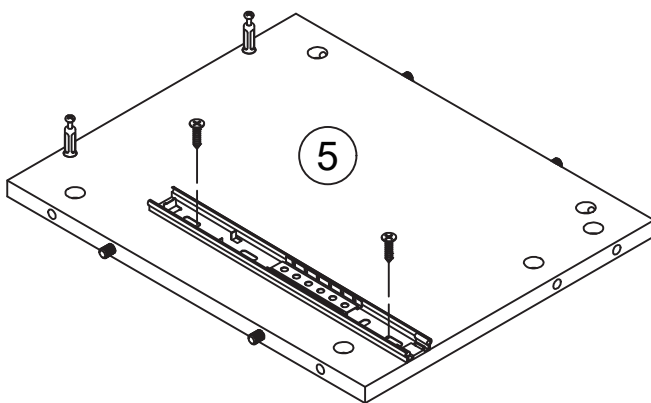
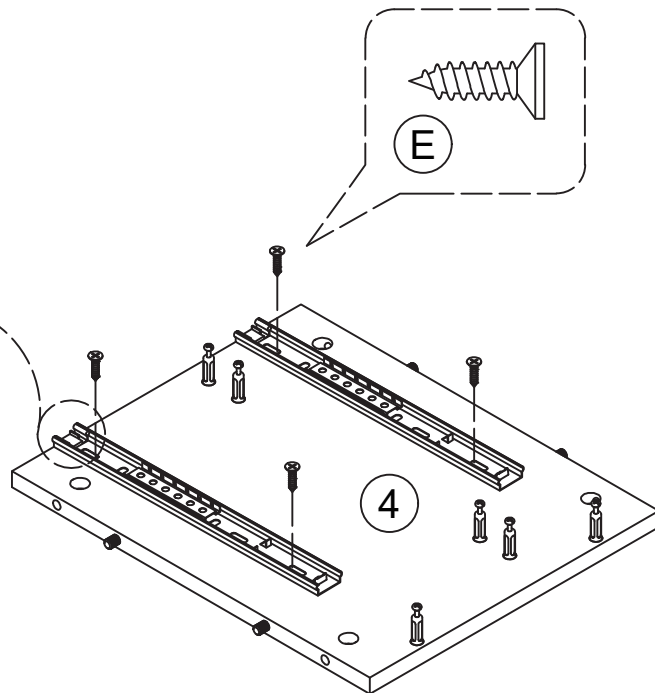
-Install drawer track (C) to panel (4) & (5) & (6) with screws(E).



Fasten the screws in the second hole in the front and the second hole in the rear of the drawer rail.

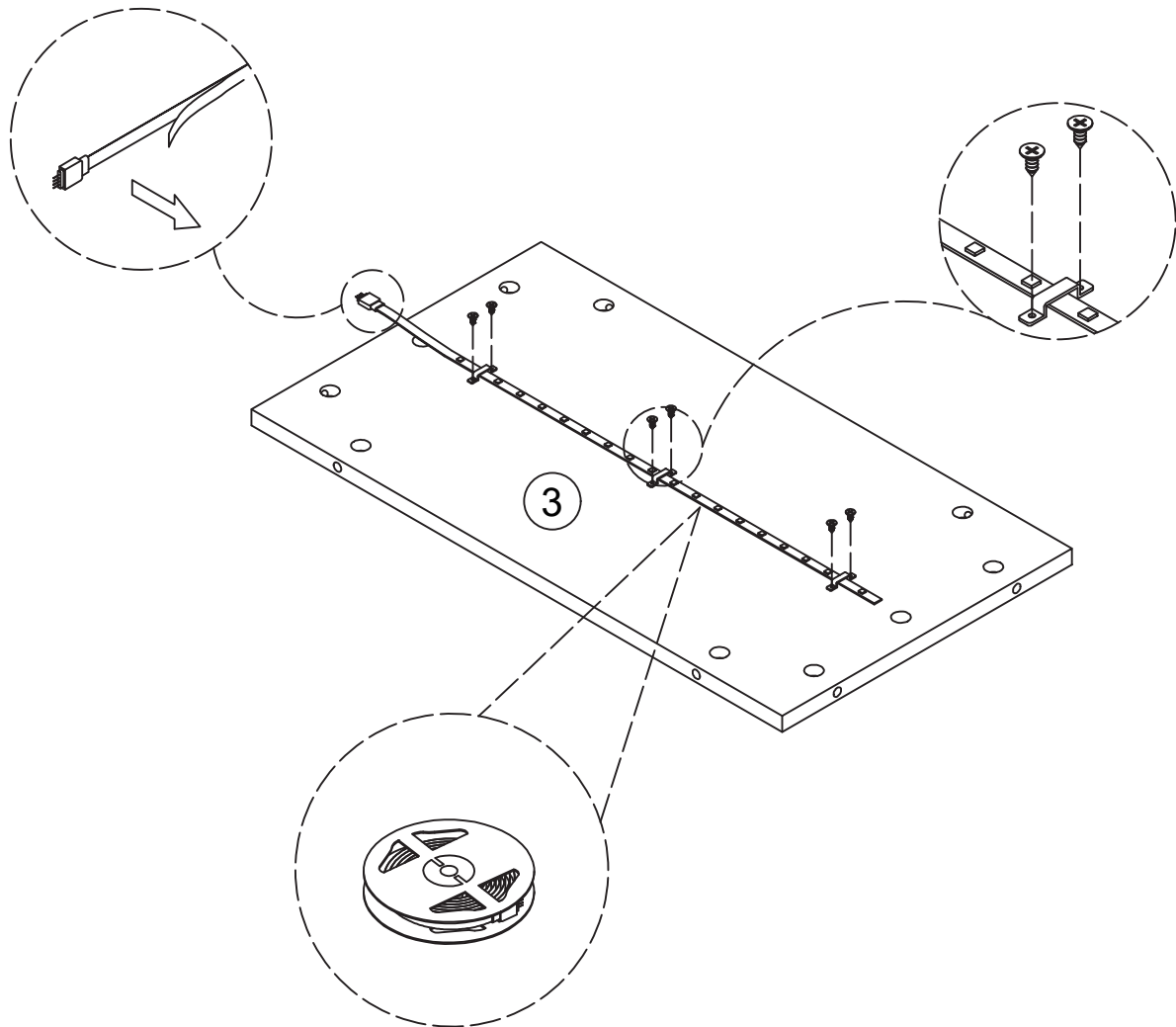
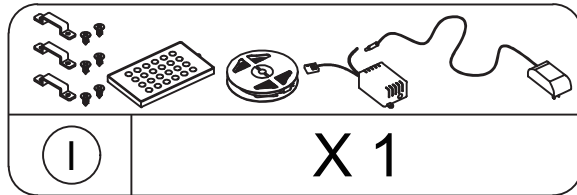


The direction of the arrow is that the front is fixed on the plate.



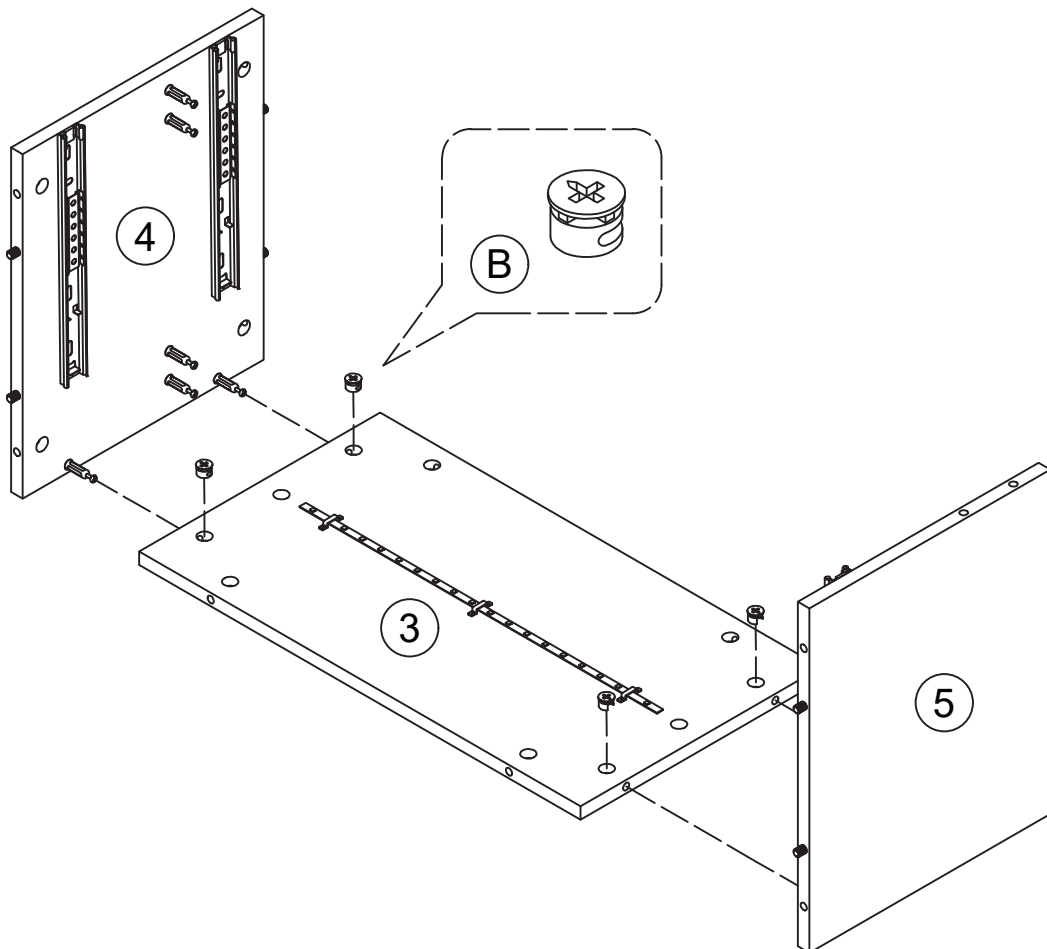
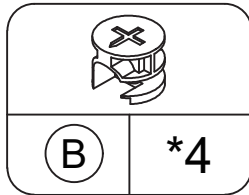
STEP 5

- Stick LED band to the side of the back panel.
- Fasten the LED band with buckles




STEP 6

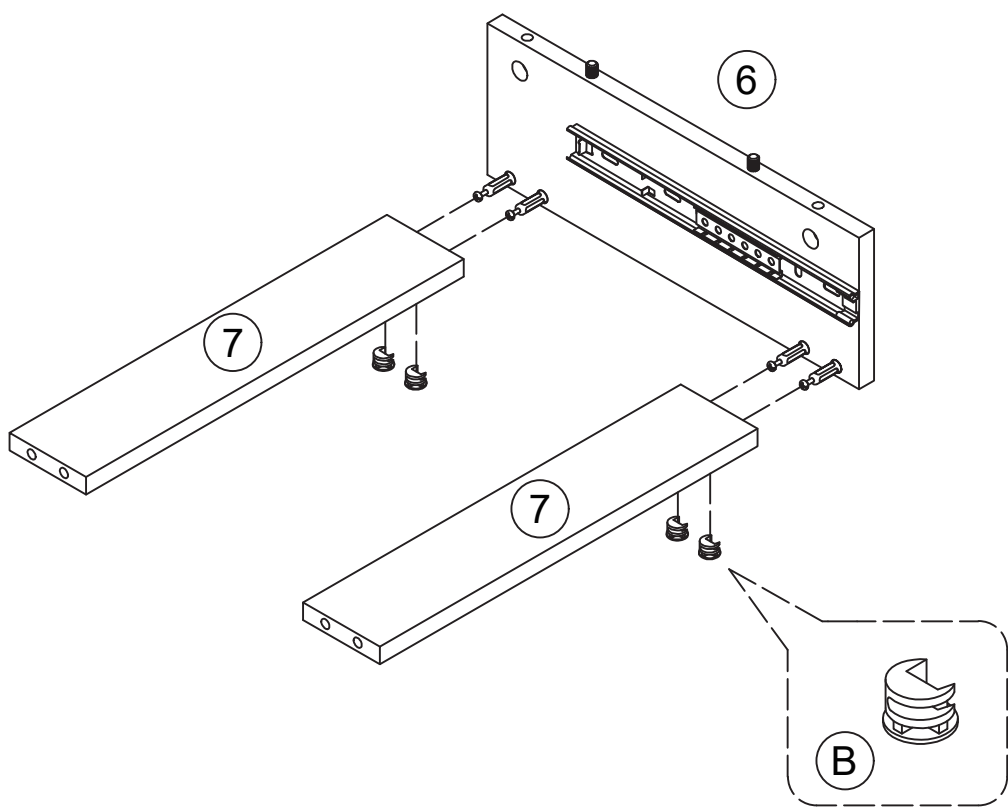
-Attach panel (4) & (5) to (3) and lock with cam (B).



STEP 7

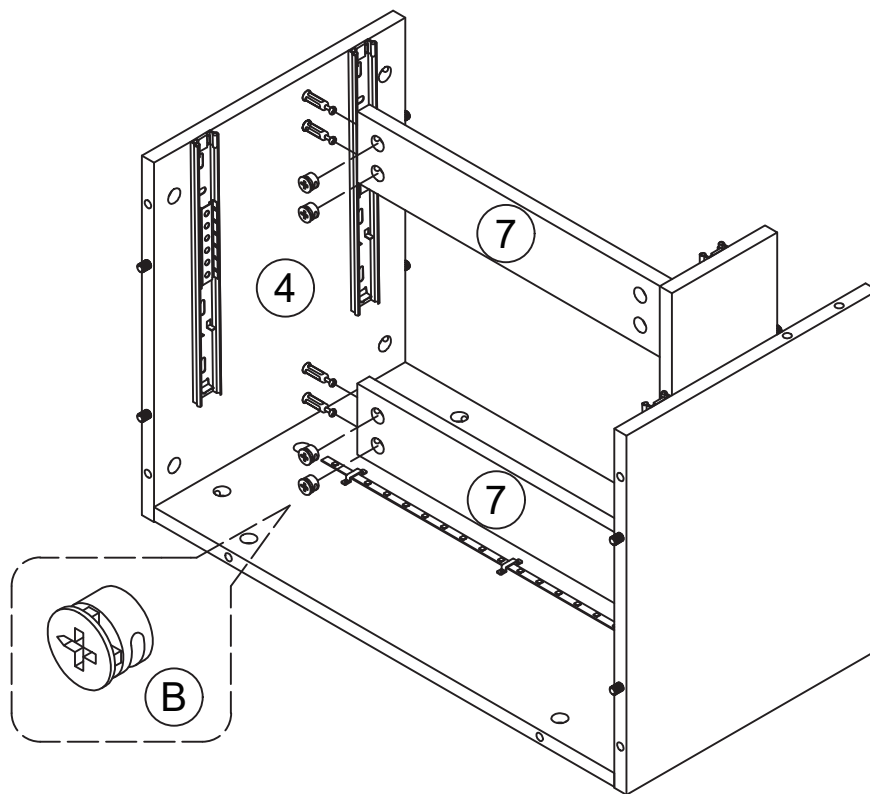
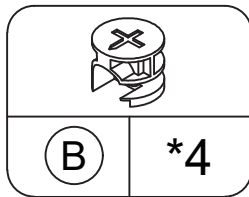
-Attach panel (6) to (7) and lock with cam (B).

	
(B)	*4



STEP 8

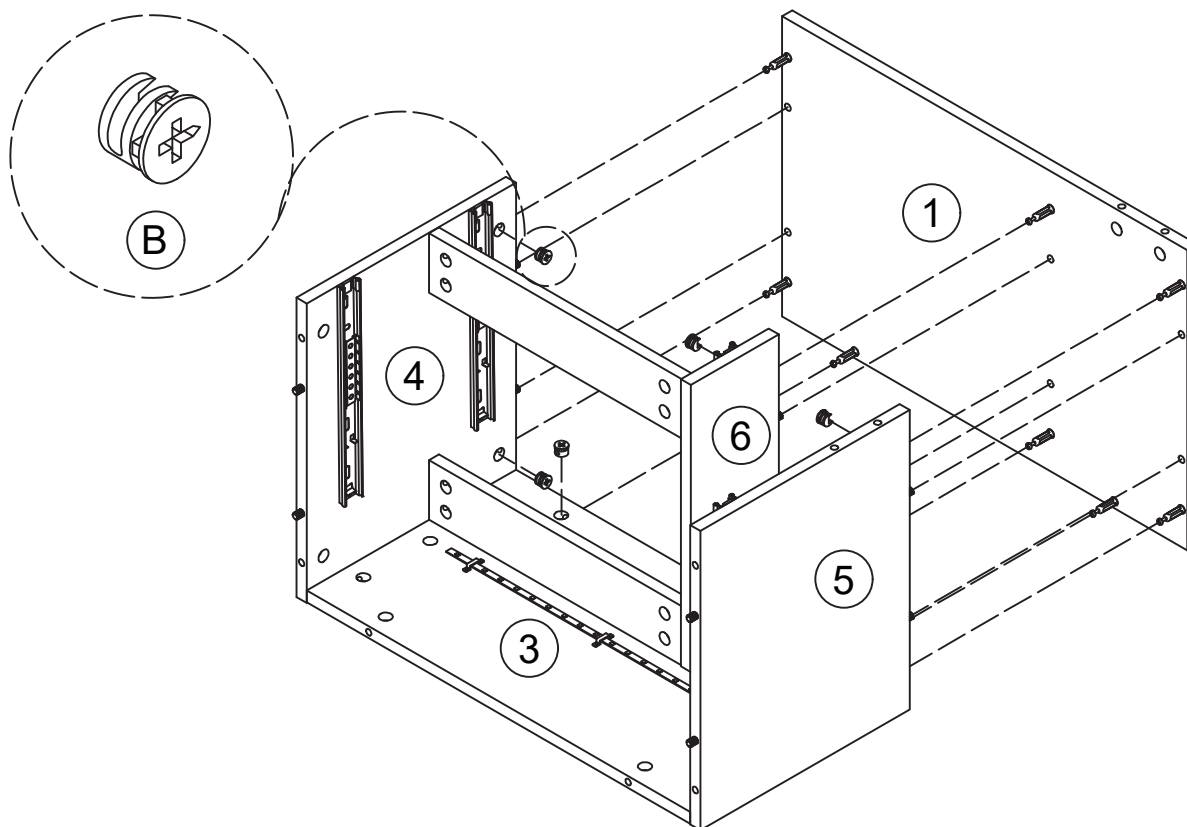
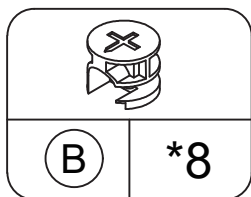
-Attach panel (7) to (4) and lock with cam (B).



14

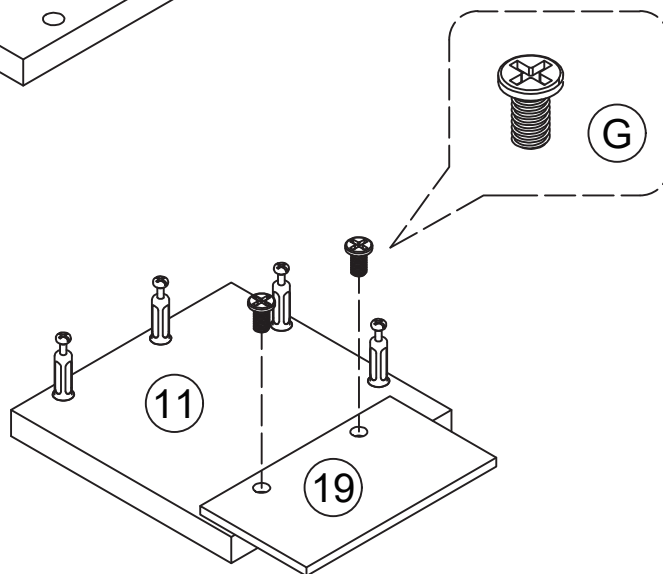
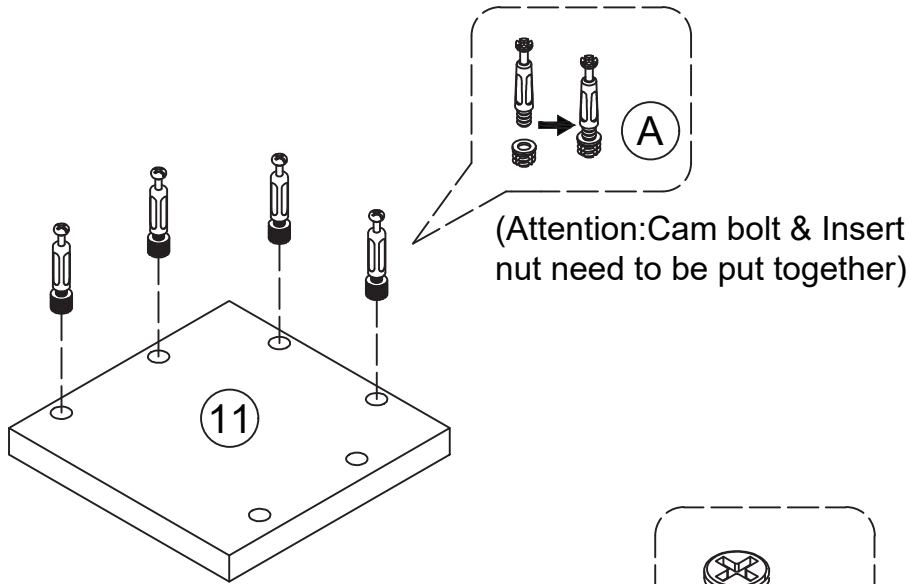
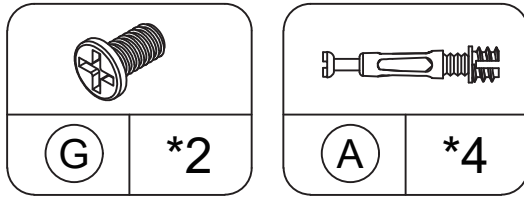
STEP 9

-Attach panel (1) to (3) & (4) & (5) & (6) and lock with cam (B).



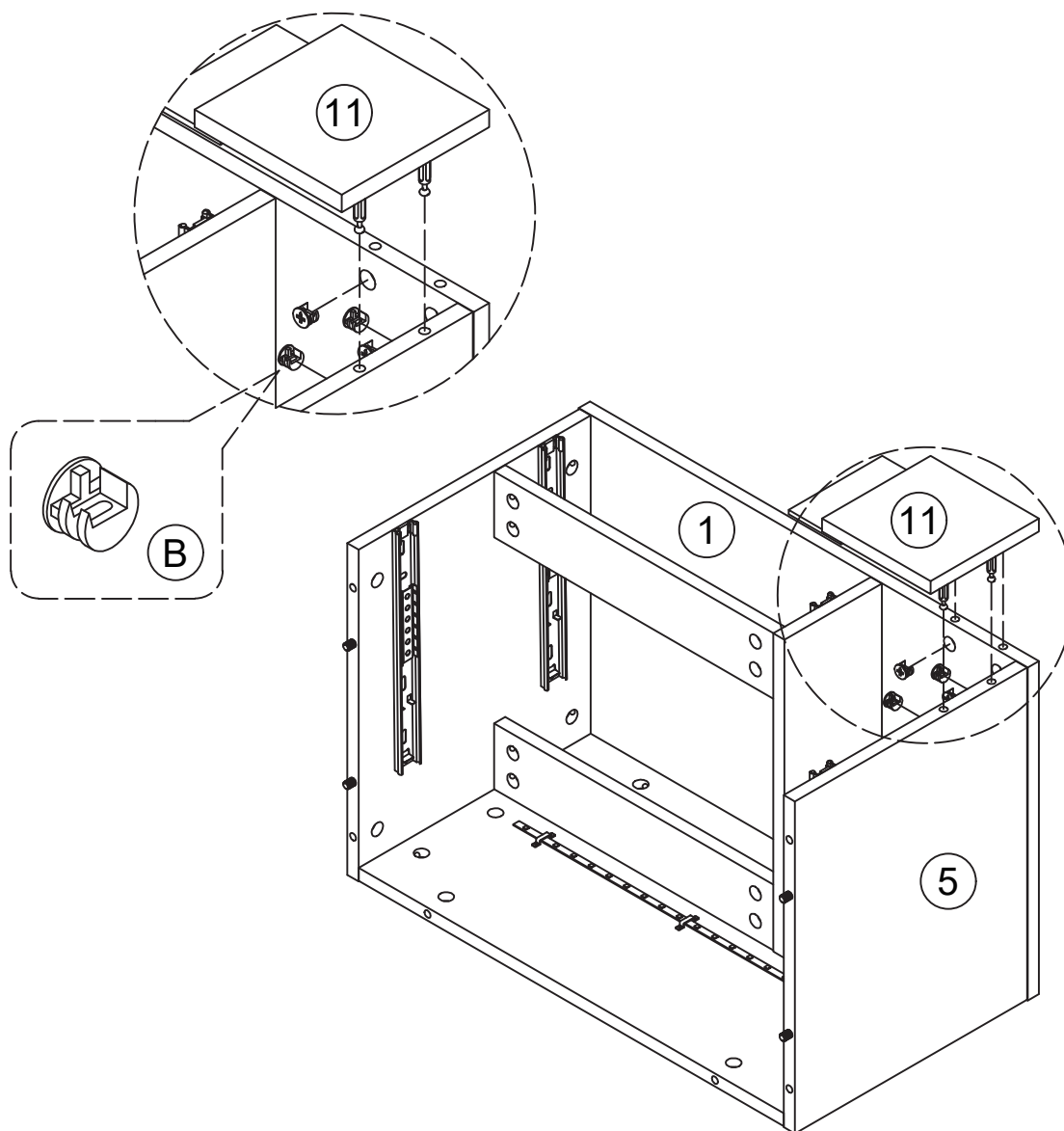
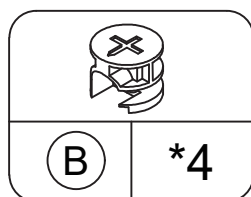
STEP 10

- Screw cam bolts (A) into panel (11).
- Attach panel (19) to (11) with screw (G).



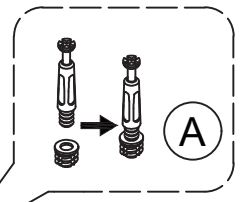
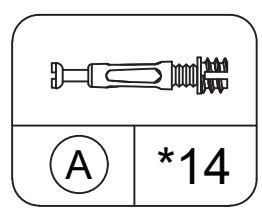
STEP 11

-Attach panel (11) to (1) & (5) and lock with cam (B) .

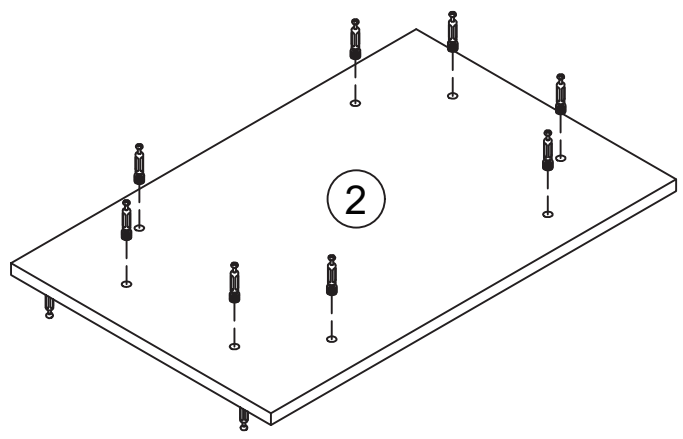
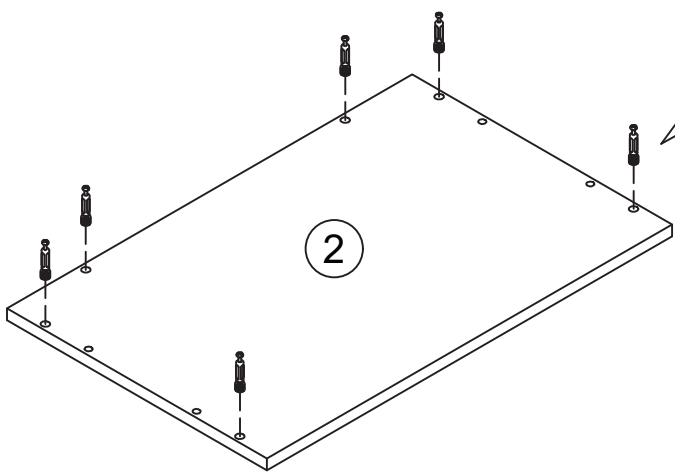


STEP 12

-Screw cam bolts (A) into panel (2).

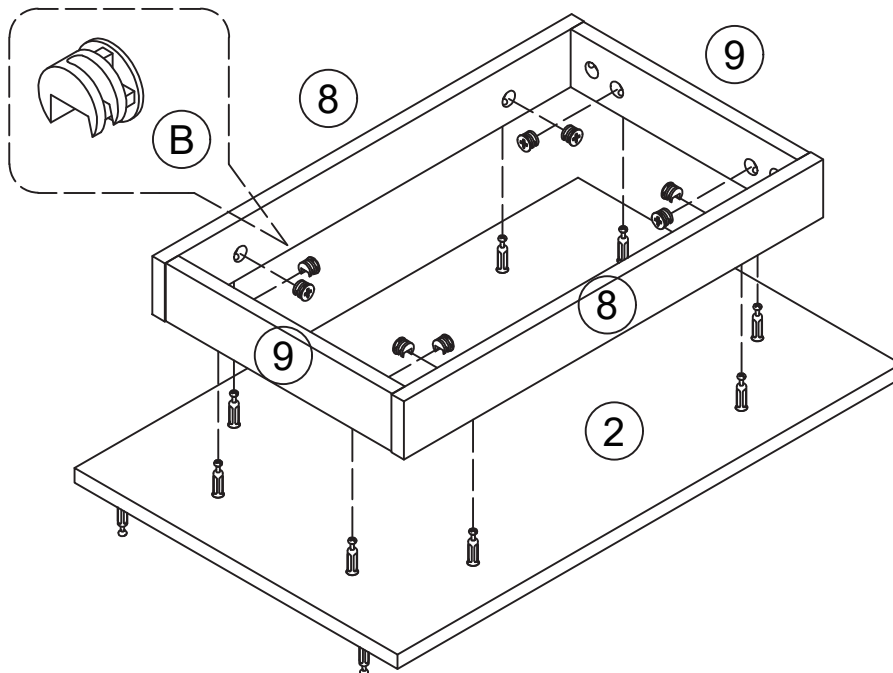
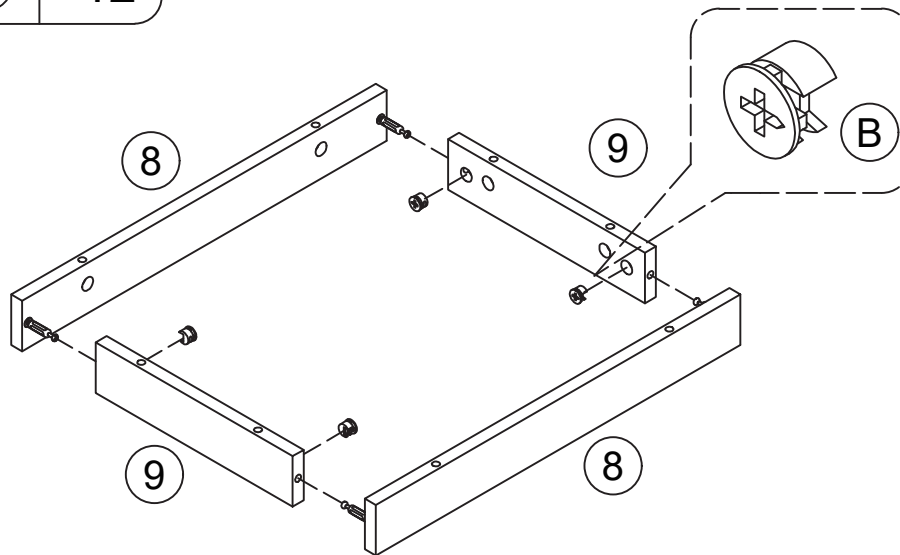
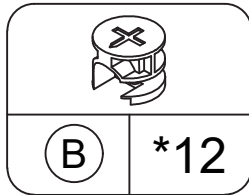


(Attention: Cam bolt & Insert nut need to be put together)



STEP 13

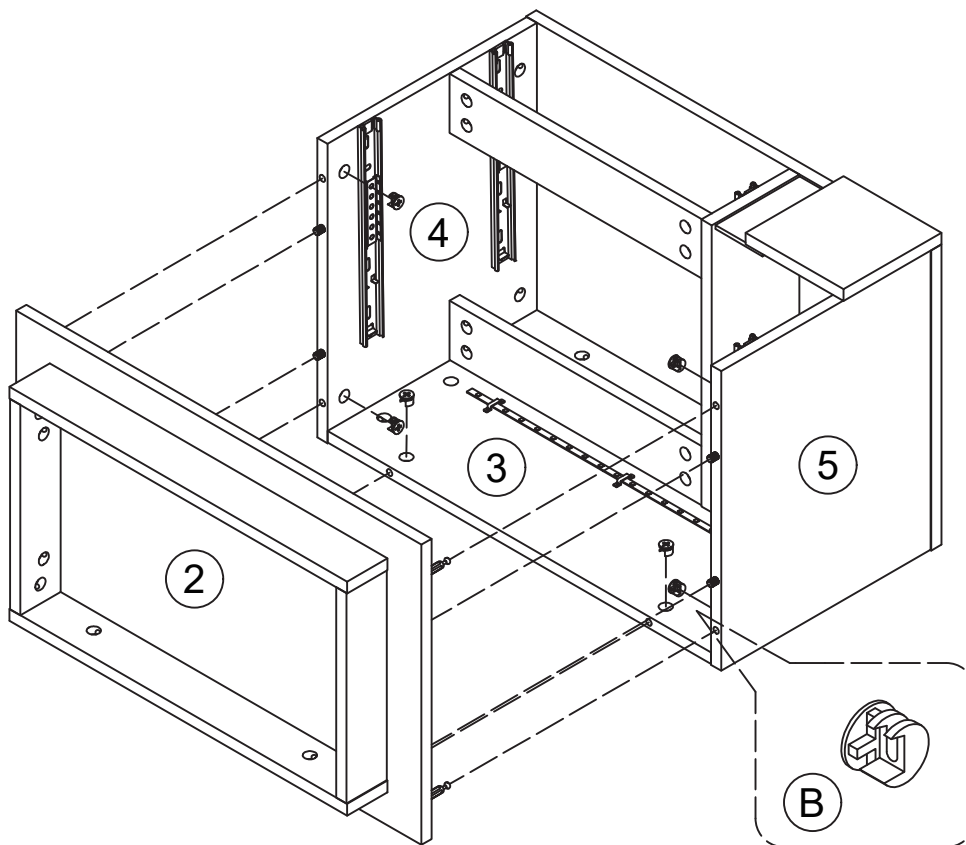
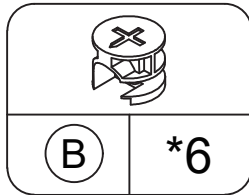
- Attach panel (8) to (9) and lock with cam (B) .
- Attach panel (8) & (9) to (2) and lock with cam (B) .



19

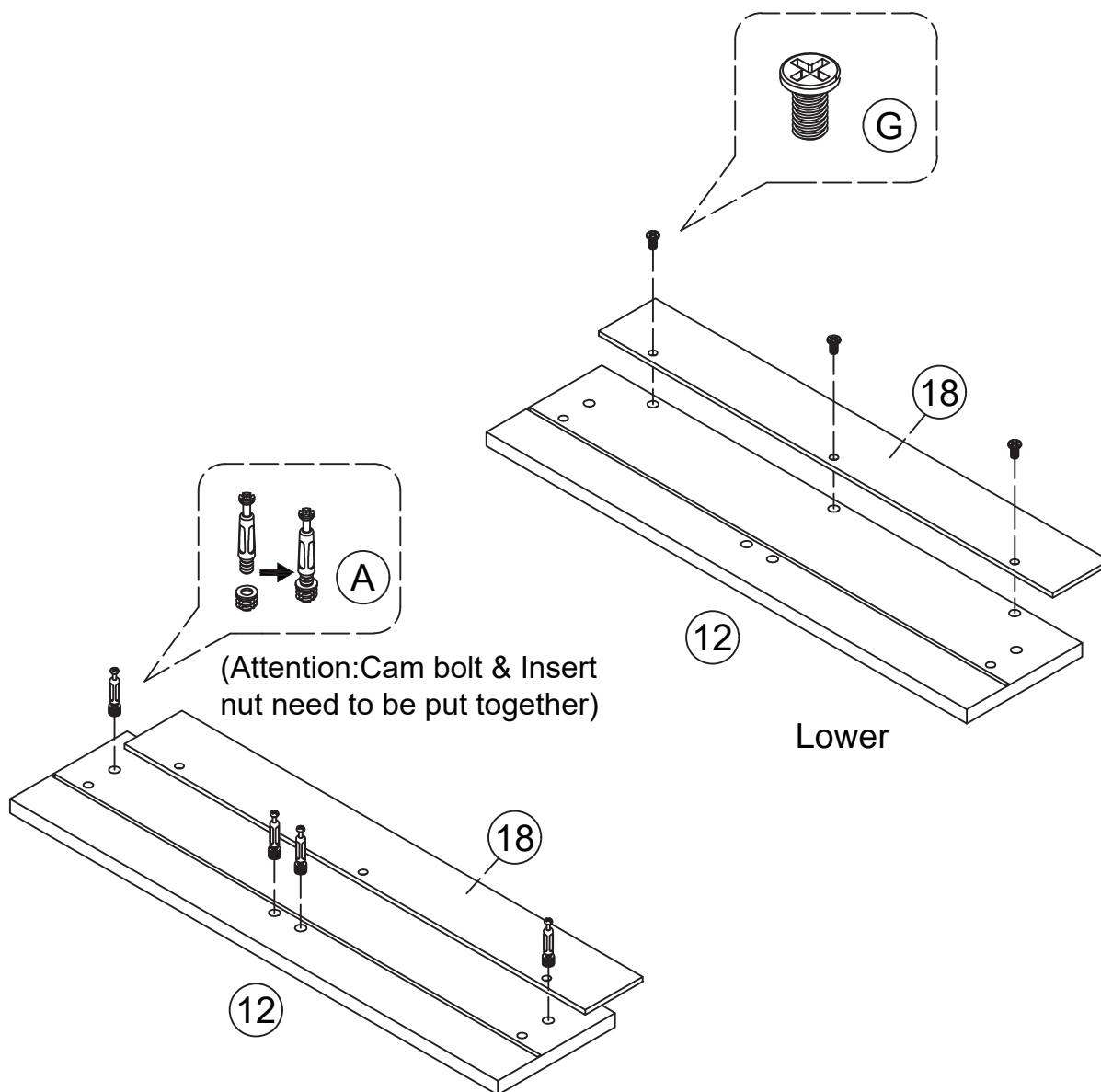
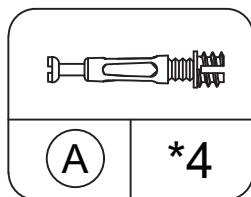
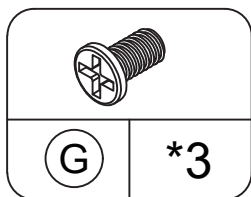
STEP 14

-Attach panel (2) to (3) & (4) & (5) with cam locks (B).



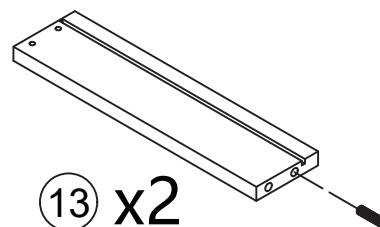
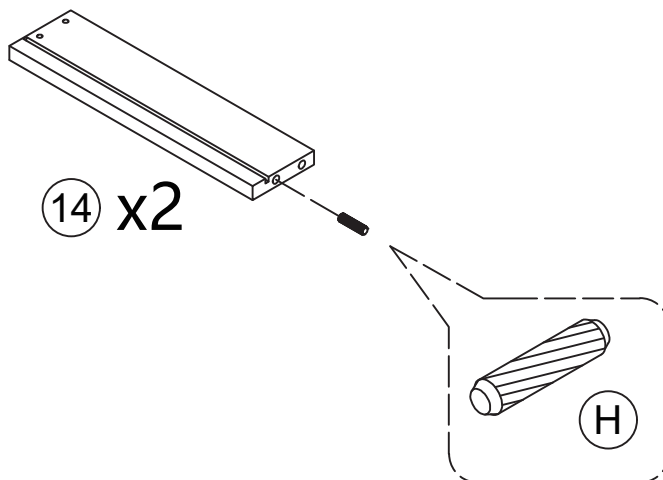
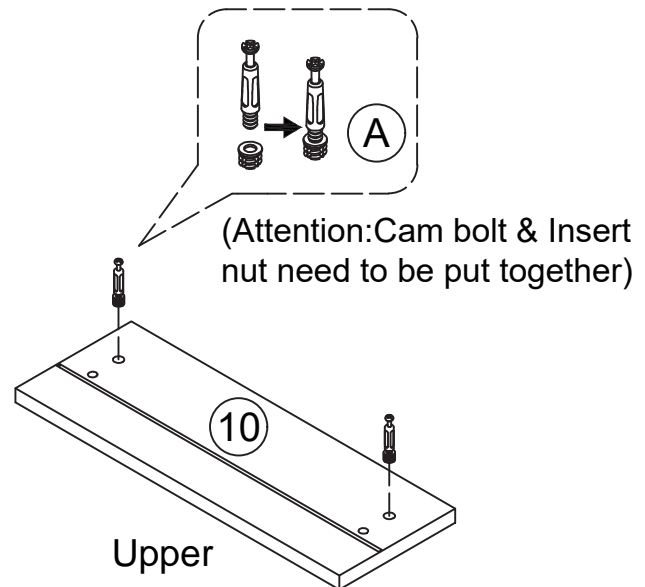
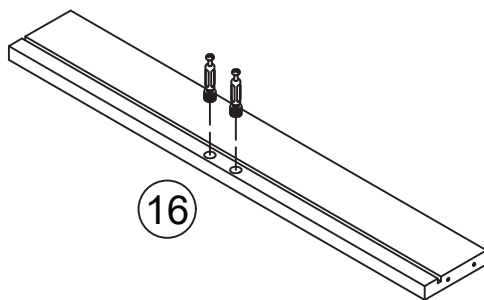
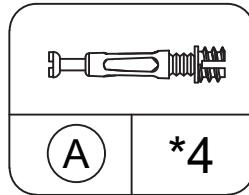
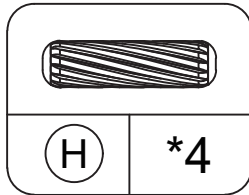
STEP 15

- Screw cam bolts (A) into panel (12).
- Attach panel (18) to (12) with screw (G).



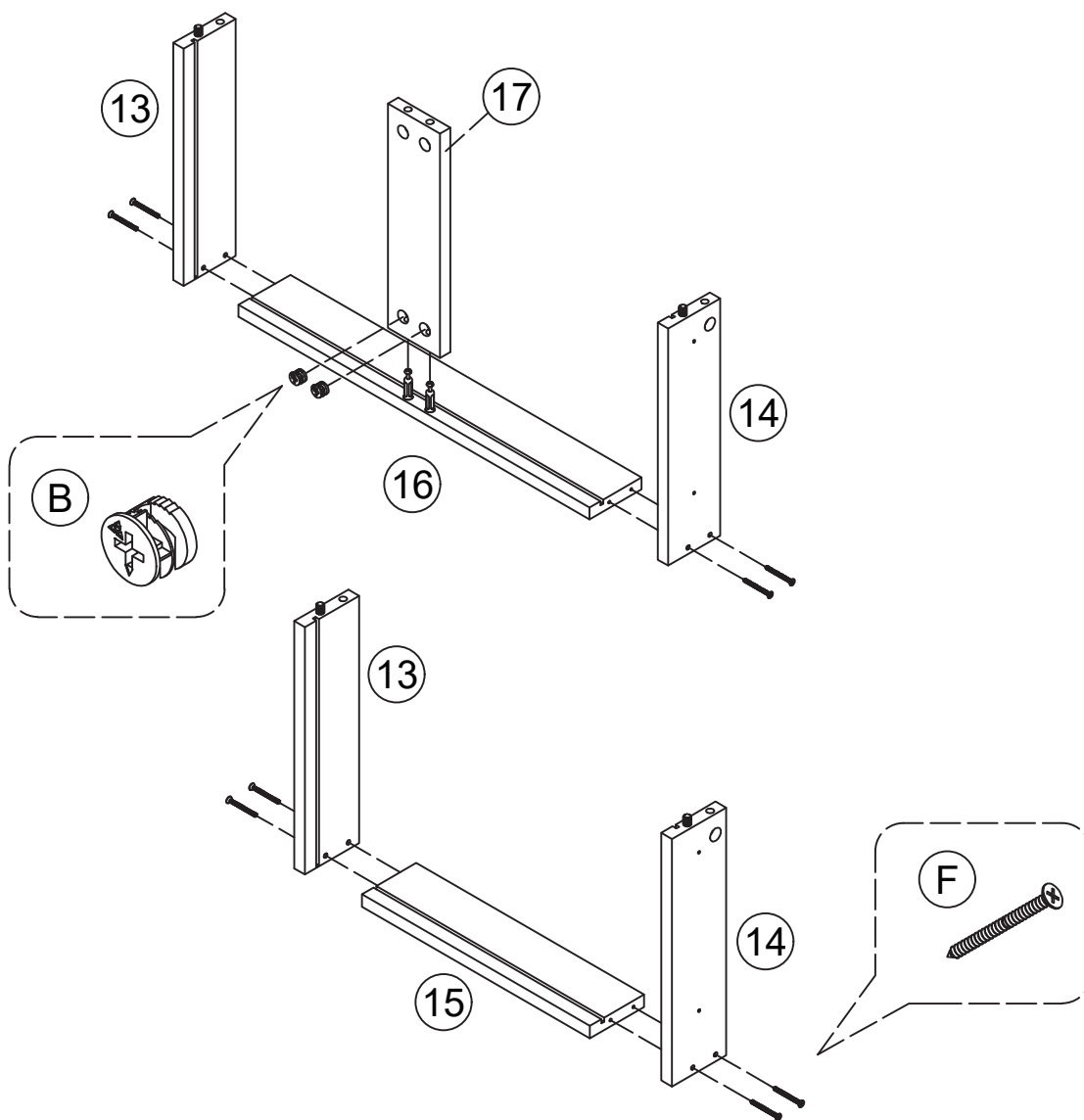
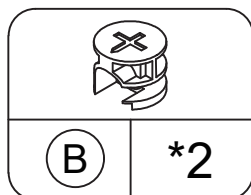
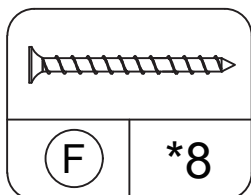
STEP 16

- Screw the cam bolt (A) into the panel (10) & (16).
- Insert wood dowels (H) into panel (13) & (14).



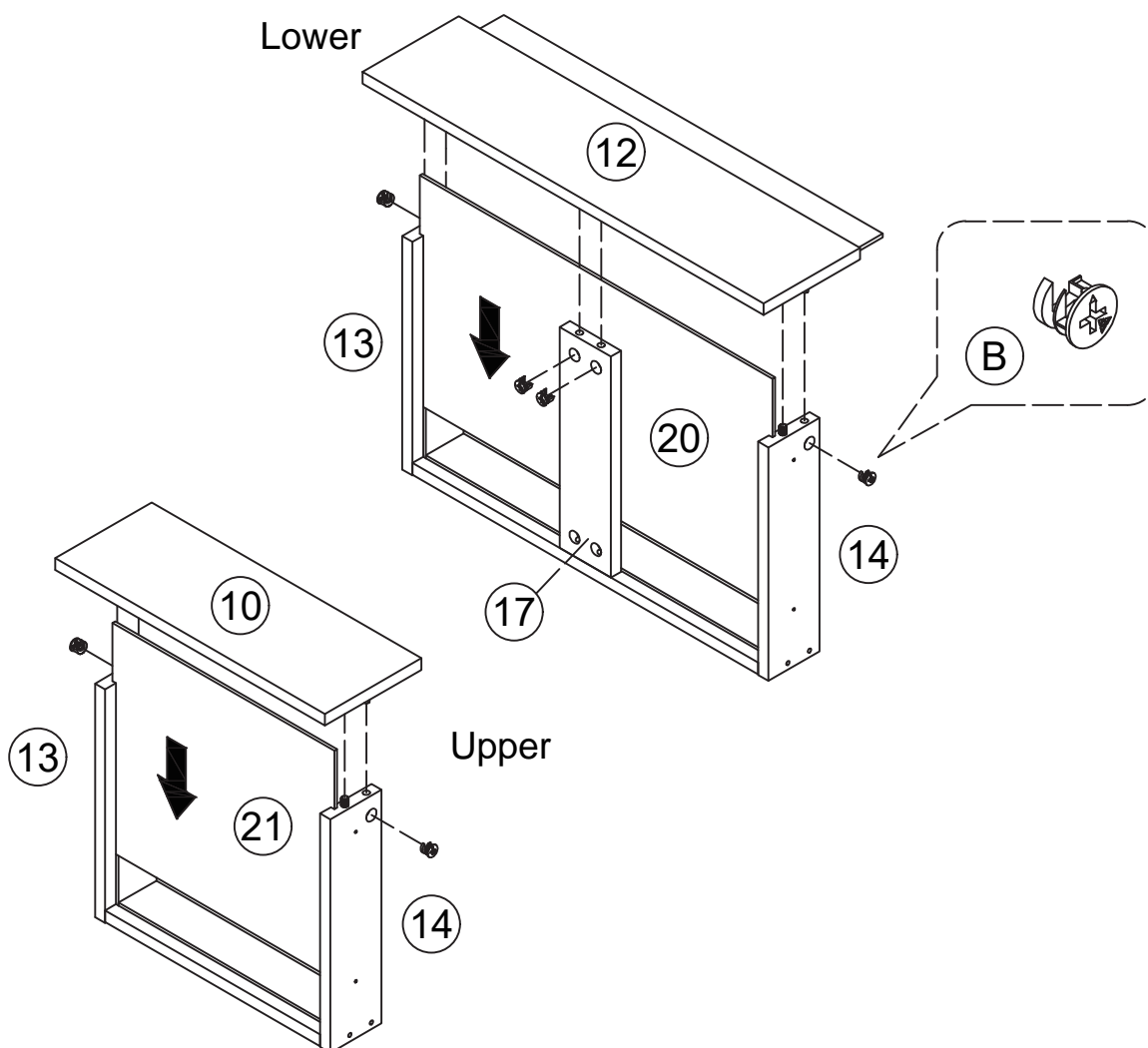
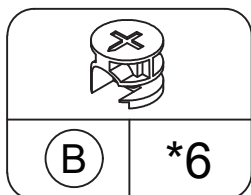
STEP 17

- Attach panel (17) to (16) with cam locks (B).
- Attach panel (13) & (14) to (15) & (16) with screw (F).



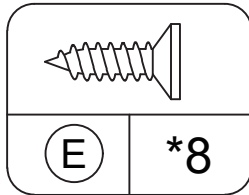
STEP 18

- Insert panel (20) & (21) into the grooves.
- Attach panel (10) & (12) to (13) & (14) & (17) with cam locks (B).

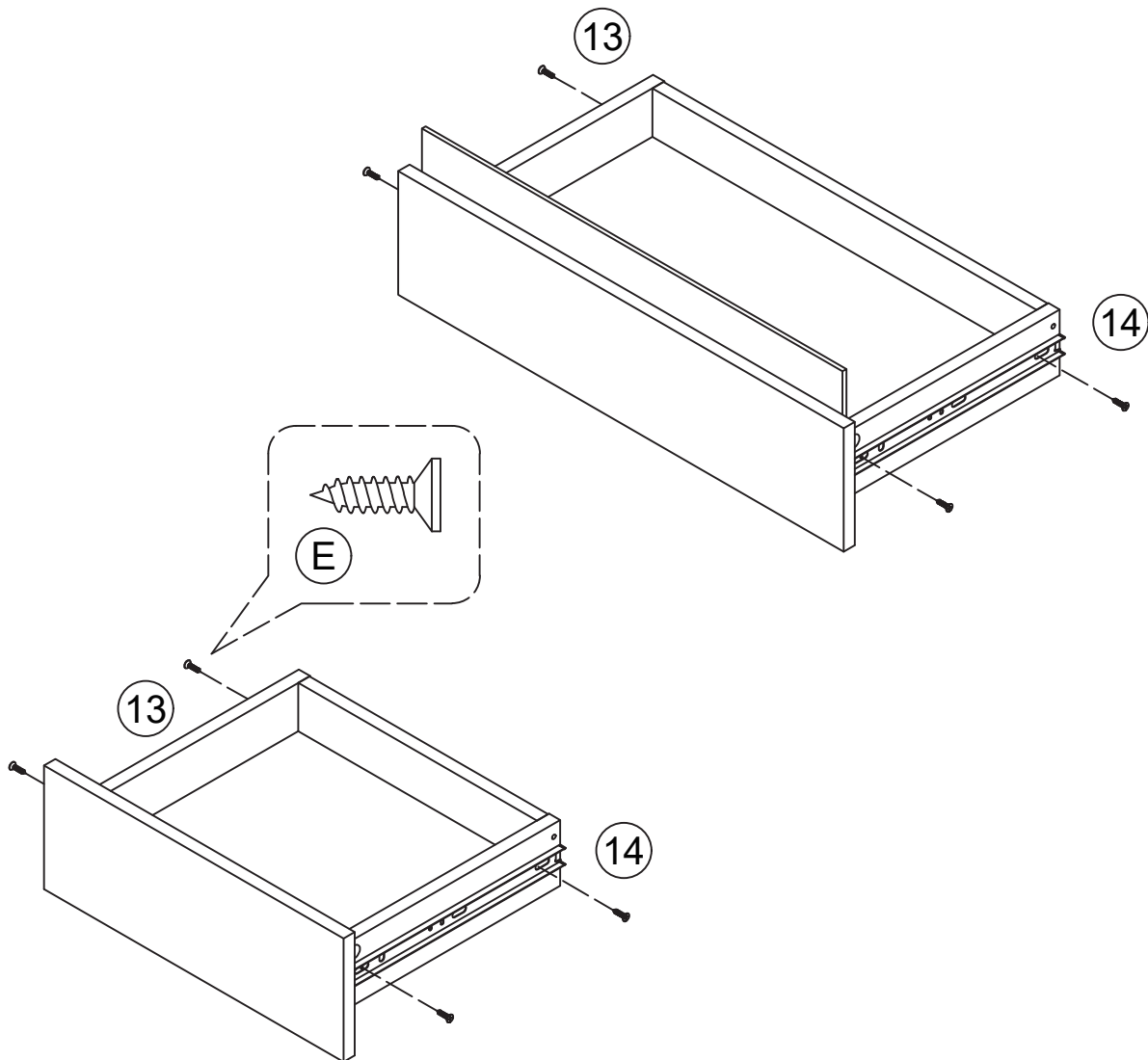


STEP 19

-Install drawer track (D) to panel (13) & (14) with screws(E).

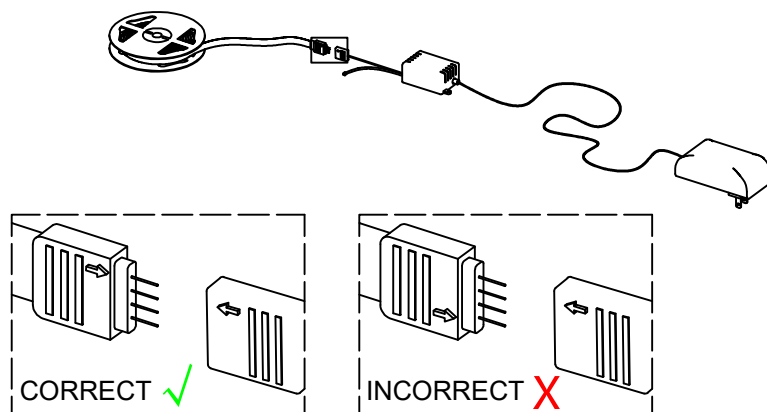


Fasten the screws in the second hole in the front and the second hole in the rear of the drawer rail.

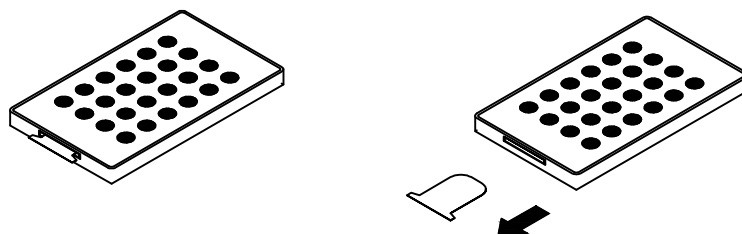


STEP 20

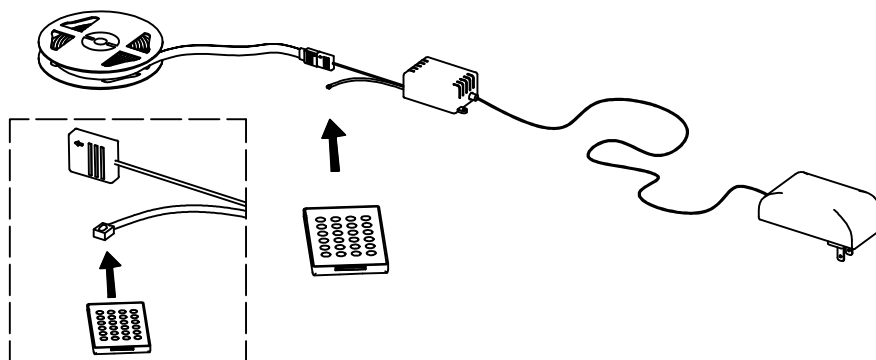
- Connected power adapter to the RGB control box as below.
- Specifications of battery:cr2025 3v
- LED lamp with effective remote control distance of 5 meters



1. Connect the light strip plug to the adapter socket correctly



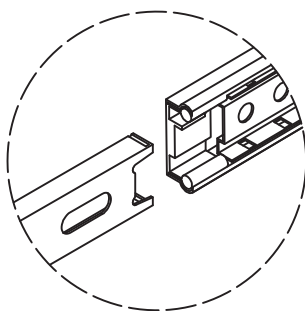
2. Take out the remote control gasket



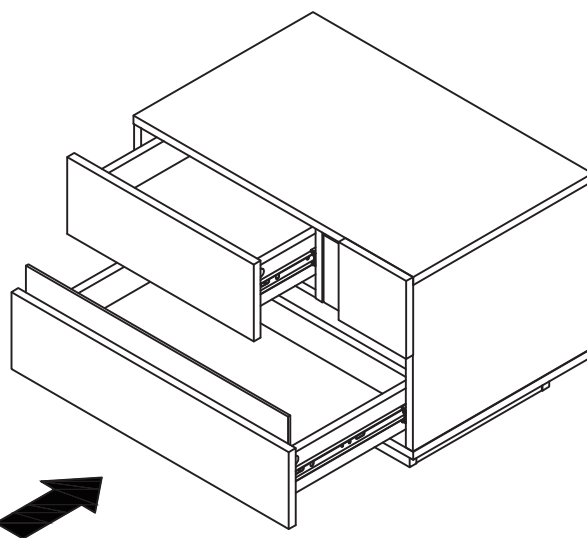
3. Align remote controller to the RGB Control box to adjust the color mode

STEP 21

- Insert the drawers.



Align the outer track with the center of the inner track and push in.



STEP 22

-Installation complete.

