

STORAGE BED

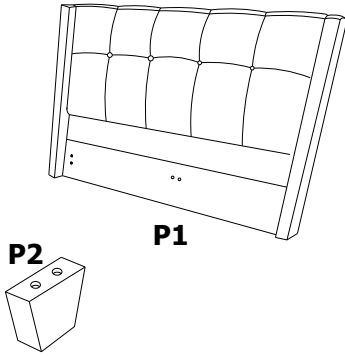
FULL/QUEEN SIZE

ASSEMBLY INSTRUCTIONS

PARTS AND FITTING PACKAGING DETAIL

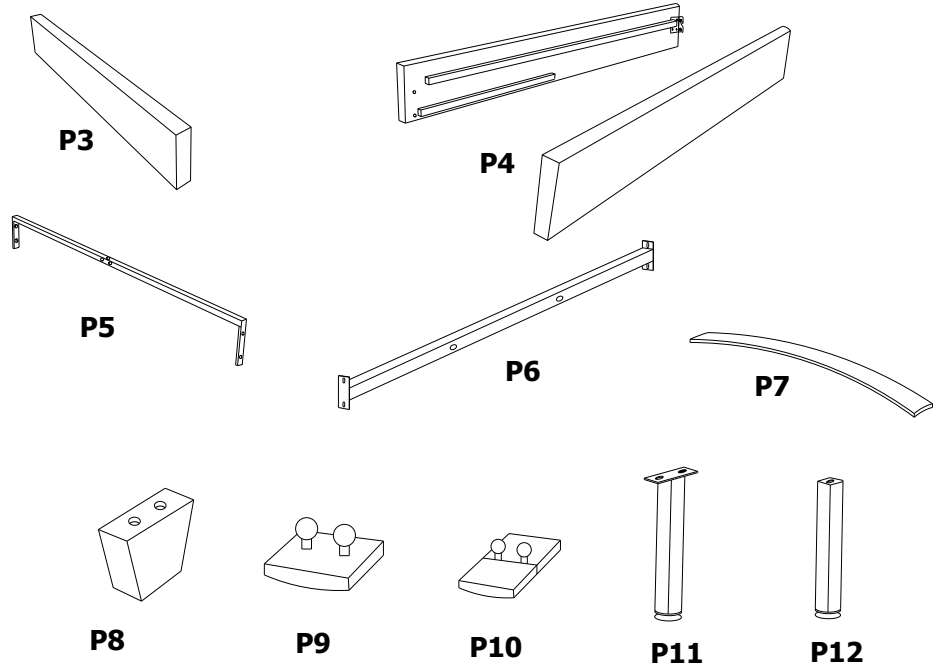
BOX #1

- P1. HEADBOARD 1 PC
- P2. WOODEN LEG 2 PCS



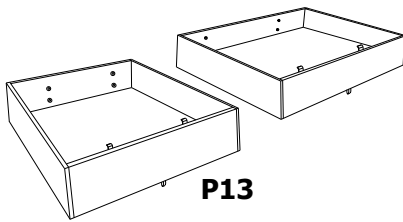
BOX #2

- P3. FOOTBOARD 1 PC
- P4. SIDE RAIL 2 PCS
- P5. METAL SUPPORT BRACE 1 PC
- P6. CENTER SLAT SUPPORT 1 PC
- P7. SLAT 26 PCS
- P8. WOODEN LEG 2 PCS
- P9. SIDE RAIL SLAT CLIP 26 PCS
- P10. CENTER SUPPORT SLAT CLIP 13 PCS
- P11. CENTER SUPPORT LEG 2 PCS
- P12. METAL SUPPORT LEG 1 PC

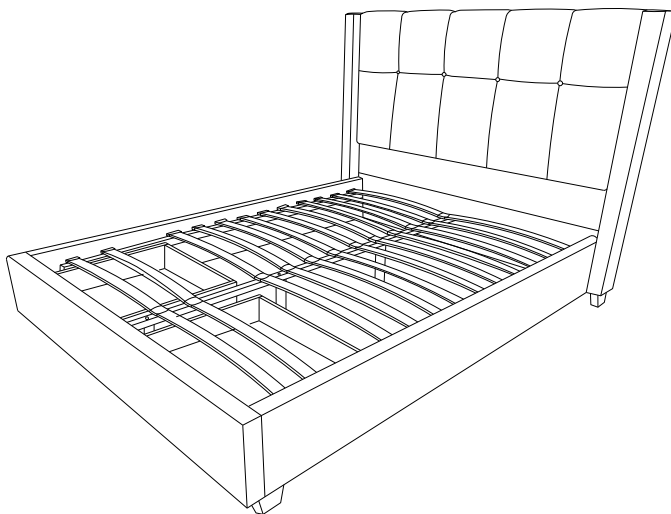


BOX #3

- P13. DRAWER BOX 2 PCS



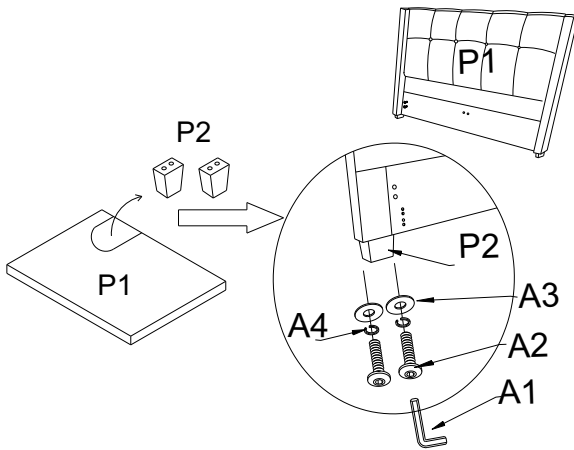
STORAGE BED ASSEMBLED



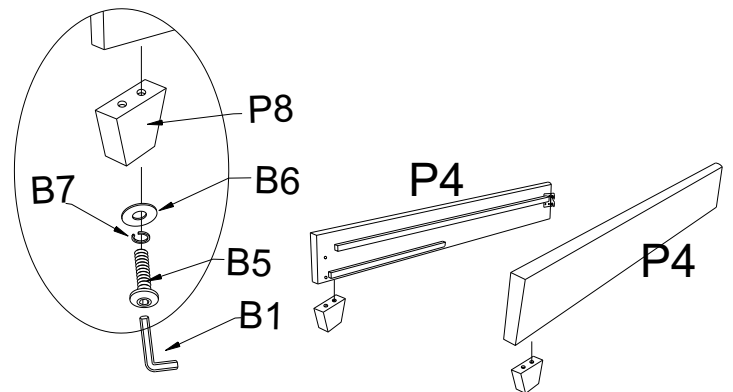
HARDWARE* PACKED IN BOX #1											
A1	ALLEN KEY 5/16"	1 PC	A2	BOLT 5/16"*3.25"	4 PCS	A3	FLAT WASHER 4 PCS	A4	LOCK WASHER 4 PCS		
A5	ALLEN KEY 1/4"	1 PC	A6	BOLT 1/4"*1"	8 PCS	A7	FLAT WASHER 8 PCS	A8	LOCK WASHER 8 PCS		
HARDWARE* PACKED IN BOX #2											
B1	ALLEN KEY 5/16"	1 PC	B2	SPANNER 5/16"	1 PC	B3	BOLT 5/16"*1"	6 PCS	B4	BOLT 5/16"*2.5"	7 PCS
B5	BOLT 5/16"*3.25"	2 PCS	B6	FLAT WASHER	21 PCS	B7	LOCK WASHER	21 PCS	B8	NUT 5/16"	6 PCS
HARDWARE* PACKED IN BOX #3											
C1	ALLEN KEY 1/4"	1 PC	C2	BOLT 1/4"*1.25"	8 PCS	C3	FLAT WASHER	8 PCS	C4	LOCK WASHER	8 PCS
C5	BOLT 5/16"*2.5"	4 PCS	C6	FLAT WASHER	4 PCS	C7	LOCK WASHER	4 PCS			

STEP 1:

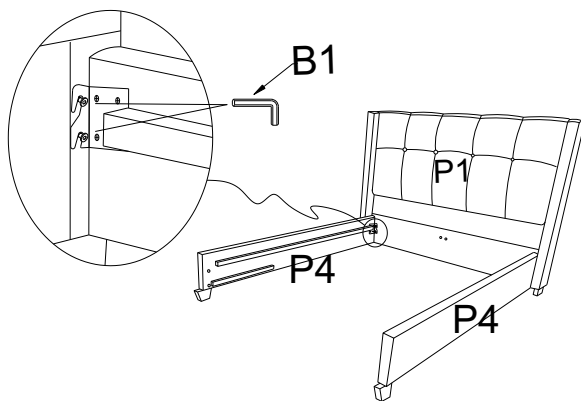
REMOVE WOODEN LEGS (P2) FROM BACK OF HEADBOARD. ATTACH TO BOTTOM OF HEADBOARD (P1) FOLLOWING ILLUSTRATION.

**STEP 2:**

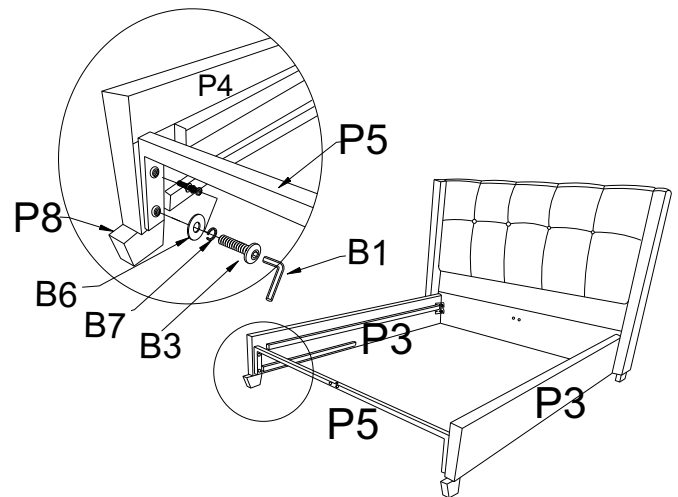
ATTACH WOODEN LEGS (P8) TO THE BOTTOM OF THE SIDE RAILS (P4) FOLLOWING ILLUSTRATION.

**STEP 3 :**

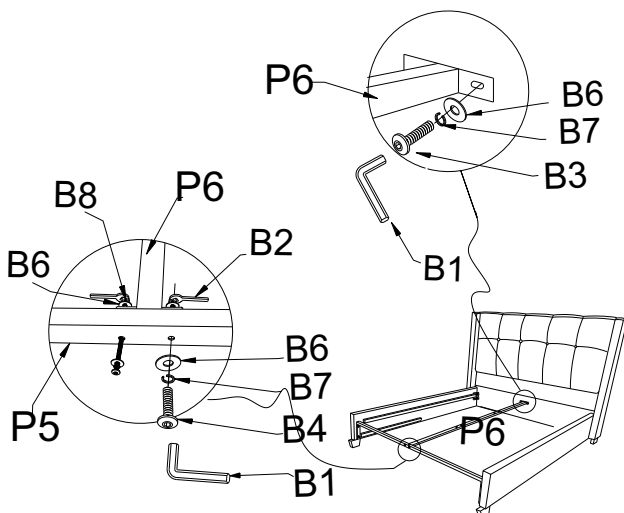
LOOSEN THE PREATTACHED BOLTS ON THE HEADBOARD AND CONNECT THE SIDE RAILS. TIGHTEN THE BOLTS WITH ALLEN KEY (B1).

**STEP 4 :**

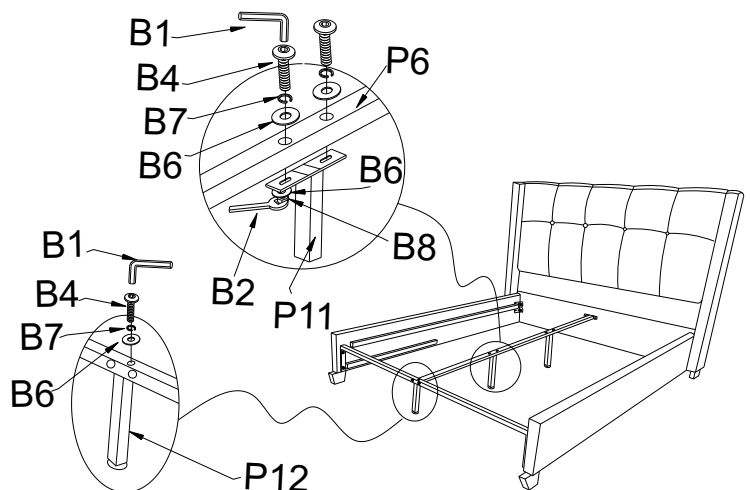
ATTACH METAL SUPPORT BRACE (P5) TO THE SIDE RAILS FOLLOWING ILLUSTRATION. TIGHTEN WITH ALLEN KEY.

**STEP 5 :**

CONNECT CENTER SLAT SUPPORTS (P6) TO HEADBOARD AND METAL SUPPORT BRACE FOLLOWING ILLUSTRATION.

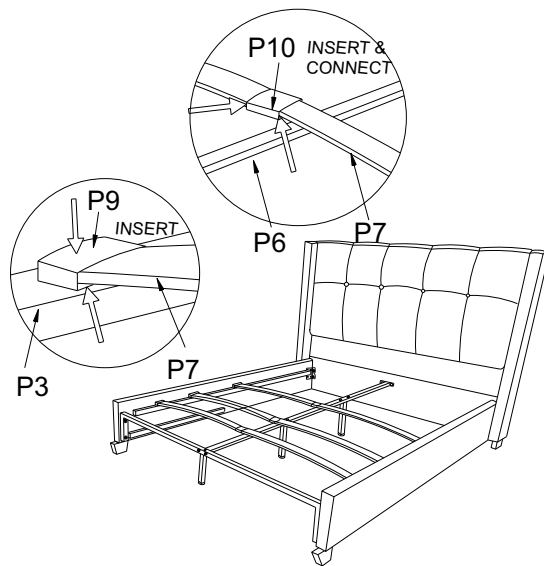
**STEP 6 :**

FOLLOWING ILLUSTRATION. ATTACH CENTER SUPPORT LEGS (P11) TO CENTER SLAT SUPPORT. ATTACH METAL SUPPORT LEG (P12) TO METAL SUPPORT BRACE.

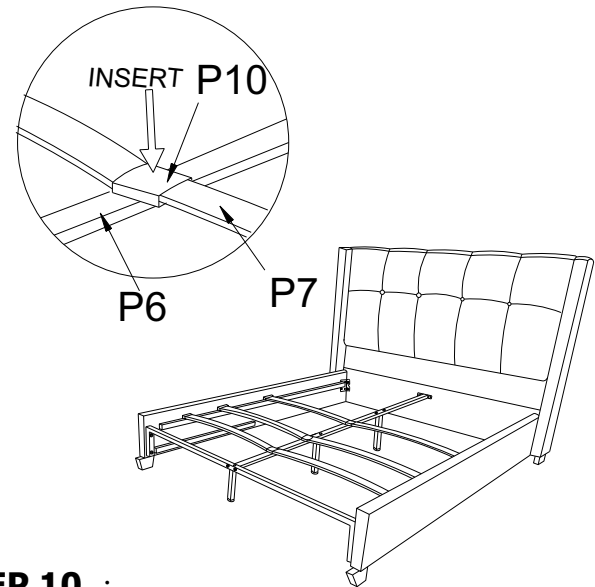


STEP 7 :

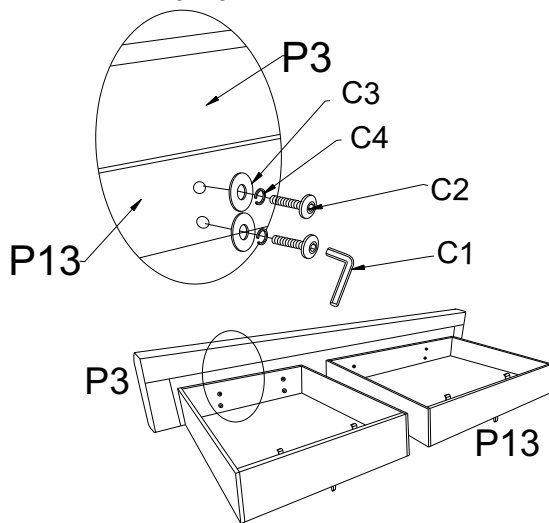
ATTACH SIDE RAIL SLAT CLIPS (P9) TO SIDE RAIL. INSERT SLATS (P7) INTO SIDE RAIL CLIPS THEN CONNECT THE SLAT SECTIONS WITH CENTER SUPPORT SLAT CLIPS (P10).

**STEP 8 :**

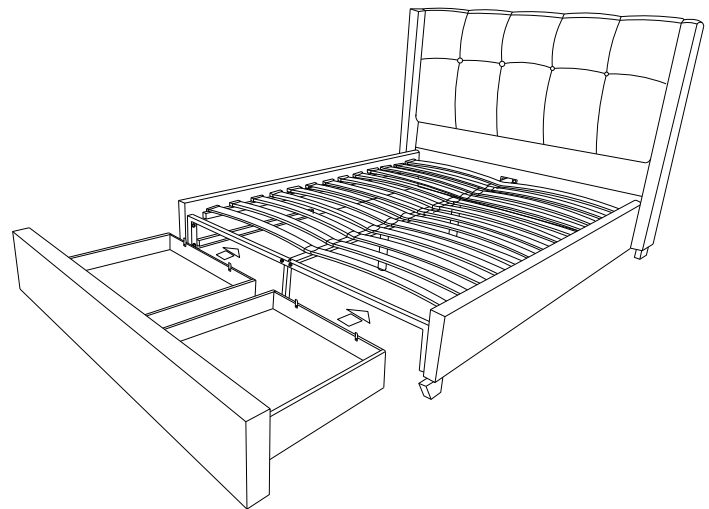
ATTACH CENTER SUPPORT CLIPS, WITH SLATS INSERTED, INTO CENTER SLAT SUPPORTS.

**STEP 9 :**

ATTACH DRAWER BOXES (P13) TO FOOTBOARD (P3) FOLLOWING THE ILLUSTRATION. TIGHTEN WITH ALLEN KEY (C1).

**STEP 10 :**

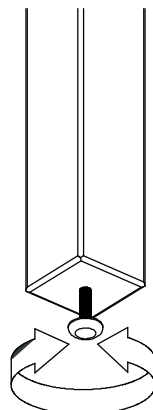
INSERT ASSEMBLED STORAGE DRAWER INTO FOOT OF BED.

**INSTRUCTIONS FOR ADJUSTING LEVELERS :**

POSITION THE BED IN YOUR ROOM. LOCATE LEVELERS UNDER EACH SUPPORT LEG (P11/P12).

TURN COUNTER-CLOCKWISE TO EXTEND, CLOCKWISE TO CONTRACT.

ADJUST LEVELERS UNTIL EACH LEG SUPPORT IS APPLYING EQUAL UPWARD PRESSURE ON THE CENTER SLAT.

**MAINTENANCE INSTRUCTIONS :**

- REMOVE BOX SPRING AND MATTRESS BEFORE MOVING YOUR BED.
- LIFT YOUR BED WHEN MOVING IT. DRAGGING CAN DAMAGE CENTER SUPPORT.
- READJUST LEVELERS AFTER MOVING YOUR BED.