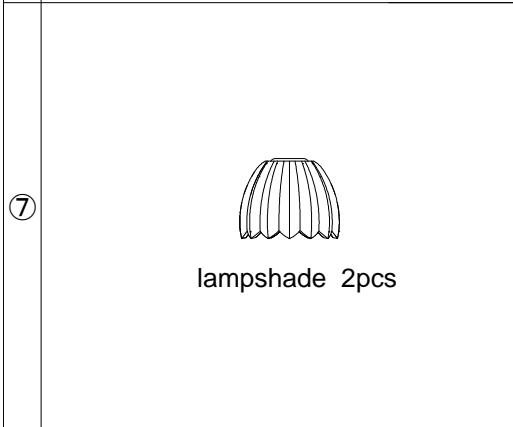
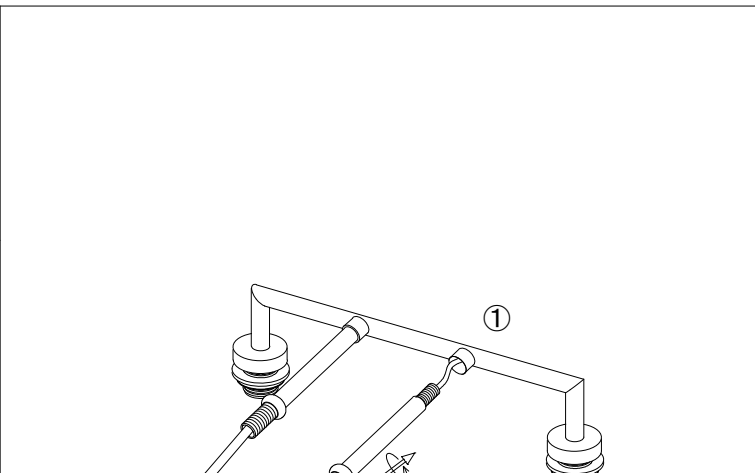
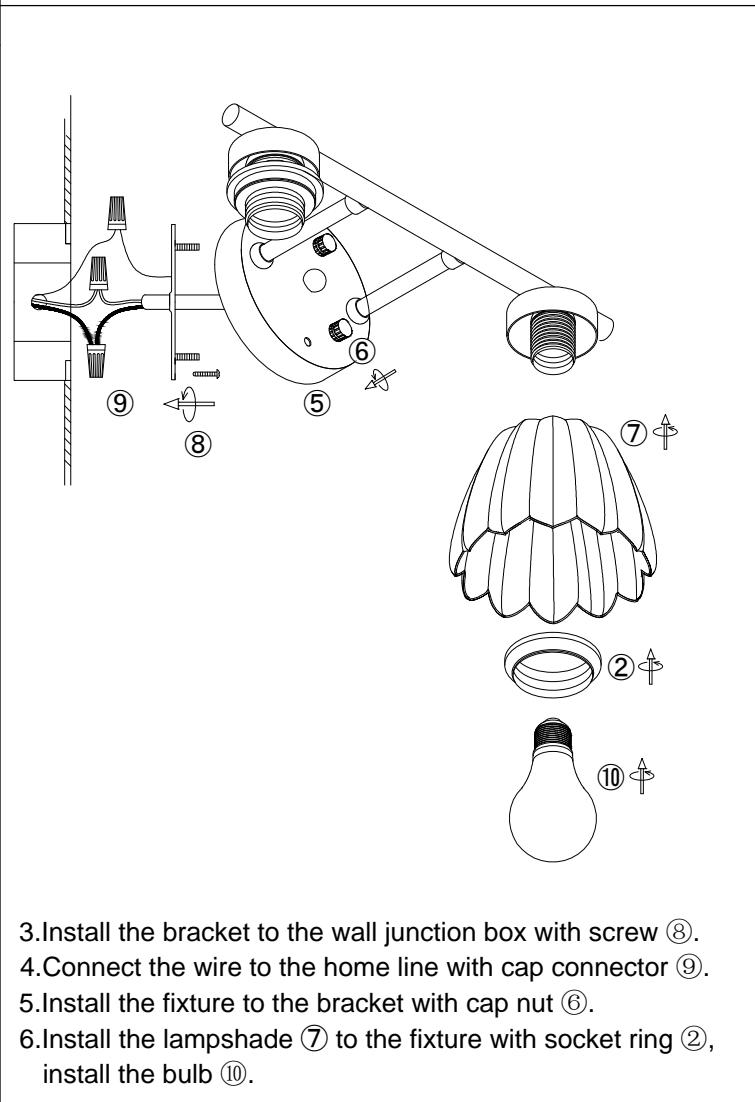
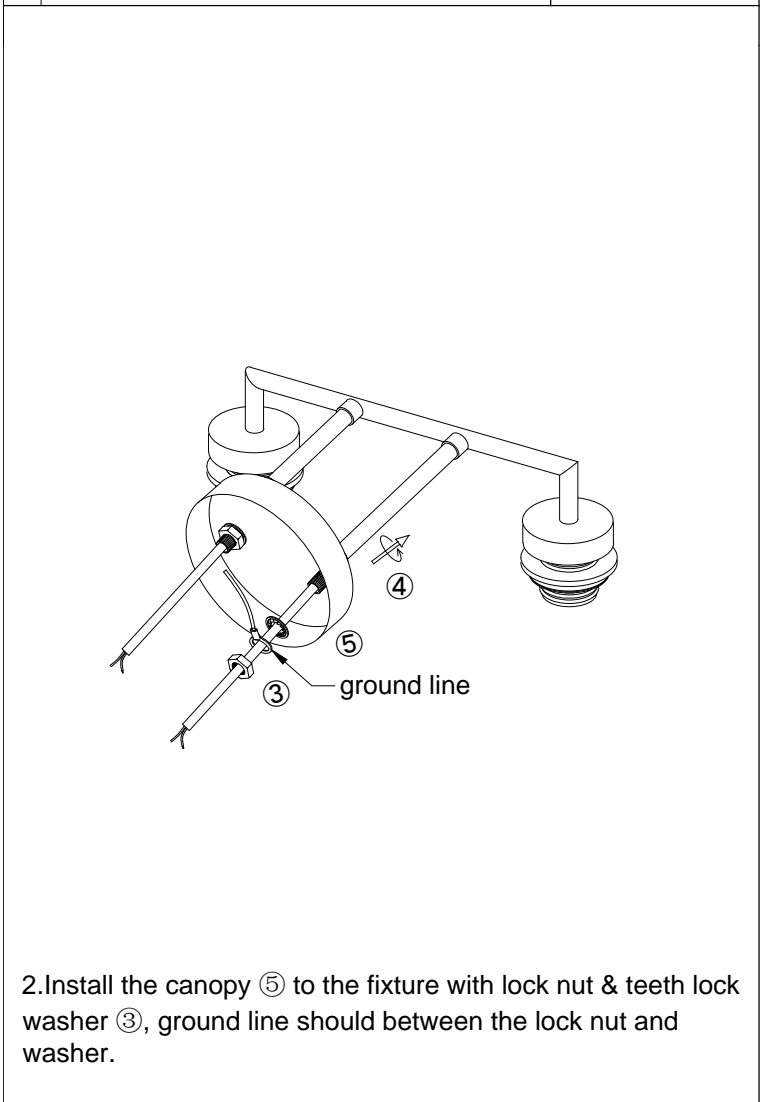


- ③ lock nut & teeth lock washer
- ④ metal tube
- ⑤ canopy
- ⑥ cap nut



- X 1pcs
- X 1pcs
- X 3pcs
- X 3pcs
- X 3pcs
- X 3pcs

1. Let the wire of the fixture ① go through the tube ④, rotate to install the tube ④ to the fixture.



2. Install the canopy ⑤ to the fixture with lock nut & teeth lock washer ③, ground line should be between the lock nut and washer.

3. Install the bracket to the wall junction box with screw ⑧.
 4. Connect the wire to the home line with cap connector ⑨.
 5. Install the fixture to the bracket with cap nut ⑥.
 6. Install the lampshade ⑦ to the fixture with socket ring ②, install the bulb ⑩.

Please read carefully before installation!!!
 Note : Please make sure that the electricity is powered off during installation !
 Only a professional electrician should install this kind of product !