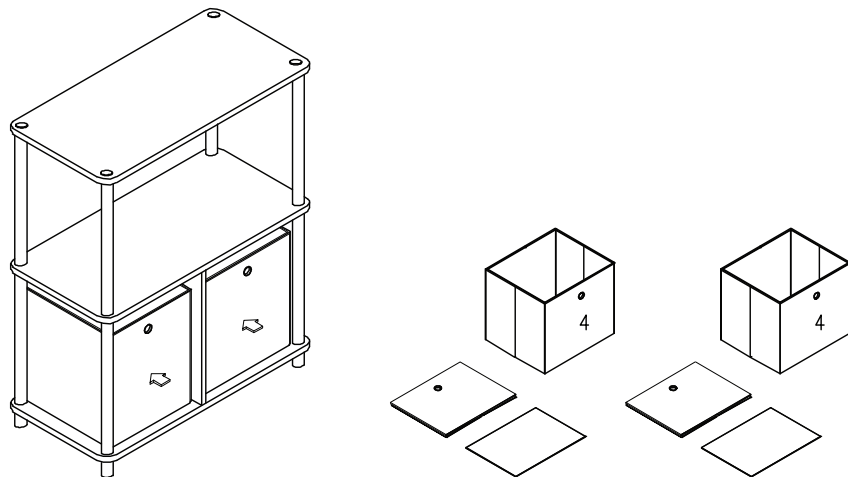
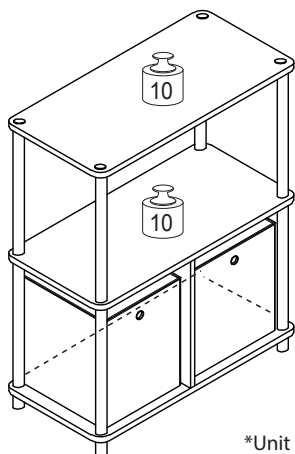


STEP 3

Unfold Bin(4) and put into the unit.



Recommended Maximum Weight



*Unit in Pound(lbs)

WARNING:

>This unit has been designed to support the maximum loads shown. Exceeding these load limits could cause sagging, instability, product collapse, and/or serious injury.

>DO NOT allow children to climb on unit.

>Put heavier items on lower shelves.

ASSEMBLY INSTRUCTION

00:20

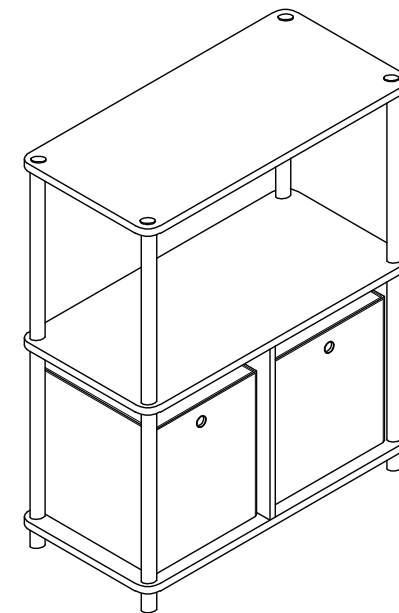
Approx. 20 minutes

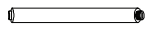










Recomm. 1 Person

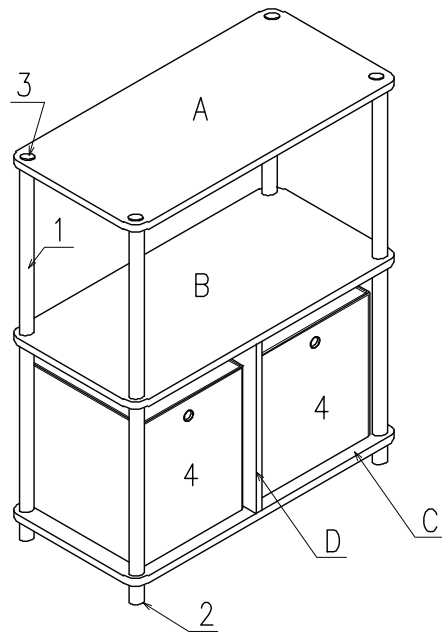


No Tools Required



No	Hardware List	Qty
1	Long Pole 	8pcs
2	Round Leg 	4pcs
3	Top Cap 	4pcs
4	Non-Woven Bin 	2pcs
5	Dowel 	4pcs

No	Parts List	Qty
A	Top Panel 	1pcs
B	Shelf Panel 	1pcs
C	Bottom Panel 	1pcs
D	Center Panel 	1pcs

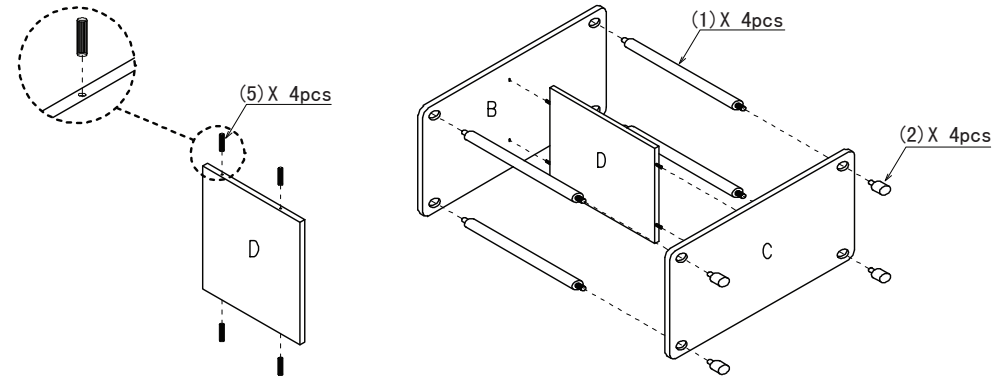


USEFUL HINTS BEFORE YOU START:

1. Read each step carefully before starting.
2. It is important that each step is performed in correct order to avoid difficulties.
3. Identify, sort and count the parts before assembly.
4. Assemble your furniture on packaging cardboard to prevent scratch or damage.
5. Clean the product with mild cleanser using soft damped cloth. Do not use harsh or abrasive cleanser.
6. Using incompatible hardware might cause damage to product.

STEP 1

- 1.1 Install Dowel (5) to Center Panel (D).
- 1.2 Attach Center Panel (D) to Bottom Panel (C).
- 1.3 Tighten Long Pole (1) with Round Leg (2), as shown.
- 1.4 Attach Shelf Panel (B) to Center Panel (D).



STEP 2

- 2.1 Attach Long Pole (1) to Shelf Panel (B) and tighten it.
- 2.2 Attach Top Panel (A) and tighten it with Top Cap (3).

