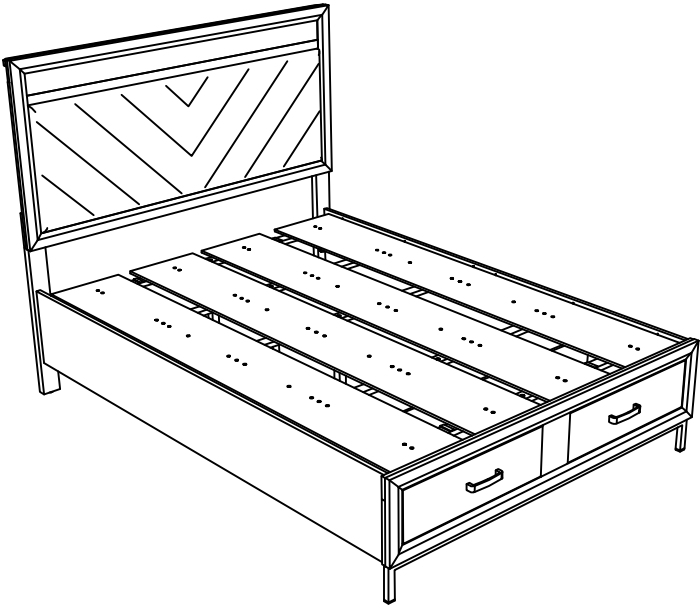


ASSEMBLY INSTRUCTIONS



TOOLS REQUIRED



Allen Wrench
(Included)



Phillips Screwdriver
(Not Included)



2 - Persons
Recommended

ASSEMBLY RATING



EASY ————— DIFFICULT

The Assembly Rating is a 5-point system showing the level of effort needed to assemble a specific product.



CHECK BEFORE STARTING

Are you missing anything?

Double-check all parts, hardware and accessories listed on Page 6 are accounted for.

Check out our Quick Tips!

We recommend reviewing the pre-assembly handouts. Even experts need a refresher now and then!

Should we send any replacements?

Are there any irregularities or flaws in the parts? We can send replacements!

Prep Time!

Please review the assembly instructions and all diagrams prior to assembling. Set up your workspace by laying the parts and hardware out separately, then begin!

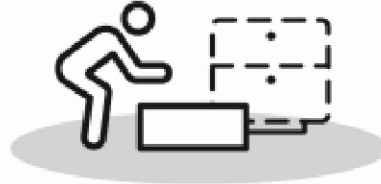
PRE ASSEMBLY INTRODUCTION

We understand building ready-to-assemble furniture can be a challenging experience for some. To help avoid confusion, we have provided some helpful tips that may speed up the process.



Teamwork

ALWAYS have at least two people to help with transporting and assembling the product to avoid potential injury and/or damage.



Suitable Location

Assembling near the area of the intended location is highly recommended.



Sufficient Space

Make sure you have enough space to move around during the assembly.



Avoid Scratches

Use cardboard, blankets or a carpeted area while assembling furniture to prevent scratches.



Flat Surface

Make sure the furniture rests on a flat and level surface with each leg evenly touching the floor.

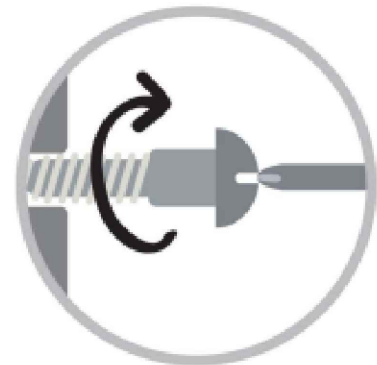
ASSEMBLY AND CARE ADVICE



FAILURE TO FOLLOW THE GUIDELINES BELOW MAY RESULT IN INJURY AND/OR PROPERTY DAMAGE.



Position each part correctly and insert screws or bolts into their respective holes.



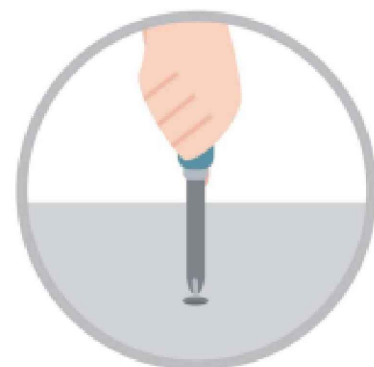
Turn clockwise to tighten and only tighten when step is completed or when instructed to do so.



Use the appropriate hand tools or power tools for assembly. Select steps, such as tightening screws and/or bolts, may require hand tools to avoid causing damage during assembly.



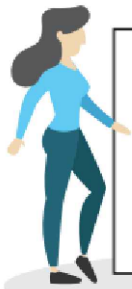
Save the instructions and store any supplied tools for later maintenance.



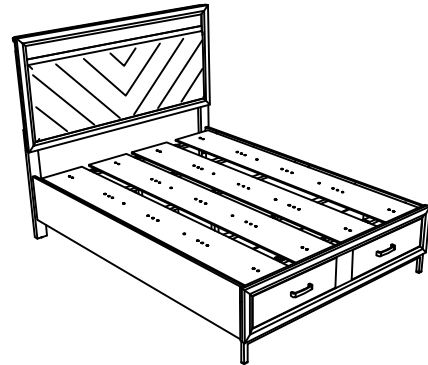
After two weeks, check and tighten any loose hardware and repeat again every six months thereafter.

IT IS THE USER'S RESPONSIBILITY TO MAINTAIN THE FURNITURE. THE HARDWARE MAY LOOSEN OVER TIME AND MAY CAUSE THE FURNITURE TO BE WOBBLY AND UNABLE TO SUPPORT ITS INTENDED WEIGHT CAPACITY. THIS MAY LEAD TO COLLAPSE AND MAY CAUSE SERIOUS INJURY.

FULL BED



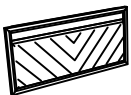
- Please keep instructions for future reference.
- Check the quantity and irregularity of parts and hardware before you start.



PARTS

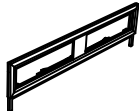
Parts List (Box 1) Headboard Box

① 1pc



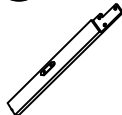
Headboard

② 1pc



Footboard

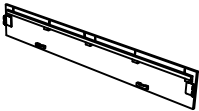
③ 2pcs



Headboard
Leg L&R

Parts List (Box 2) Side Rail Box

④ 2pcs



Side Rail

⑤ 1pc



T-Runner Center
Support

⑥ 3pcs



Bed Slat w/o marking
1387 x 45 x 18mm

⑦ 2pcs



Bed Slat with marking
1387 x 45 x 18mm

⑧ 5pcs



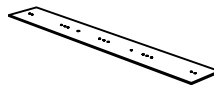
Bed Slat Support
365 x 30 x 30mm

⑨ 1pc



FB T-Runner Slat
Support
145 x 30 x 30mm

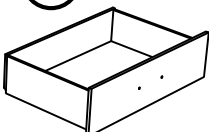
⑩ 4pcs



Concealed Panel
1900 x 295 x 9mm

Parts List (Box 3) Drawer Box

⑪ 2pcs

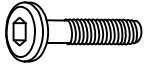


Footboard Drawer

HARDWARE

Hardware List (Box 1) Headboard Box

Ⓐ 6pcs



Bolt 1/4" x 1-3/16"

Ⓑ 6pcs



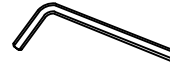
Lock Washer

Ⓒ 6pcs



Flat Washer

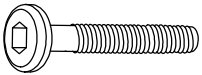
Ⓓ 1pc



Allen Key M4

Hardware List (Box 2) Side Rail Box

Ⓔ 6pcs



Bolt 1/4" x 2"

Ⓕ 8pcs



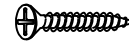
Flat Washer
(IF NECESSARY
USE ONLY)

Ⓖ 12pcs



CSK m4 x 32mm

Ⓗ 2pcs



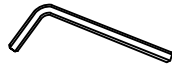
CSK m4 x 20mm

Ⓘ 20pcs



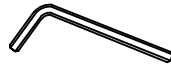
P.H Screw
m3.5x20mm

Ⓙ 1pc

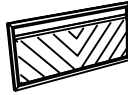


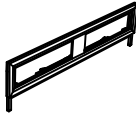

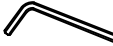

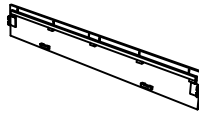
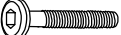

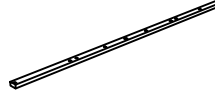





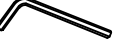




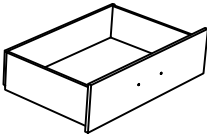


Allen Key M4

Ⓚ 1pc



Allen Key M5

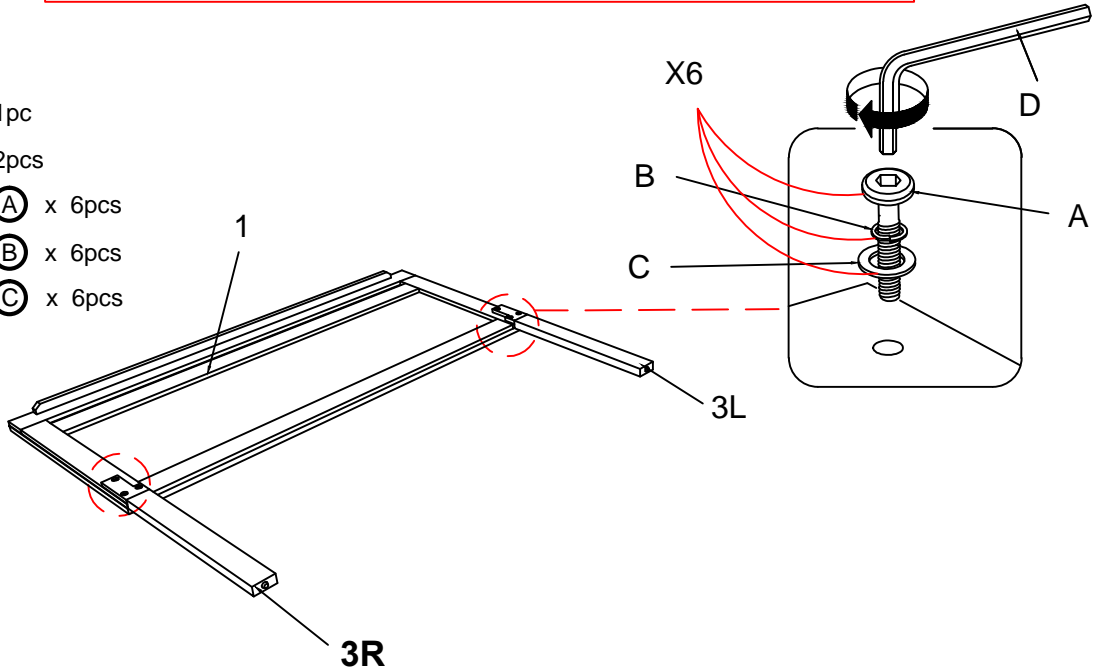
Carton	Designation	Part		Hardware	
	Full Size Bed HB, FB & HB Legs	1	 X 1	 A x 6pcs  B x 6pcs	
2		 X 1	 C x 6pcs  D x 1pc		
3		 X 2			
	Full Size Bed Rails	4	 X 2	 E x 6pcs  F x 8pcs	
5		 X 1	 G x 12pcs  H x 2pcs		
6		 X 3	 I x 20pcs		
7		 X 2	 J x 1pc  K x 1pc		
8		 X 5			
9		 X 1			
10		 X 4			
		Full Size Drawer	11	 X 2	

ASSEMBLY INSTRUCTIONS

Prepare 6 bolts assembly by inserting lock washer (B), then flat washer (C) onto bolts (A).
Align HB legs (3R/L) to the holes of the headboard (1). Secure by using bolts (A).

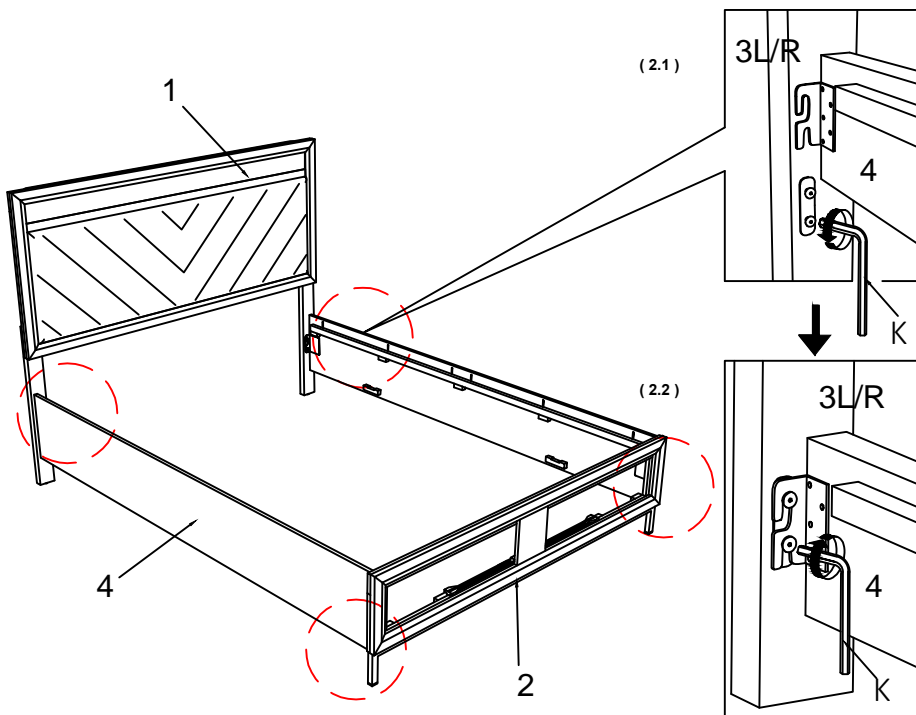
1

- Part ① x 1pc
- Part ③ x 2pcs
- Hardware ① x 6pcs
- Hardware ② x 6pcs
- Hardware ③ x 6pcs



2

- 1) Loosen the bolts attached to headboard (1) and footboard (2), then hook the side rails (4) to the loosed bolts on the headboard (1) and footboard (2).
- 2) Tighten the bolts on the headboard (1) and footboard (2) to the side rail hooks (4).

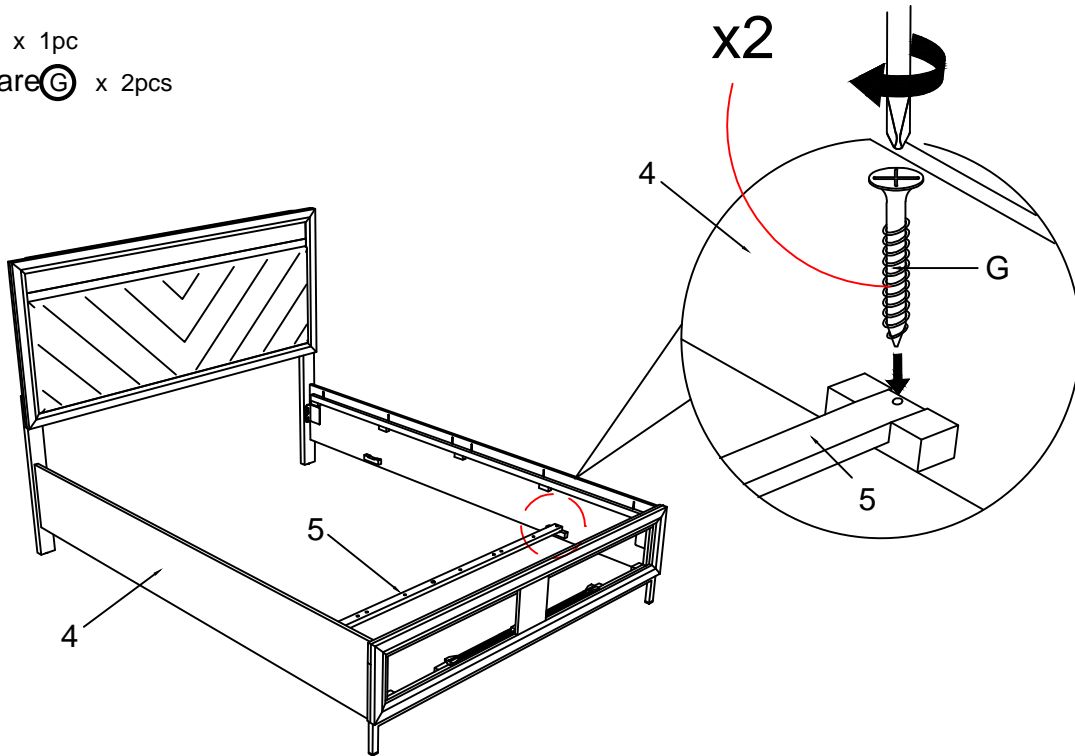


ASSEMBLY INSTRUCTIONS

3

Part ⑤ x 1pc
Hardware ⑥ x 2pcs

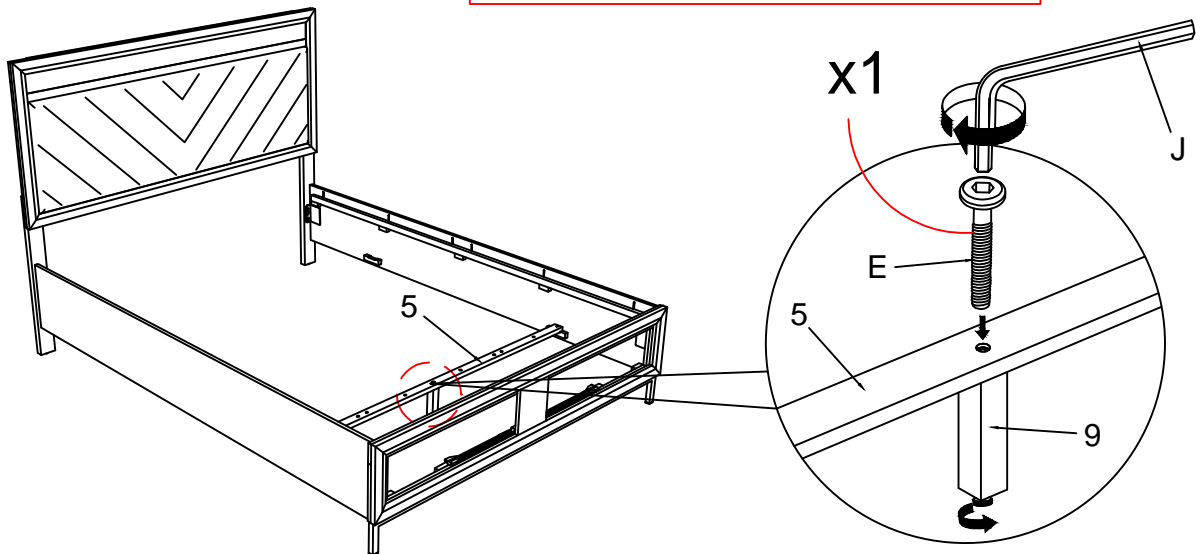
Align T-Runner Center Support (5) to the side rails (4), then secure by using screws (G).



4

Part ⑨ x 1pc
Hardware ⑦ x 1pc

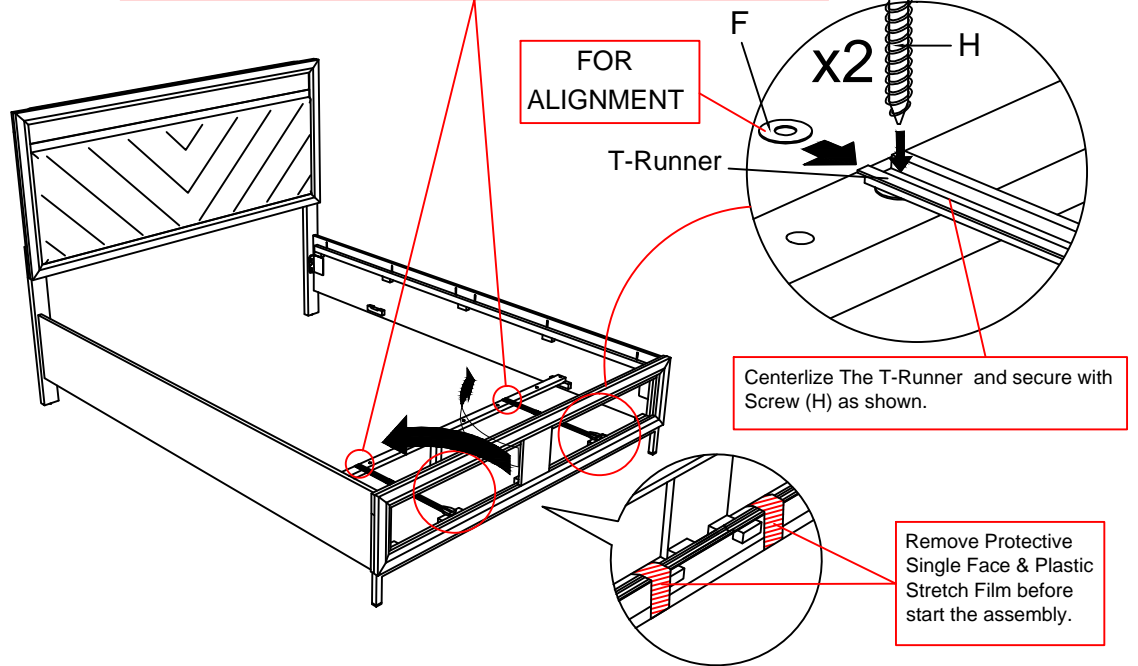
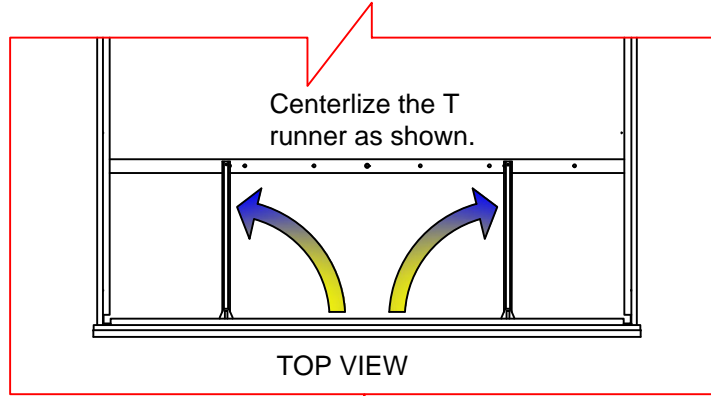
Align Footboard T-Runner Slat Support (9) to the hole of the T-Runner Center Support (5), secure with JCBC (E) tighten with Allen Key (J), then adjust leveler of the Footboard T-Runner Slat Support (9) according to ground level.



ASSEMBLY INSTRUCTIONS

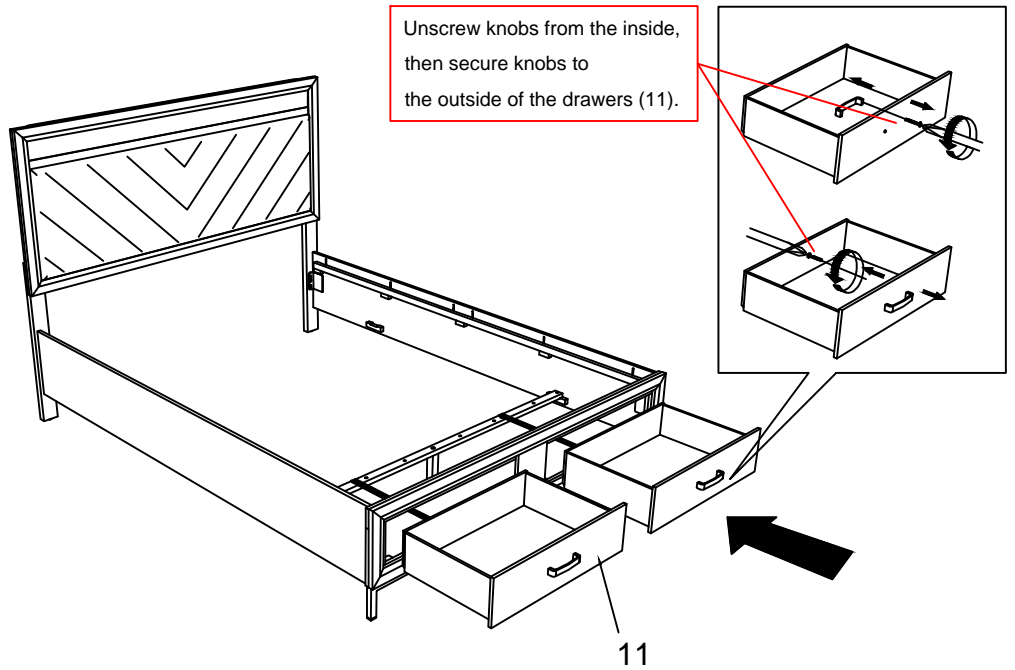
5

Hardware  x 2pcs



6

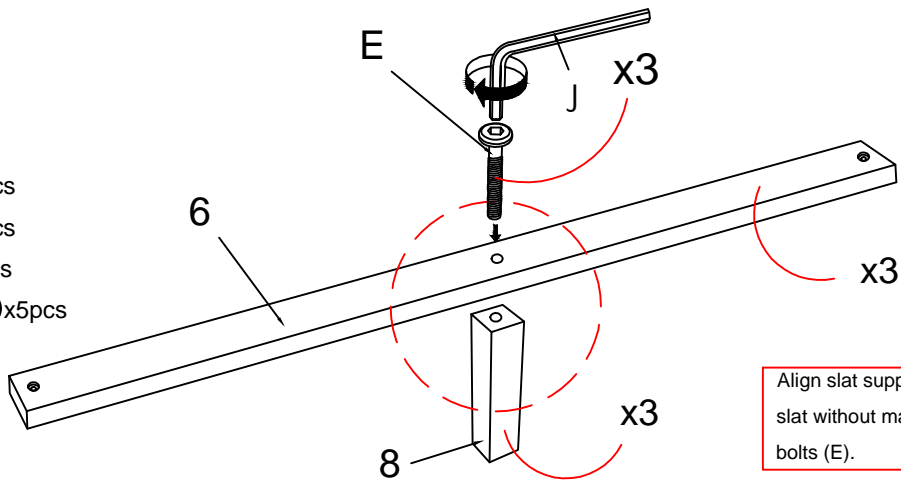
Part  x 2pcs



ASSEMBLY INSTRUCTIONS

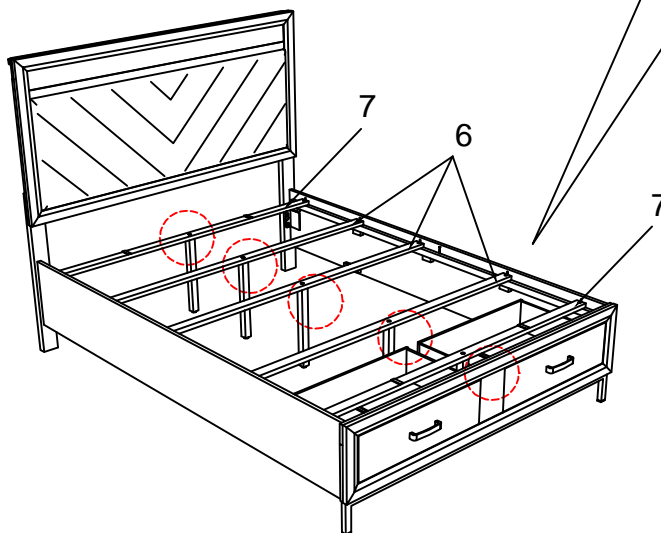
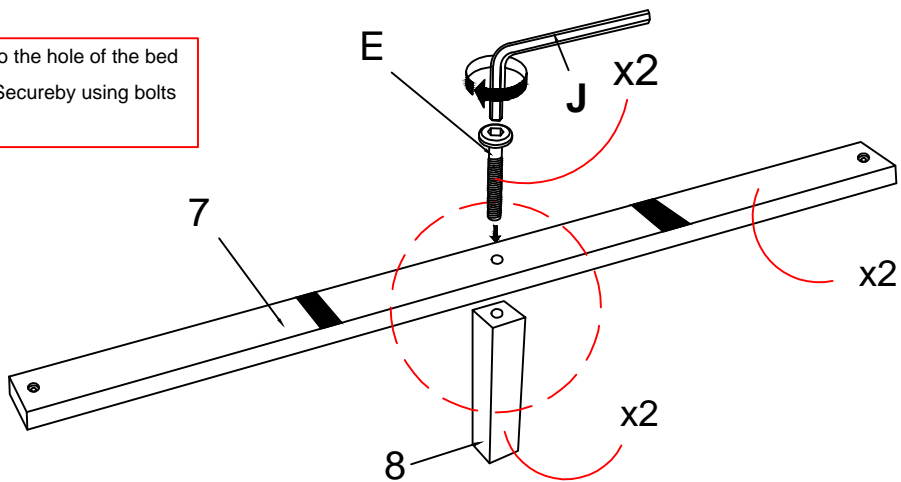
7

- Part ⑥ x 3pcs
- Part ⑦ x 2pcs
- Part ⑧ x 5pcs
- Hardware ⑤ x 5pcs



Align slat support (8) to the hole of the bed slat without marking (6). Secure by using bolts (E).

Align slat support (8) to the hole of the bed slat with marking (7). Secure by using bolts (E).

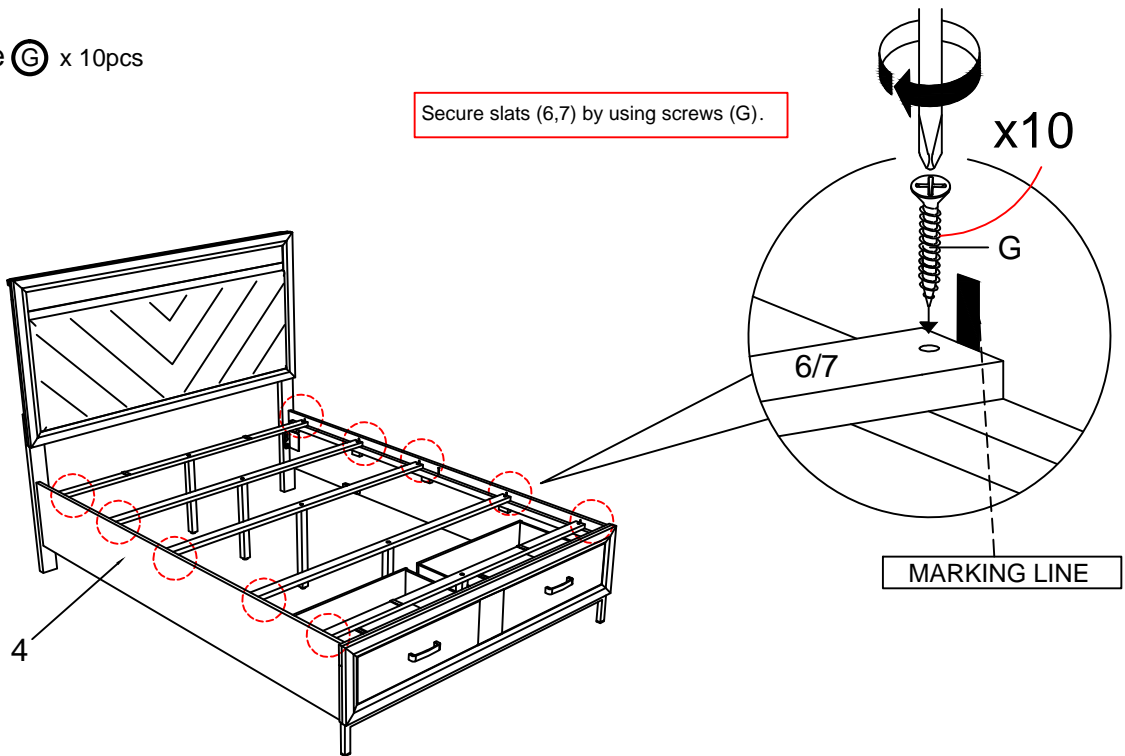


Align slats (6,7) to the side rails (4) by follow the Marking Line provided .



ASSEMBLY INSTRUCTIONS

8

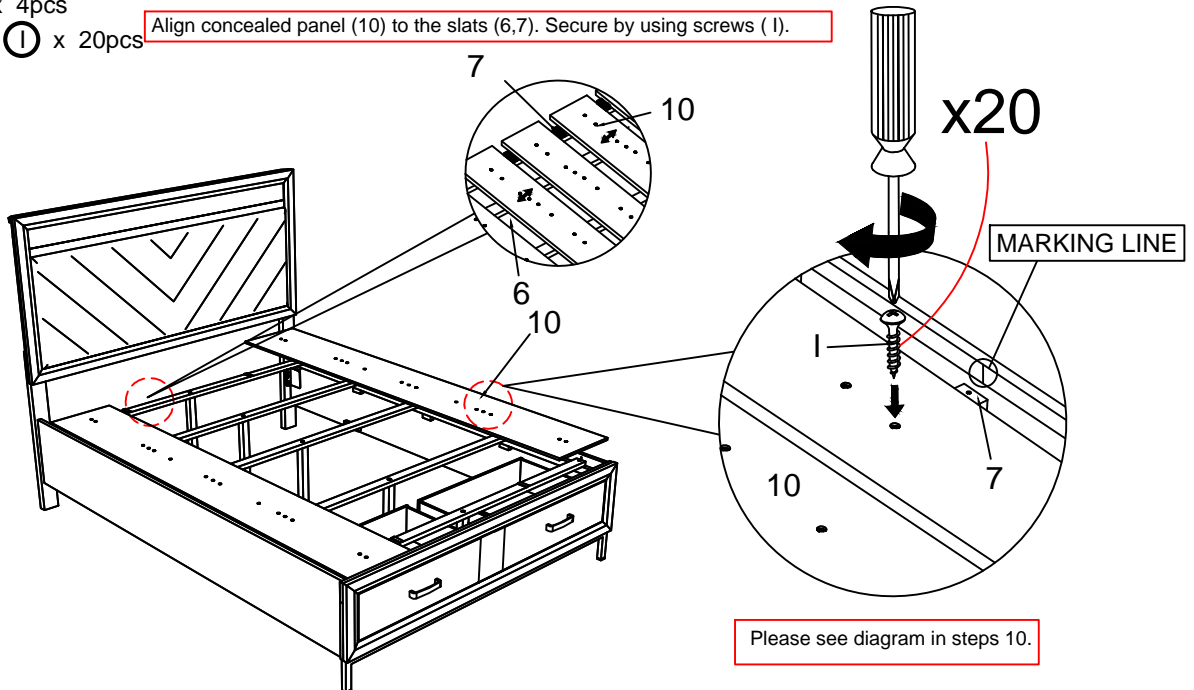
Hardware  x 10pcs



9

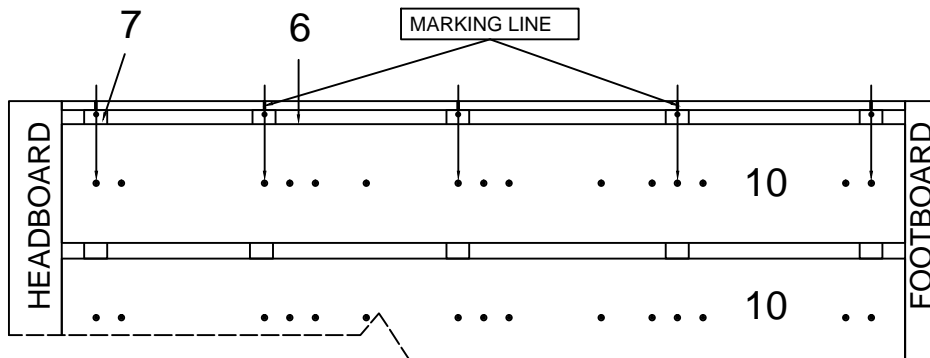
Part  x 4pcs
Hardware  x 20pcs

Align concealed panel (10) to the slats (6,7). Secure by using screws (I).

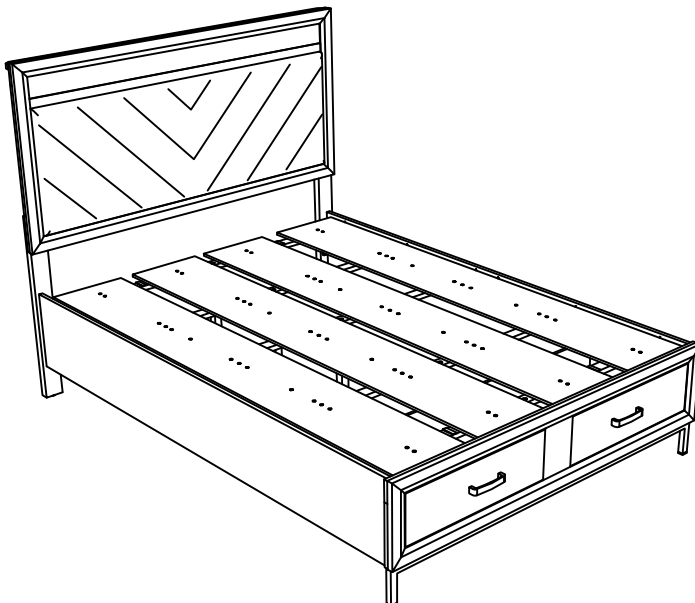


ASSEMBLY INSTRUCTIONS

10



11



ASSEMBLY COMPLETED



Please ensure the furniture rests on an even and flat surface. If the product wobbles or feels loose, double-check all bolts and/or screws are properly tightened and secured.



Keep this handy!

Please retain this instruction manual and any order-related information for future reference.



Lift, don't drag!

To avoid damage to product please always LIFT the product when transporting or adjusting the placement.

This product is intended for RESIDENTIAL USE ONLY and not for commercial use.