

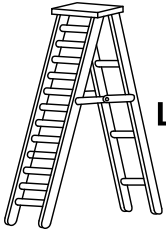
## ASSEMBLY INSTRUCTIONS



**CAUTION**

- ◆ Inspect the wire insulation for any cuts, abrasions, or exposed copper that may have resulted during shipping. If there is a defect in the wire, do not attempt installation.
- ◆ Before starting installation of this fixture or removal of a previous fixture, disconnect the power by turning off the circuit breaker or by removing the fuse at the fuse box.

## TOOLS REQUIRED



**Ladder**

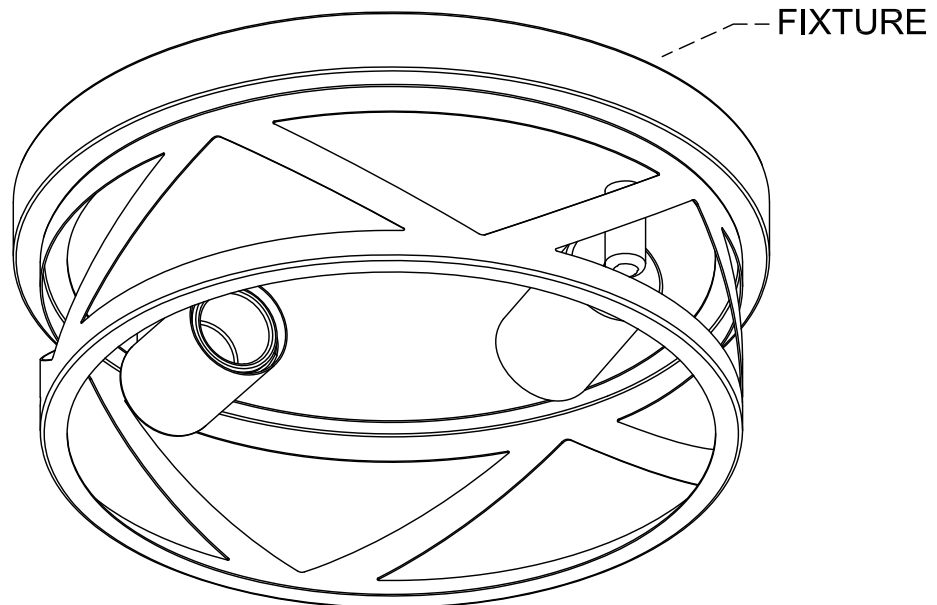
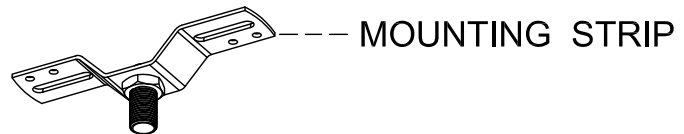


**Safety  
glasses**

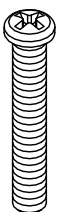


**Phillips  
screwdriver**

## PARTS SHOWN MAY DIFFER SLIGHTLY PER LIGHT FIXTURE



### PART BAG



**X2**

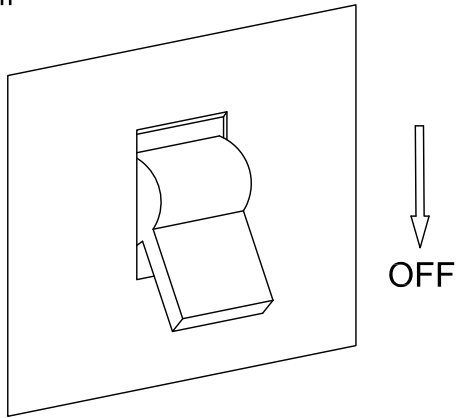


**X3**

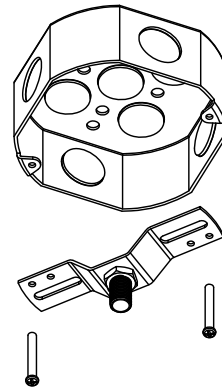


**BALL NUT**

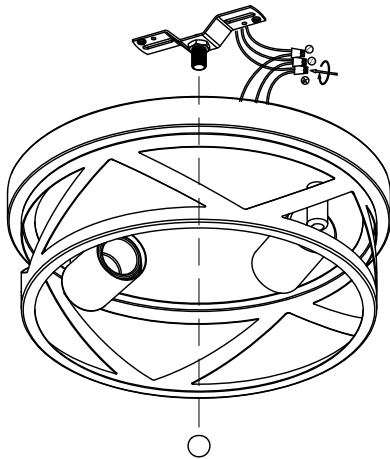
**Step 1**  
Power off



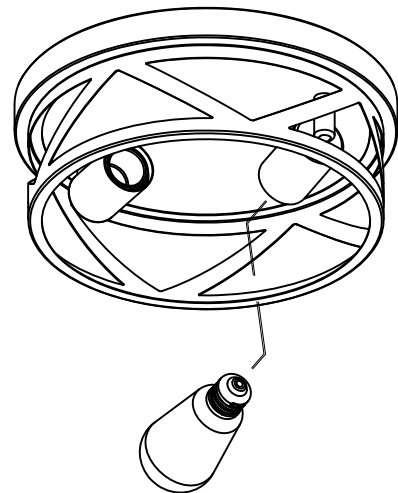
**Step 2**  
Use the mounting screws to attach the mounting plate to the junction box(not included).



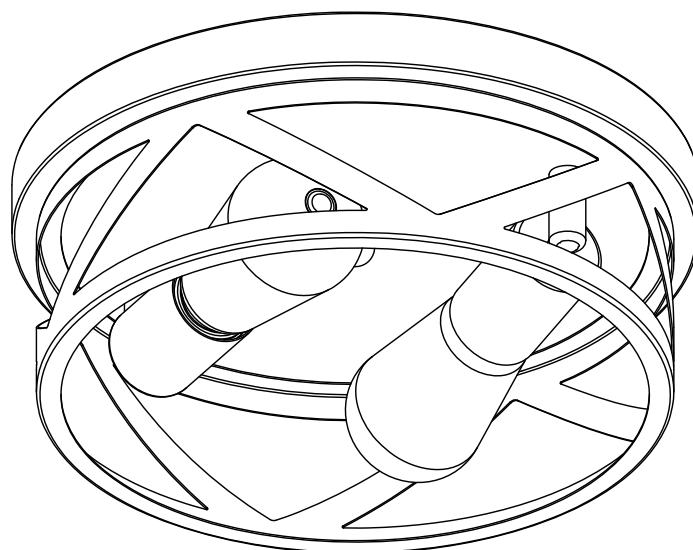
**Step 3**  
a. Connect the wire.  
b. Attach the fixture to the mounting strip with ball nut



**Step 4**  
Install the bulb (not include).



**CEILING LAMP**



**AD25051-B2**