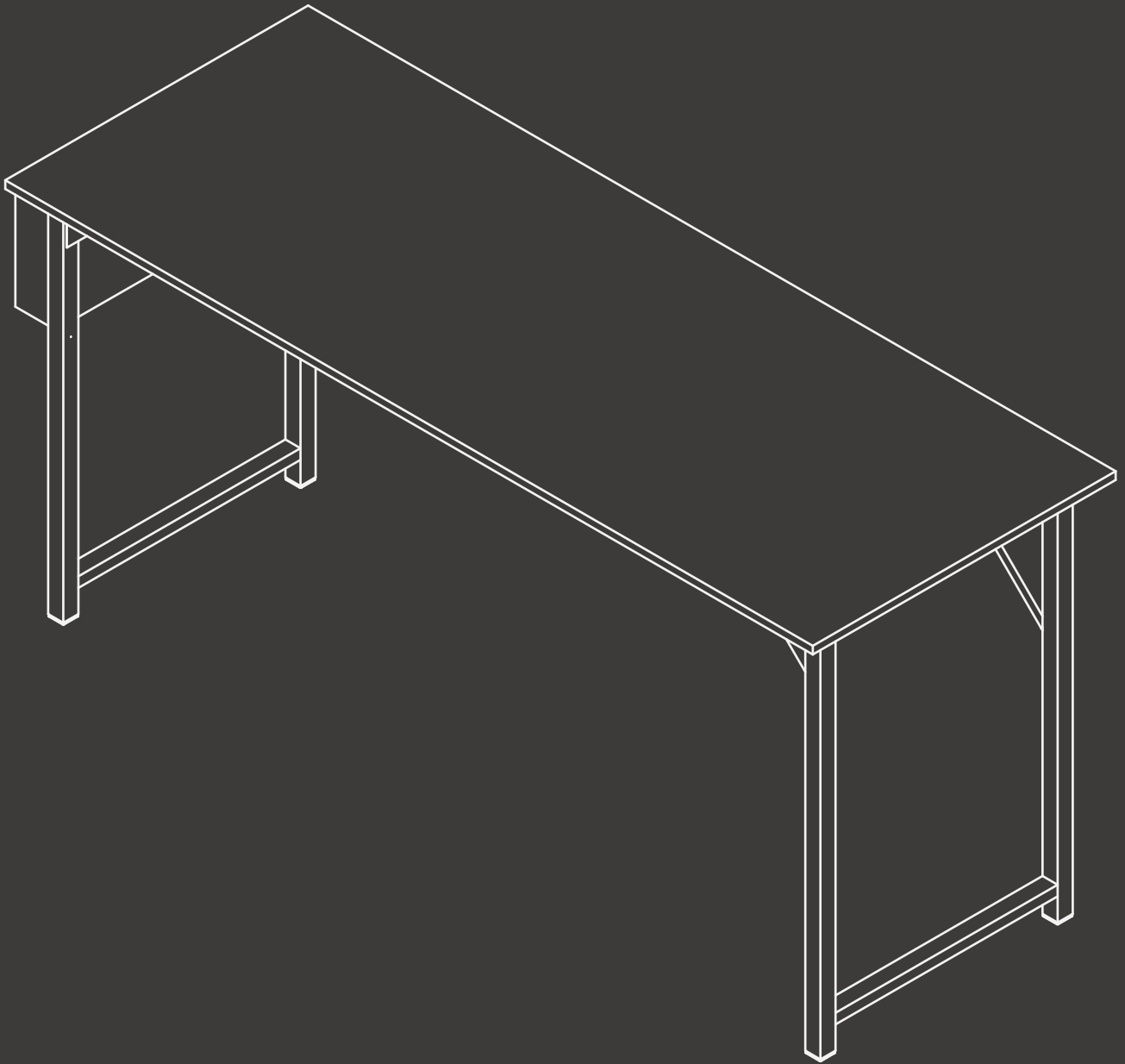


# Computer Desk

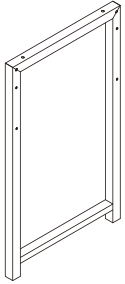
## Instruction Manual



# 1 Components List

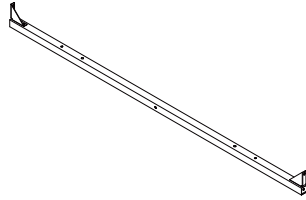
---

**A X2**



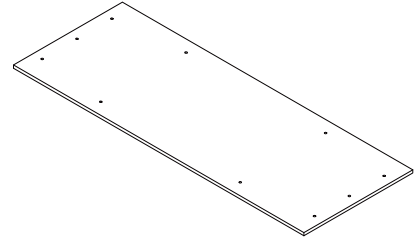
Leg

**B X2**



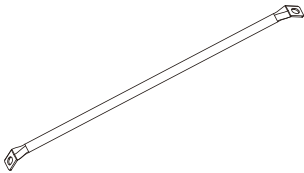
Crossbar

**C X1**



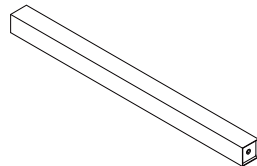
Board

**D X2**



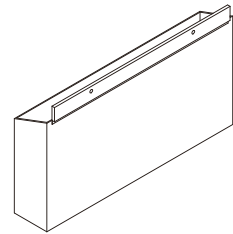
Slant Support

**E X1**



Crossbar

**F X1**

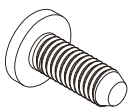


Storage Bag

# 2 Supplied Parts and Hardware

---

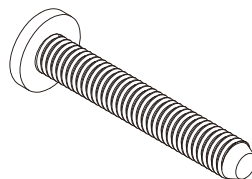
**1 X10**



M6x16mm

Screws

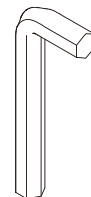
**2 X16**



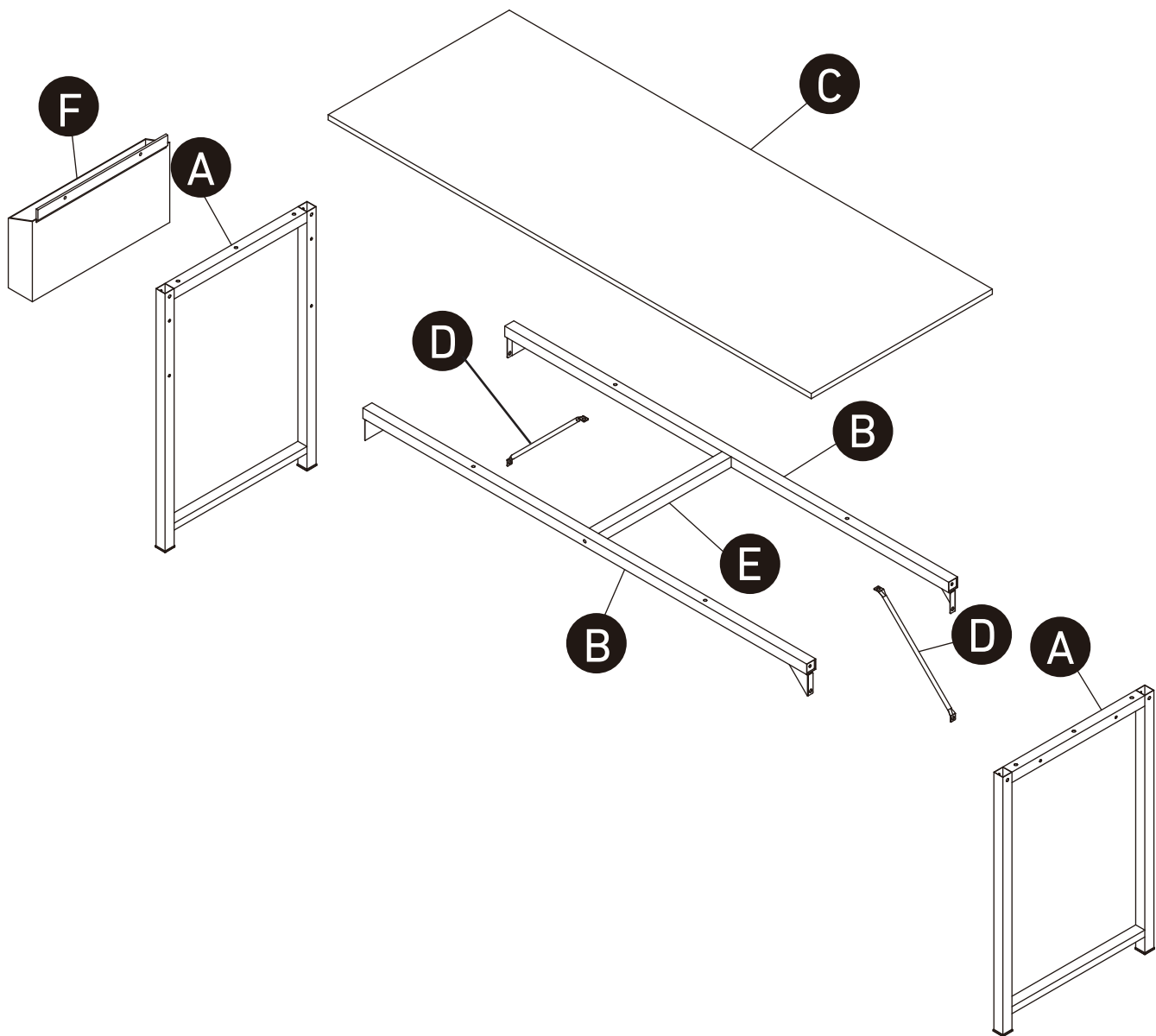
M6x35mm

Screws

**3 X1**



Wrench

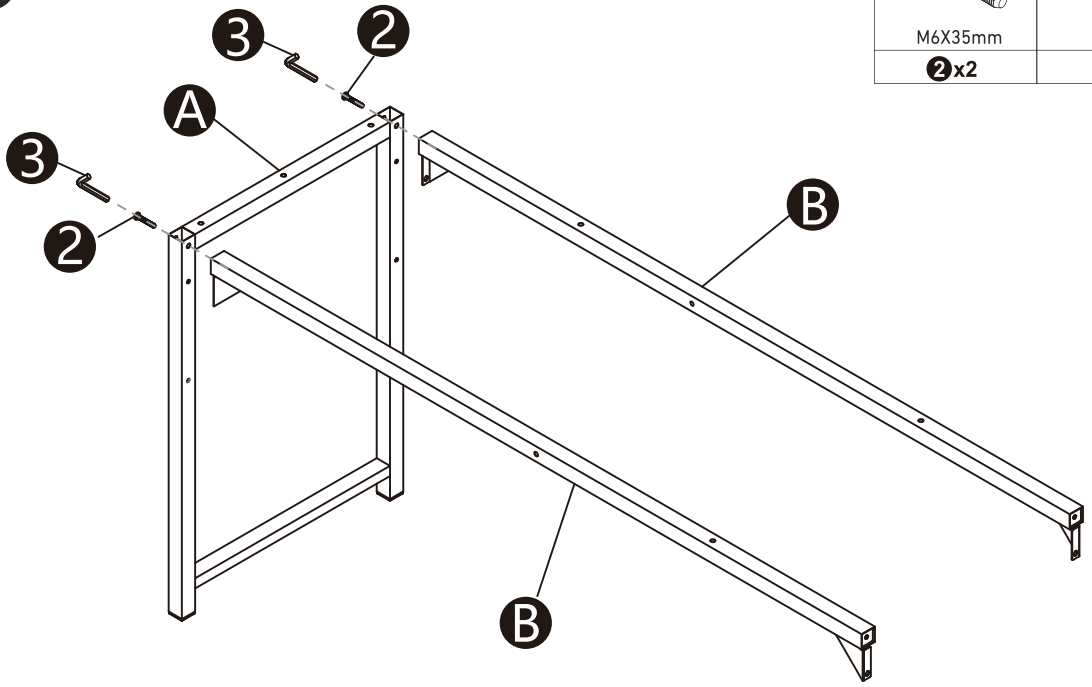


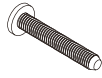
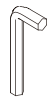
---

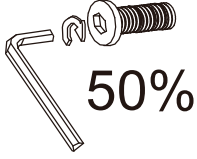
## ATTENTION:

1. Please do not use corrosive liquids to clean the desk.
2. Please store parts out of children's reach to prevent the risk of swallowing.
3. Please do not place overheated kitchenware and tableware to avoid damaging the desk.

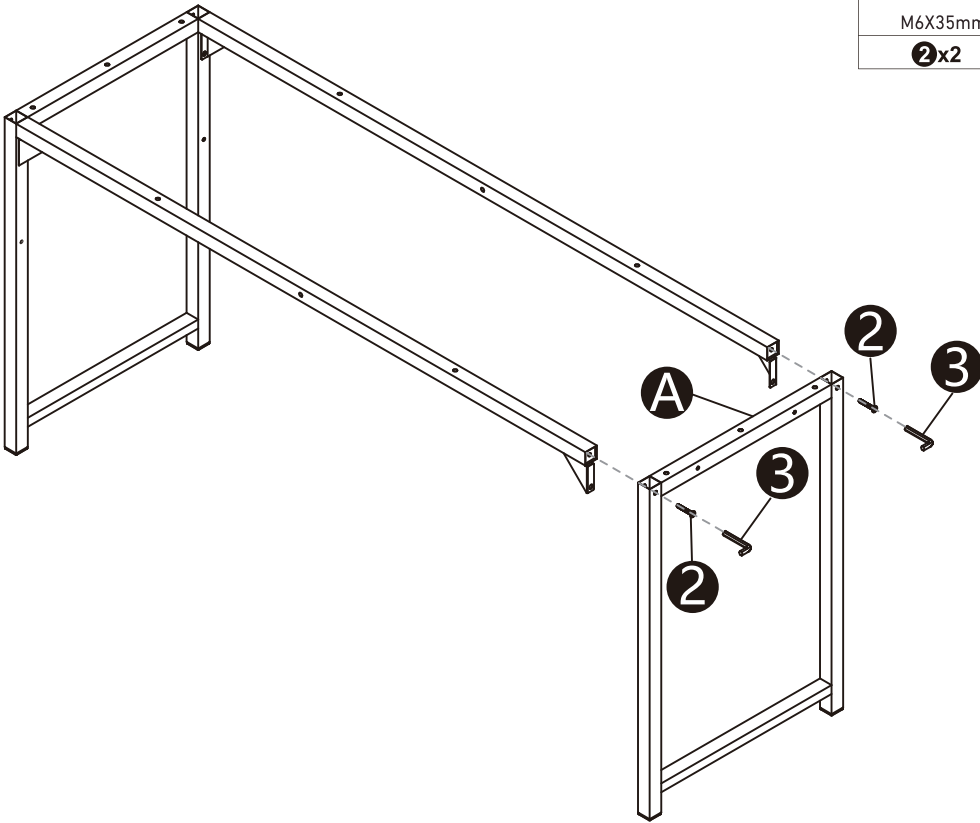
# Step 1

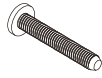
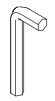


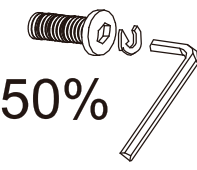
 M6X35mm 2x2	 3
---	--




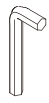
# Step 2

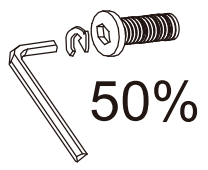
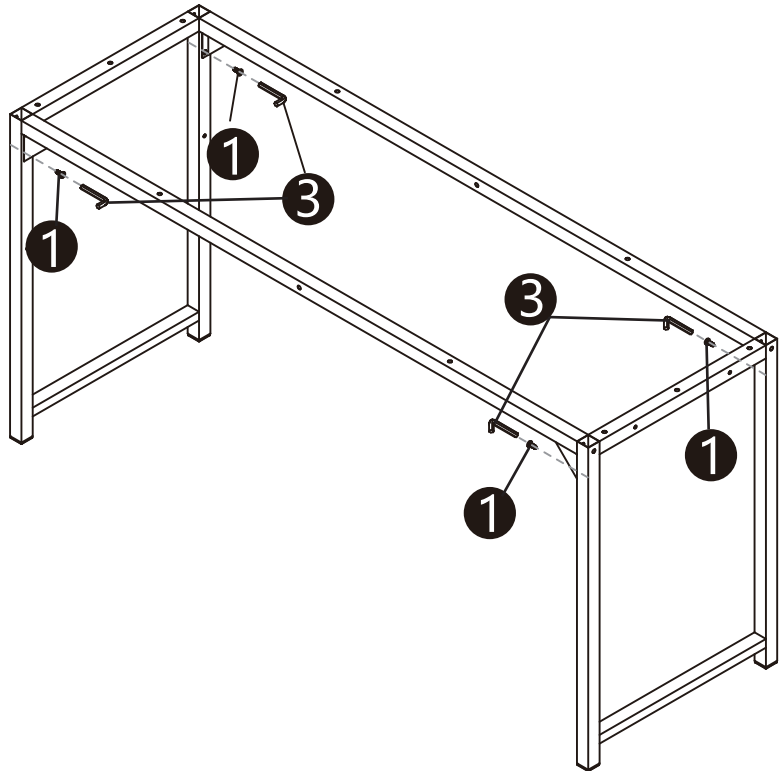


 M6X35mm 2x2	 3
---	--

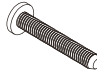
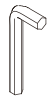


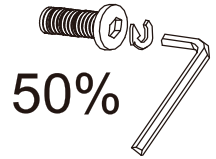
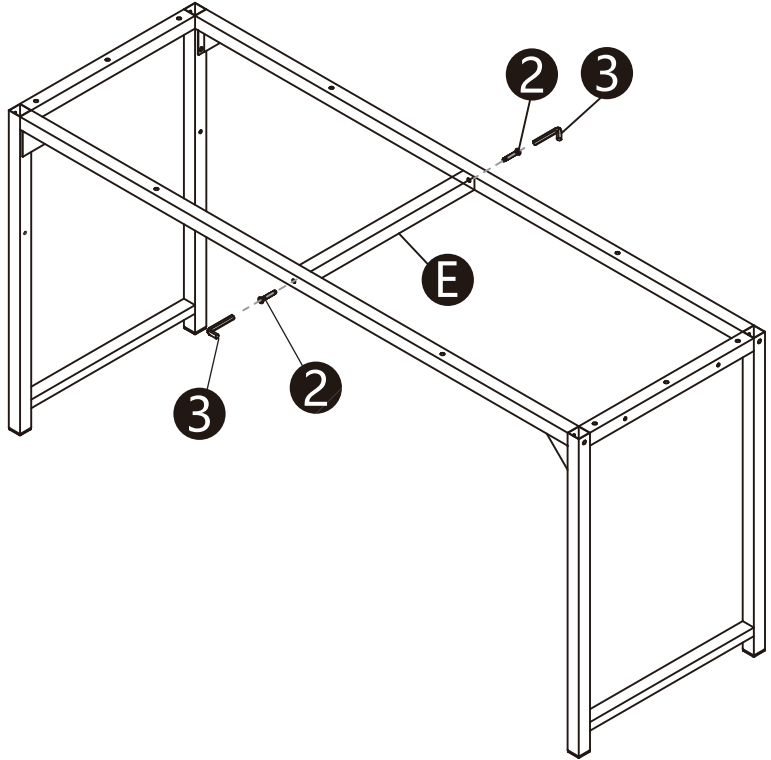
# Step 3

 M6X16mm	
<b>1</b> x4	<b>3</b>


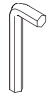


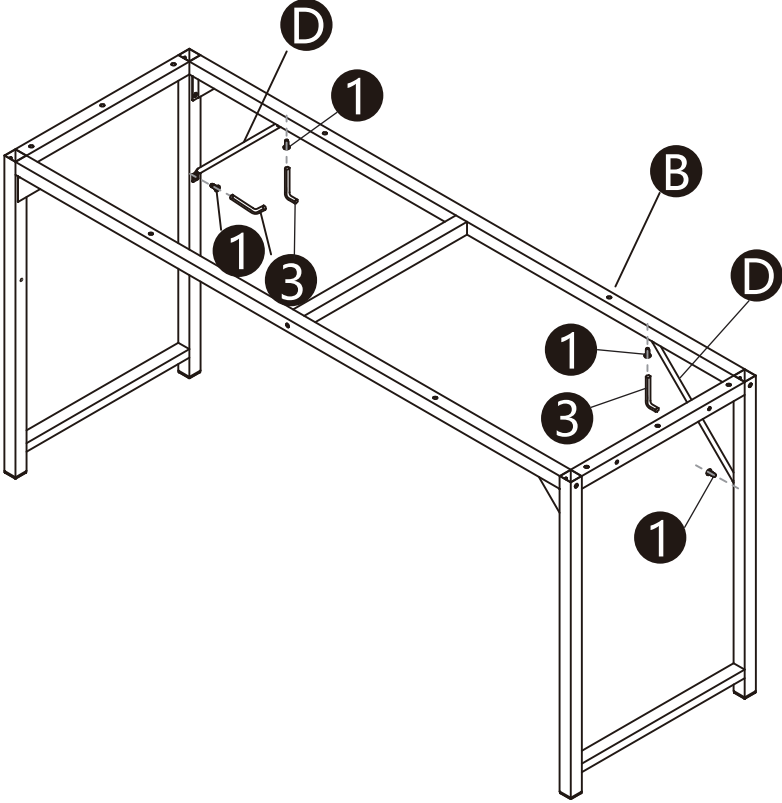
# Step 4

 M6X35mm	
<b>2</b> x2	<b>3</b>

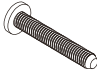
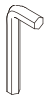


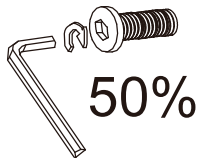
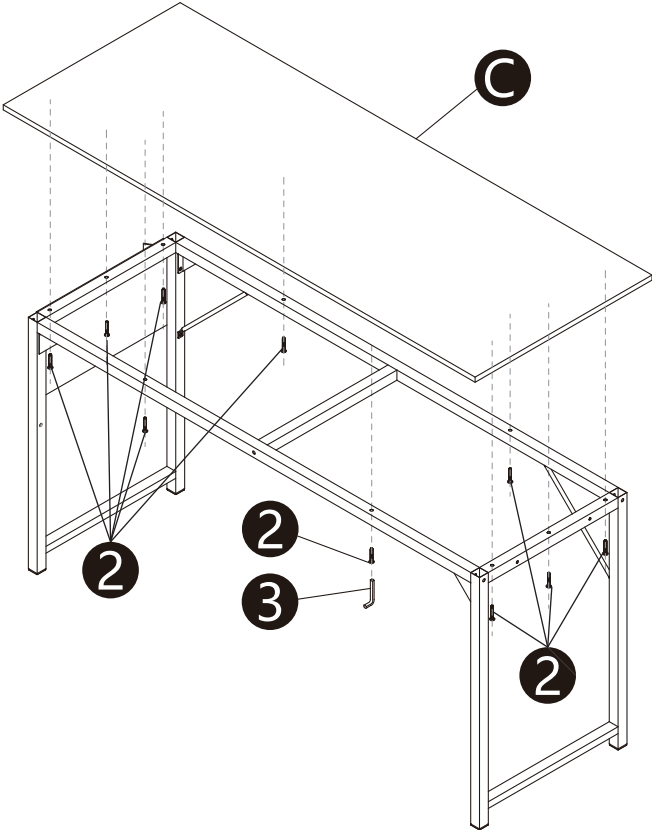
# Step 5

 M6X16mm	
<b>1</b> x4	<b>3</b>





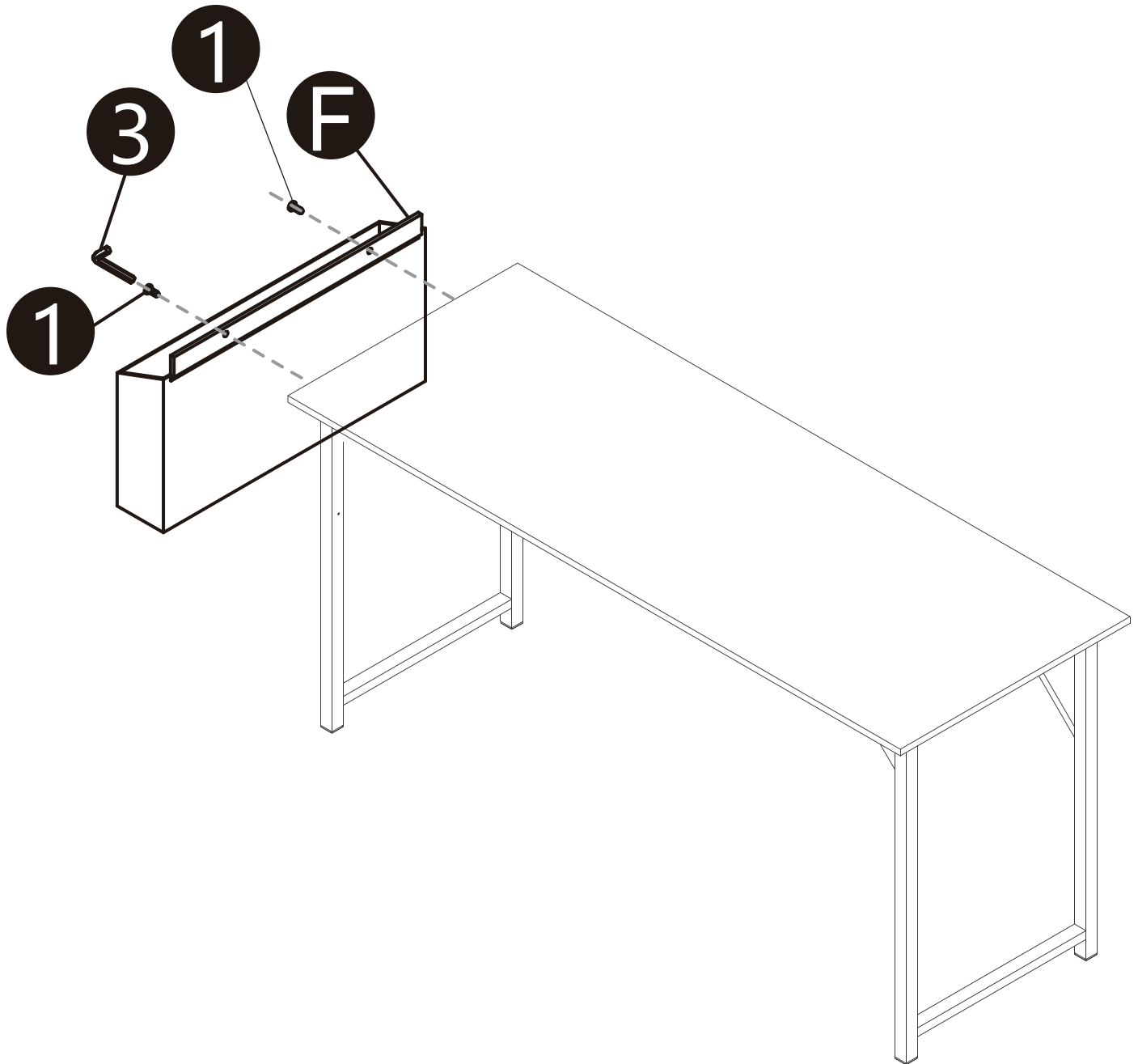
# Step 6

 M6X35mm	
<b>2</b> x10	<b>3</b>

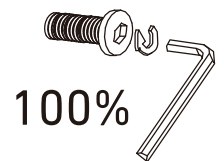


# Step 7

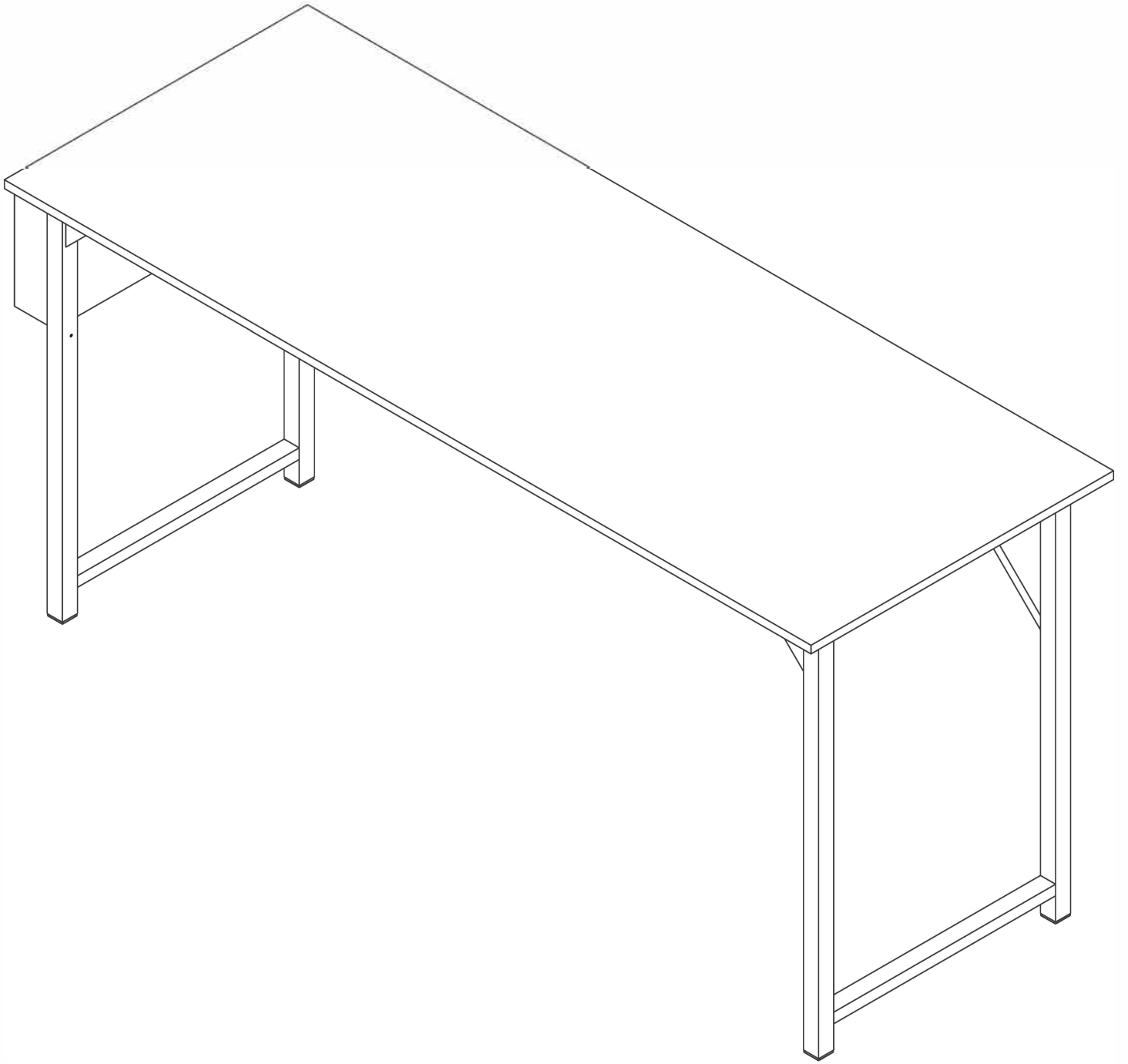
 M6X16mm	
<b>1</b> x2	<b>3</b>



Secure the storage bag **F** to the support leg **A** or **B** using a wrench **4** and screws **1**.



Fully tighten all screws.



Thank you for choosing this product. We strive to provide you with the best quality products and service in the industry. Should you have any issues, please don't hesitate to contact us.