

# BOX SPRING

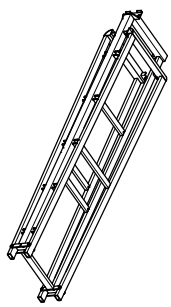
## Set-up Instruction

BS:03/04/05/06

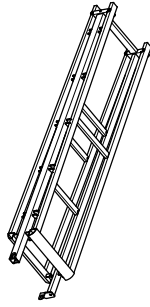
Size: Full/Queen/King/Calking

If you have any questions about the product, please don't hesitate to contact us. You can reach us through your order. Thanks for your support!

### Package Parts List



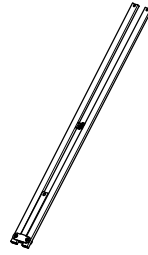
A\*1PCS



C\*1PCS



B\*2PCS



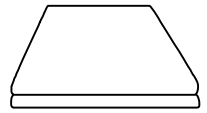
E\*2PCS



J\*4PCS

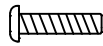


H\*20PCS



D\*1pcs  
(Bed cover)

### Accessories List



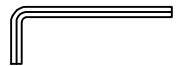
T\*3pcs  
M6\*35 (bolt)



L\*8pcs  
M6\*20 (bolt)

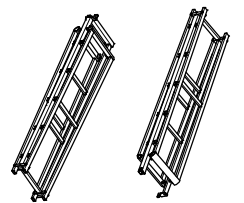


P\*11pcs  
M6\*8 (bolt)

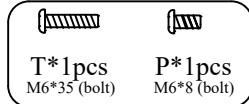


Z\*1pcs

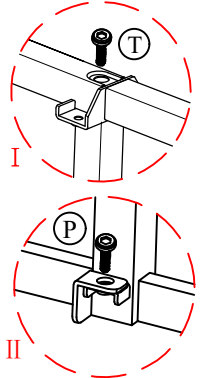
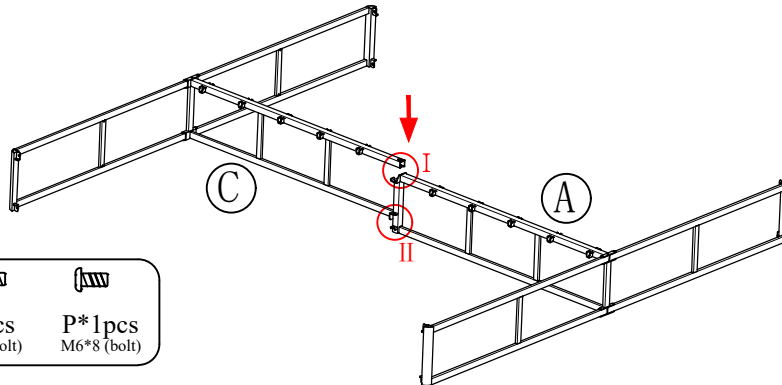
### Step1:



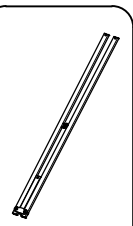
A\*1PCS C\*1PCS



T\*1pcs M6\*35 (bolt)  
P\*1pcs M6\*8 (bolt)



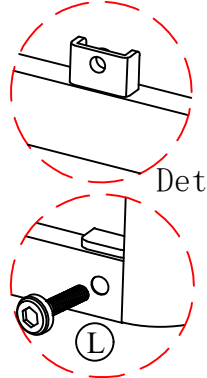
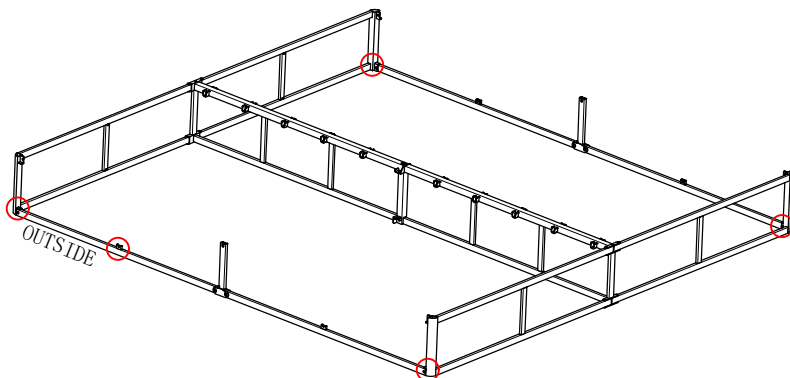
### Step2:



E\*2PCS

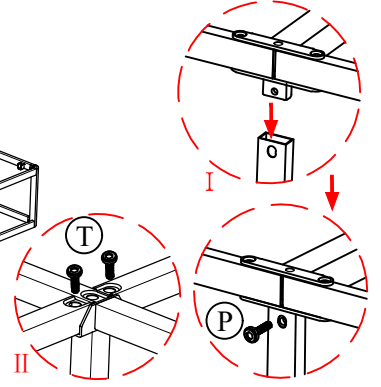
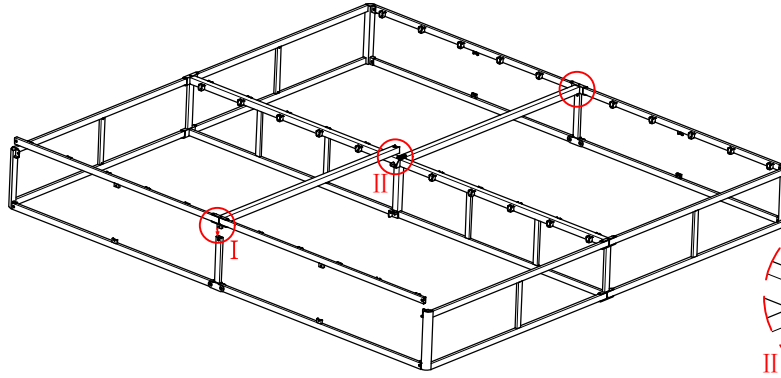
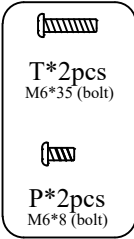


L\*4pcs  
M6\*20 (bolt)

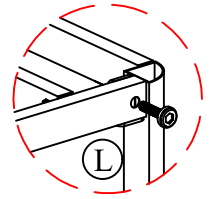
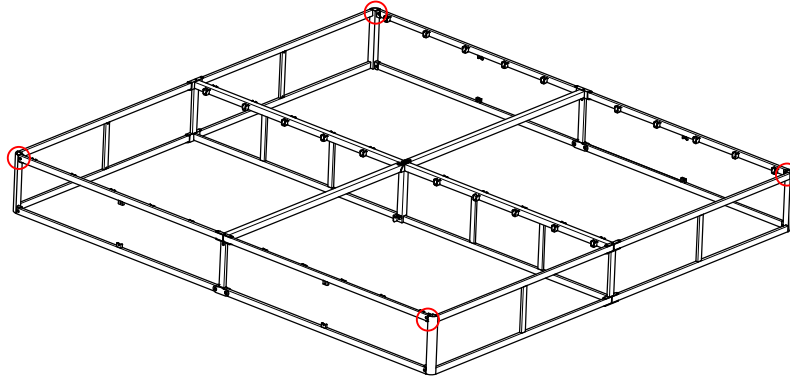


Detail

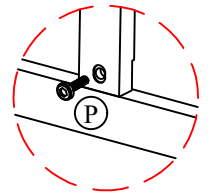
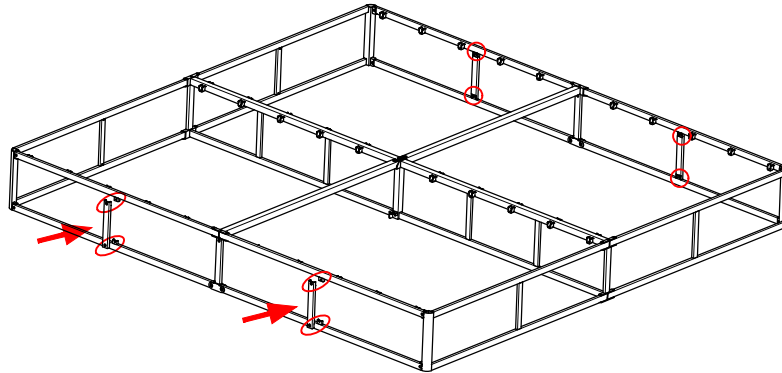
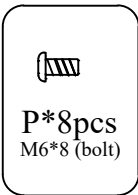
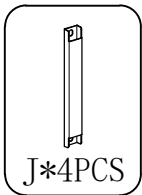
### Step3:



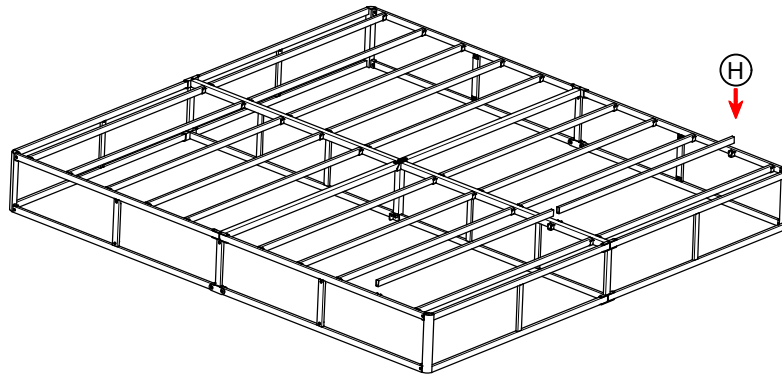
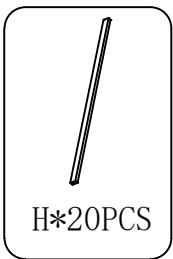
### Step4:



### Step5:

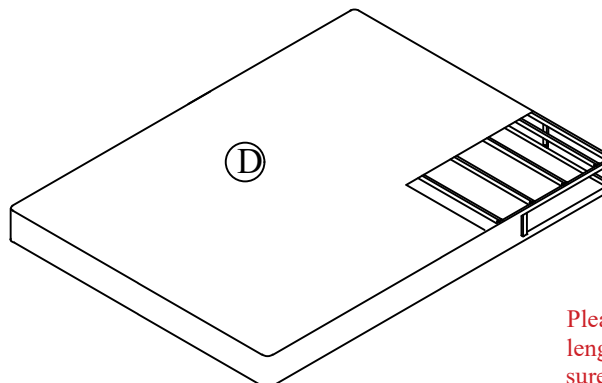
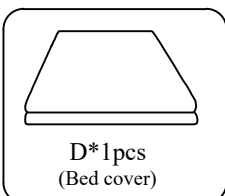


### Step6:



### Step7:

(Put on the fabric bedcover)



Please open the bed cover and distinguish the length and width first before use it, and make sure it will cover the box spring perfect.