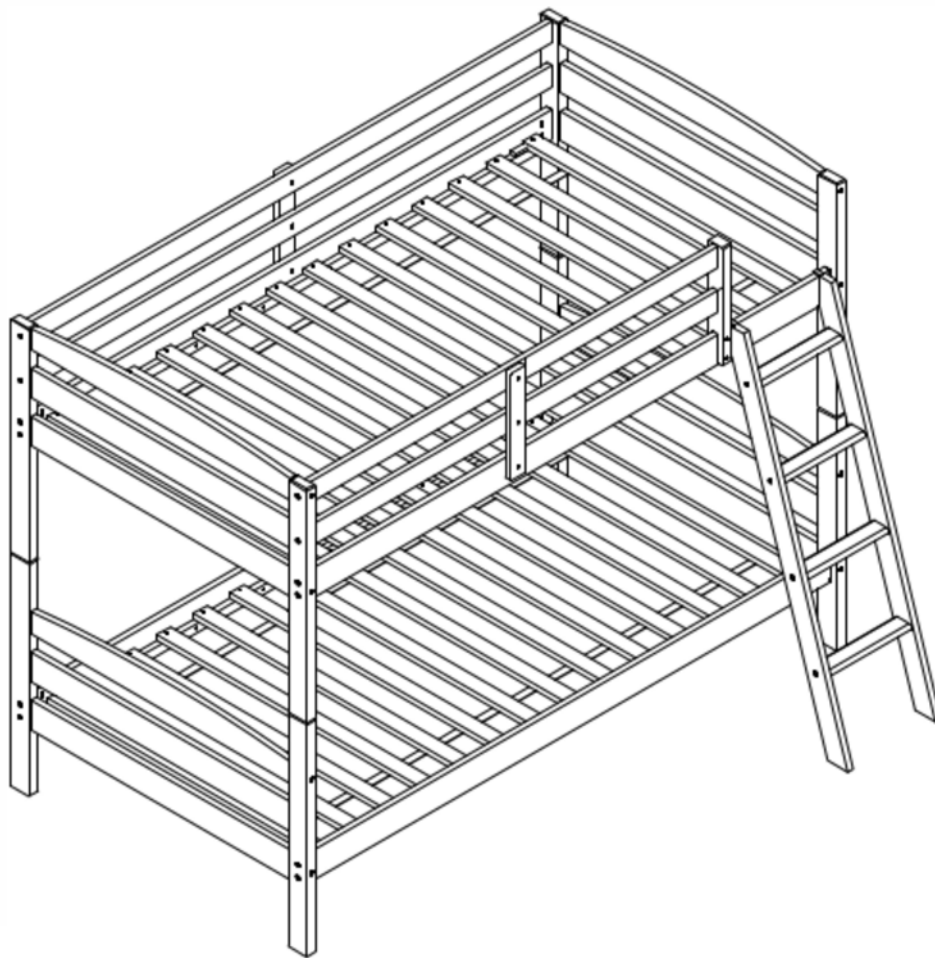


# ASSEMBLY INSTRUCTIONS



## TOOLS REQUIRED



Allen Wrench

(Included)



Screwdriver

(Not Included)



2 - People

## ASSEMBLY RATING



EASY —————> DIFFICULT

The Assembly Rating is a 5-point system showing the level of effort needed to assemble a specific product.



## **CHECK BEFORE STARTING**

### **Are you missing anything?**

Double-check all parts, hardware and accessories listed are all accounted for.

### **Check out our Quick Tips!**

We recommend reviewing the pre-assembly handouts. Even experts need a refresher now and then!

### **Should we send any replacements?**

Are there any irregularities or flaws in the parts? We can send replacements!

### **Prep Time!**

Please review the assembly instructions and all diagrams prior to assembling.

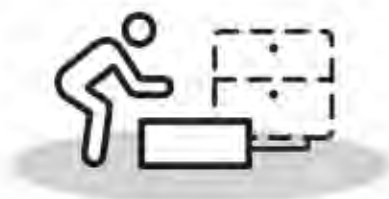
# PRE ASSEMBLY INTRODUCTION

We understand building ready-to-assemble furniture can be a challenging experience for some. To help avoid confusion, we have provided some helpful tips that may speed up the process.



## Teamwork

ALWAYS have at least two people to help with transporting and assembling the product to avoid potential injury and/or damage.



## Suitable Location

Assembling near the area of the intended location is highly recommended.



## Sufficient Space

Make sure you have enough space to move around during the assembly.



## Avoid Scratches

Use cardboard, blankets or a carpeted area while assembling furniture to prevent to prevent scratches and damages.



## Flat Surface

Make sure the furniture rests on a flat and level surface with each leg evenly touching the floor.

# ASSEMBLY AND CARE ADVICE



**FAILURE TO FOLLOW THE GUIDELINES BELOW MAY RESULT IN INJURY AND/OR PROPERTY DAMAGE.**



Position each part correctly and insert screws or bolts into their respective holes.



Use the appropriate hand tools or power tools for assembly. Select steps, such as tightening screws and/or bolts, may require hand tools to avoid causing damage during assembly.



Turn clockwise to tighten and only tighten when step is completed or when instructed to do so.



Save the instructions and store any supplied tools for later maintenance.



After two weeks, check and tighten any loose hardware and repeat again every six months thereafter.

**IT IS THE USER'S RESPONSIBILITY TO MAINTAIN THE FURNITURE. THE HARDWARE MAY LOOSEN OVER TIME AND MAY CAUSE THE FURNITURE TO BE WOBBLY AND UNABLE TO SUPPORT ITS INTENDED WEIGHT CAPACITY. THIS MAY LEAD TO COLLAPSE AND MAY CAUSE SERIOUS INJURY.**









# BUNK BED









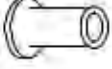

- Please keep instructions for future reference.
- Check the quantity and irregularity of parts and hardware before you start.

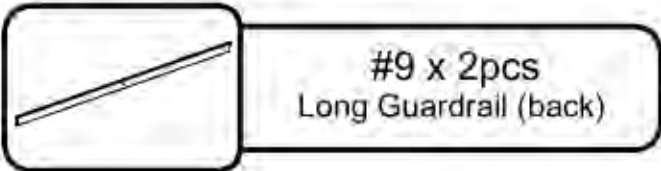


## Parts List

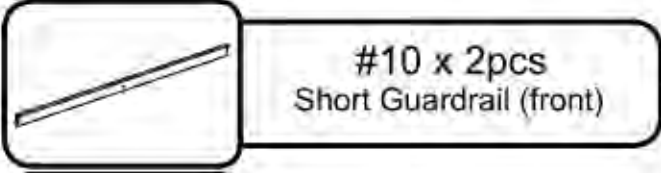
	#1 x 1pc Left Back Post
	#2 x 2pcs Left Front Post & Right Back Post
	#3 x 1pc Right Front Post
	#4 x 4pcs Upper Guardrail Headboard
	#5 x 8pcs Center Guardrail Headboard
	#6 x 4pcs Front Upper Side Rail
	#7 x 1pc Back Upper Side Rail
	#8 x 2pcs Front/ Back Lower Side Rail

## Hardware List

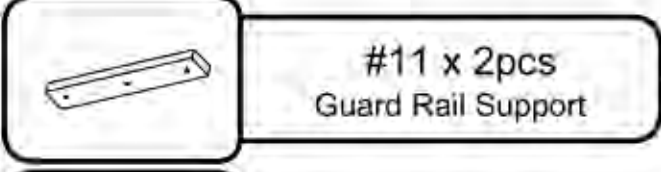
	#Ax 16pcs Bolt: Ø1/4" x 3-1/8"
	#Bx 24pcs Screw Bolt: Ø5/16" x 3-1/8"
	#Cx 10pcs Medium Bolt: Ø1/4" x 1-1/2"
	#Dx 6pcs Short Bolt: Ø1/4" x 1"
	#Ex 56pcs Long Screw: Ø5/32" x 1- 1/4"
	#Fx 4pcs Short Screw: Ø5/32" x 5/8"
	#G x 6pcs Bolt: Ø1/4" x 1"
	#H x 16pcs Wood Dowel: Ø3/8" x 1-1/8"



#9 x 2pcs  
Long Guardrail (back)



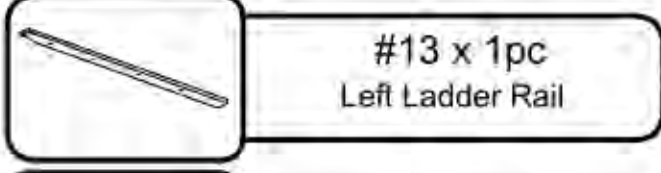
#10 x 2pcs  
Short Guardrail (front)



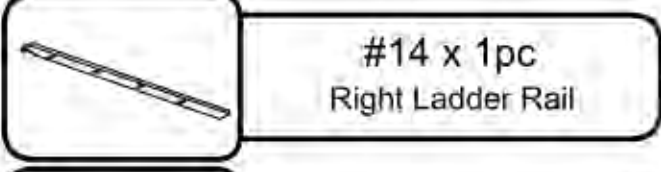
#11 x 2pcs  
Guard Rail Support



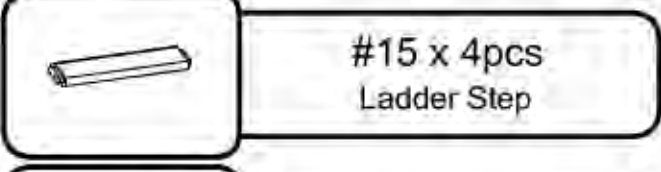
#12 x 1pc  
Attachment



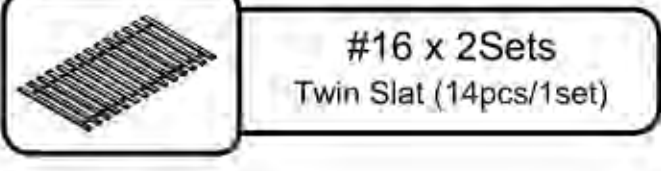
#13 x 1pc  
Left Ladder Rail



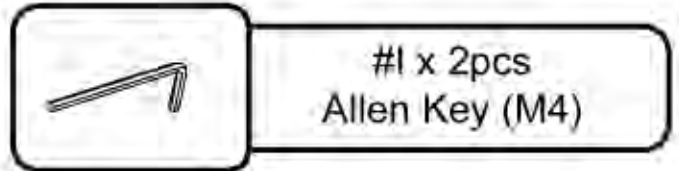
#14 x 1pc  
Right Ladder Rail



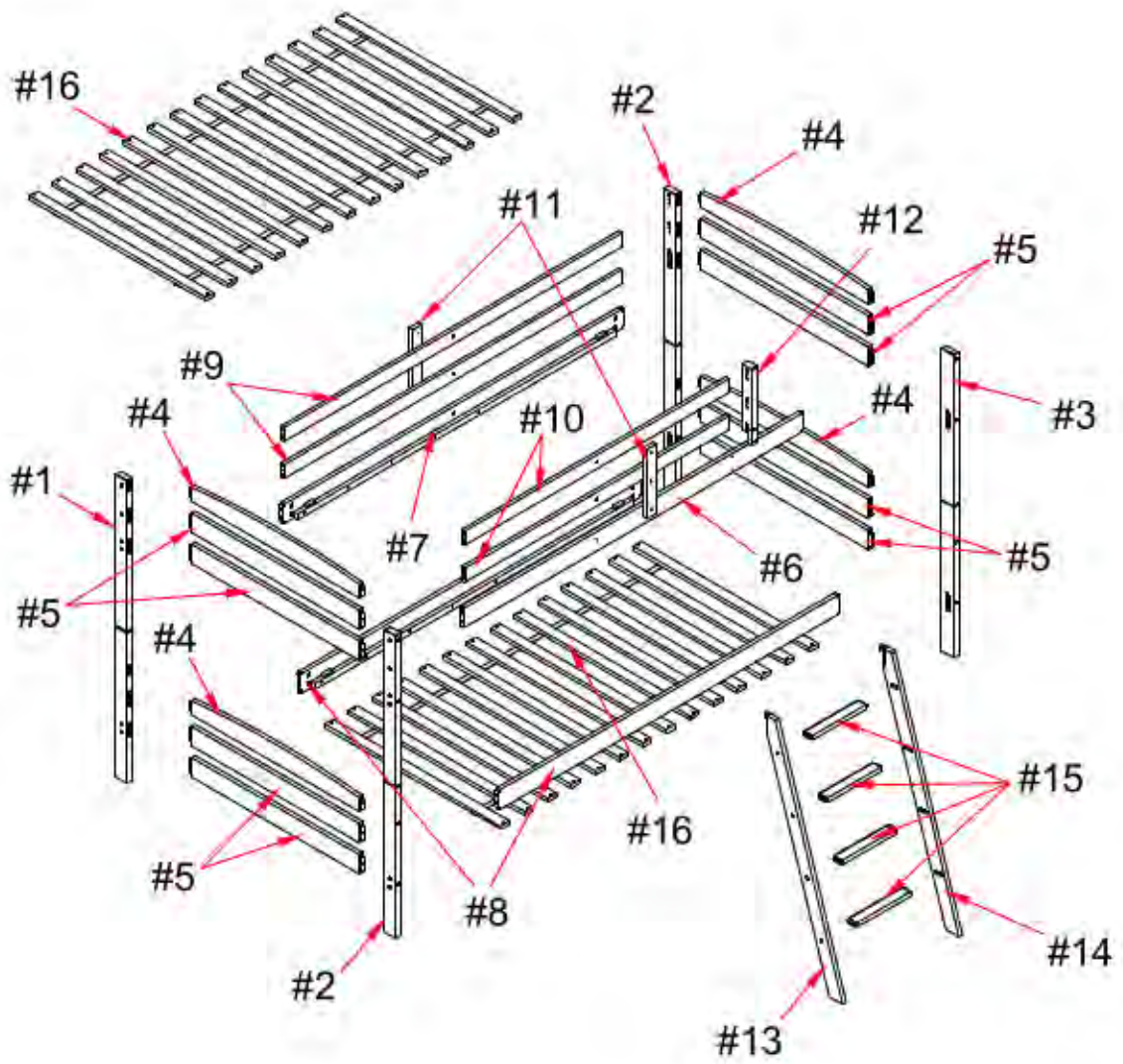
#15 x 4pcs  
Ladder Step



#16 x 2Sets  
Twin Slat (14pcs/1set)



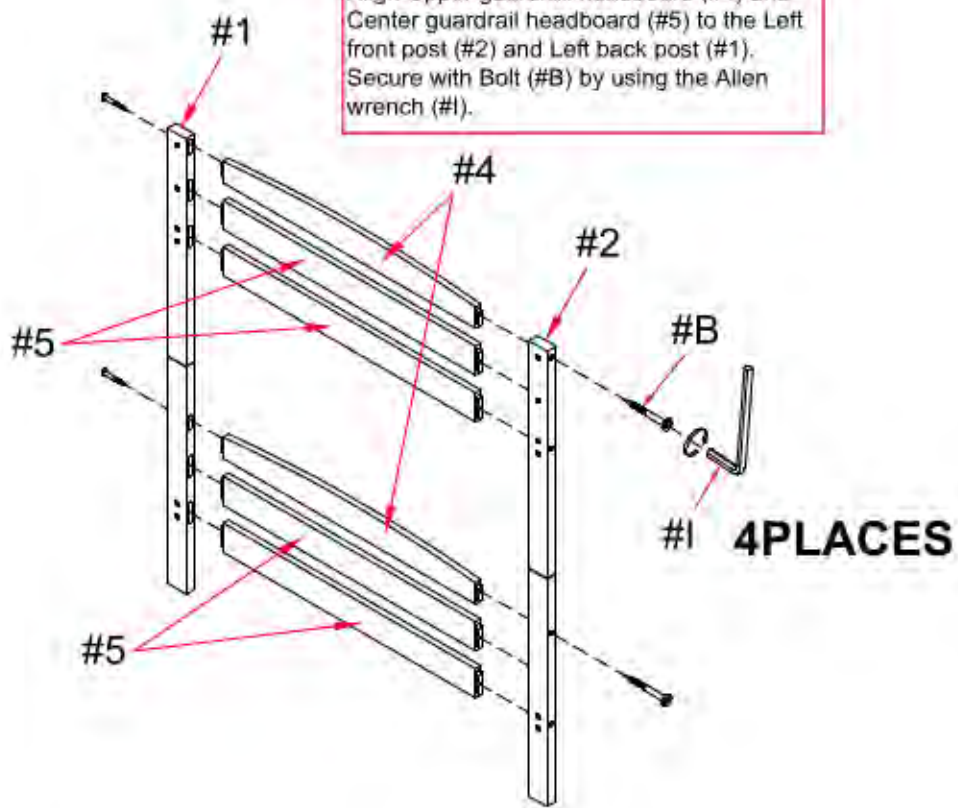
#1 x 2pcs  
Allen Key (M4)





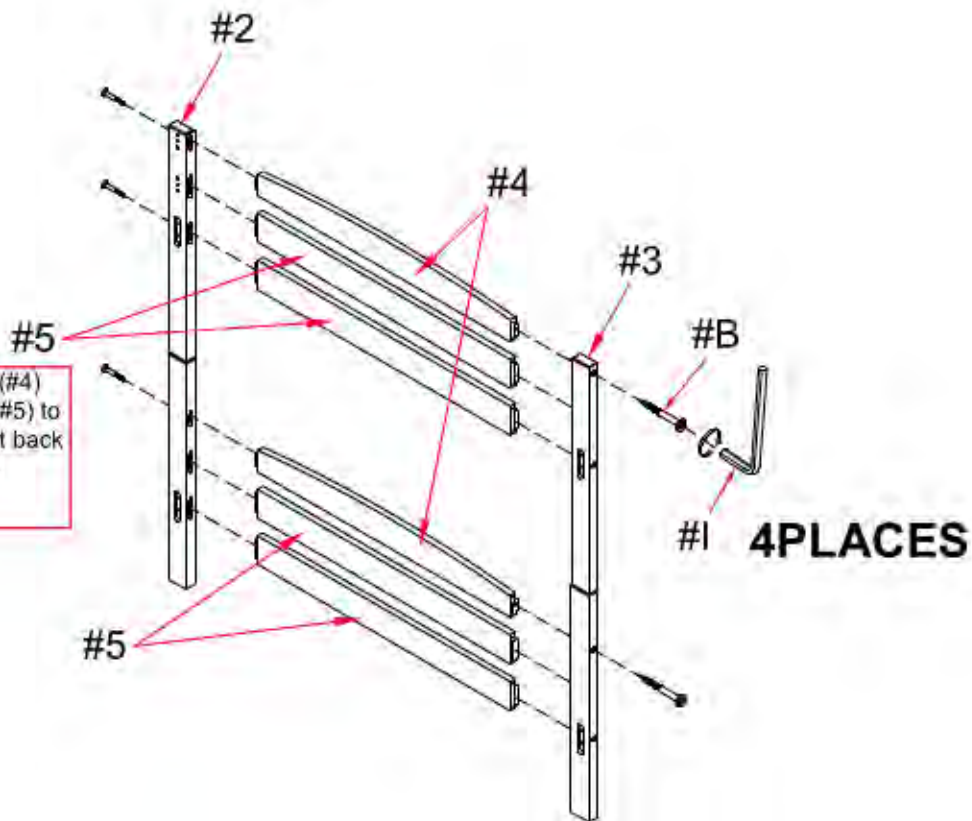
#Bx 4pcs

Align Upper guardrail headboard (#4) and Center guardrail headboard (#5) to the Left front post (#2) and Left back post (#1). Secure with Bolt (#B) by using the Allen wrench (#1).



#Bx 4pcs

Align Upper guardrail headboard (#4) and Center guardrail headboard (#5) to the Right front post (#3) and Right back post (#2). Secure using the Allen wrench (#1) and Bolt (#B).

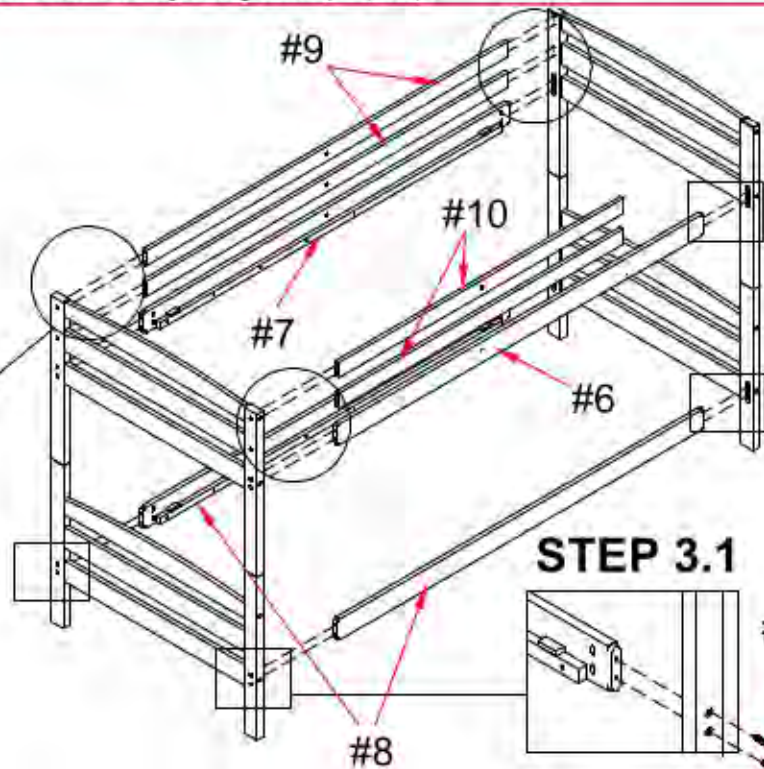
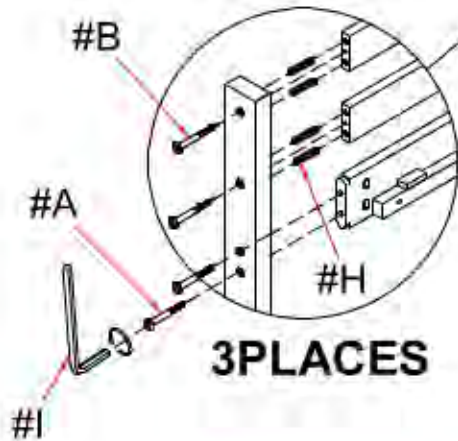




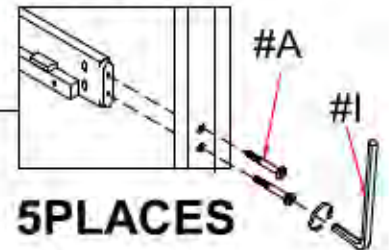
- I. Align Bottom rail (#8) to Left and Right heaboard. Secure using the Allen wrench (I) and Bolt (#A).
- II. Insert Wood dowel (#H) to long and short guardrail (#9,#10).
- III. Align Front upper rail (#6), Back upper rail (#7), Long guardrail (#9), and Short guardrail (#10) to left and right heaboard. Secure by using bolts (#A, #B).

- #Ax 16pcs
- #Bx 6pcs
- #Hx 12pcs

**STEP 3.2**



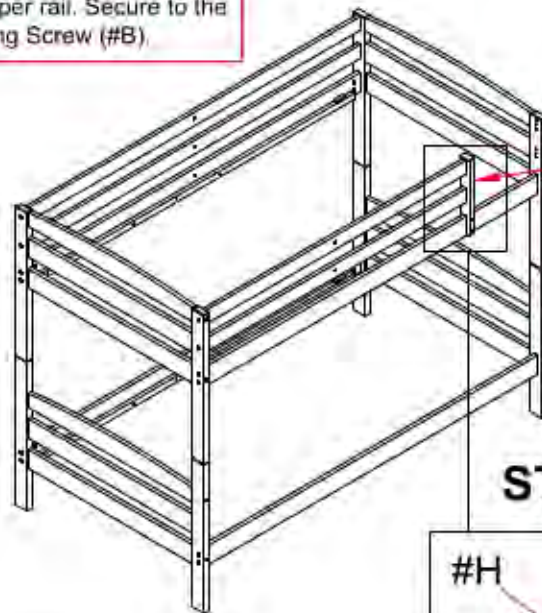
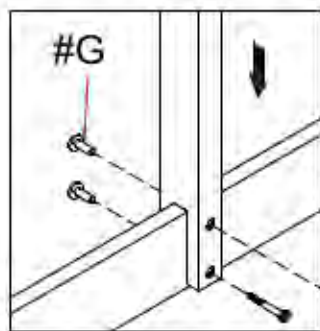
**STEP 3.1**



- I. Insert wood dowel (#H) to Attachment (#12). Align attachment (#12) to the short guardrail and front upper rail. Secure to the short guardrail by using Screw (#B).

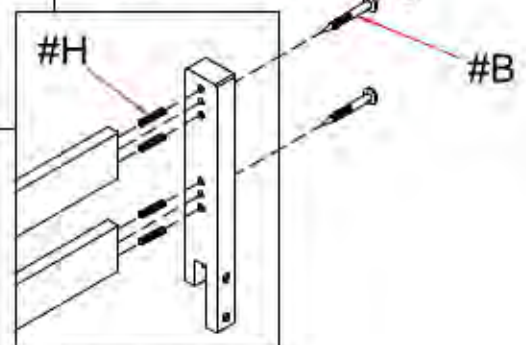
- #Bx 2pcs
- #Cx 2pcs
- #Hx 4pcs
- #Gx 2pcs

**STEP 4.2**



- II. Secure Attachment (#12) at the Front upper rail by using Bolt (#C) and threaded insert (#G).

**STEP 4.1**



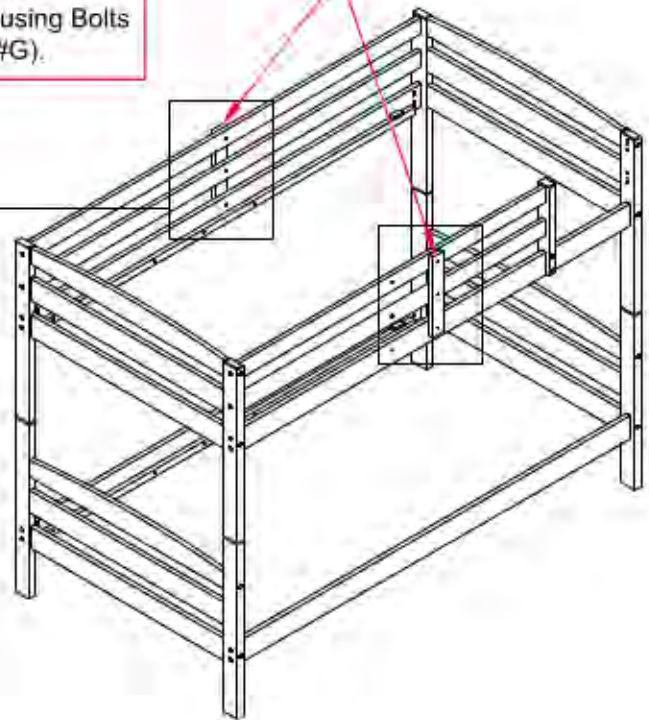
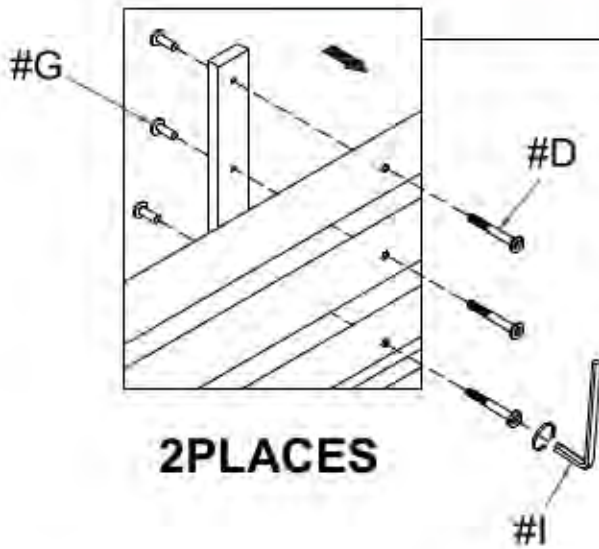


#5

#D x 6pcs  
#G x 6pcs

Align Guardrail support (#11) to the Long guardrail (#9) and Short guardrail (#10). secure by using Bolts (#D) and threaded insert (#G).

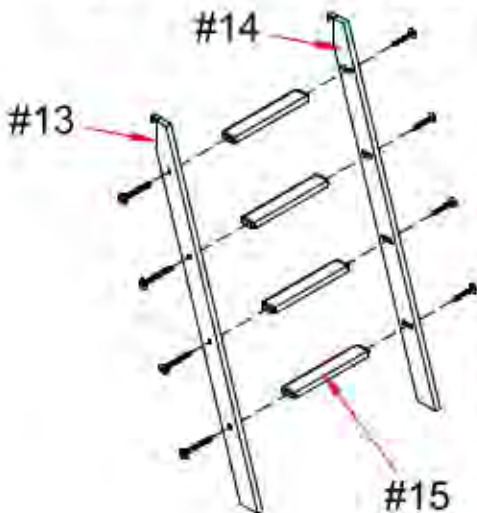
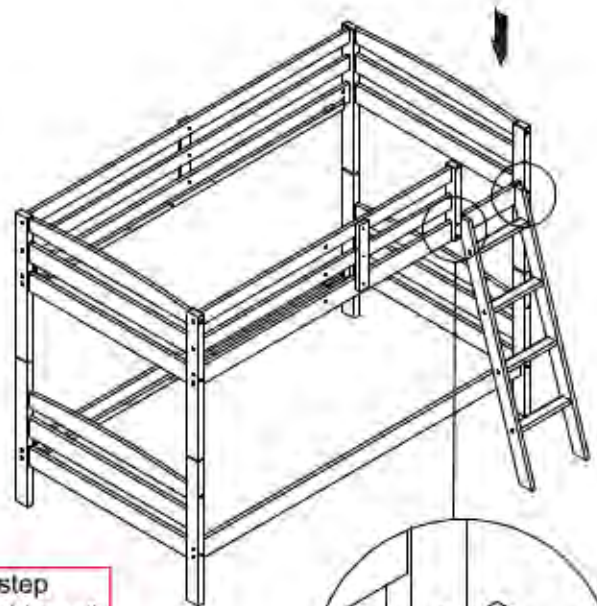
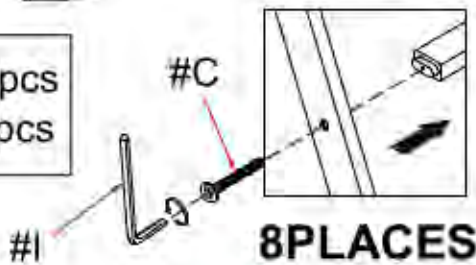
#11



#6

**STEP 6.1**

#C x 8pcs  
#F x 4pcs



I. Align ladder step (#15) to Left ladder rail (#13) and Right ladder rail (#14). Secure using Screw (#C).  
 II. Align ladder to bed and secure by using Screw (#F).

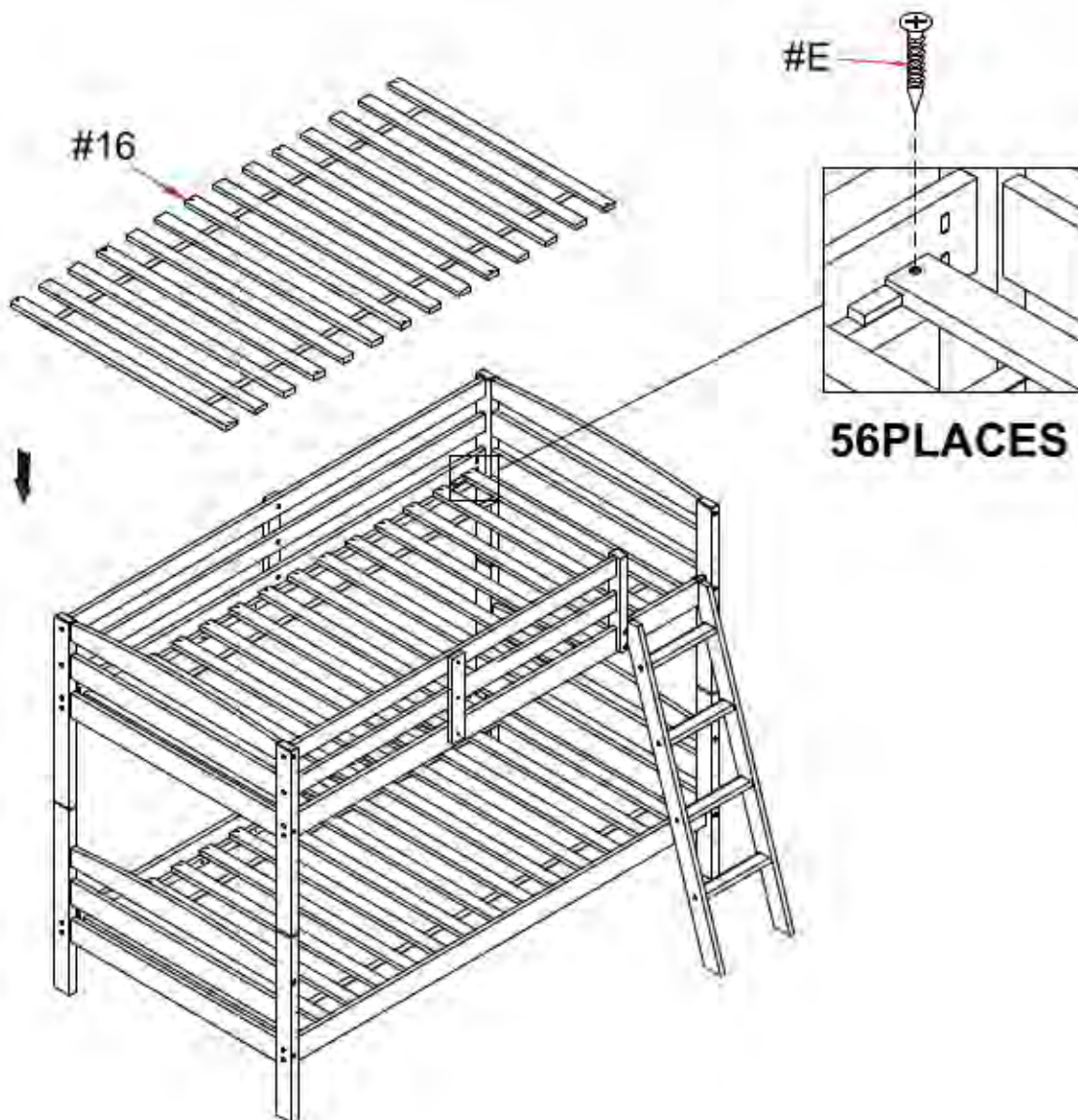
#F

**STEP 6.2 2PLACES**



#E x56pcs

Align slats (#16) to bed frames. Secure by using Screw (#E) and a Phillips screwdriver.

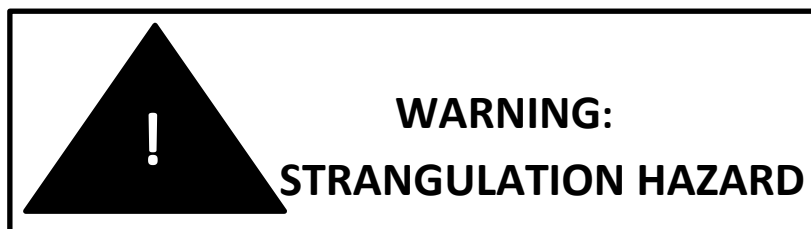




**ASSEMBLY IS NOW COMPLETED**

## Safety Warnings for Bunk Beds

1. Read and follow the information on the WARNING labels shown on the end structure of the upper bunk and on the carton.
2. Do not remove warning labels from the bed.
3. Keep these instructions for future use.
4. **IMPORTANT:** Must use Bunkie mattress or Bunkie board. The proper sizes for the UPPER/LOWER TWIN-SIZE Bunkie mattress or Bunkie board should be 74"- 75" long and 37 ½" - 38 ½" wide with no more than 6" thickness and for the UPPER/LOWER FULL -SIZE should be 74"-75" long and 53" – 54" wide with no more than 6" thickness.
5. Surface of mattress must be at least 5 inches (127 mm) BELOW the upper edge of the guardrails.
6. The **MAXIMUM** weight capacity for the upper bunk is not to exceed 150 lbs.
7. Do not allow children under 6 years of age to use the upper bunk.
8. Periodically check and ensure that the guardrails, ladder, handle and other components are in their proper position, free from damage, and that all connectors are tightened and secured.
9. **DO NOT** allow horseplay, rough playing, or jumping on the beds and do not allow playing or hiding under the beds.
10. Always use the ladder for entering or leaving the upper bunk.
11. Do not use substitute parts. Contact the manufacturer or dealer for replacement parts.
12. Use of a nightlight may provide added safety precaution for a person using the upper bunk.
13. Always use the guardrails on both sides of the upper bunk.
14. If the bunk bed will be placed next to a wall, the guardrail that runs the full length of the bed should be placed against the wall to prevent entrapment between the bed and the wall.
15. The use of water or sleep flotation mattresses is prohibited.
16. No more than one person is allowed on the upper bunk at all times.
17. Always use the recommended size mattresses or mattress supports, or both, to help prevent the like likelihood of entrapment or falls.



Objects such as, but not limited to, hanger, hooks, belts, bag, rope strings, etc. should not be hanged or used on or around the bunk bed.