









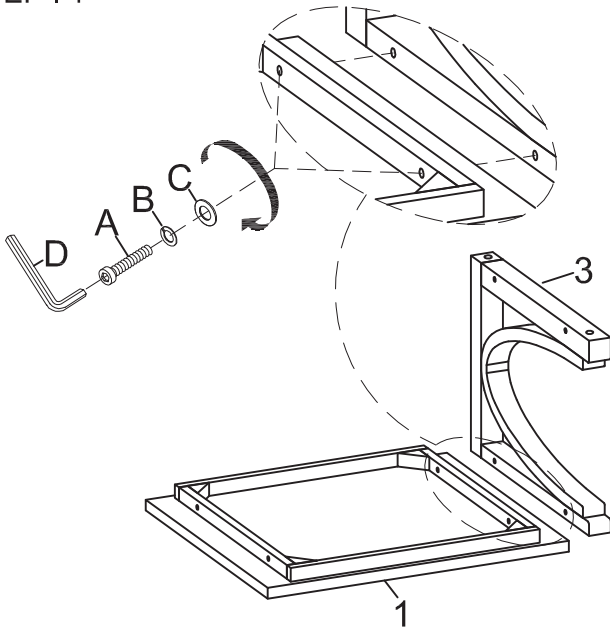
Assembly Instruction for END TABLE CXY2406-01-02-03

| No. | DESCRIPTION | SKETCH | Q'TY |
|-----|--------------|---|------|
| 1 | TOP |  | 1PC |
| 2 | BOTTOM PANEL |  | 1PC |
| 3 | LEFT LEG |  | 1PC |
| 4 | RIGHT LEG |  | 1PC |

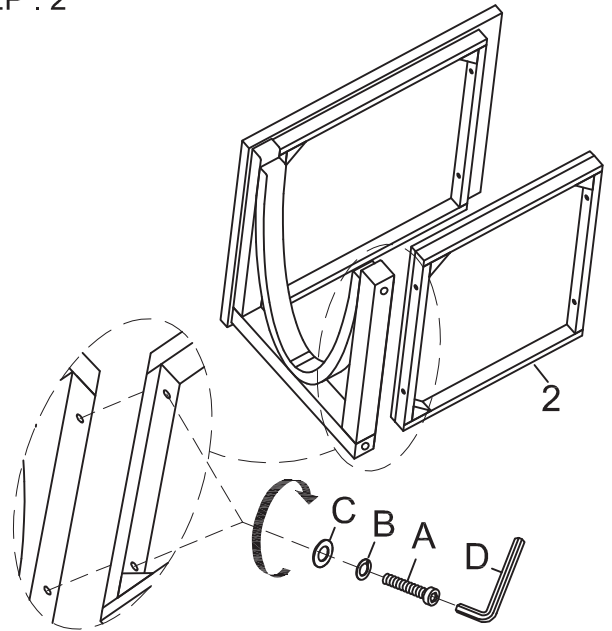
| HARDWARE LIST | | | | |
|---------------|---------------|---|---------------|----------|
| NO. | Name | Sketch | Specification | Quantity |
| A | BOLT |  | Ø5/16" x 38mm | 8PCS |
| B | SPRING WASHER |  | Ø5/16" | 8PCS |
| C | FLAT WASHER |  | Ø5/16"x19mm | 8PCS |
| D | ALLEN KEY |  | M5 | 1PC |

NOTES : Do not fully tighten any bolts until last step.

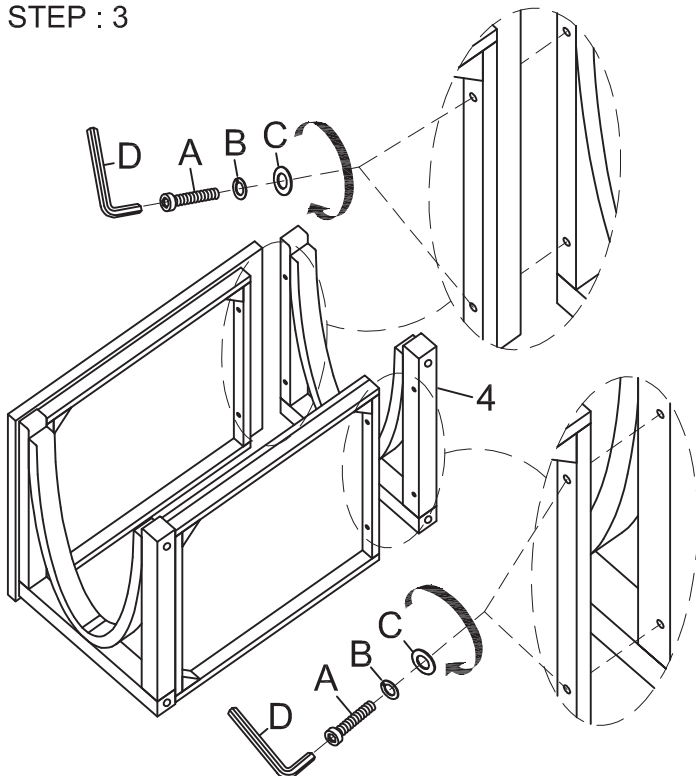
STEP : 1



STEP : 2



STEP : 3



COMPLETED

