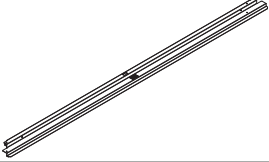
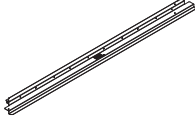
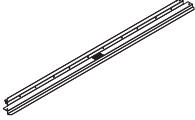
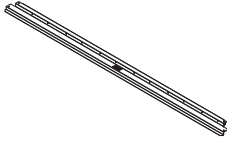
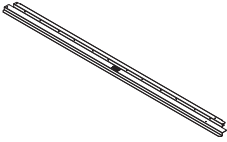
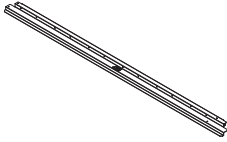
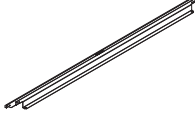
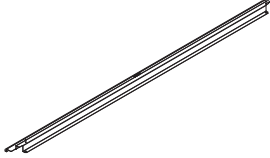
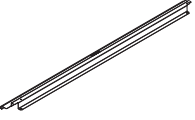
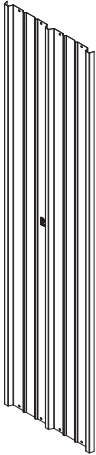



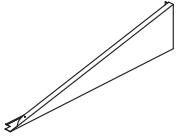
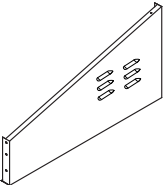
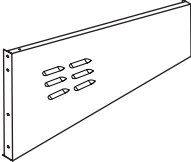
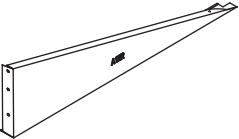


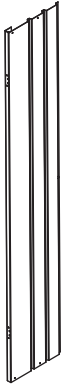



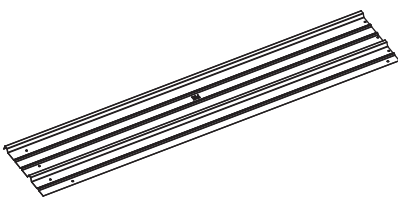
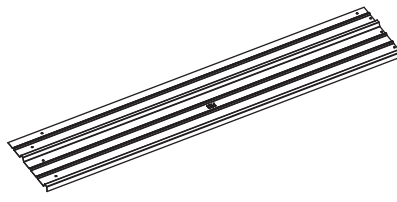
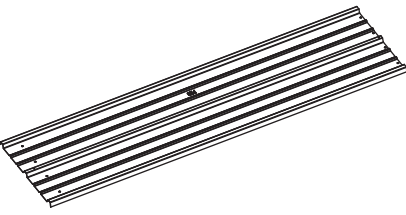
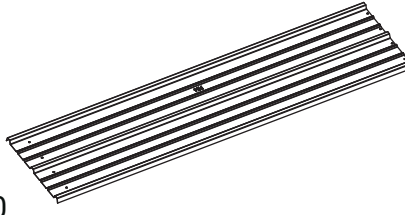
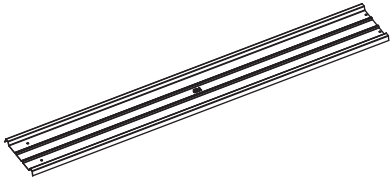
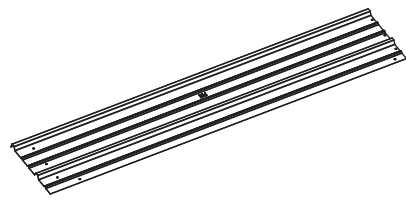
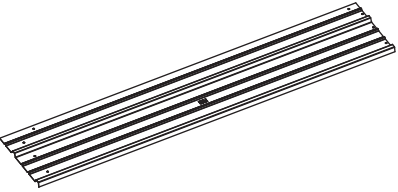
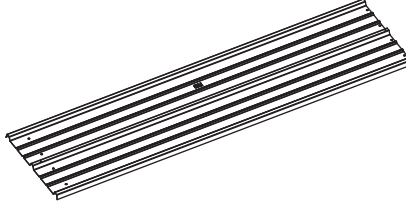
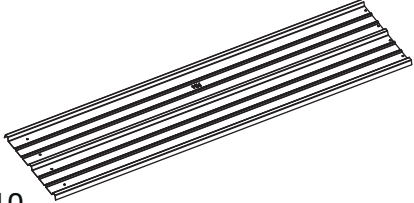
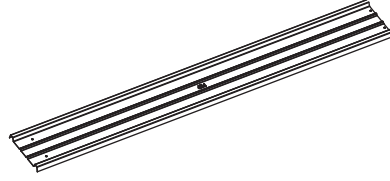
FOUNDATION

<p>BF1 X1</p> 	<p>BF1L X1</p> 
<p>BF1R X1</p> 	<p>BE5 X2</p> 
<p>BE6 X2</p> 	<p>BE7 X2</p> 
<p>BF2L X1</p> 	<p>BF2 X1</p> 
<p>BF2R X1</p> 	



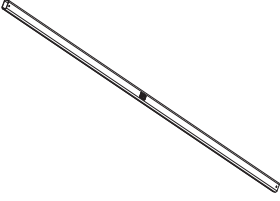
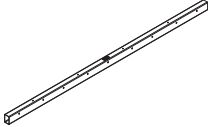
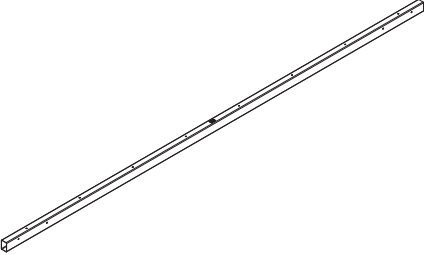
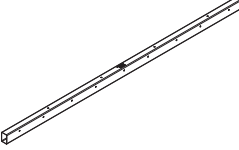
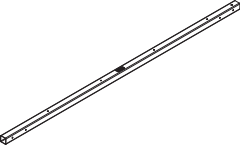
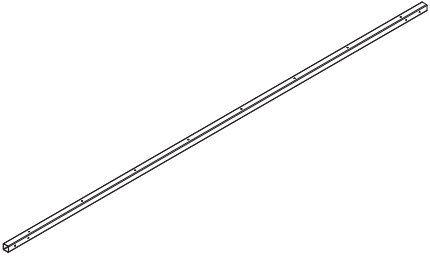
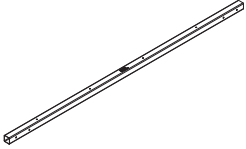
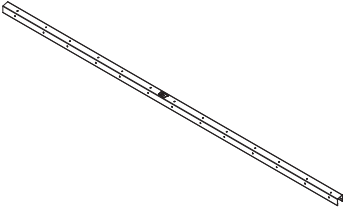
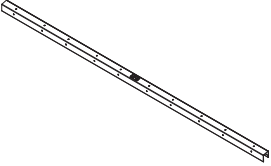
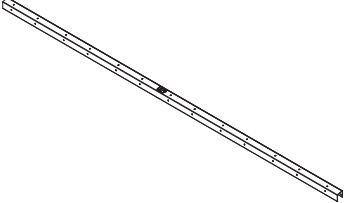
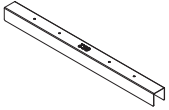
PLATES

 <p>W1A X28</p>	 <p>WS2A X4</p>	 <p>WS3A X3</p>	 <p>W3A X2</p>
 <p>A13L X2</p>	 <p>A13 X2</p>	 <p>A14 X2</p>	 <p>A14R X2</p>

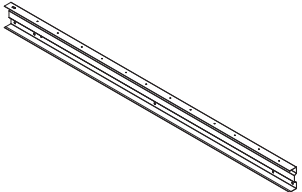
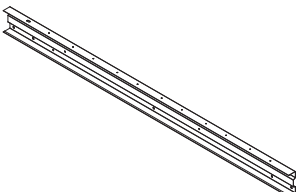
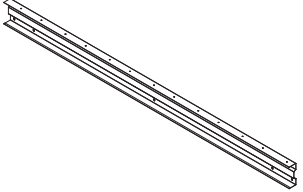

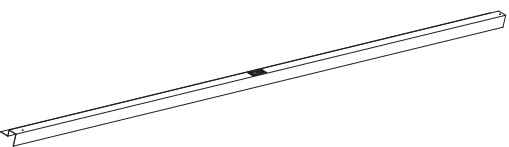
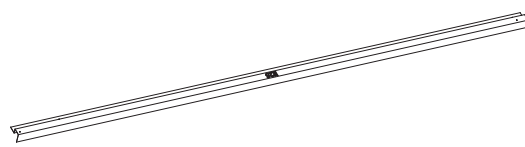

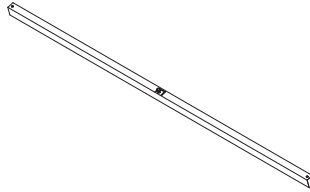
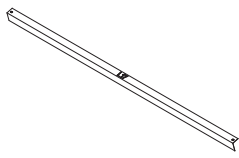
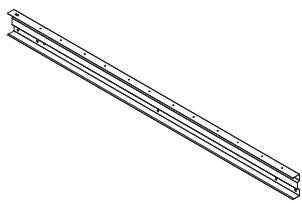
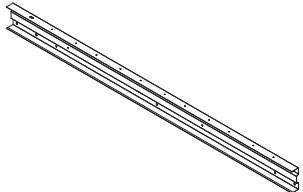
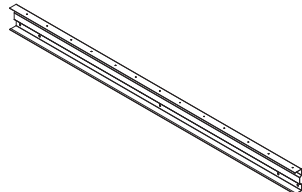
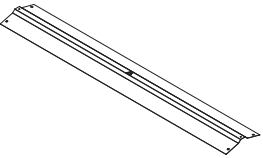
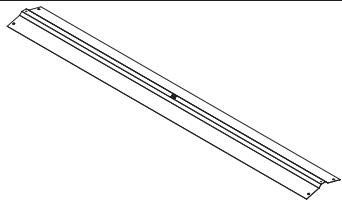
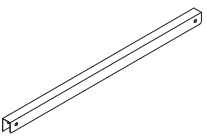
PLATES




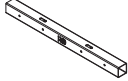
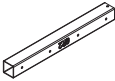
 <p>DLA X1</p>	 <p>DLB X1</p>	 <p>DRA X1</p>	 <p>DRB X1</p>
 <p>PF1 X2</p>	 <p>PF2 X2</p>	 <p>PF3 X4</p>	 <p>PF4 X10</p>
 <p>PF9 X2</p>	 <p>PF1B X2</p>	 <p>PF2B X2</p>	 <p>PF3B X4</p>
 <p>PF4B X10</p>	 <p>PF9B X2</p>		

STRIPS

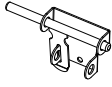



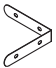



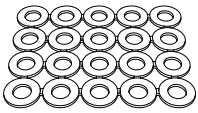
 <p>ULA X1</p>	 <p>UR1 X1</p>	 <p>DX2X4</p>
		 <p>UF1R X1</p>
 <p>UF1 X1</p>	 <p>UFIL X1</p>	
 <p>UF2R X1</p>	 <p>UF2 X1</p>	
 <p>UF2L X1</p>	 <p>UE7 X2</p>	
 <p>UE8 X2</p>	 <p>UE9 X2</p>	
 <p>GS1 X2</p>		

STRIPS

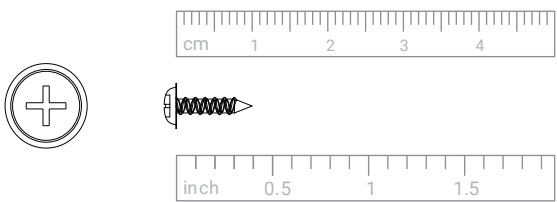
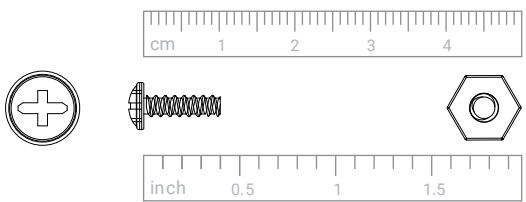
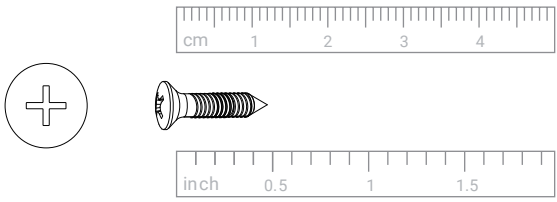
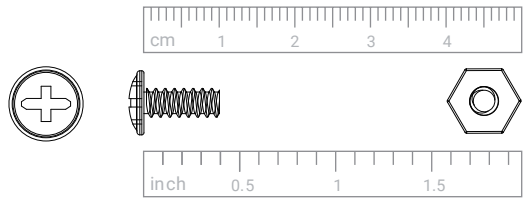
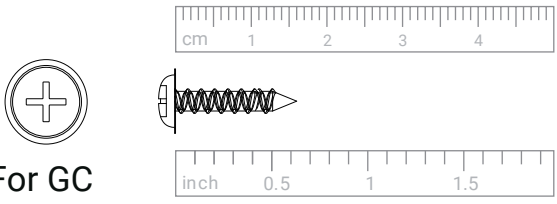
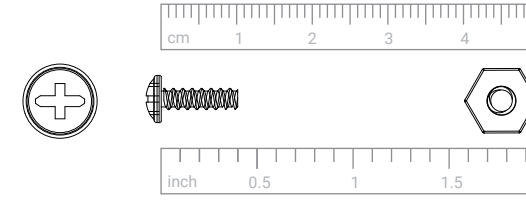
 <p>M16 X4</p>	 <p>M17X4</p>
 <p>M18 X4</p>	 <p>M26X2</p>
 <p>M26R X2</p>	 <p>M27X2</p>
 <p>M27L X2</p>	 <p>L16 X4</p>
 <p>L17X2</p>	 <p>M16AX2</p>
 <p>M17AX2</p>	 <p>M18AX2</p>
 <p>17 X1</p>	 <p>16 X2</p>
 <p>20 X4</p>	

 C10L X4	 C10R X4	 C8 X4	
 GR1 X4	 GR2X2		

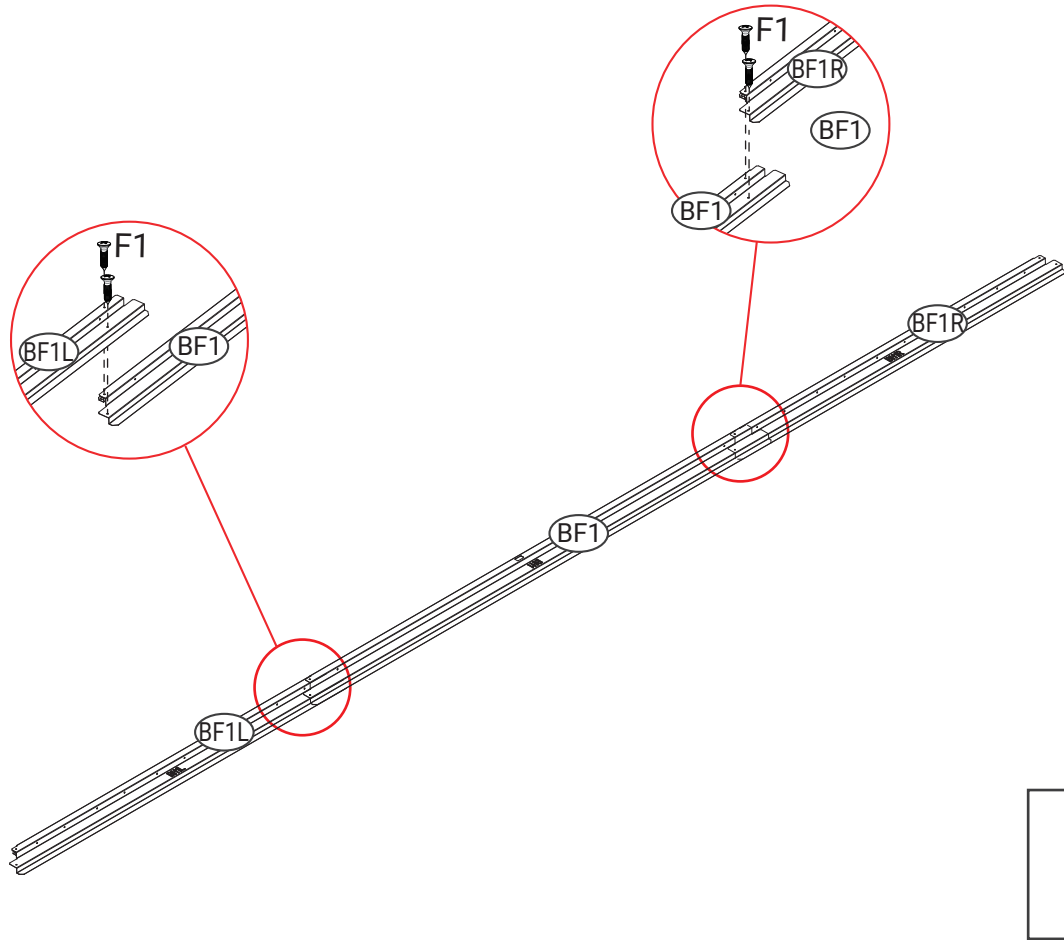
STANDARD

 DG X1	 DF X1	 DC X2	 DH X4
 C2 X4	 GC X4	 GE X2	 V1 X152
 V2 X542			

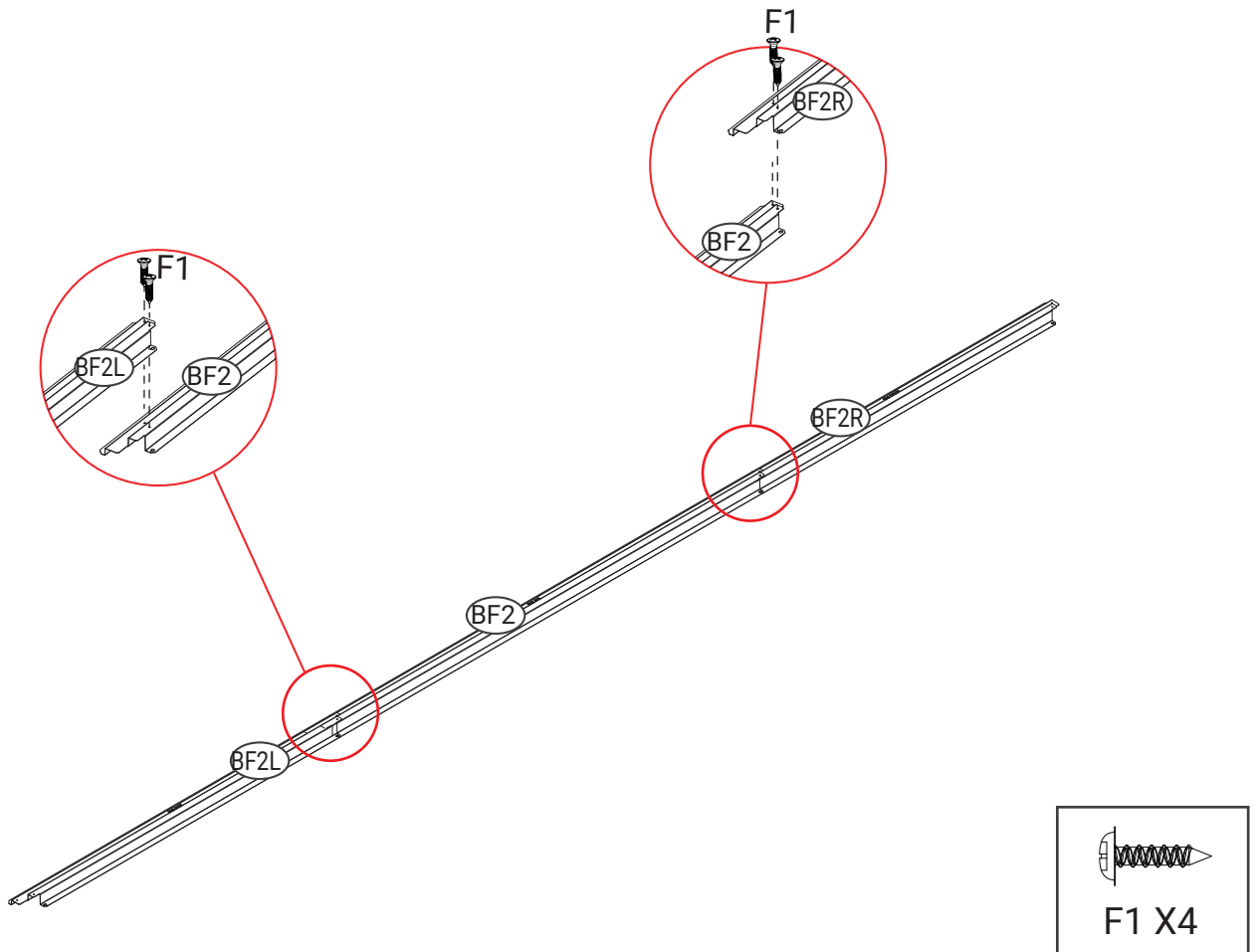
SCREW

 <p>F1(X690) M4*10</p>	 <p>F2(X82) M4*10</p>
 <p>F3(X32) M5*12</p>	 <p>F4(X5) M6*10</p>
 <p>For GC F5(X4) M4*16</p>	 <p>F6(X4) M4*16</p>

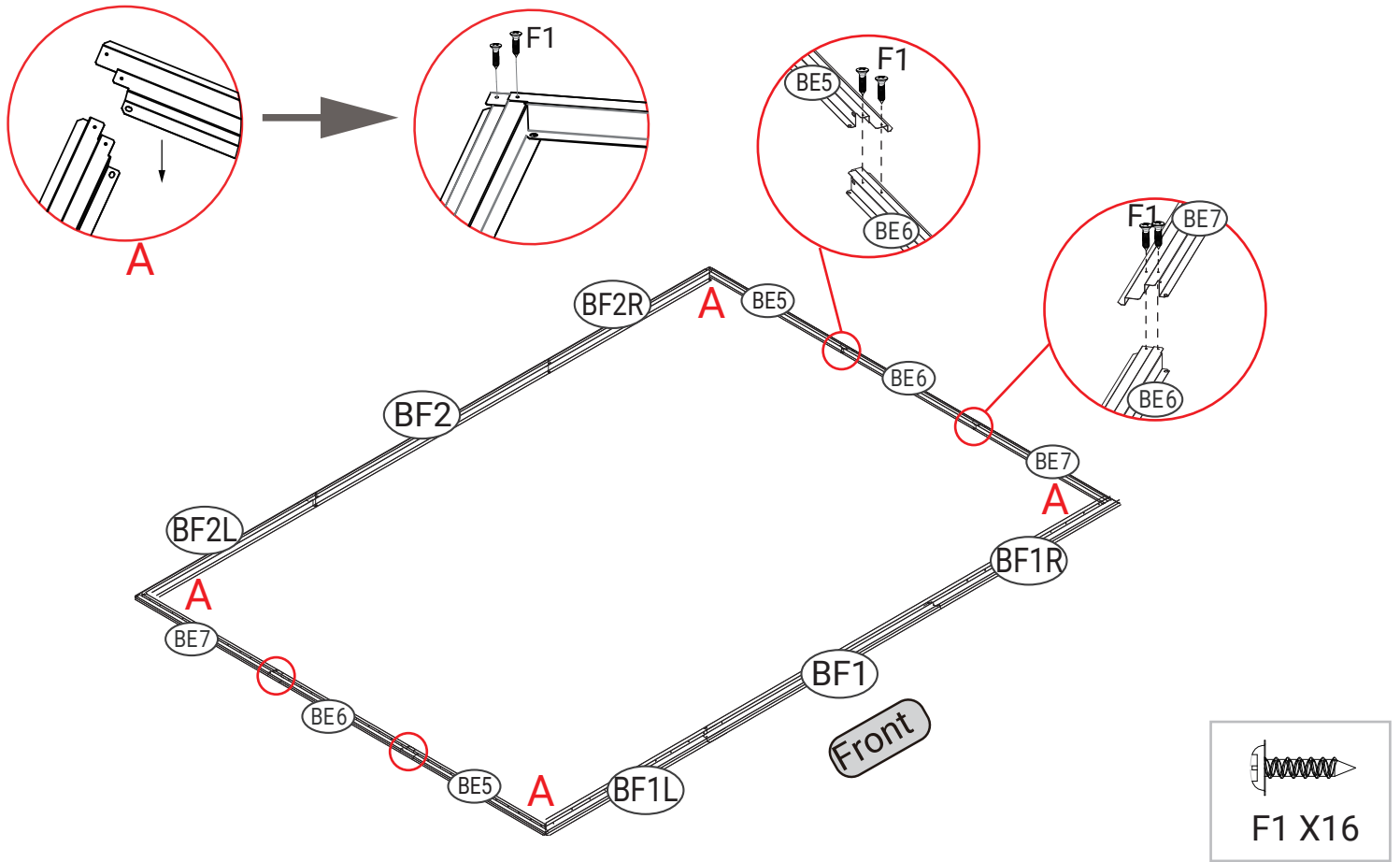
STEP 1



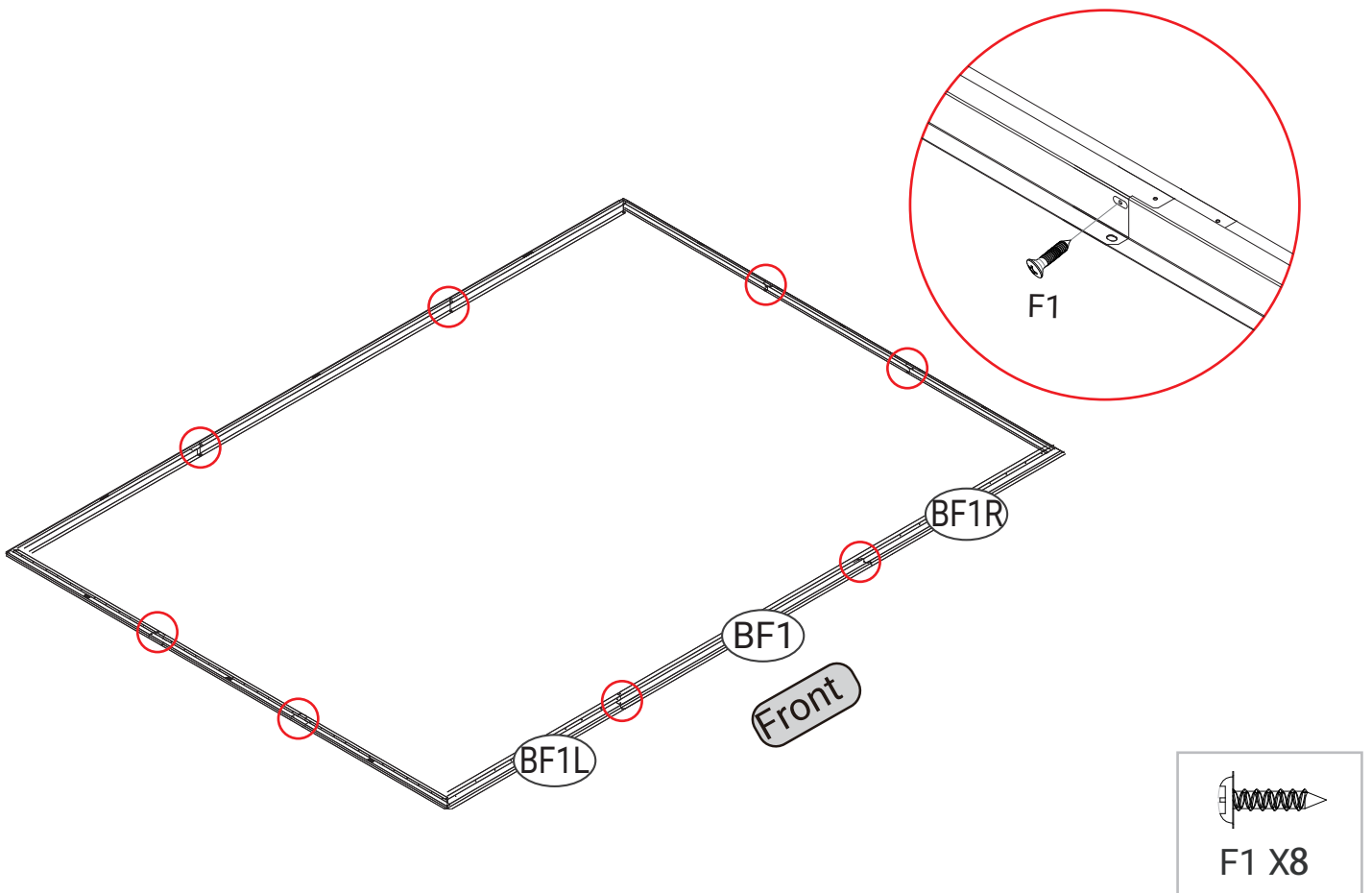
STEP 2



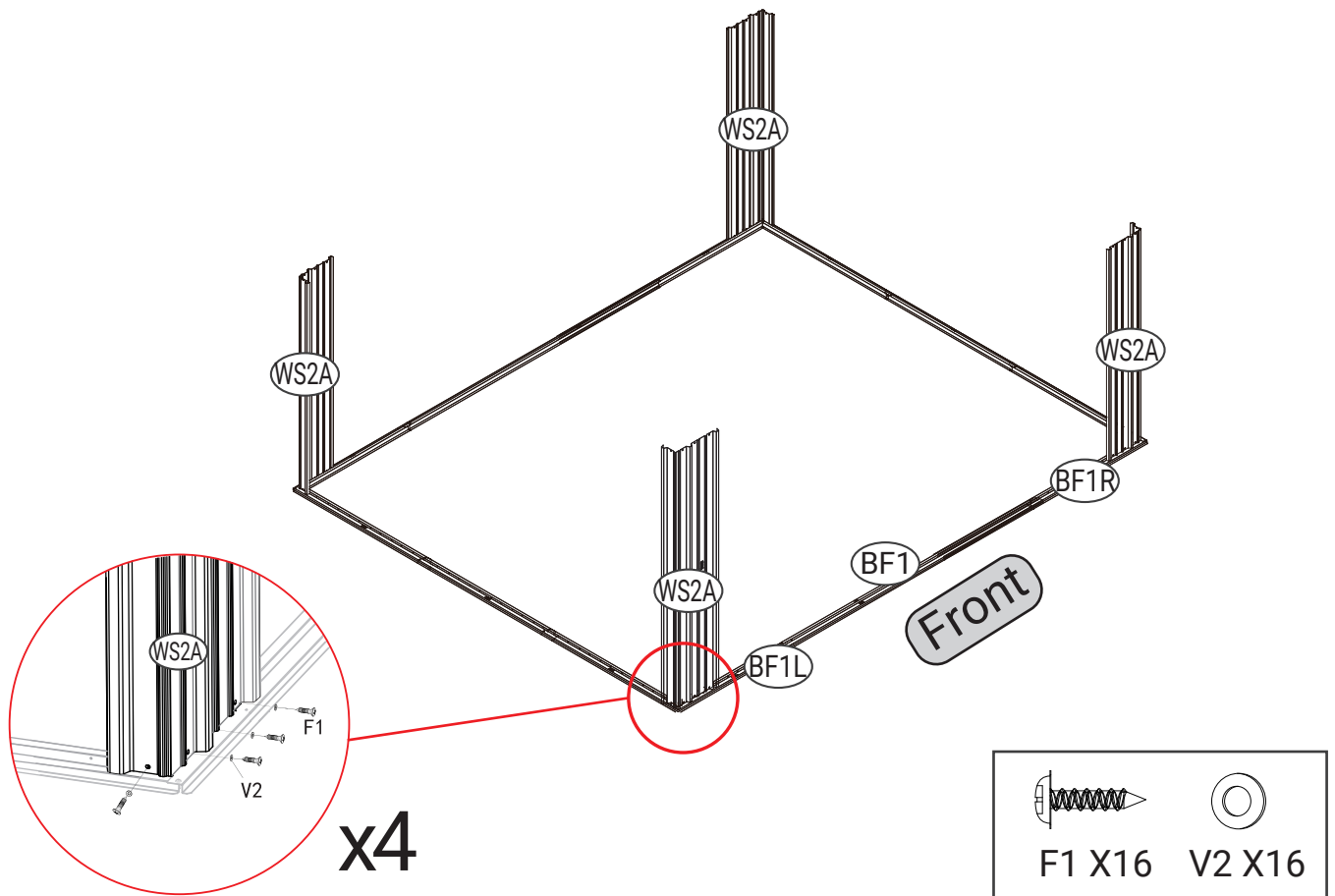
STEP 3



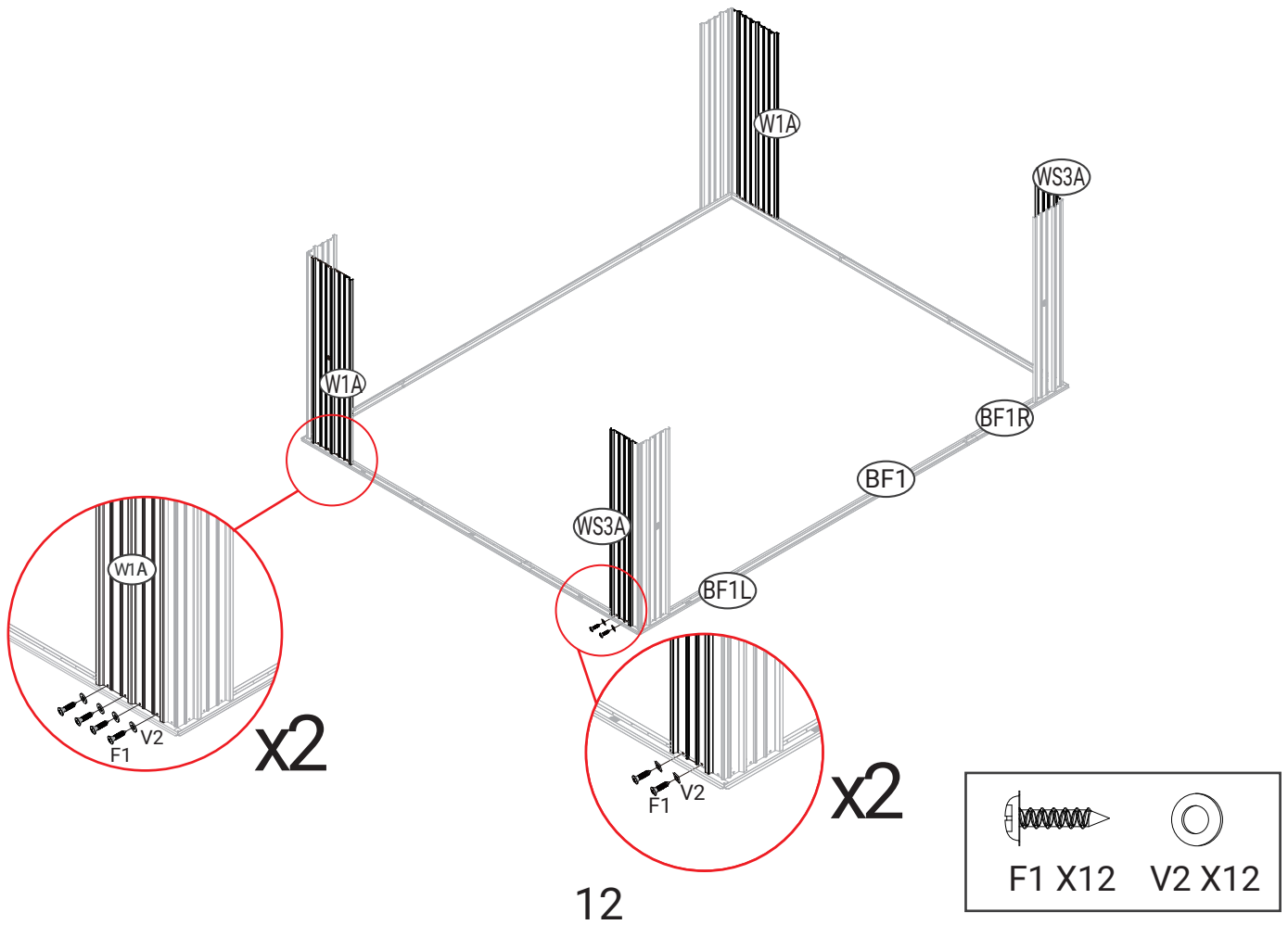
STEP 4



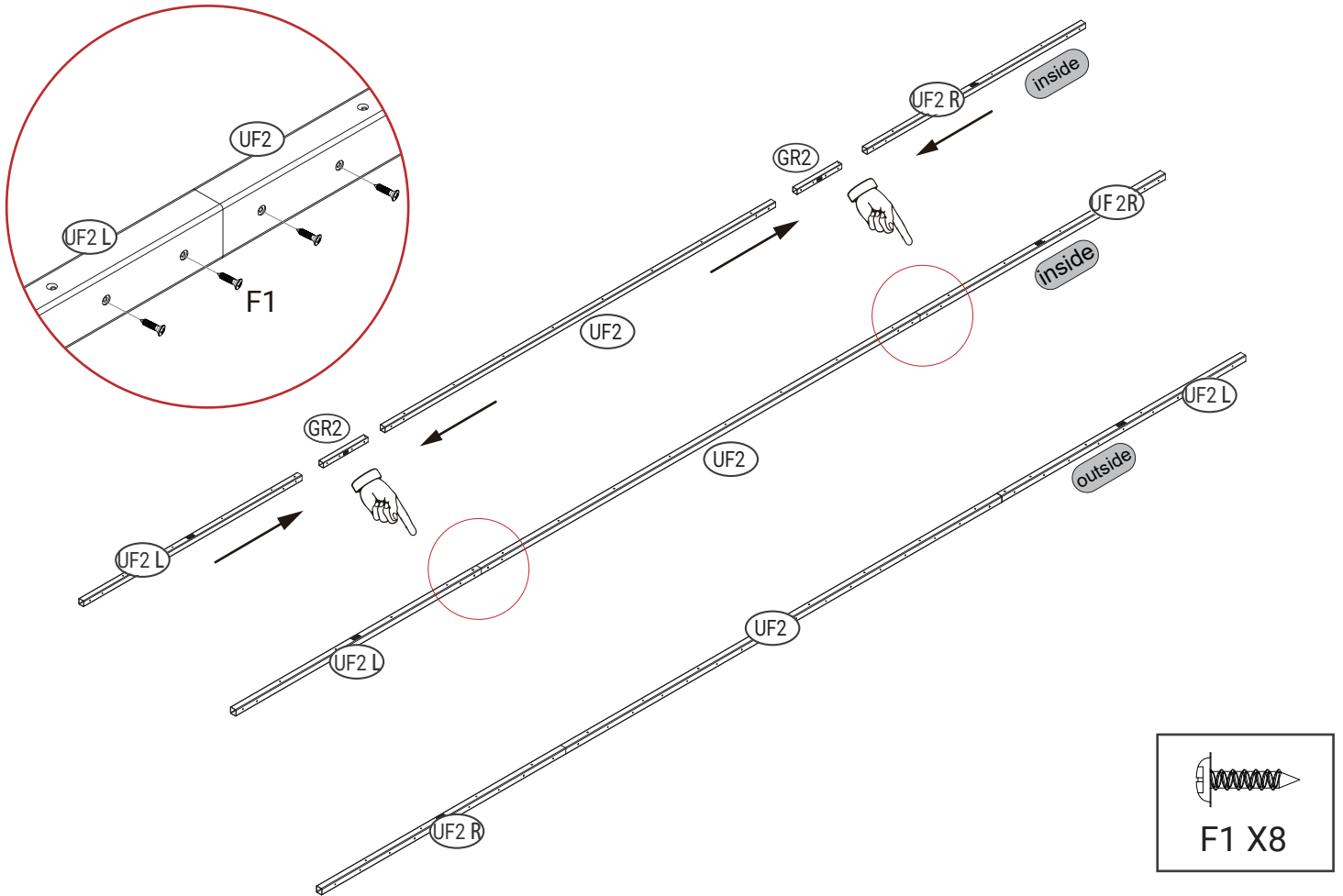
STEP 5



STEP 6

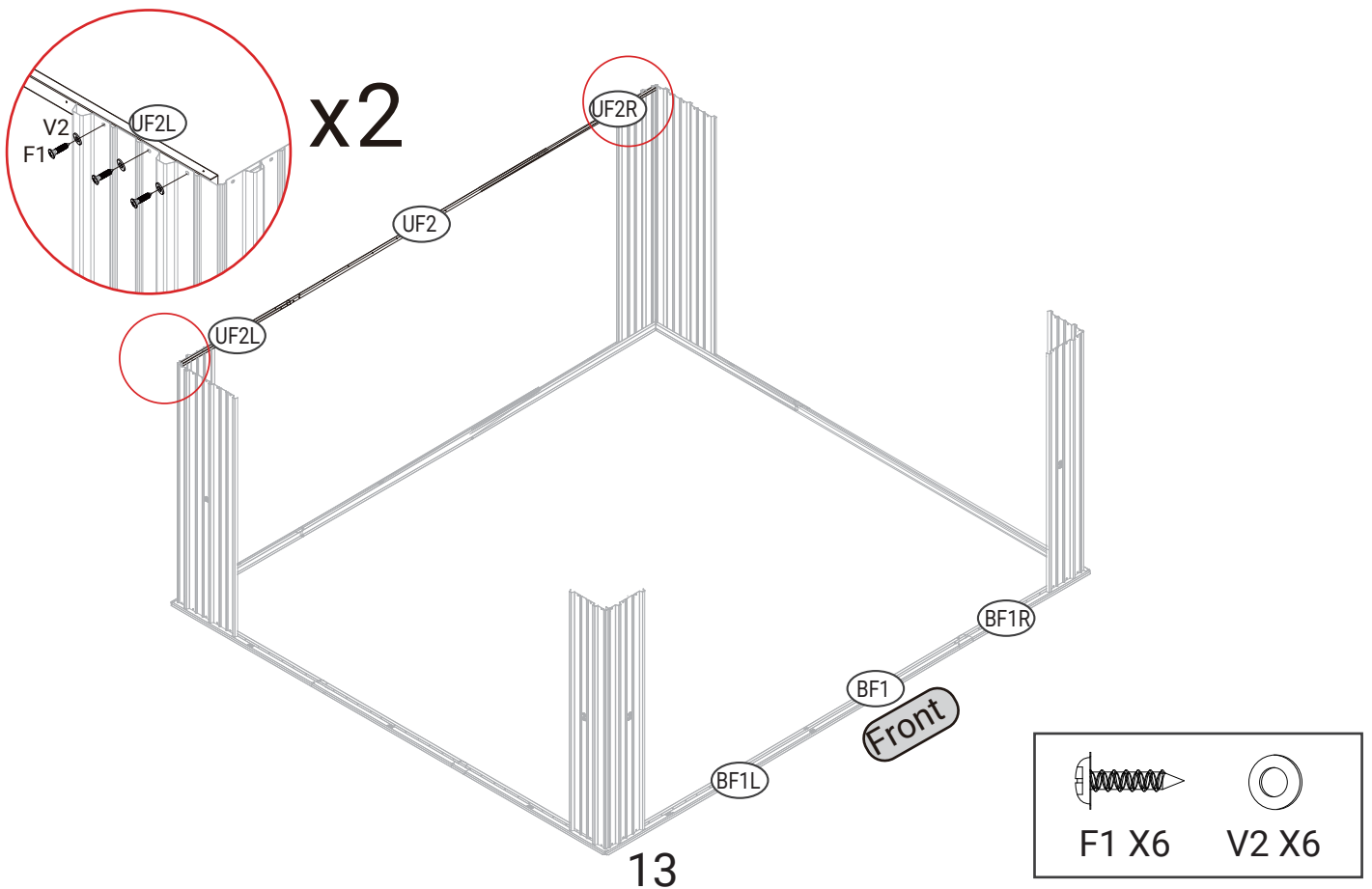


STEP 7

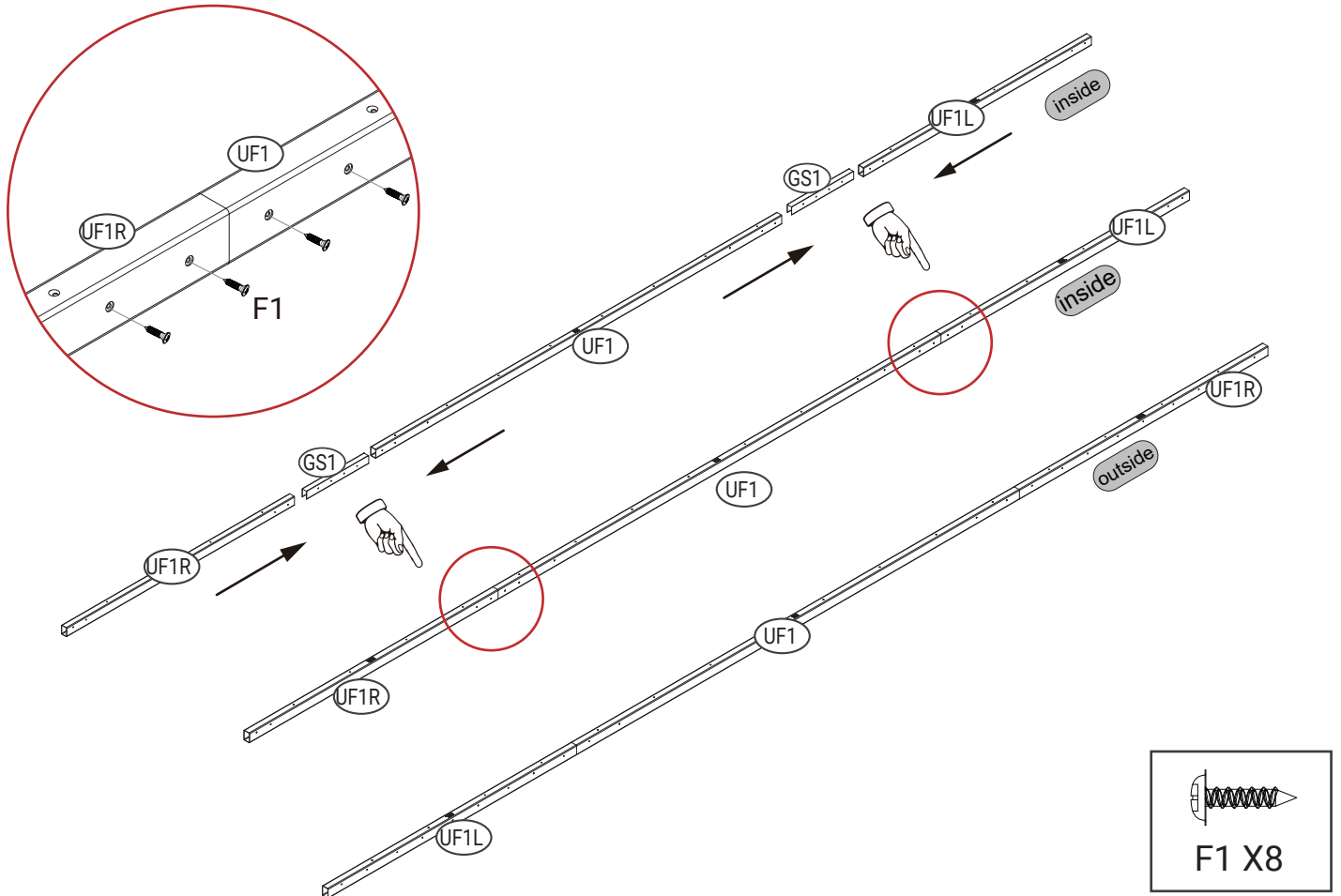


STEP 8

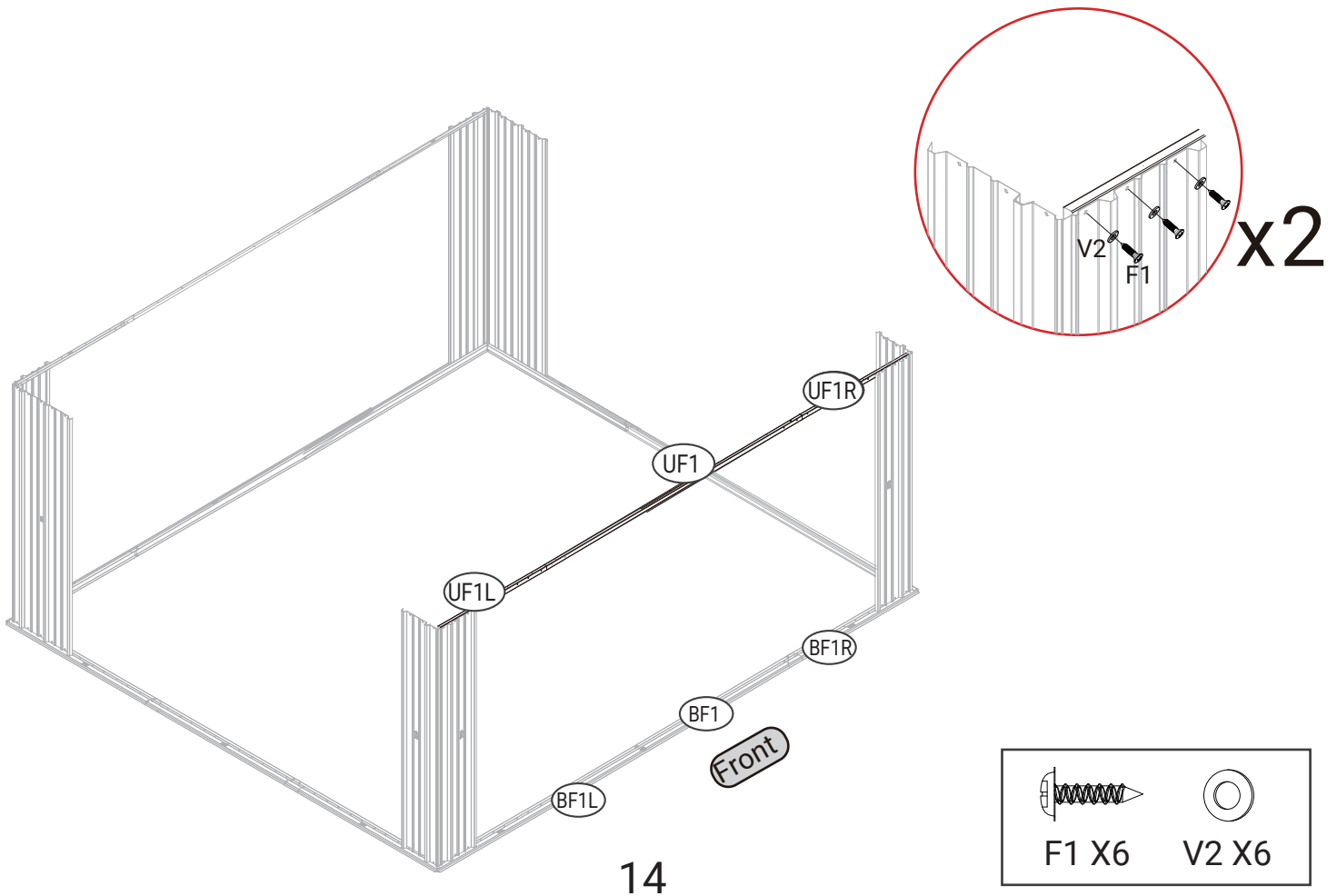
滚滚长江东逝水



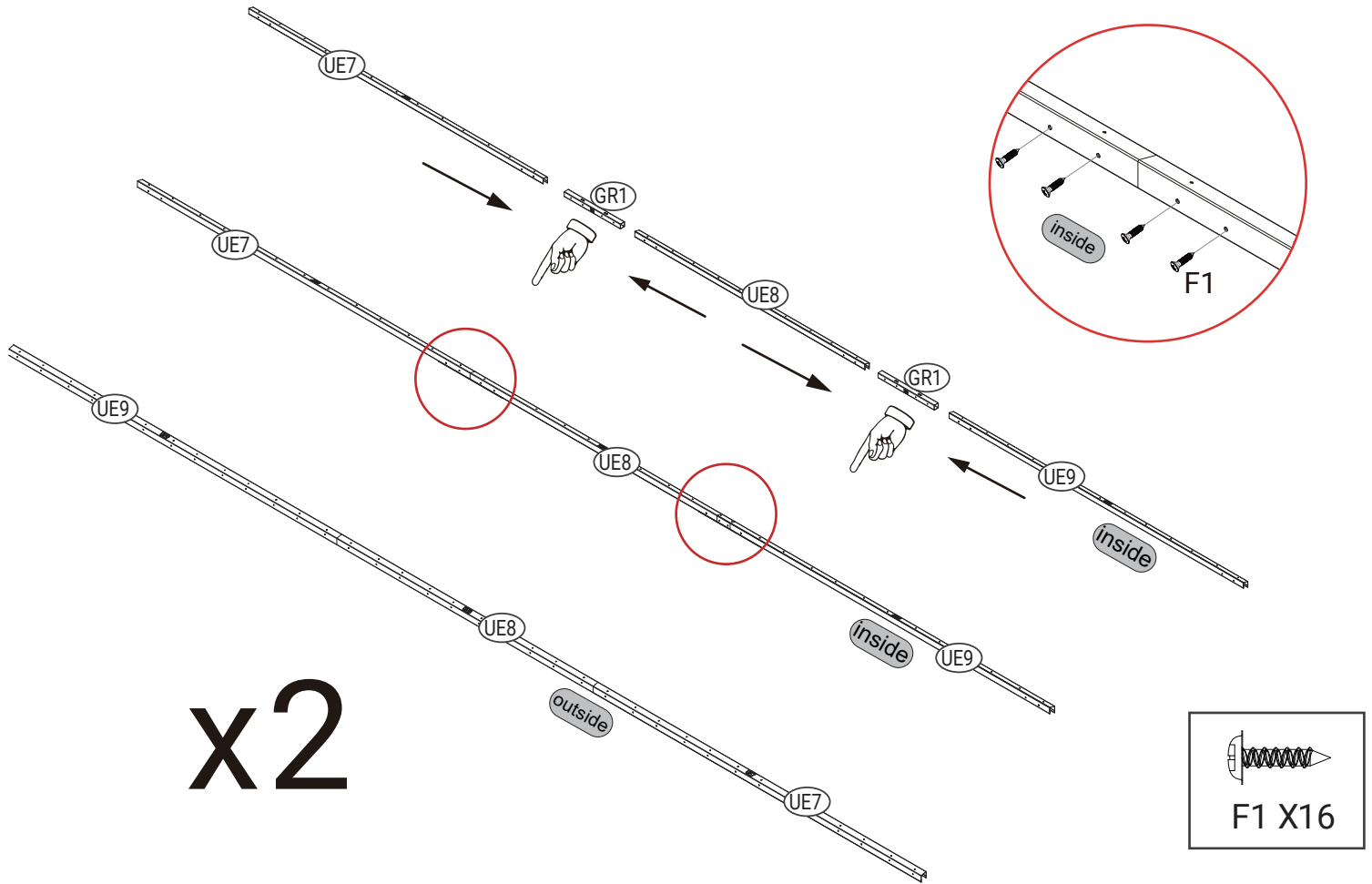
STEP 9



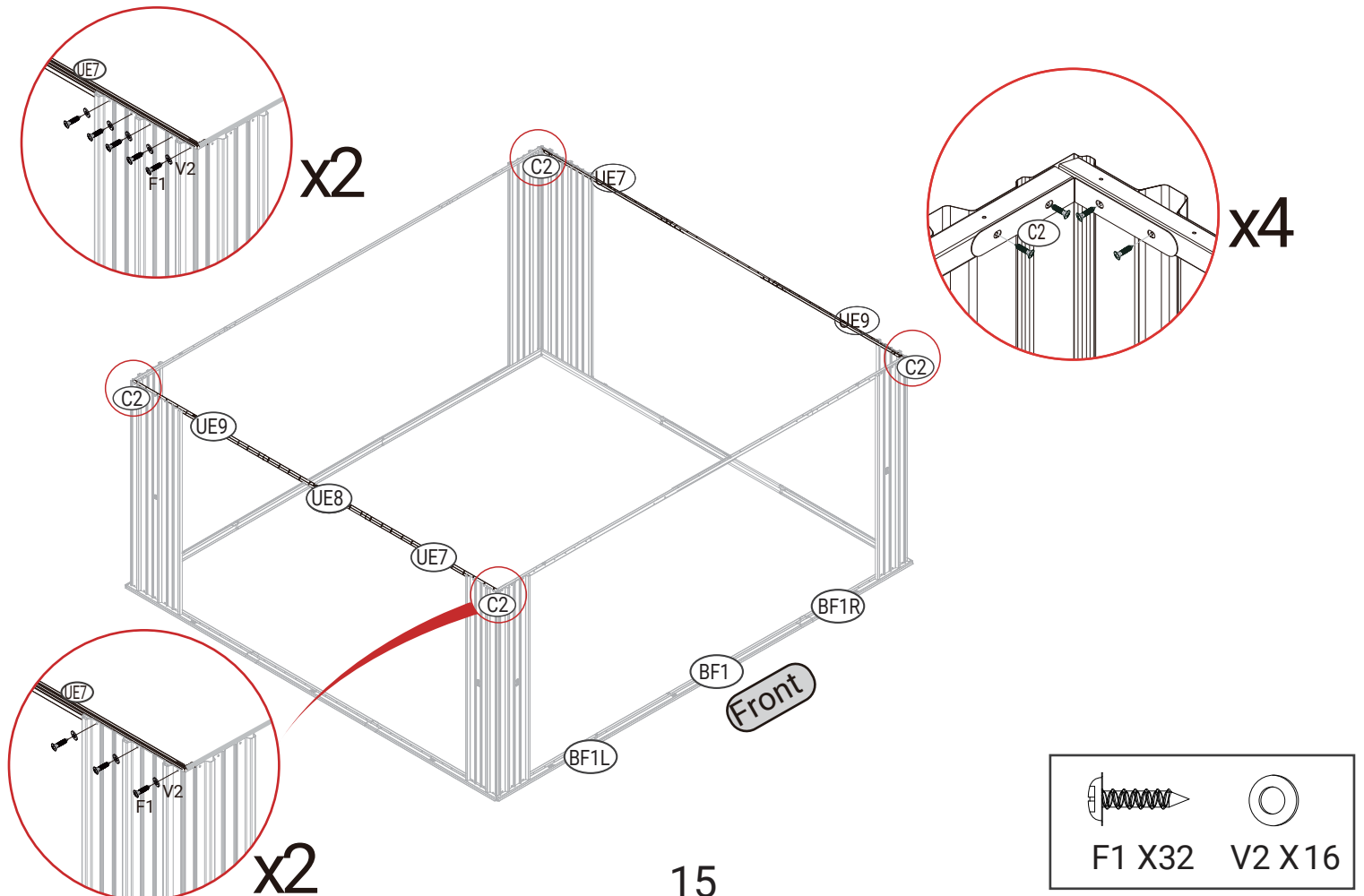
STEP 10



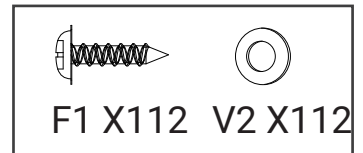
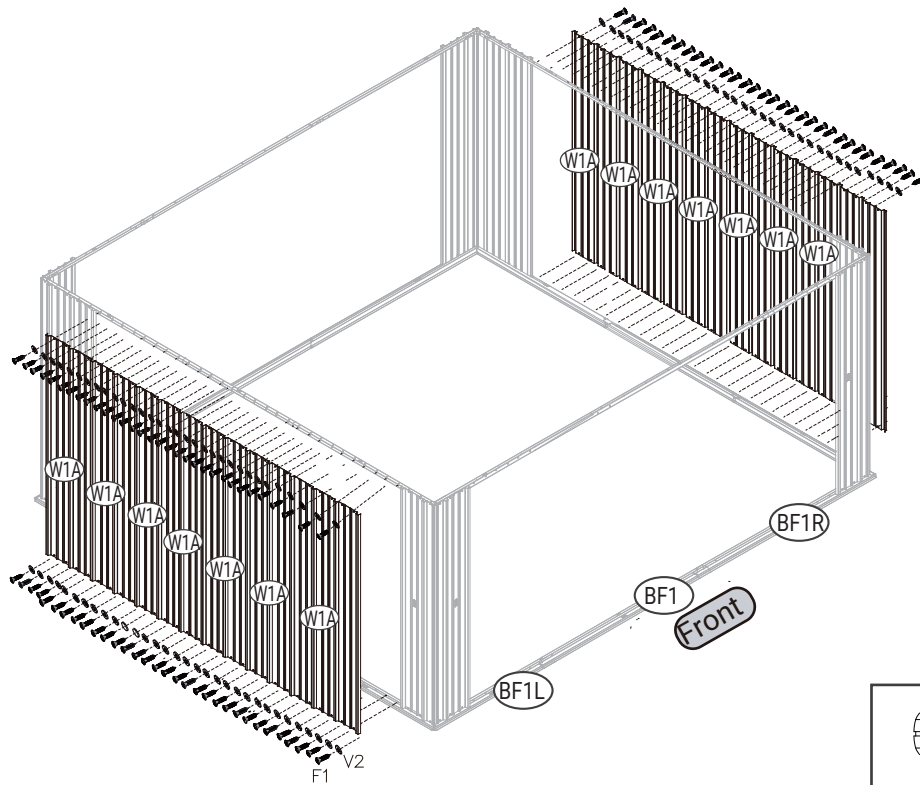
STEP 11



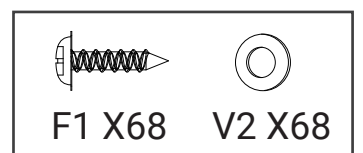
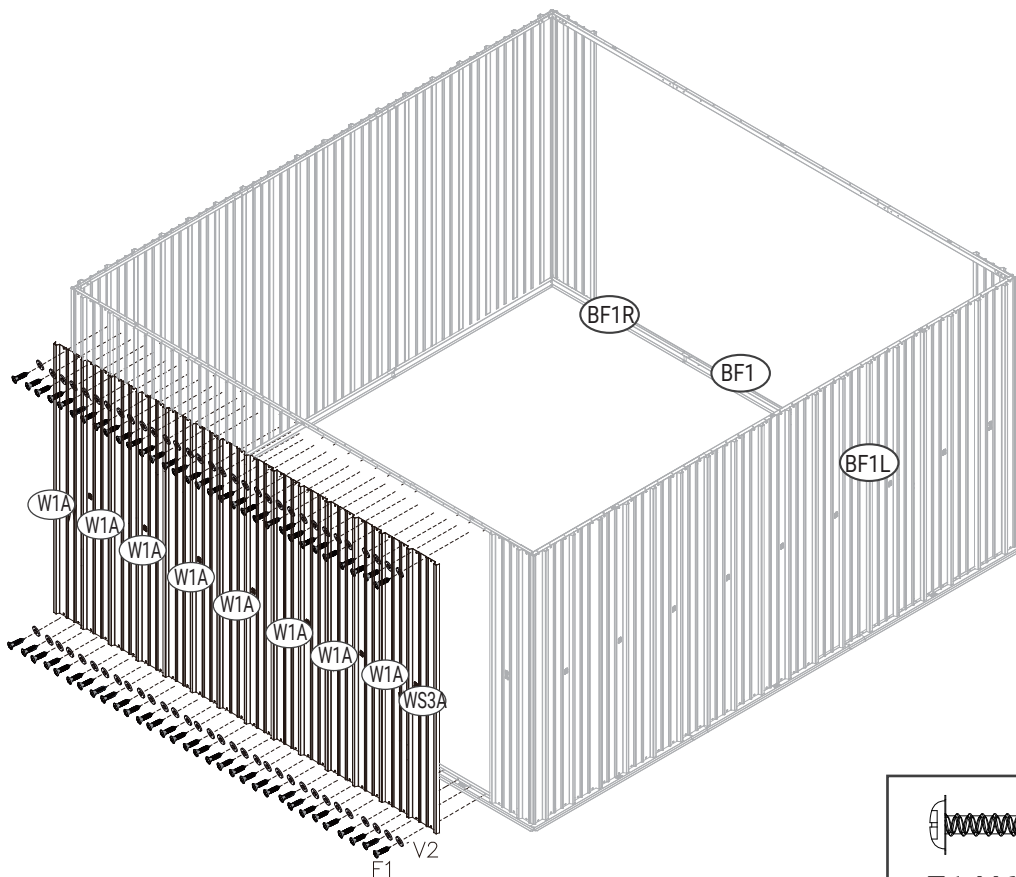
STEP 12



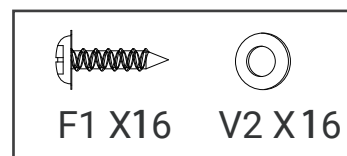
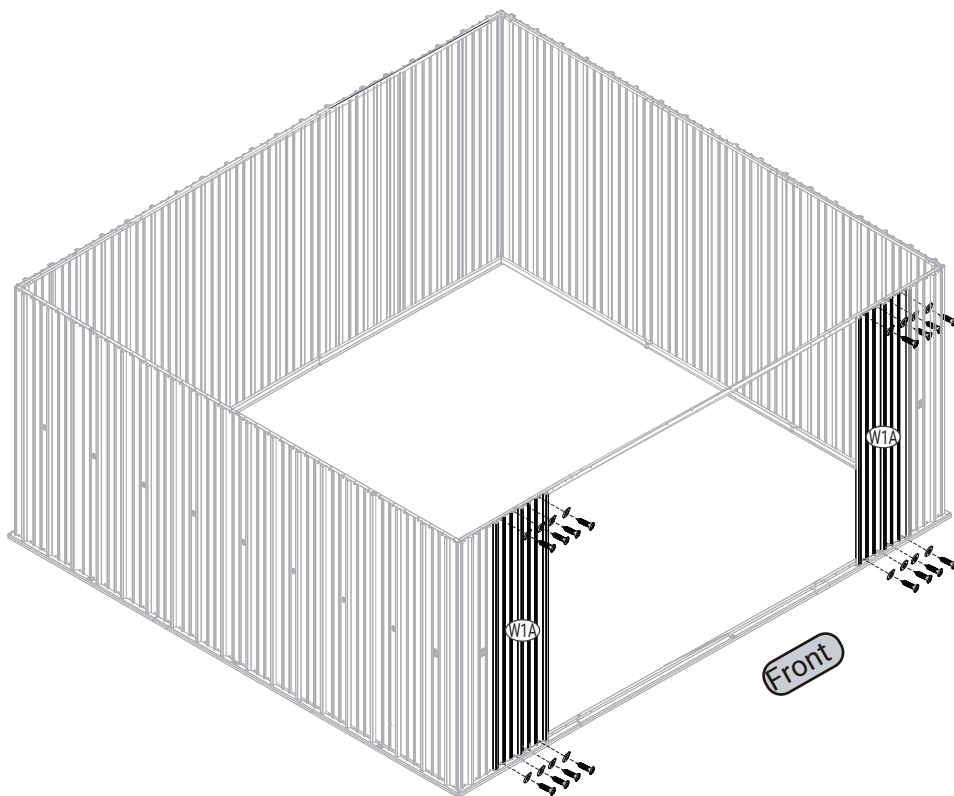
STEP 13



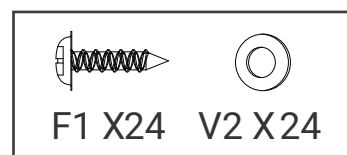
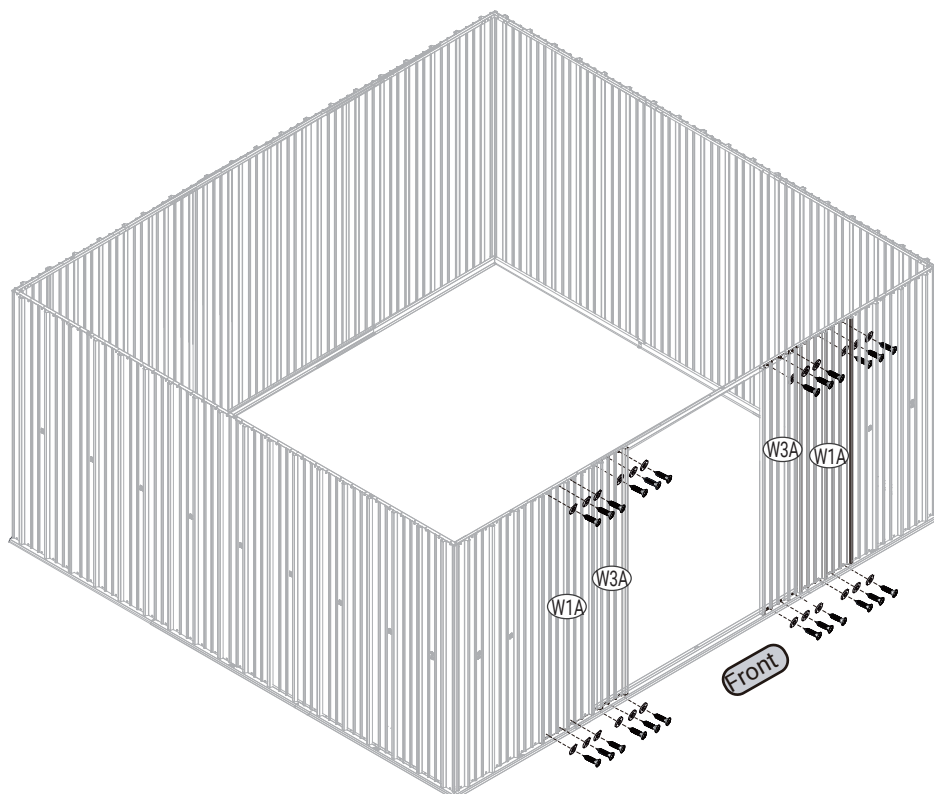
STEP 14



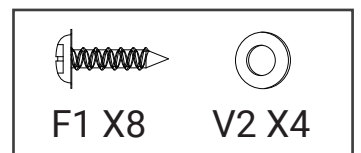
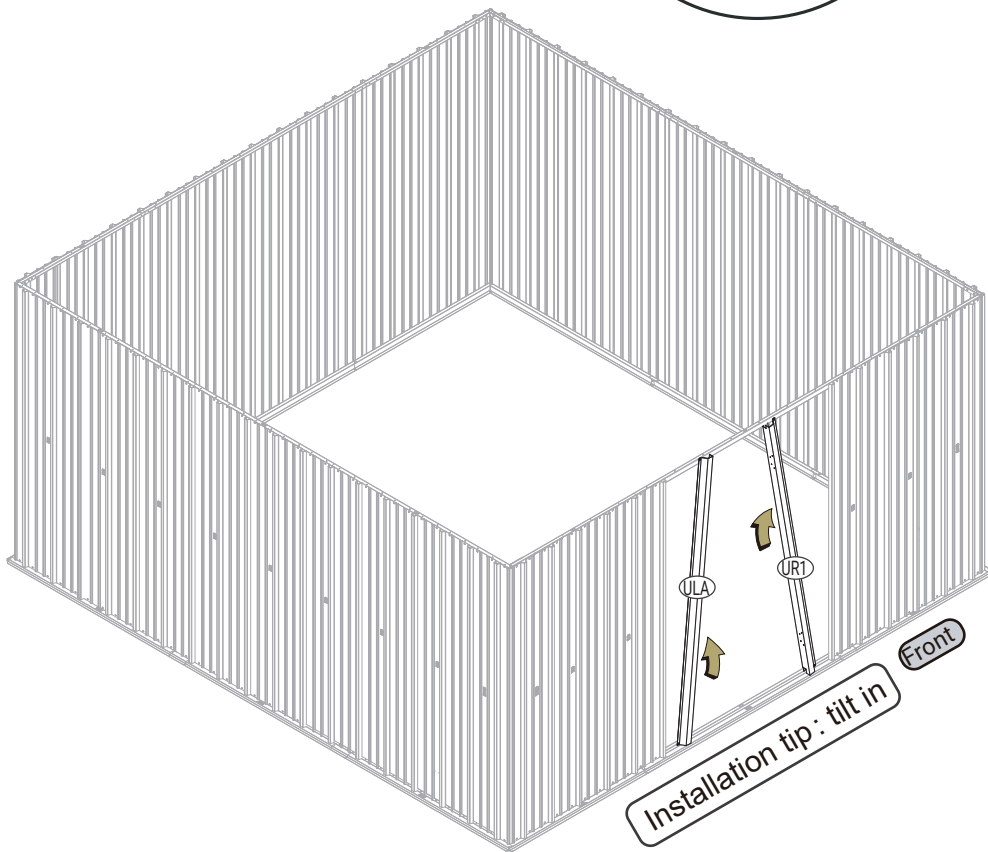
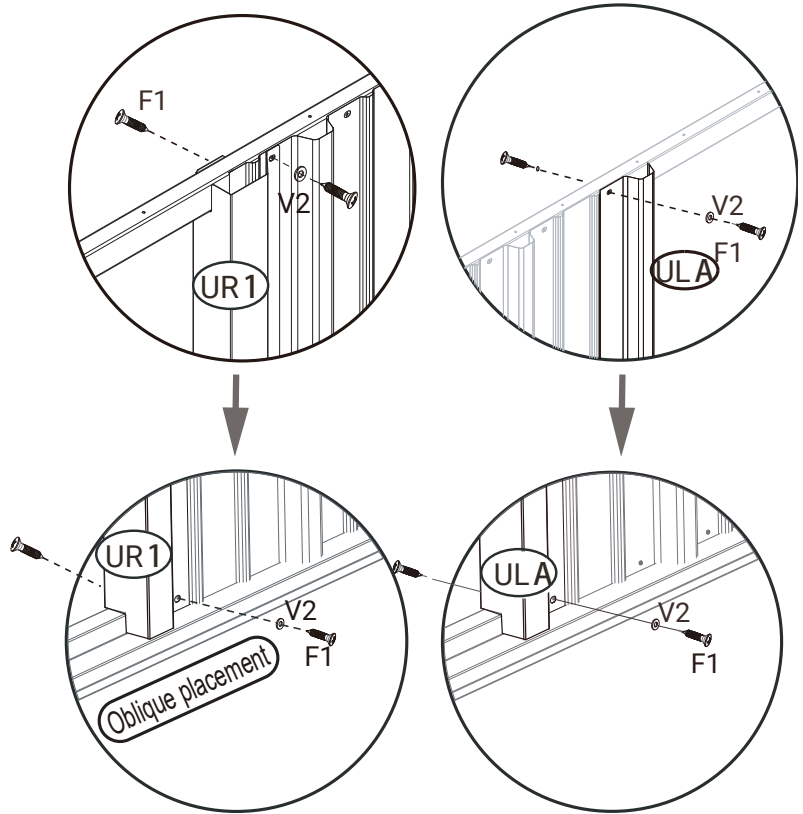
STEP 15



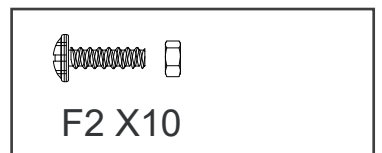
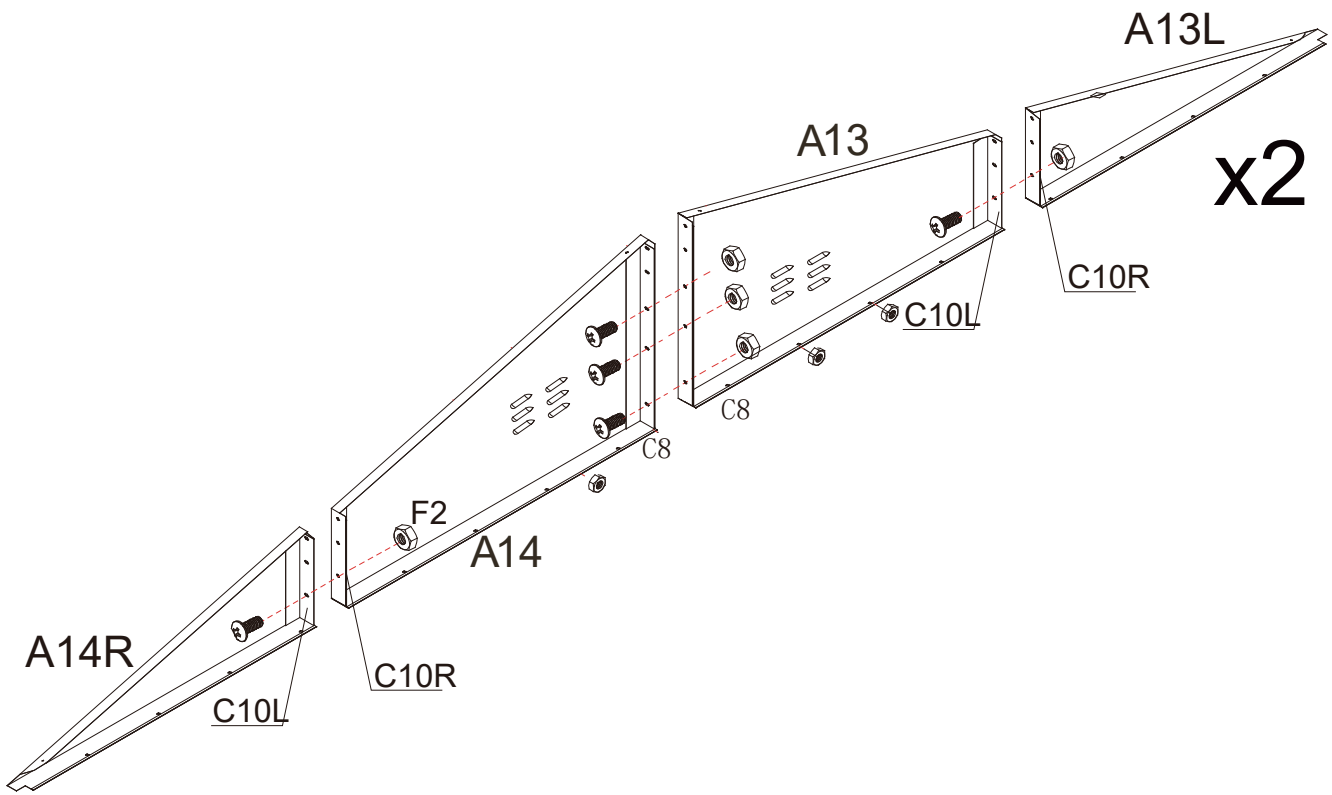
STEP 16



STEP 17

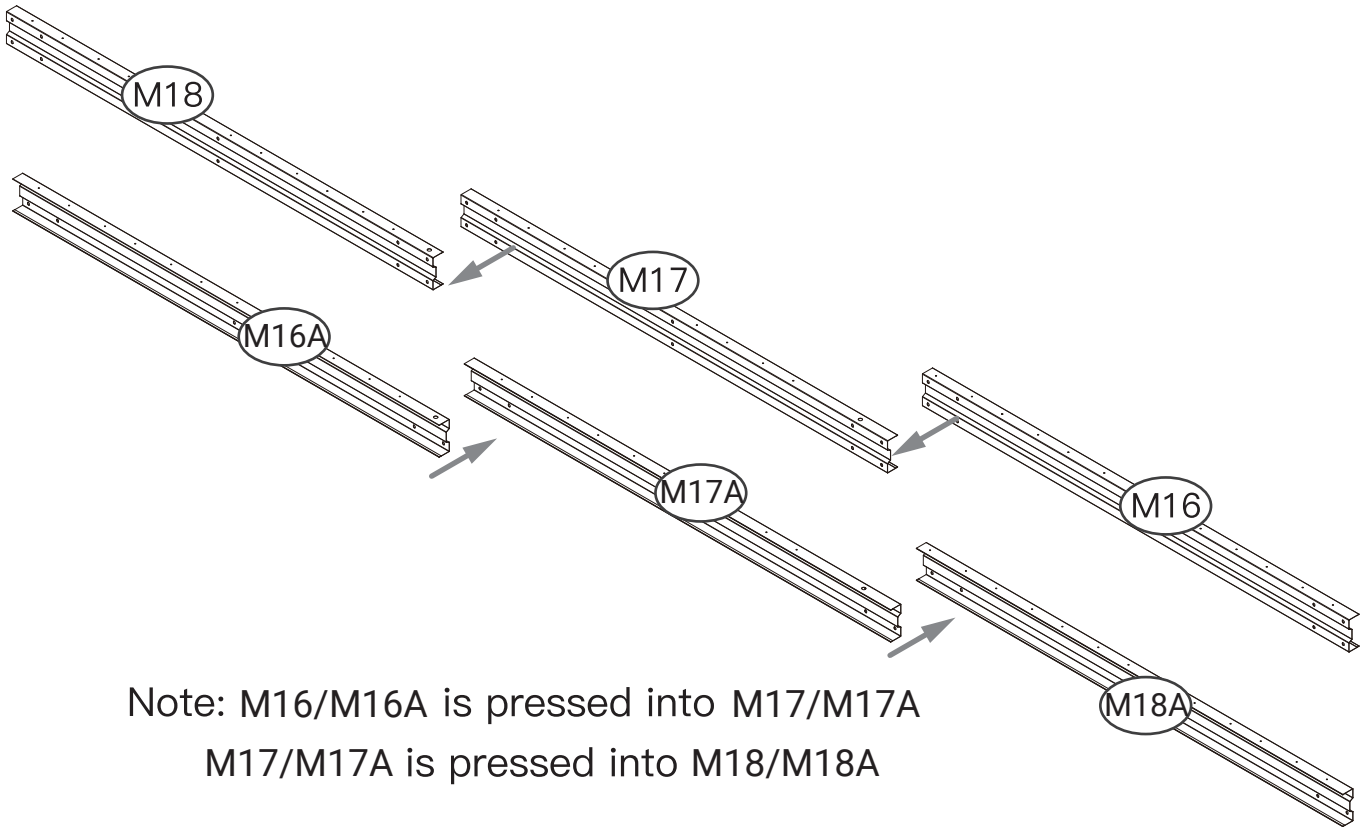


STEP 18



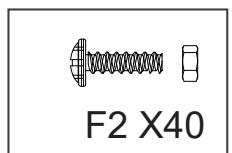
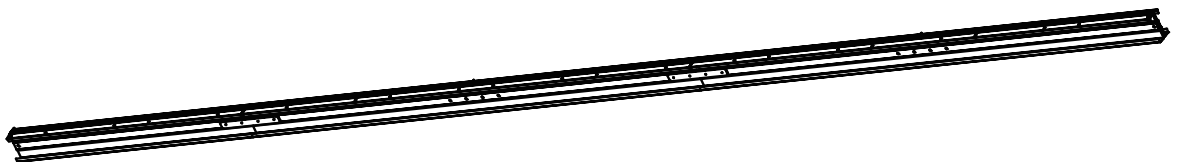
X2

Behind

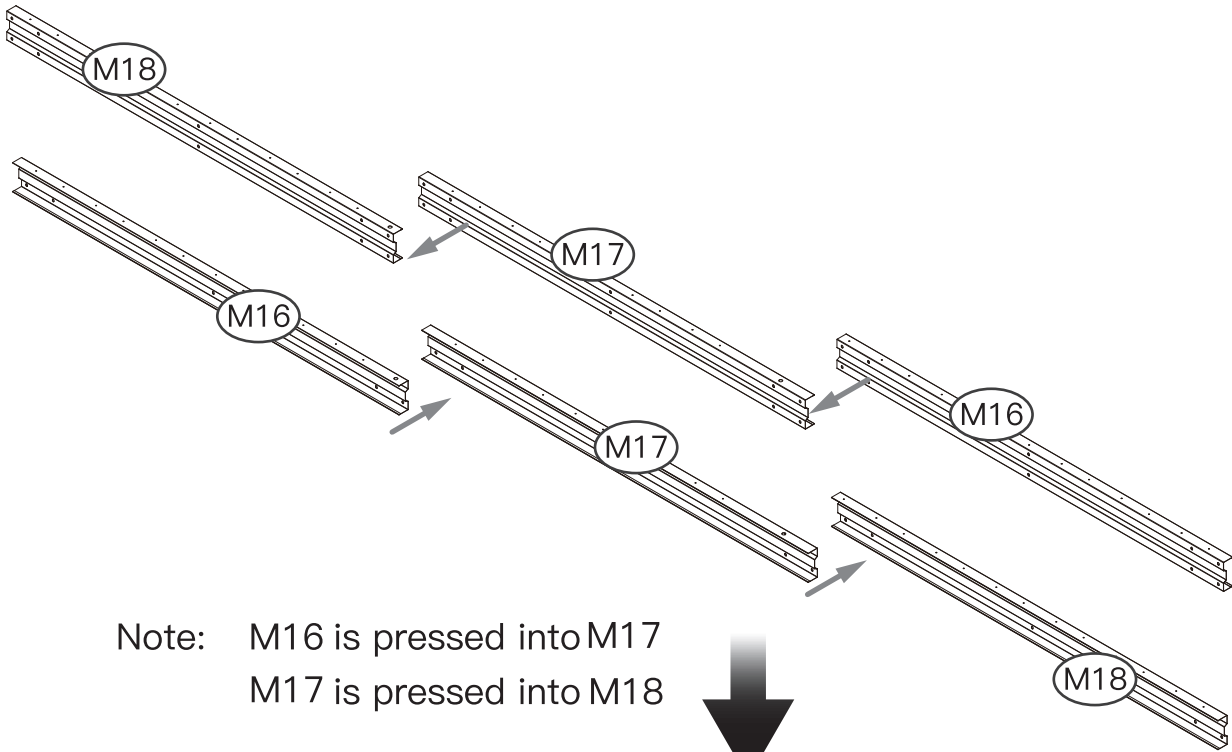


Note: M16/M16A is pressed into M17/M17A
M17/M17A is pressed into M18/M18A

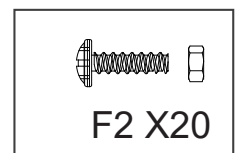
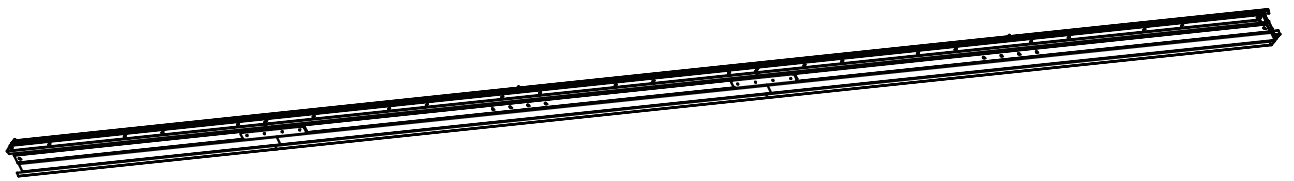
In front



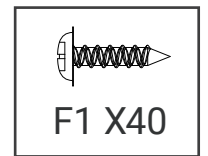
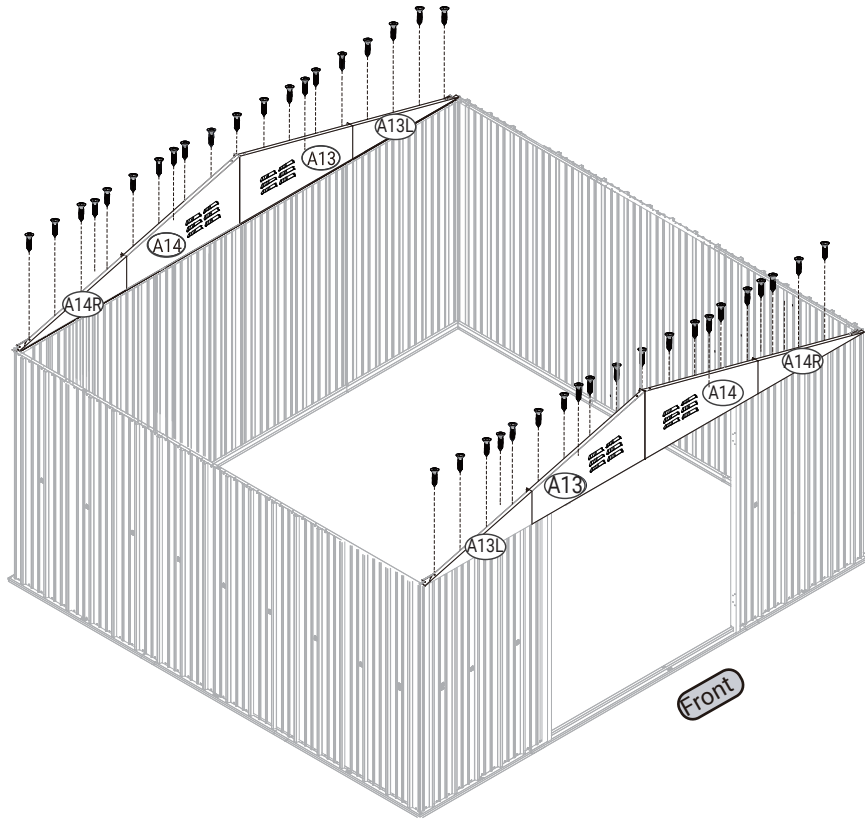
STEP 20



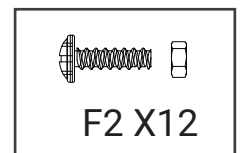
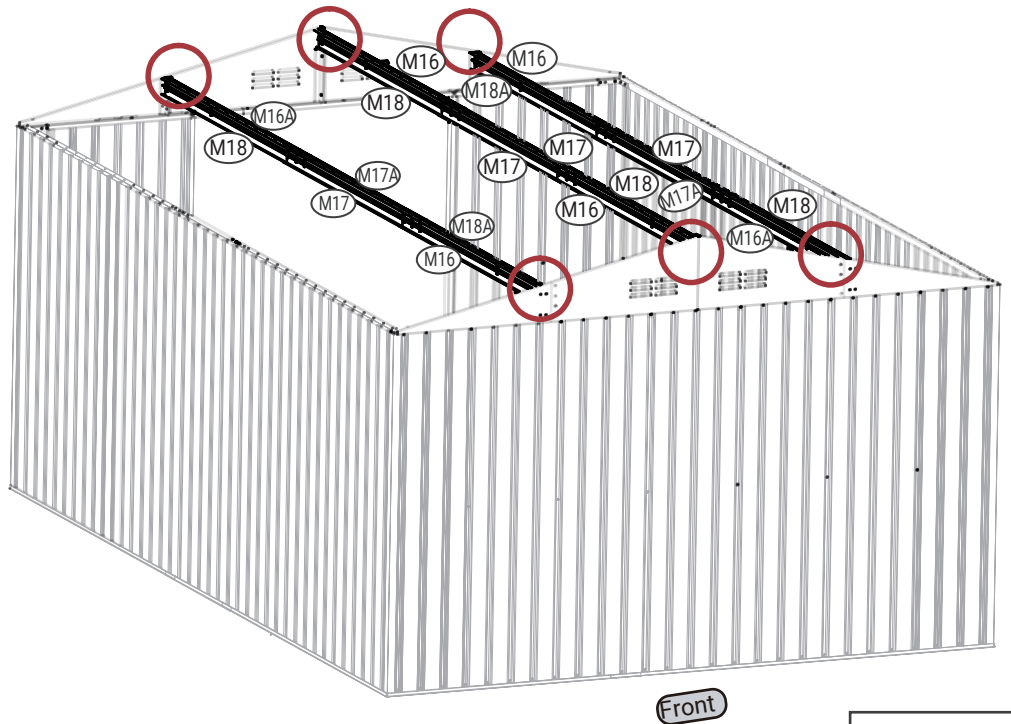
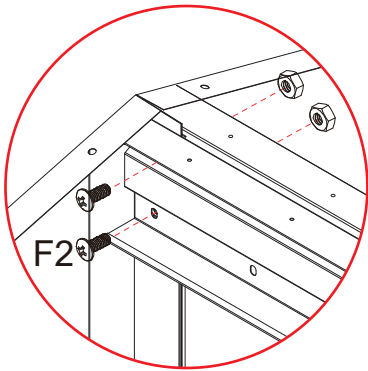
Note: M16 is pressed into M17
M17 is pressed into M18



STEP 2 1

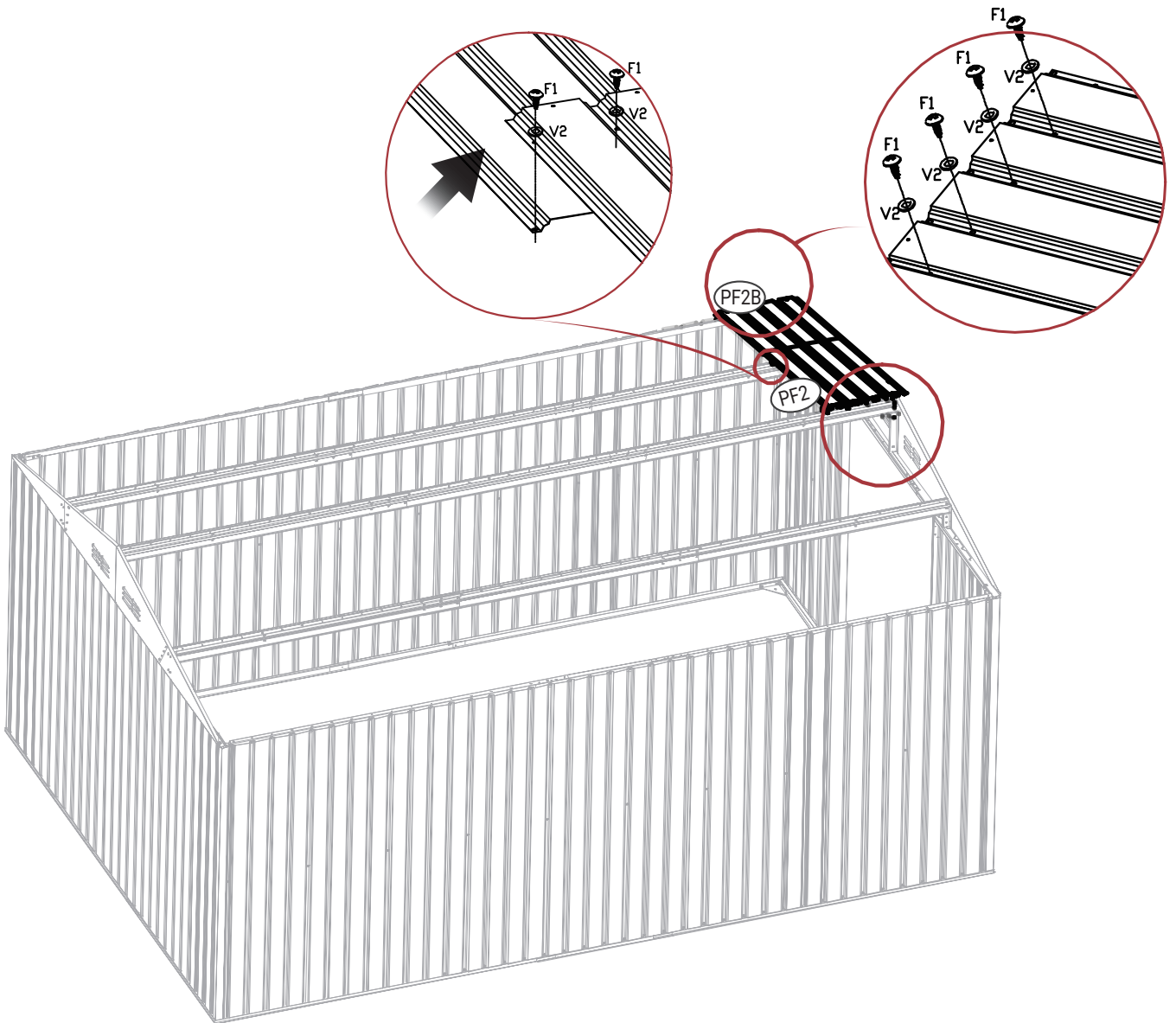


STEP 2 2

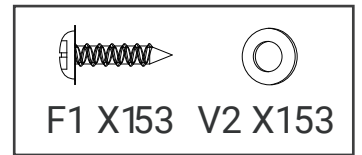
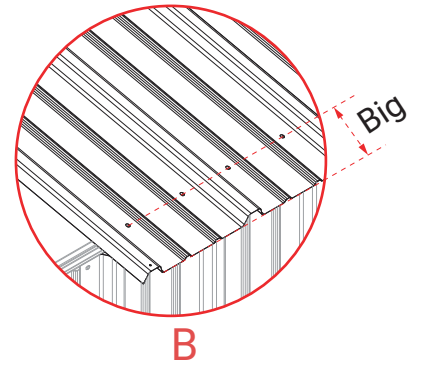
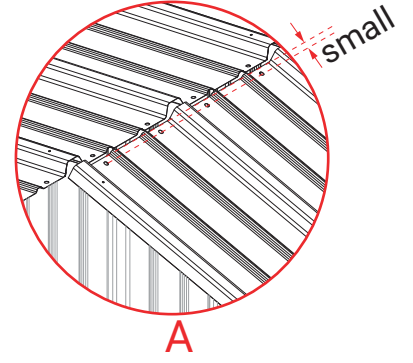
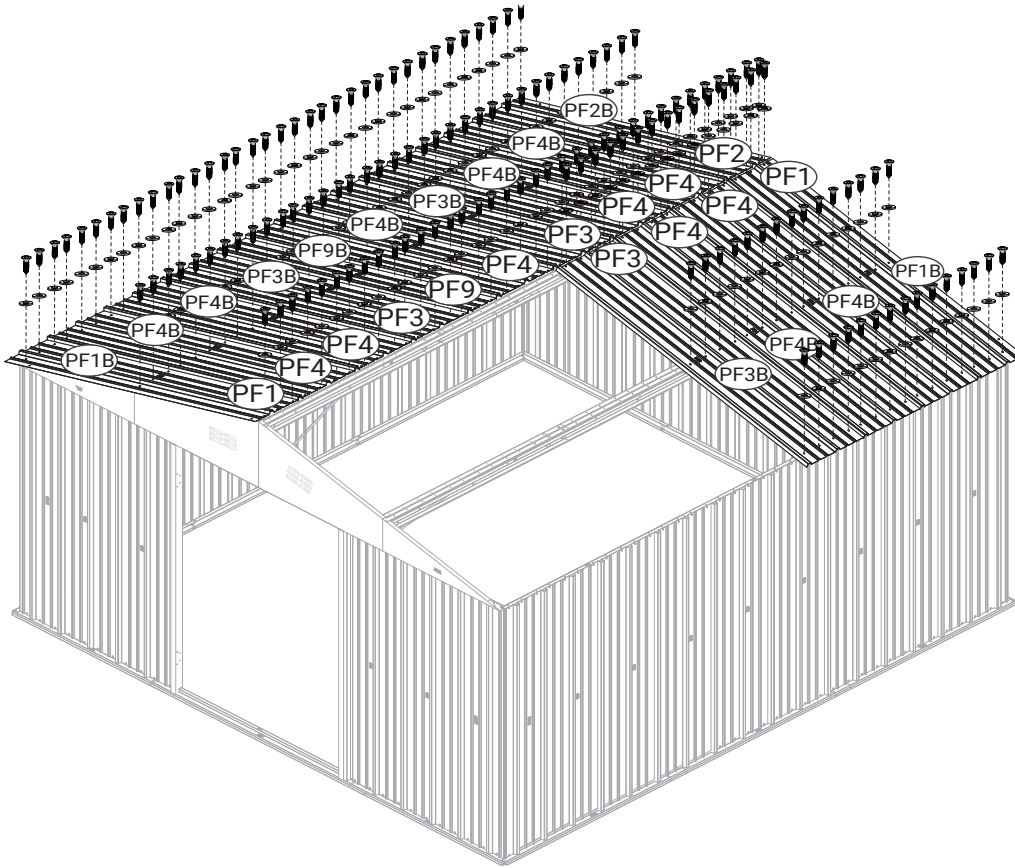


STEP 2 3

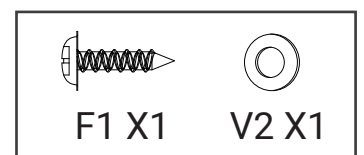
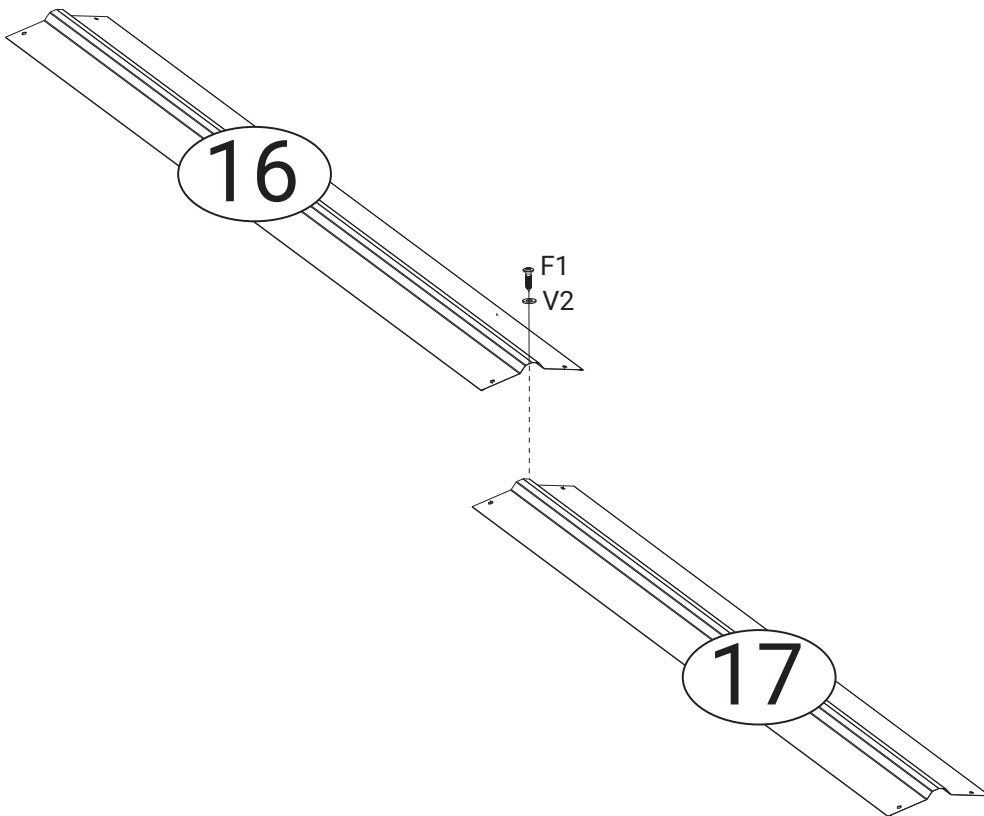
Note: The upper cover must be placed on top of the lower cover to prevent rain leakage.



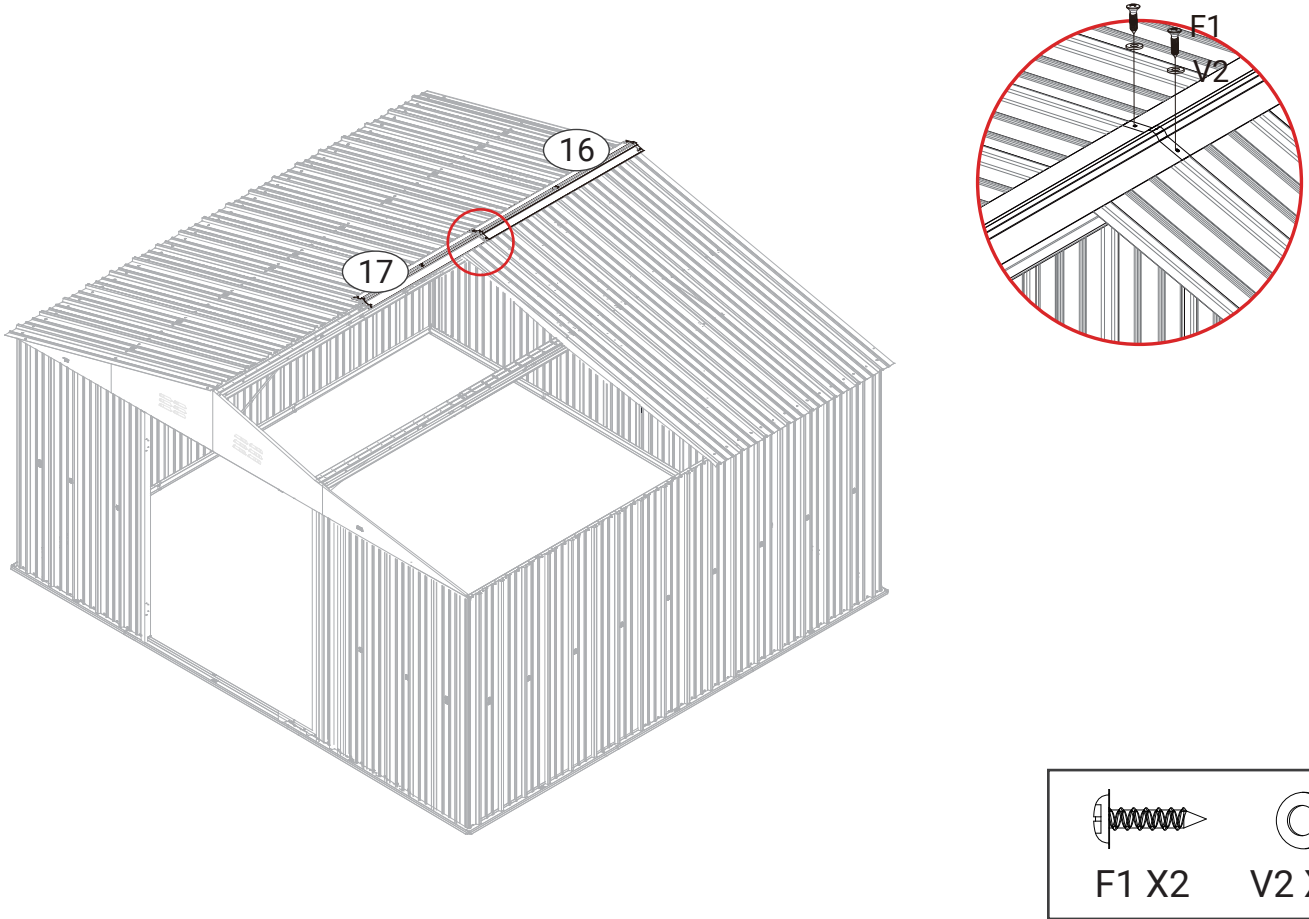
STEP 24



STEP 25

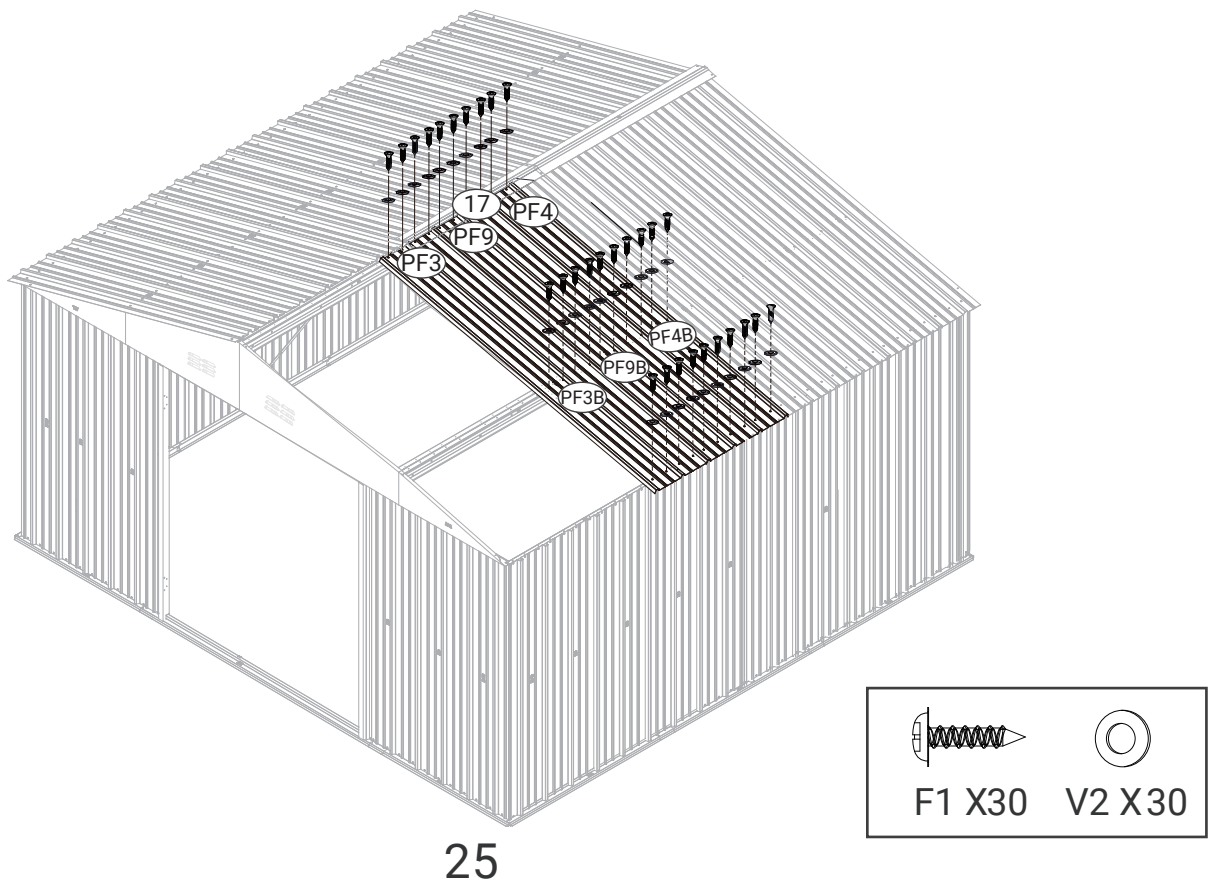


STEP 26

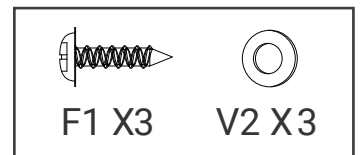
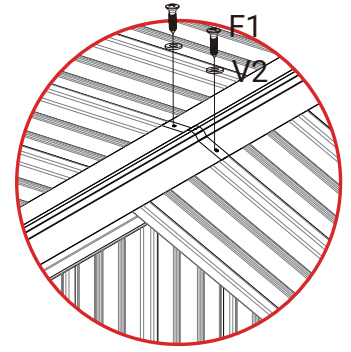
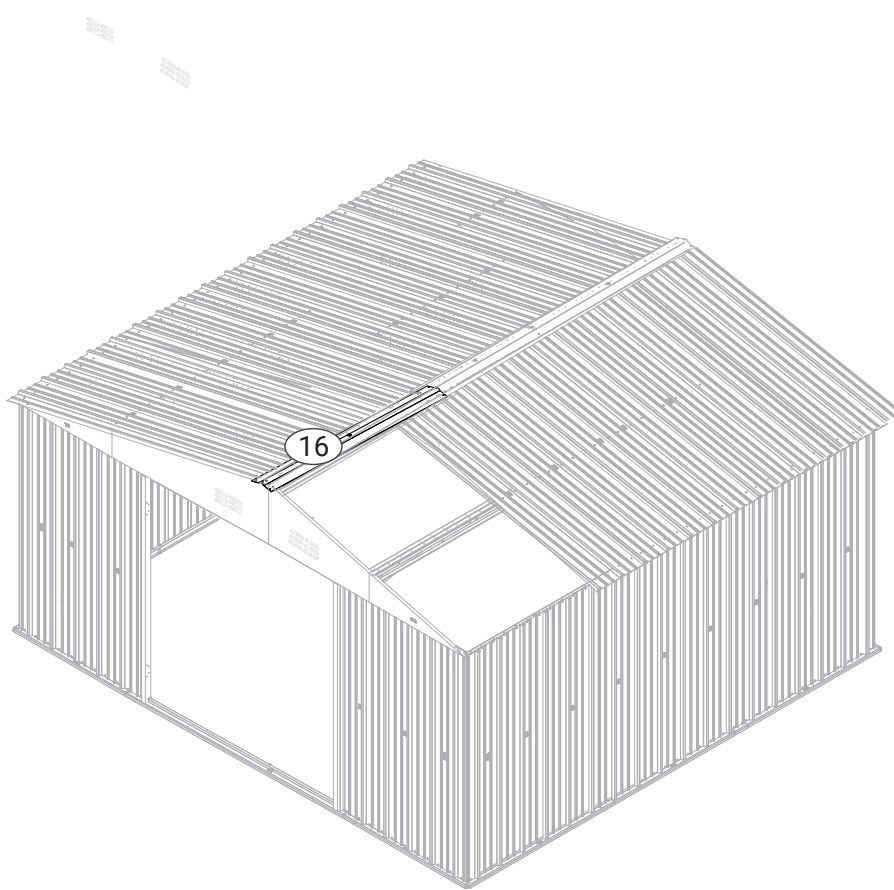


STEP 27

Installation tips : You need to gently lift the 17 and then screw it.

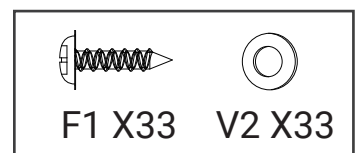
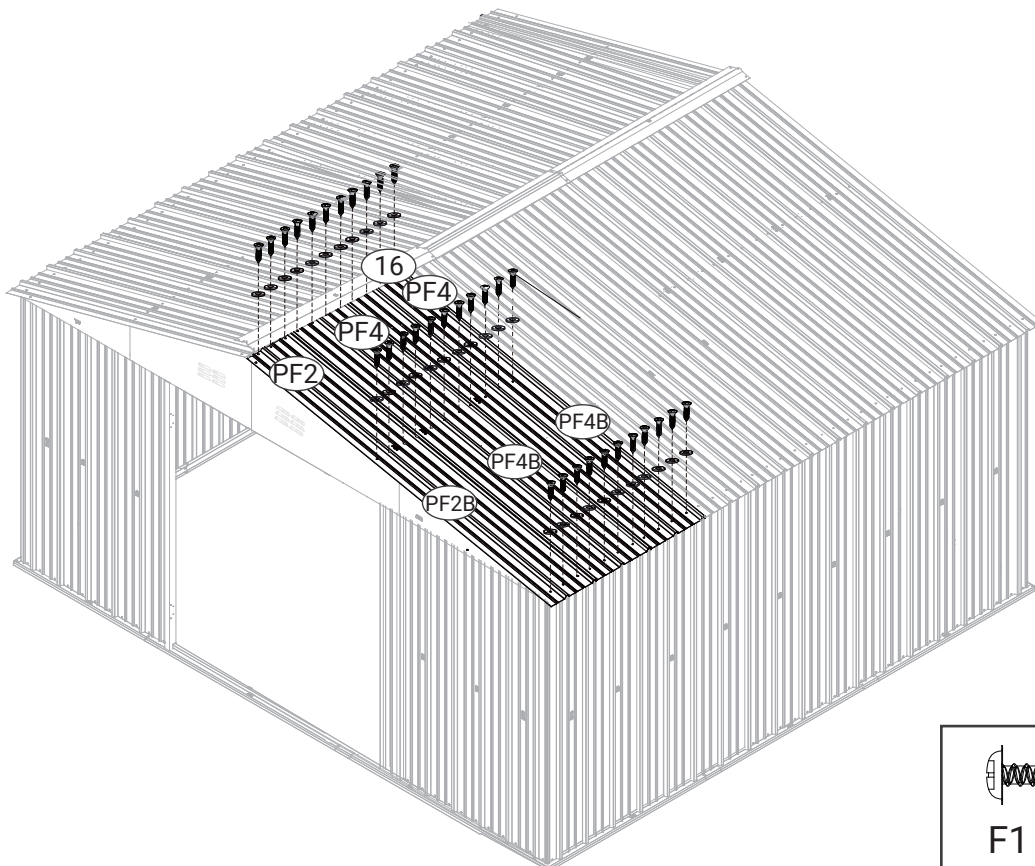


STEP 28



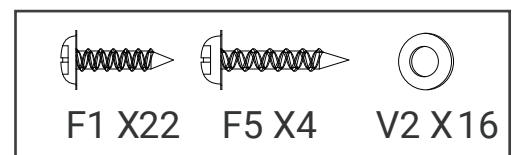
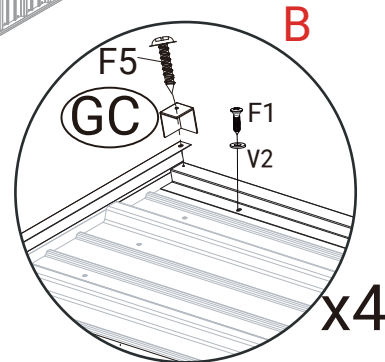
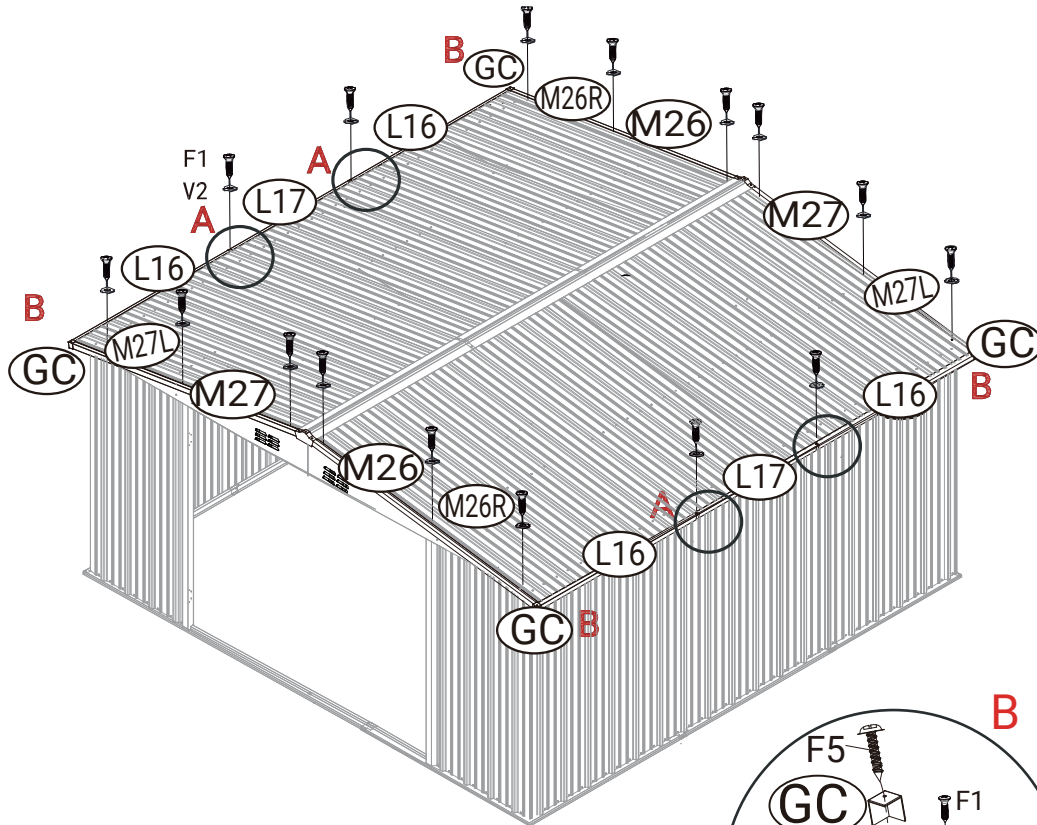
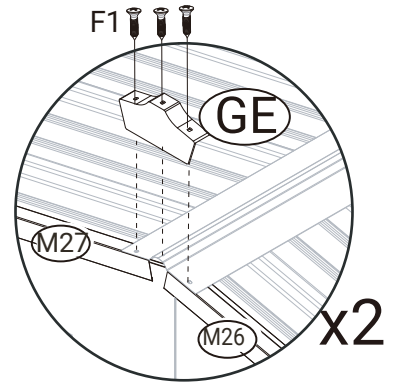
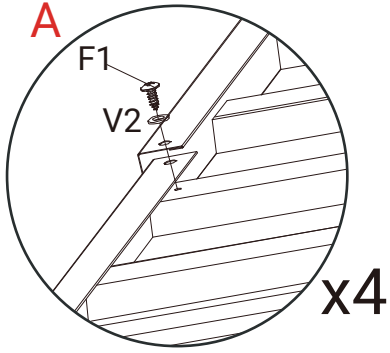
STEP 29

Installation tips : You need to gently lift the 16 and then screw it.

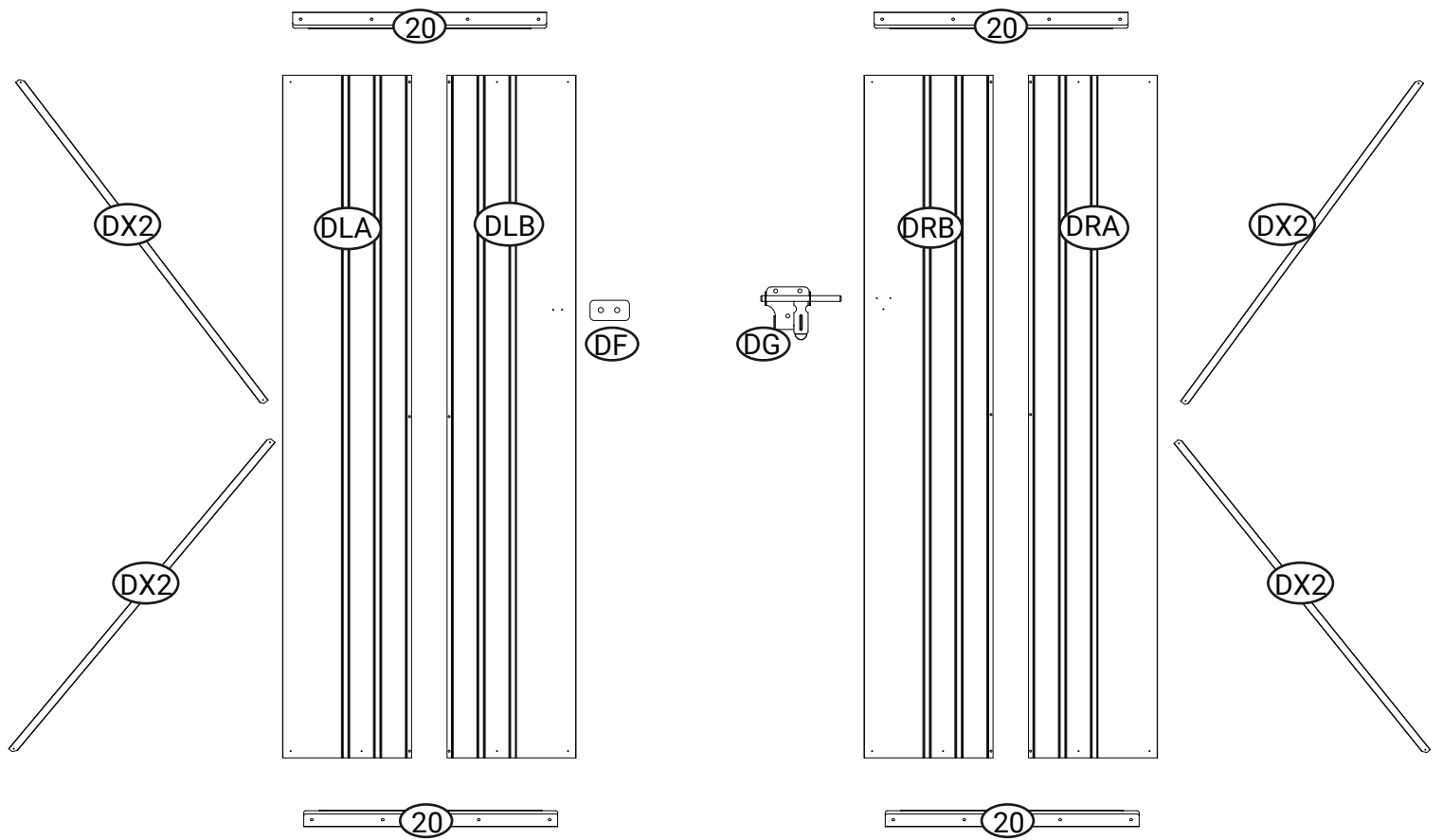


26

STEP 3 0

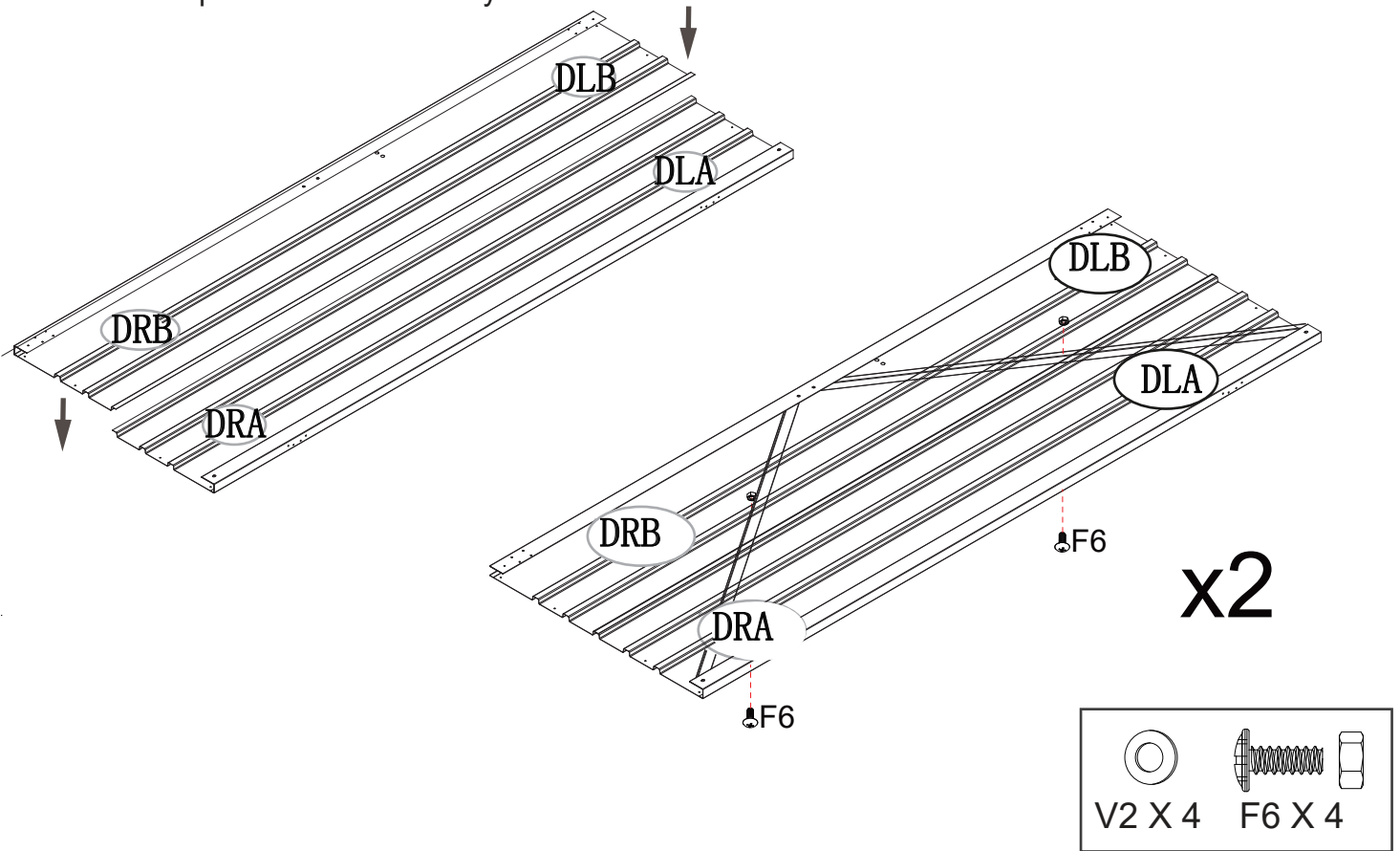


STEP 31

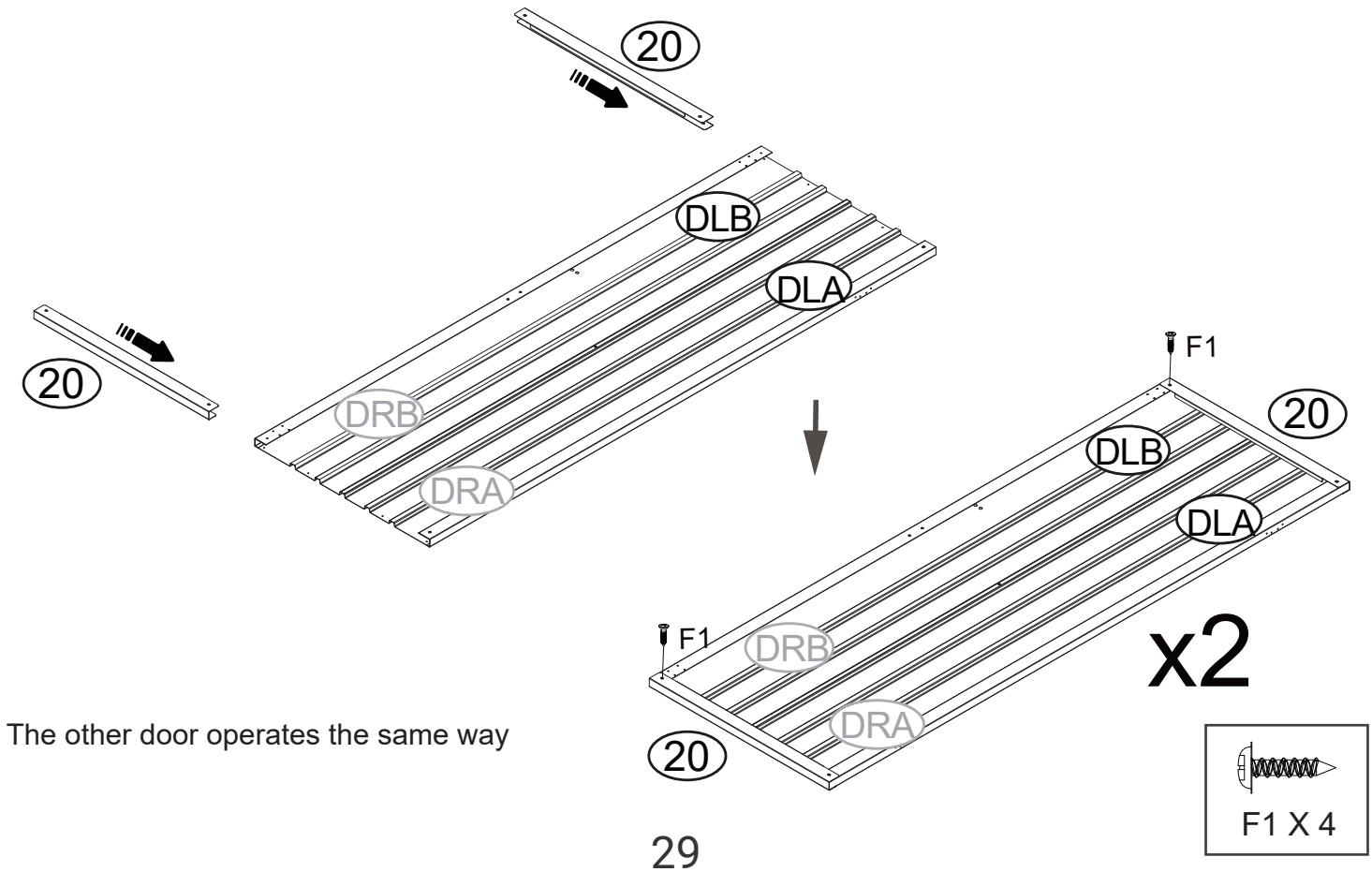


STEP 32

The other door operates the same way

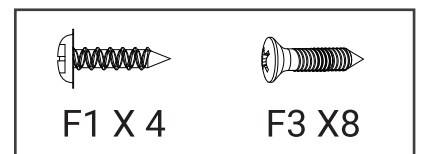
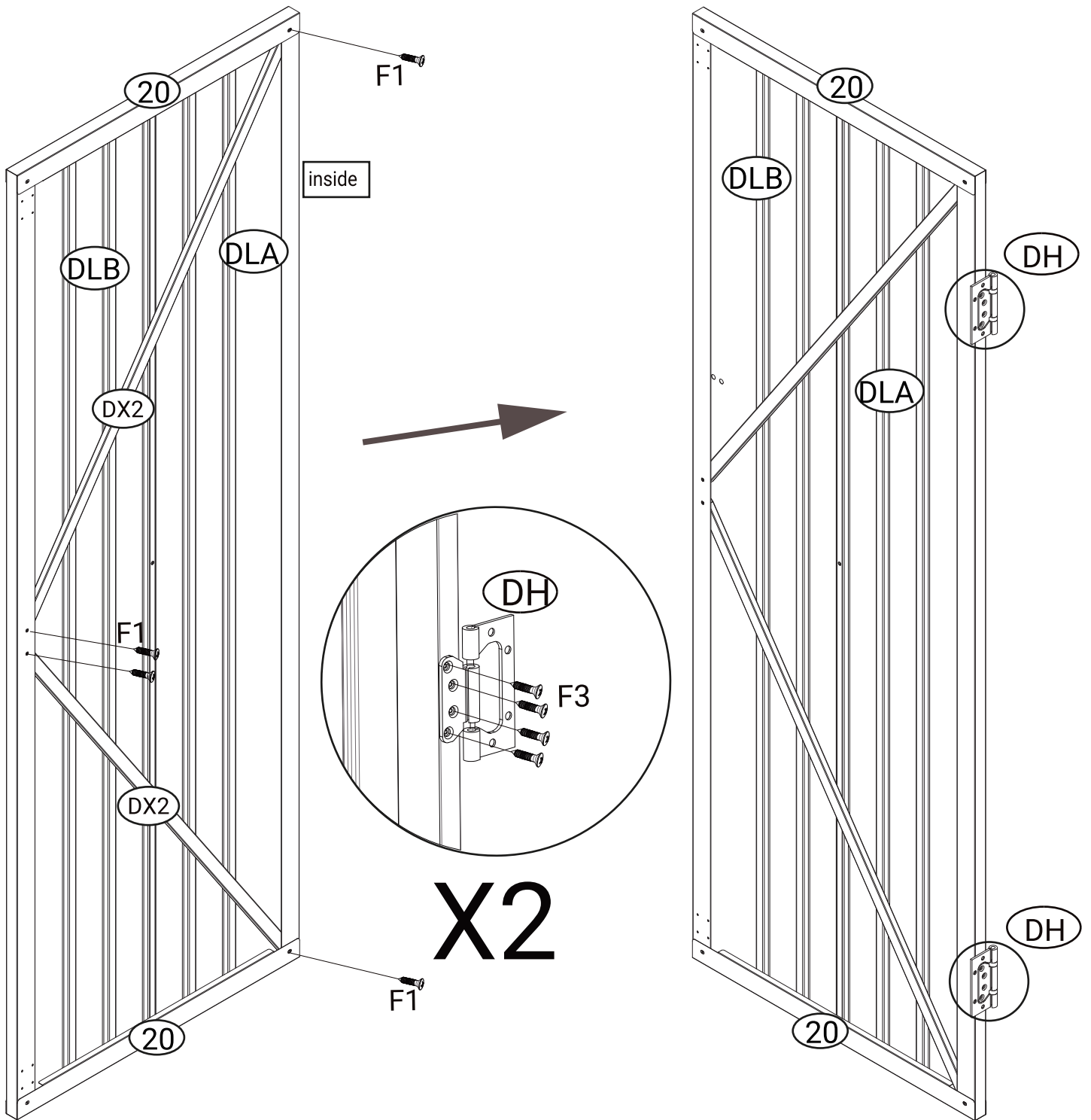


STEP 33

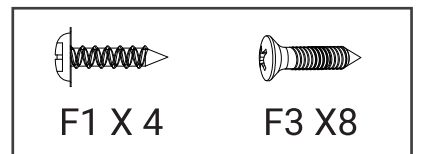
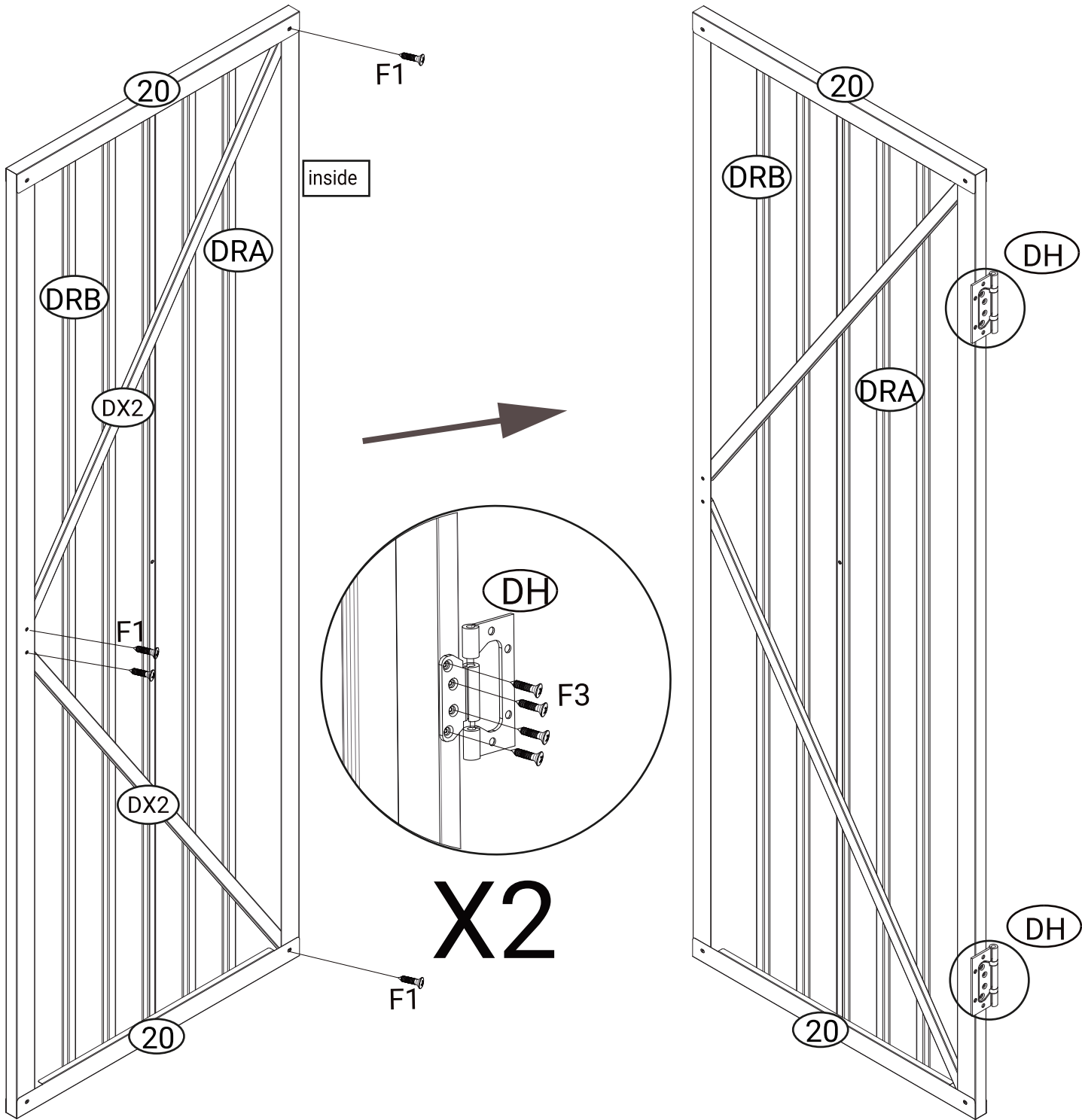


The other door operates the same way

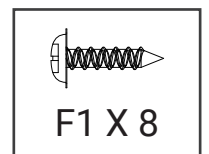
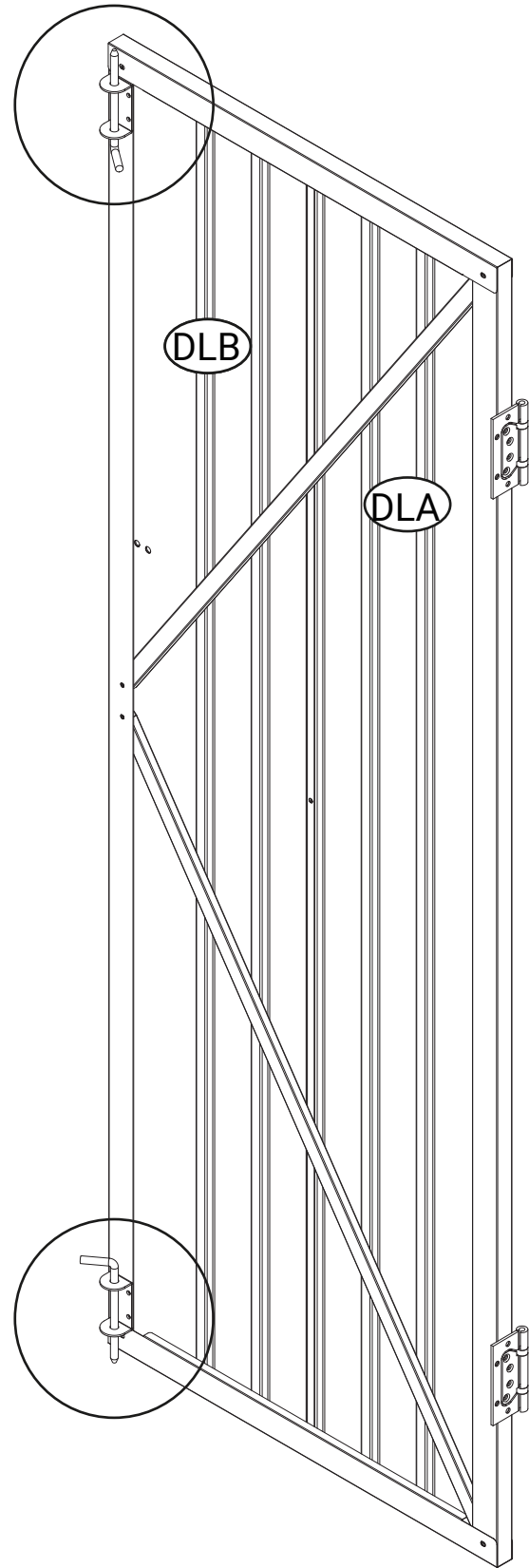
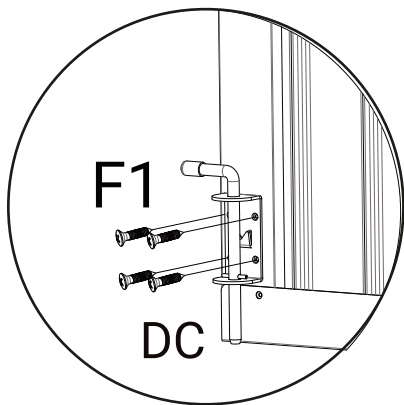
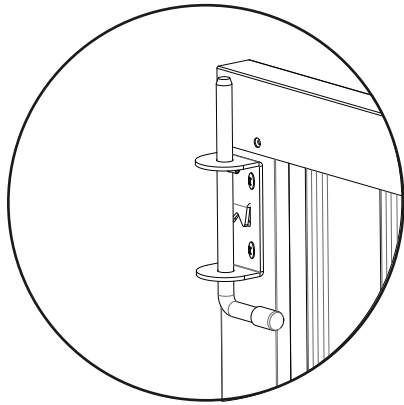
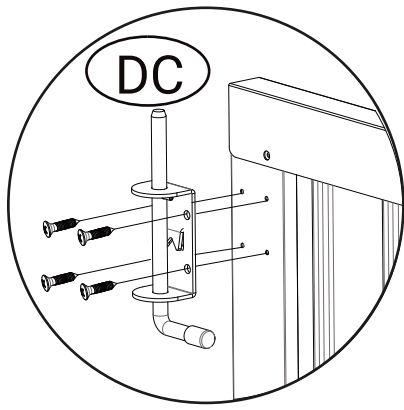
STEP 34



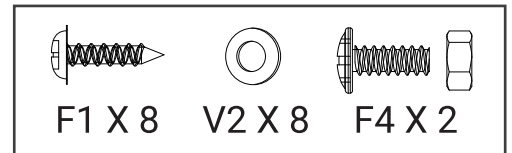
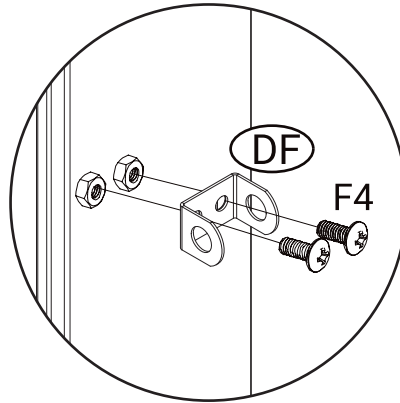
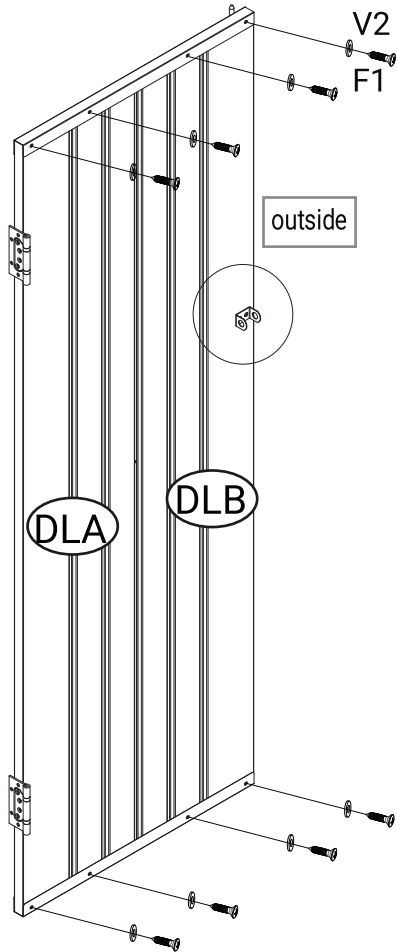
STEP 35



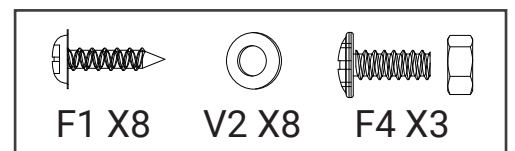
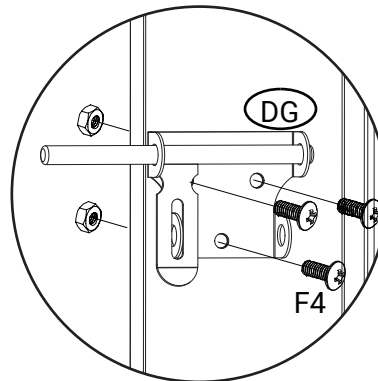
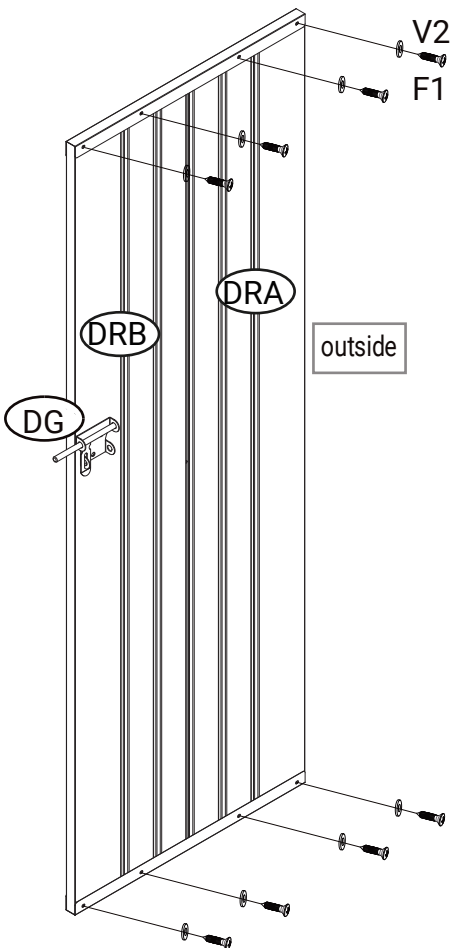
STEP 36



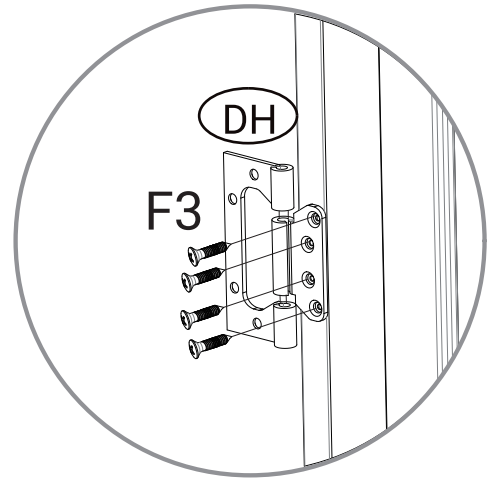
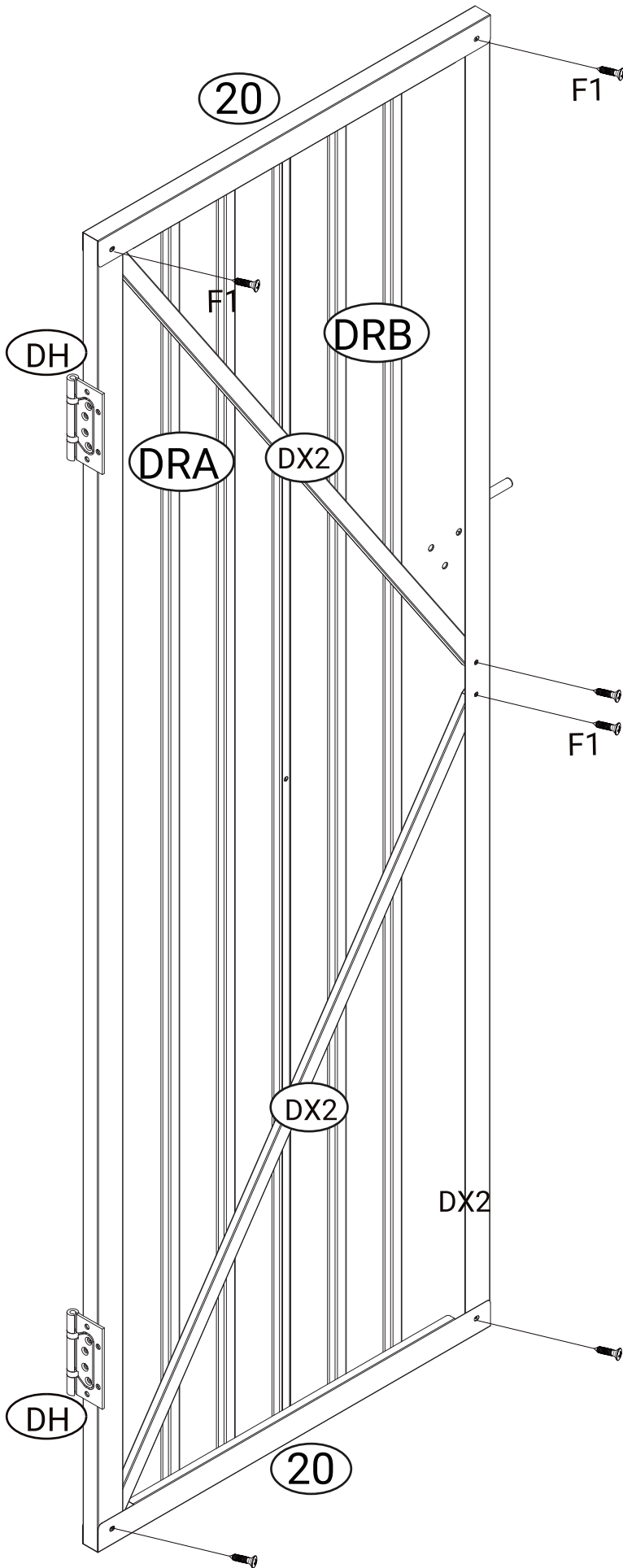
STEP 37



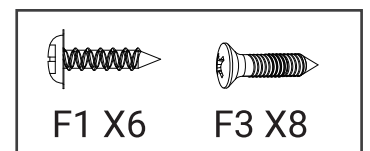
STEP 38



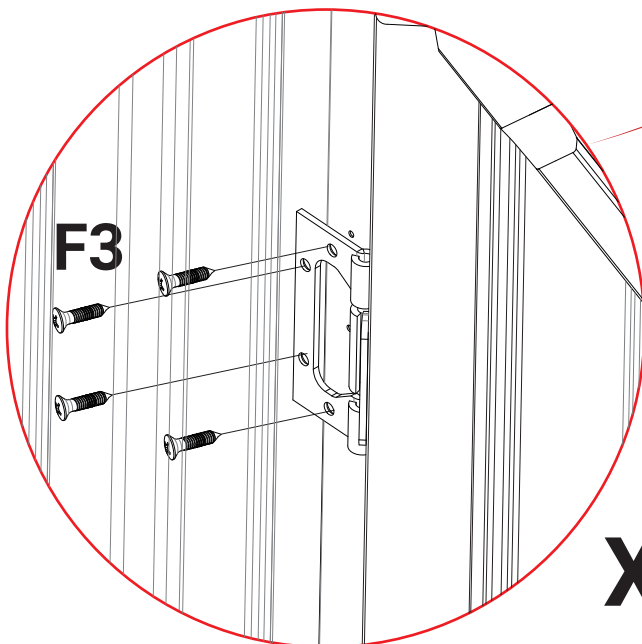
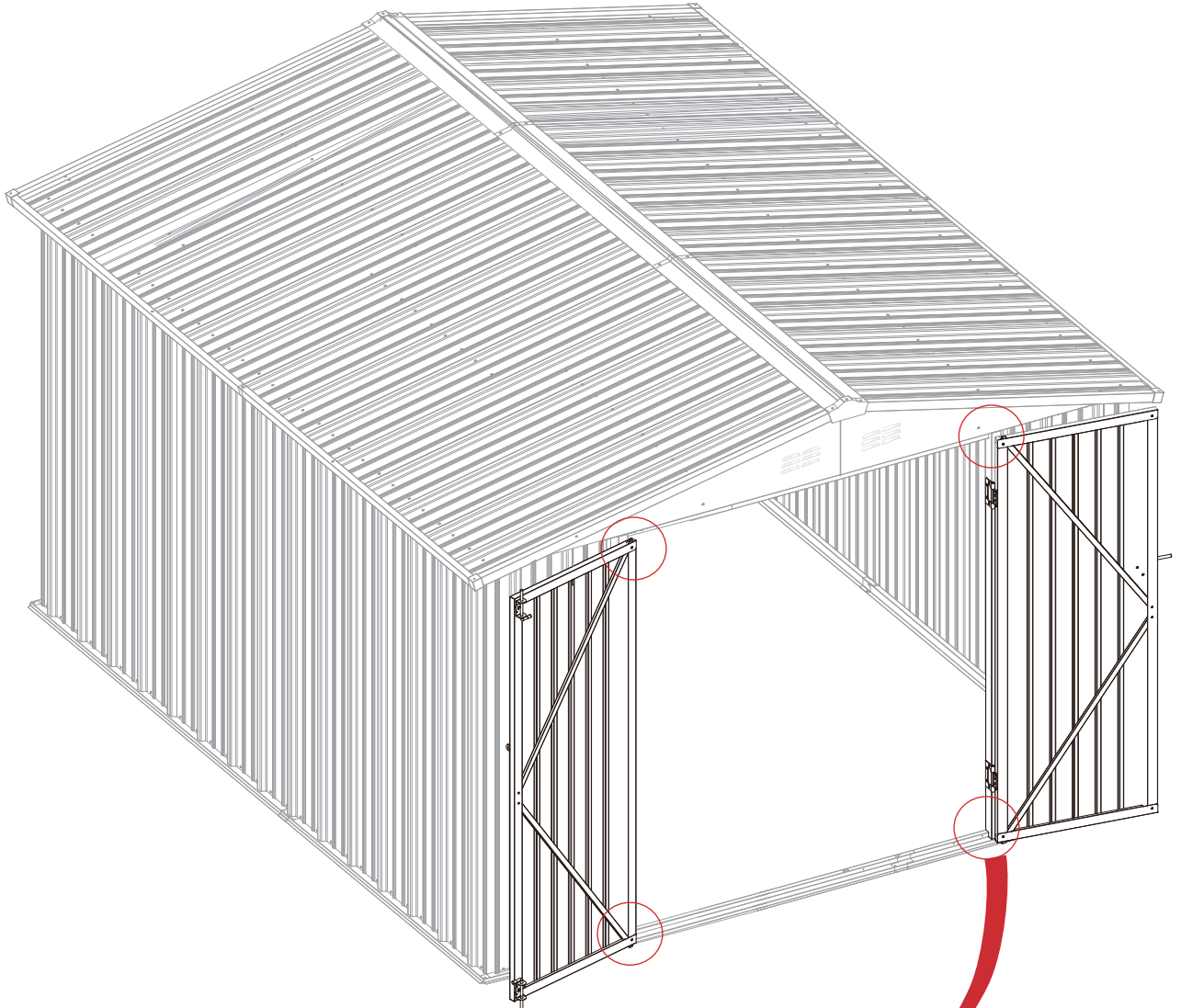
STEP 39



X2



STEP 40

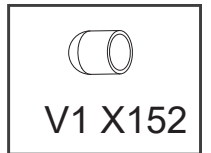
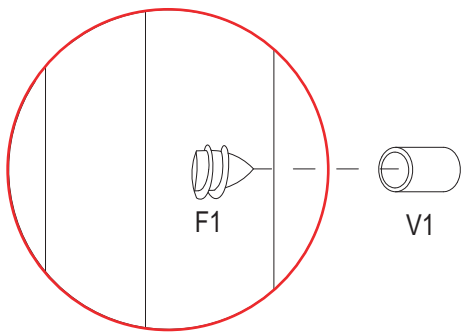
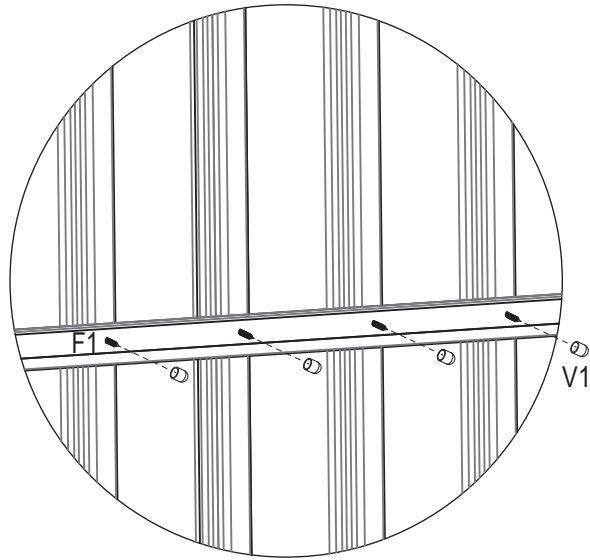


X4

35

F3 X16

STEP 41



FINISH

