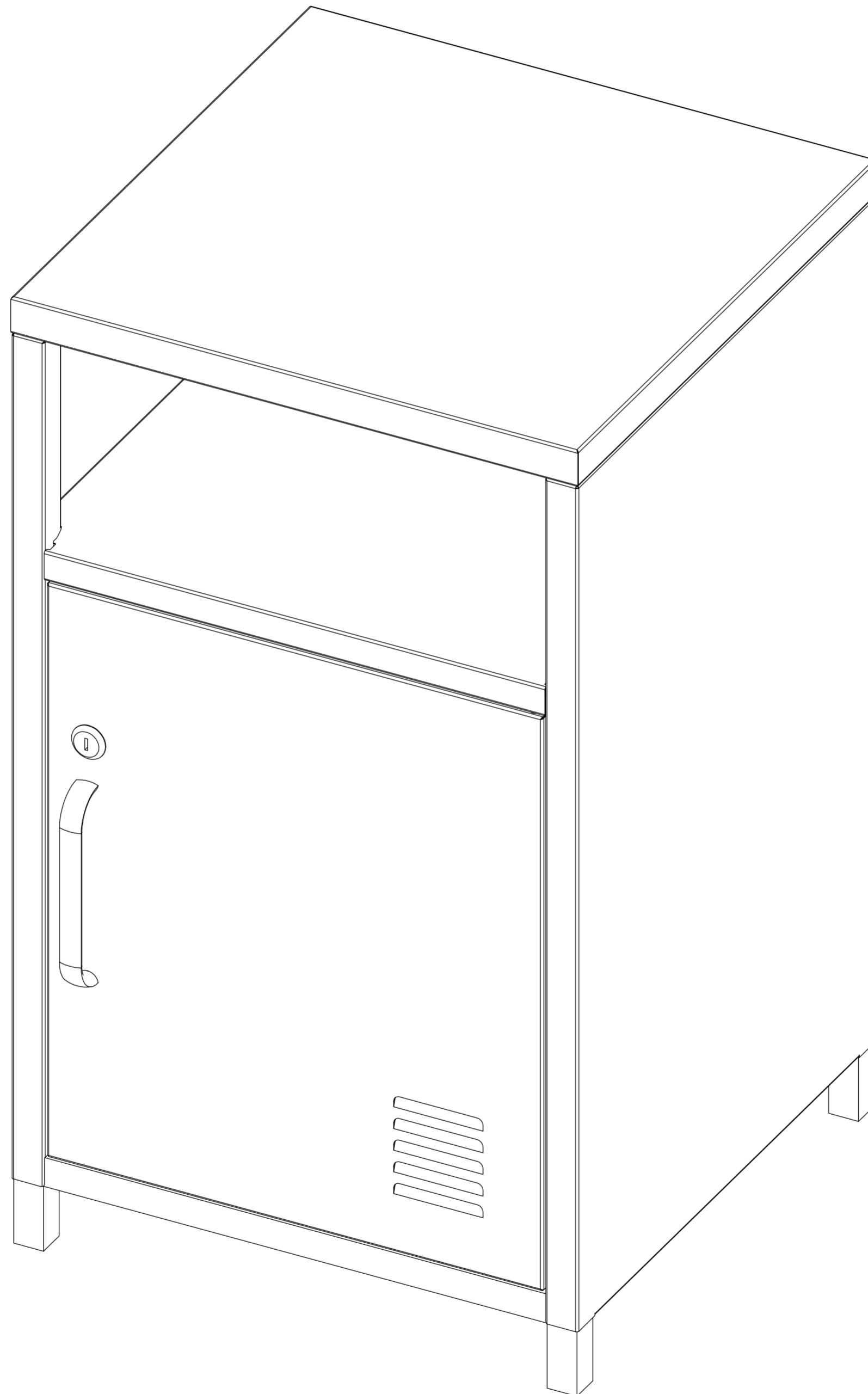


# Owner Manual



# **Thank you for shopping from us!**

In order to enable you to better install or use this product, please carefully review the precautions and detailed functional operation instructions provided in this manual before using this product formally.

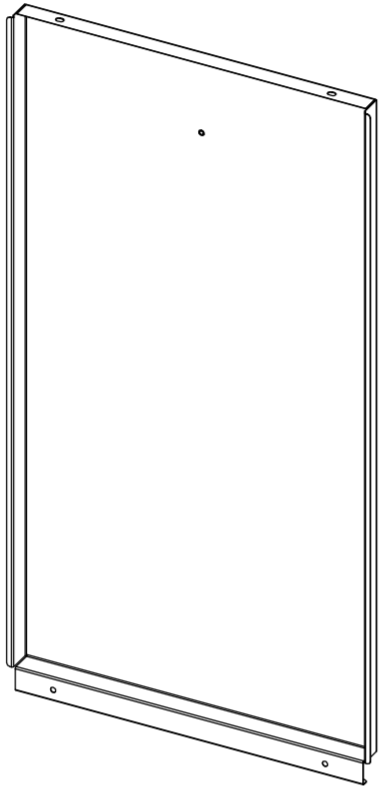
**Hope you have a positive experience with it!**

## **Assembly Guide**

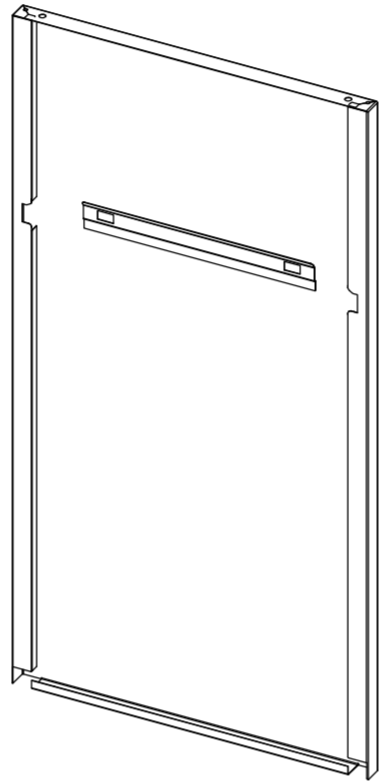
**The assembly guide includes a Part List, Installation Steps, and Warning Tips.**

Please note that your item may arrive in multiple packages to facilitate transportation, and it's important to check all packages once you receive them.

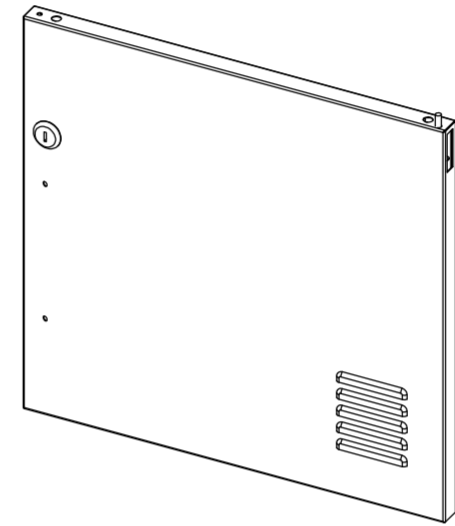
# Parts List



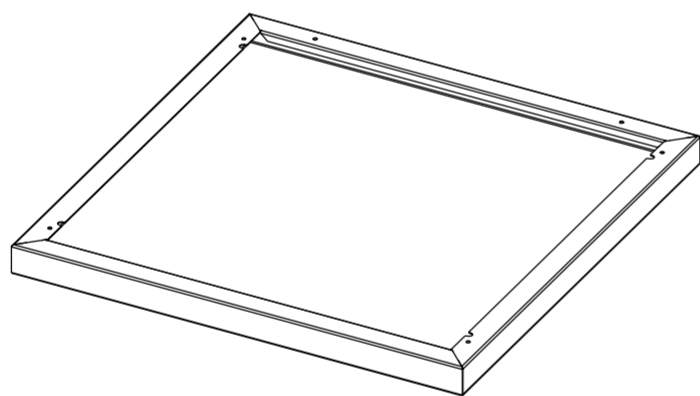
Ⓐ 1pc



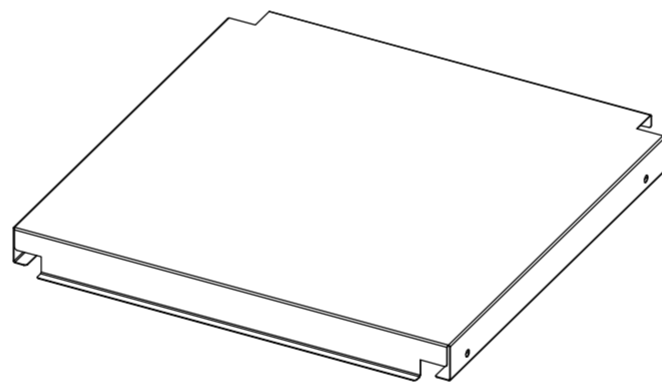
Ⓑ 2pc



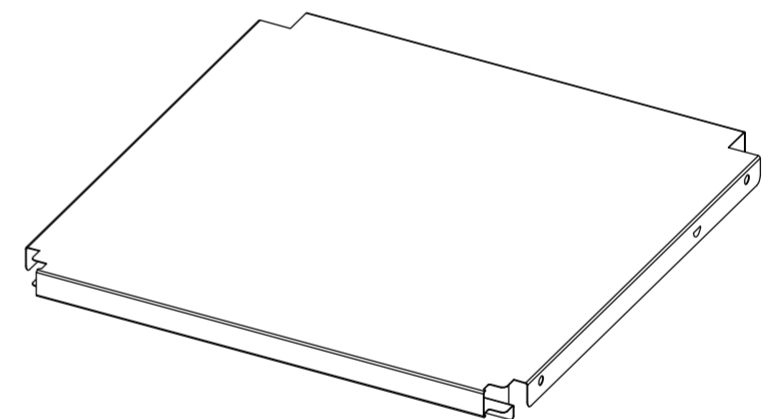
Ⓒ 1pc



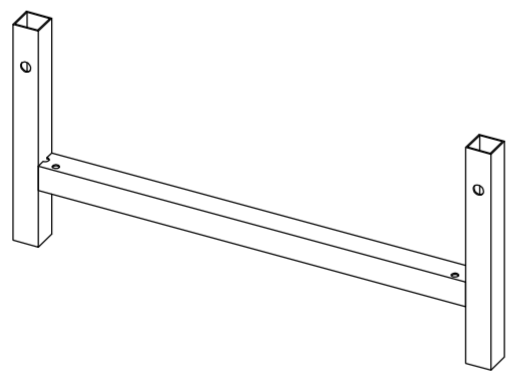
Ⓓ 1pc



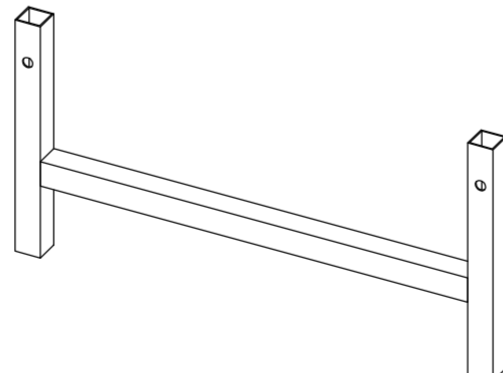
Ⓔ 1pc



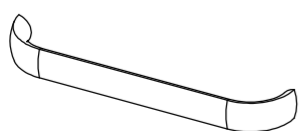
Ⓕ 1pc



Ⓖ 1pc



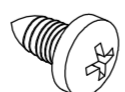
Ⓗ 1pc



Ⓖ 1pc



Ⓜ 2pc



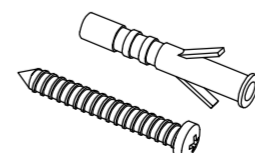
Ⓝ 10pc



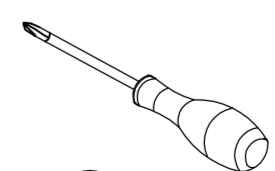
⓪ 1pc



Ⓟ 2pc

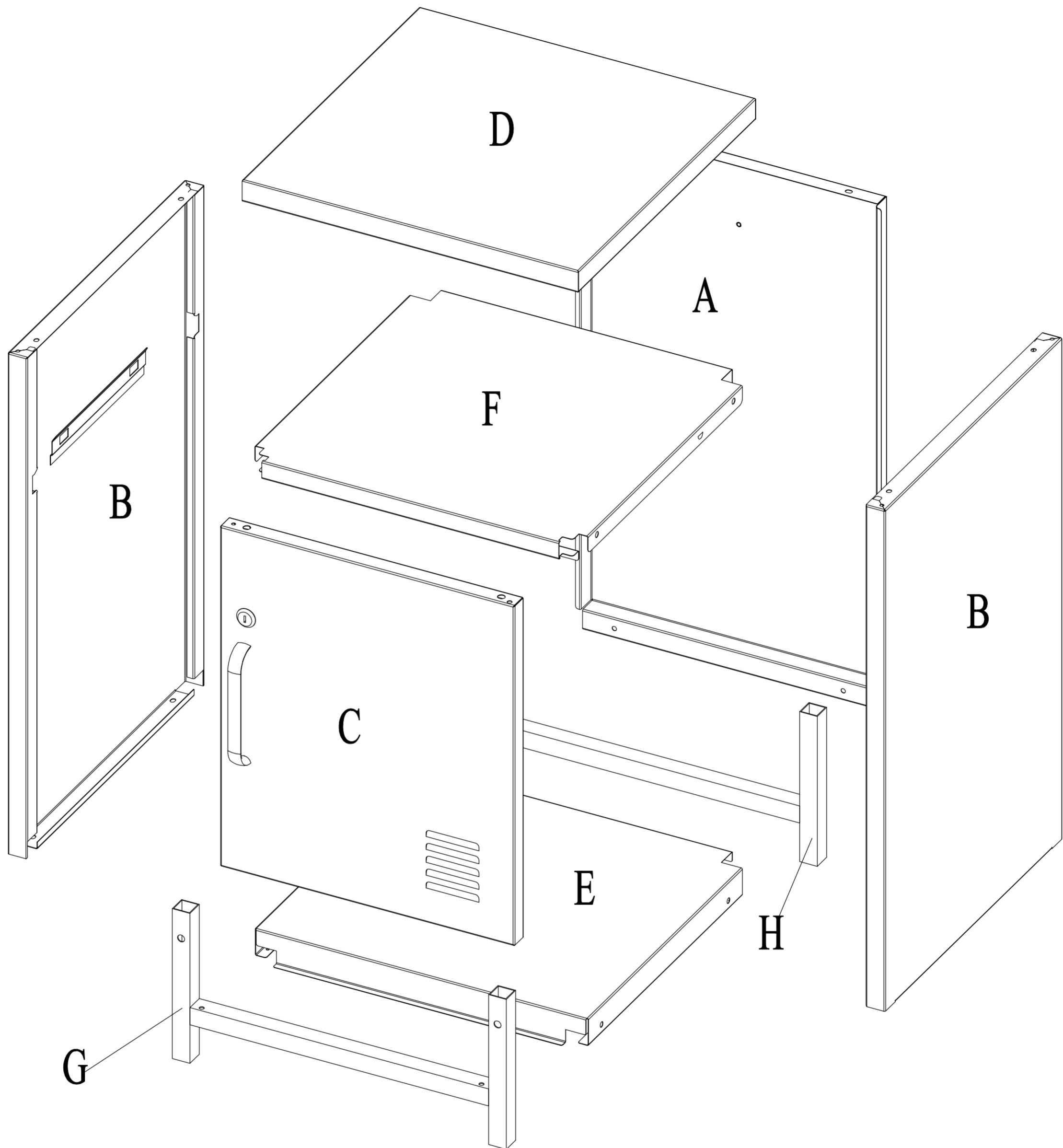


Ⓠ 1pc



Ⓡ 1pc

# Installation Steps

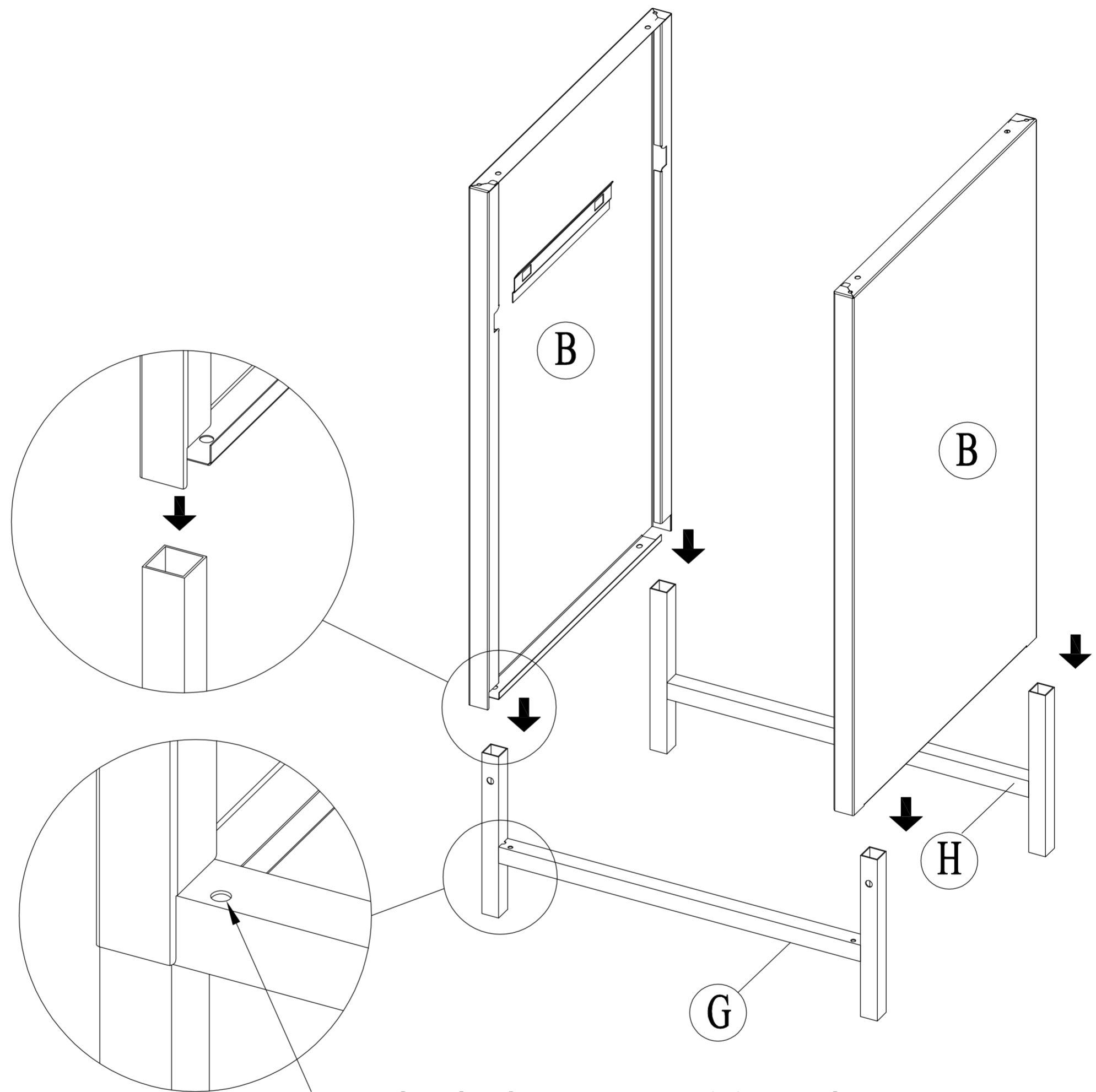
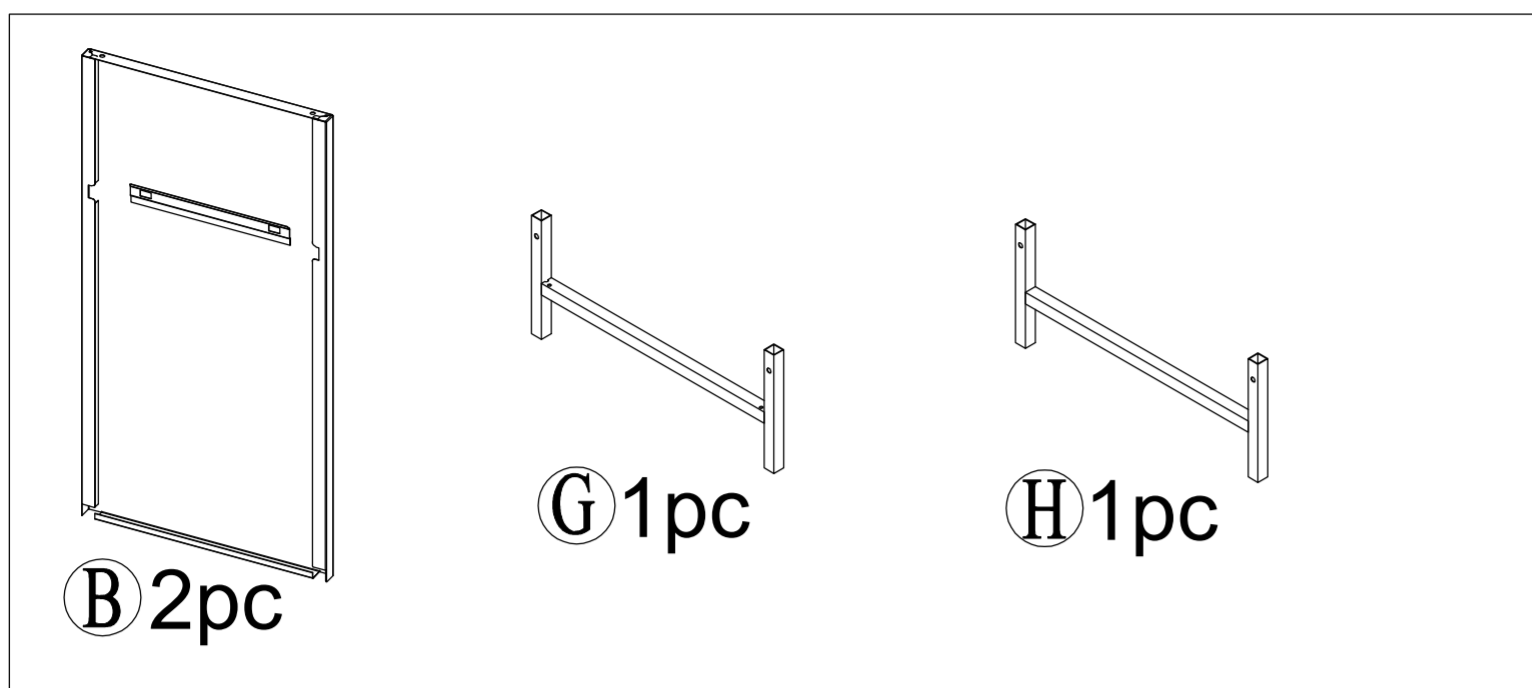


## Checking

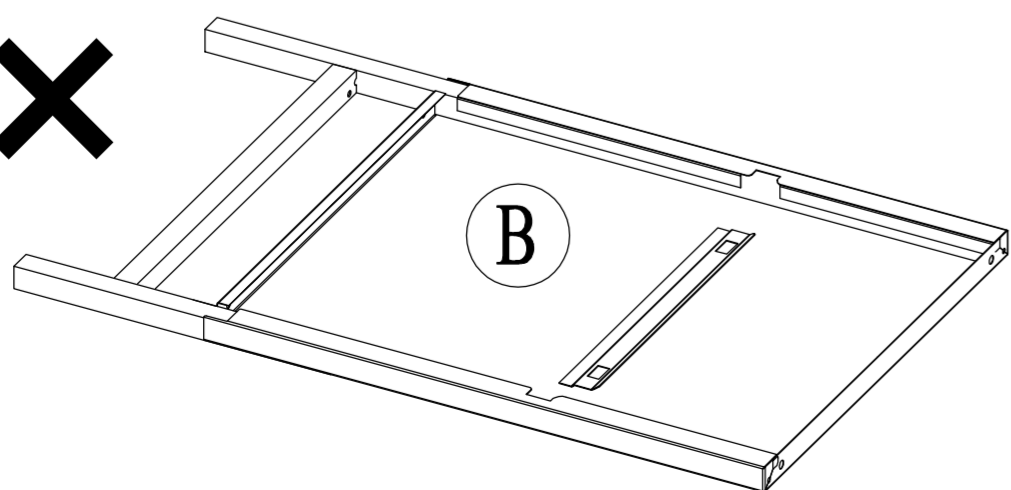
Before starting the installation process, please check that all parts are present and undamaged.

Ensure that the parts and quantities in the package correspond with the Part List. If there are any mistakes or missing parts, kindly contact us through the purchase platform for assistance.

# STEP 1

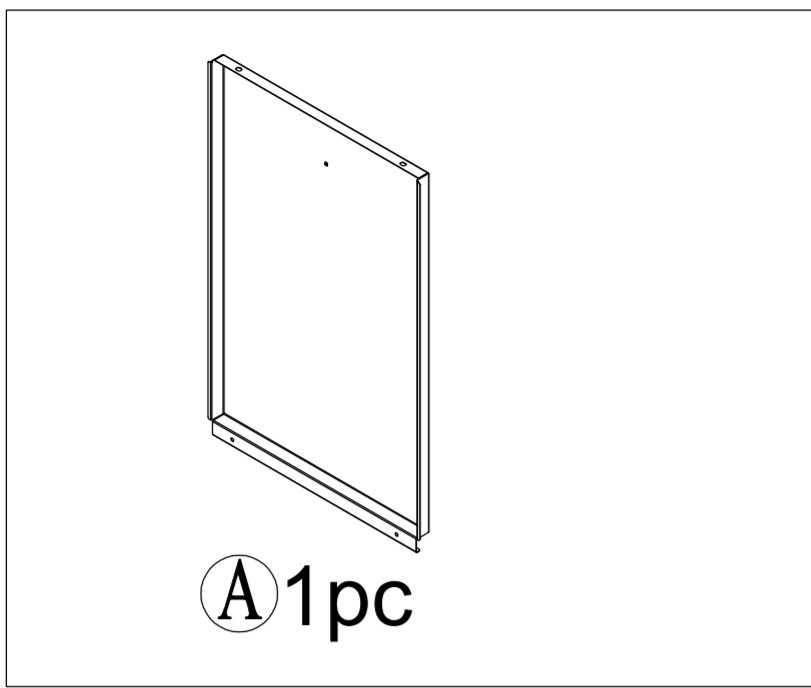


Ensure the holes are positioned toward the outside.

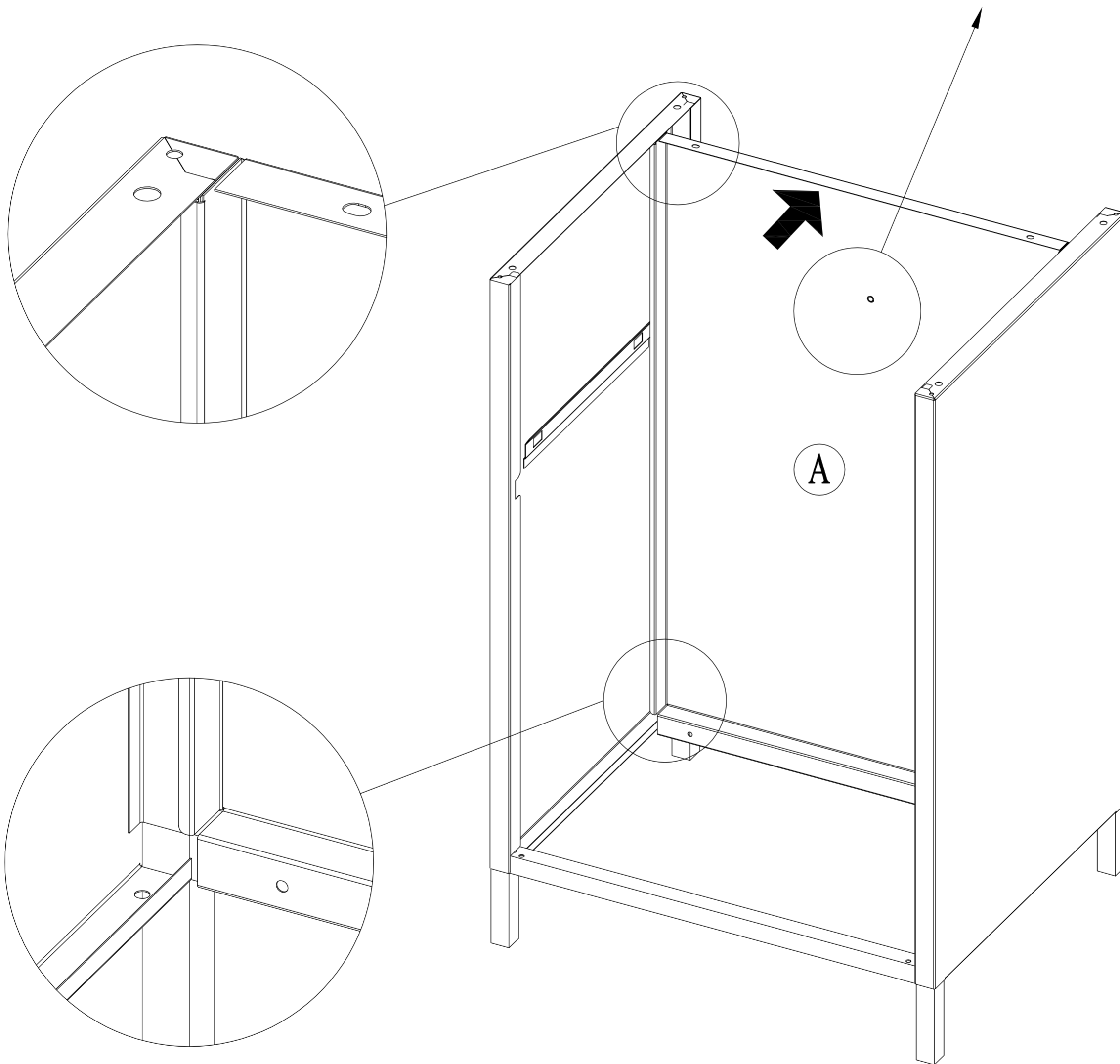


Tlps : one piece side panel and leg accemble together is incorrect.

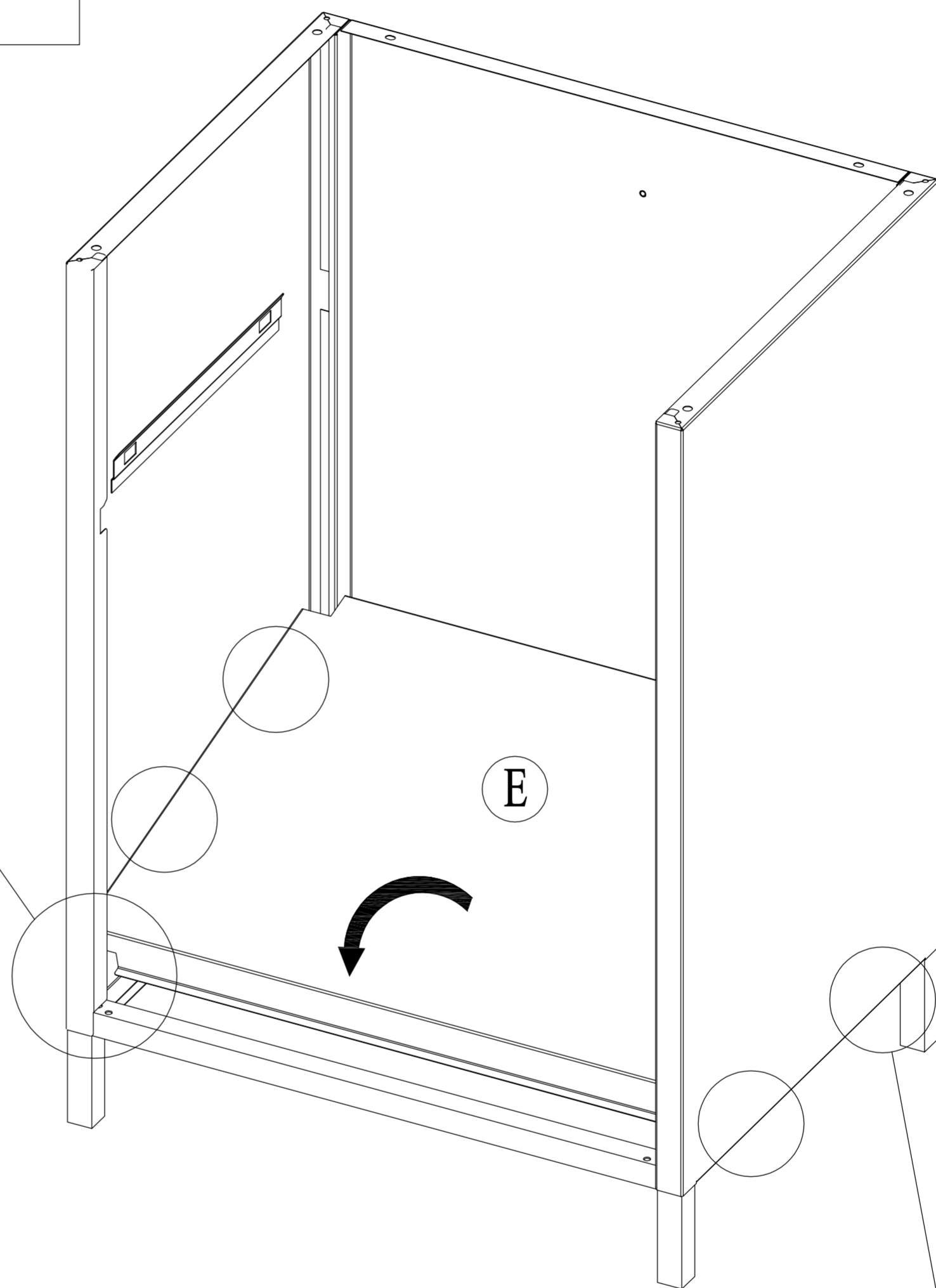
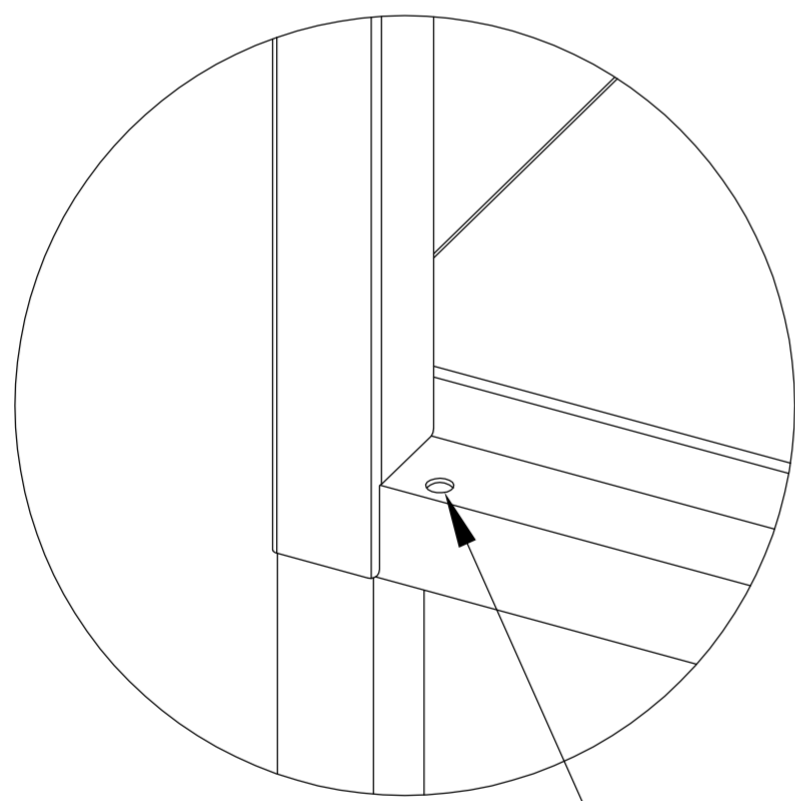
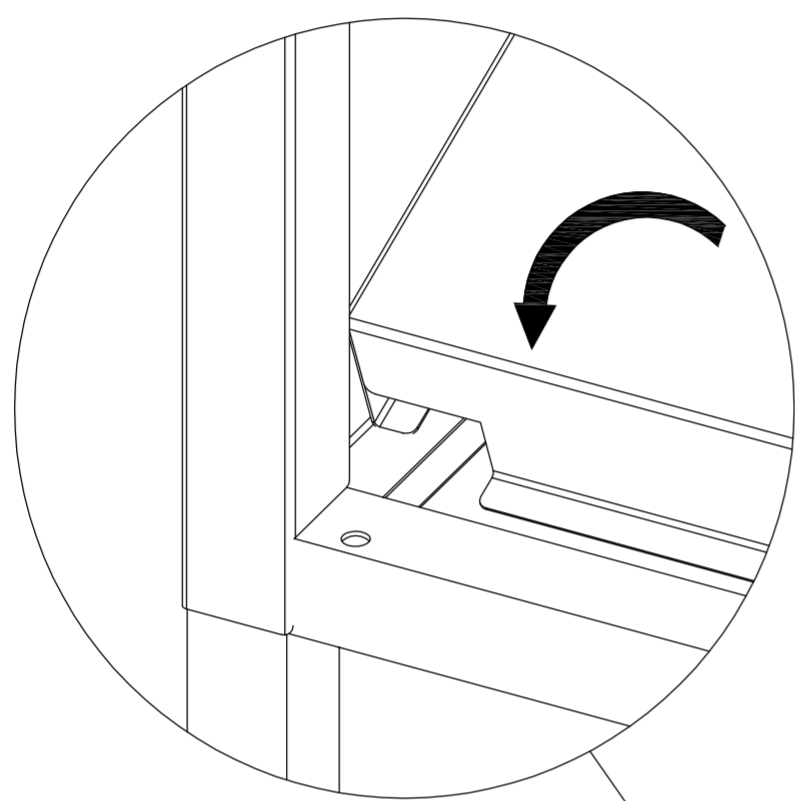
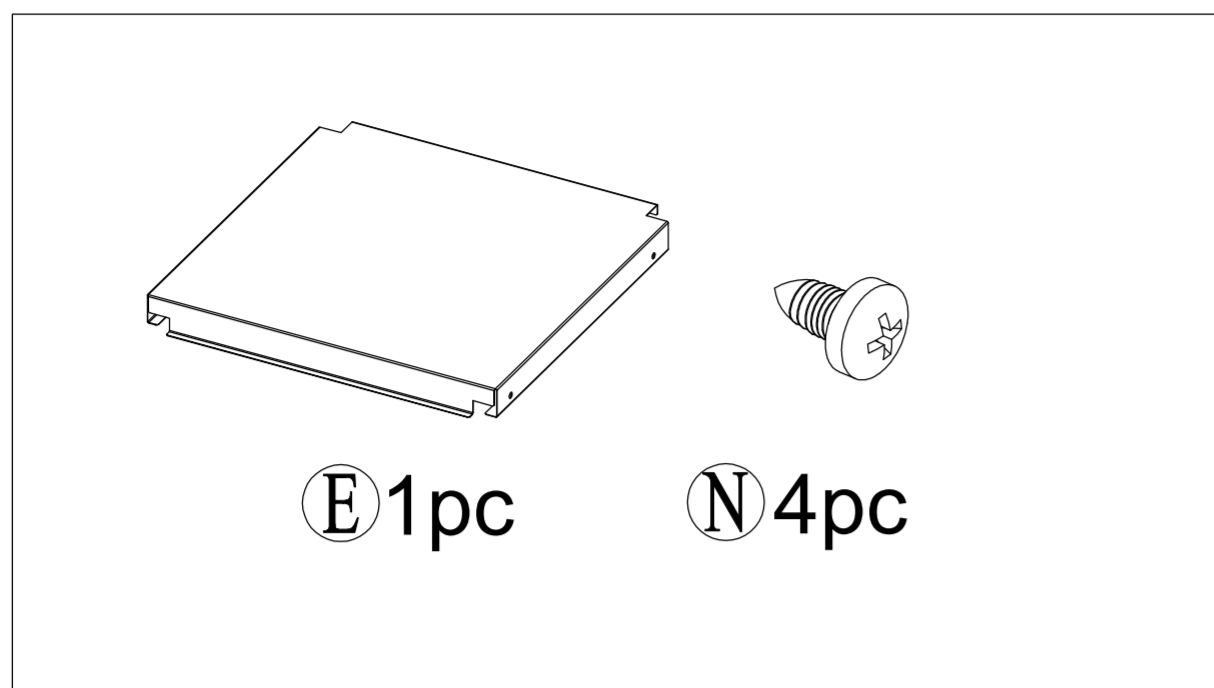
## STEP 2



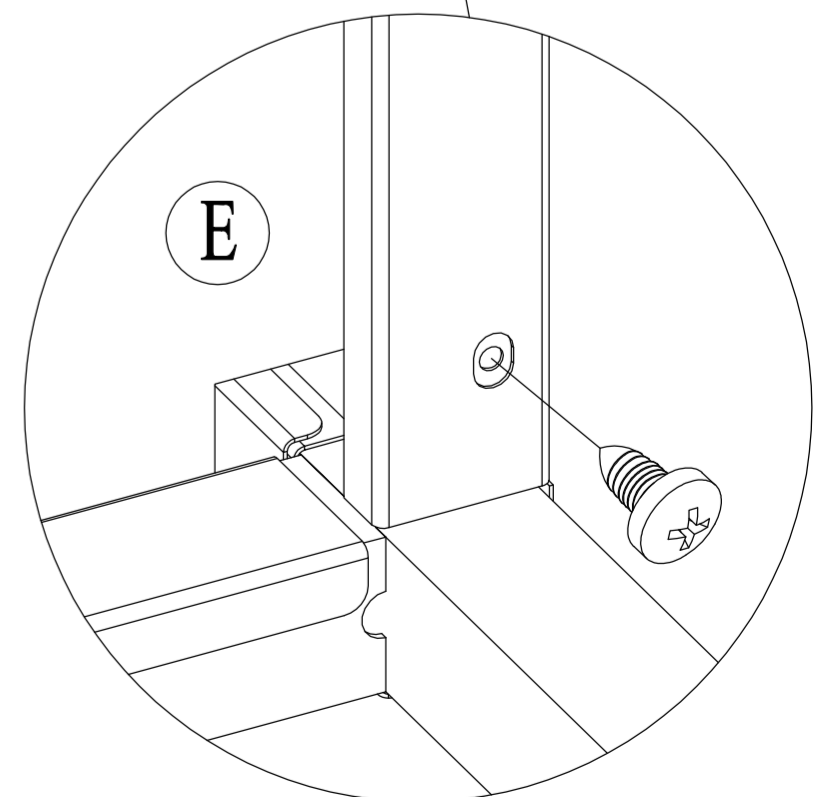
Tip: The hole on the back panel should be positioned at the top.



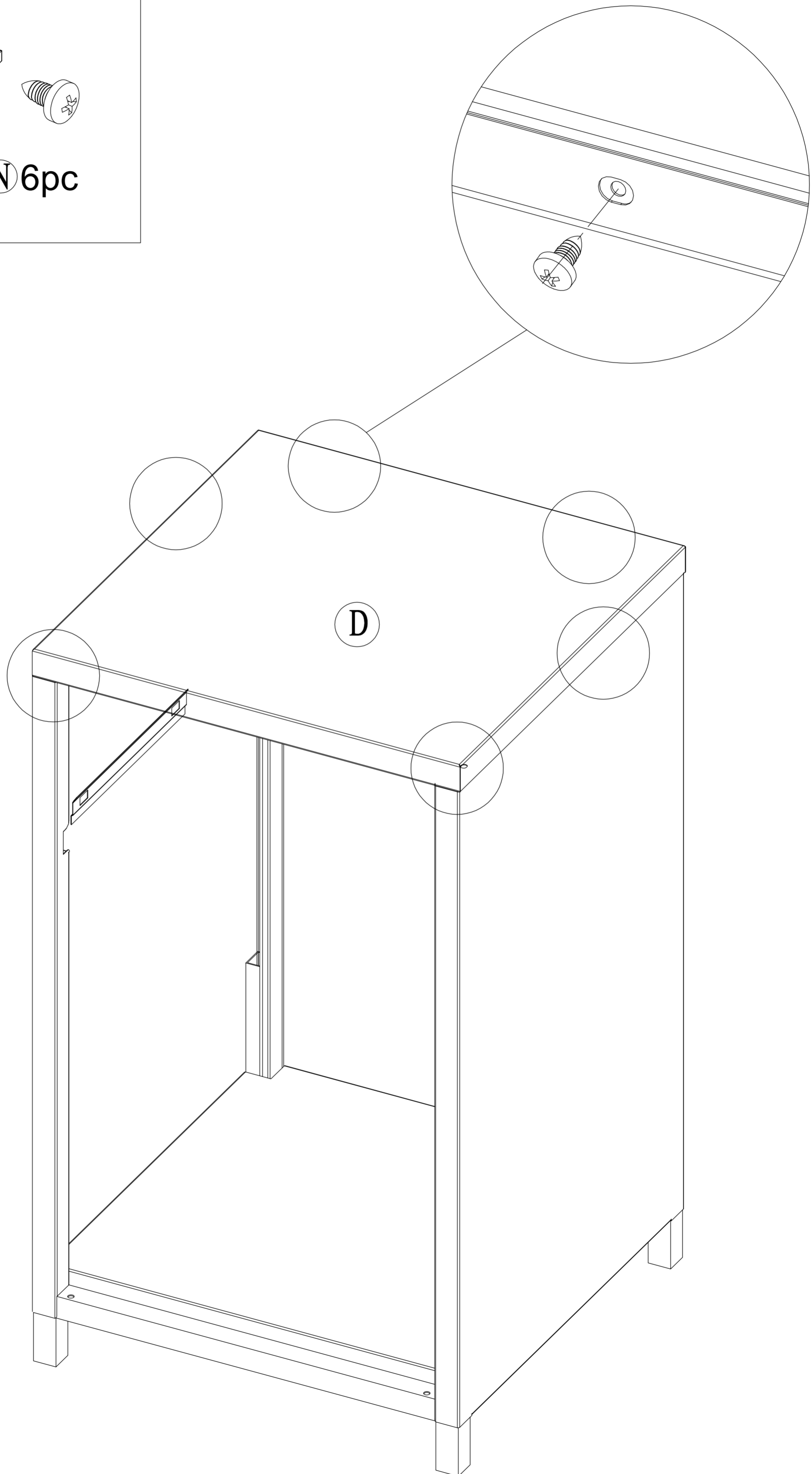
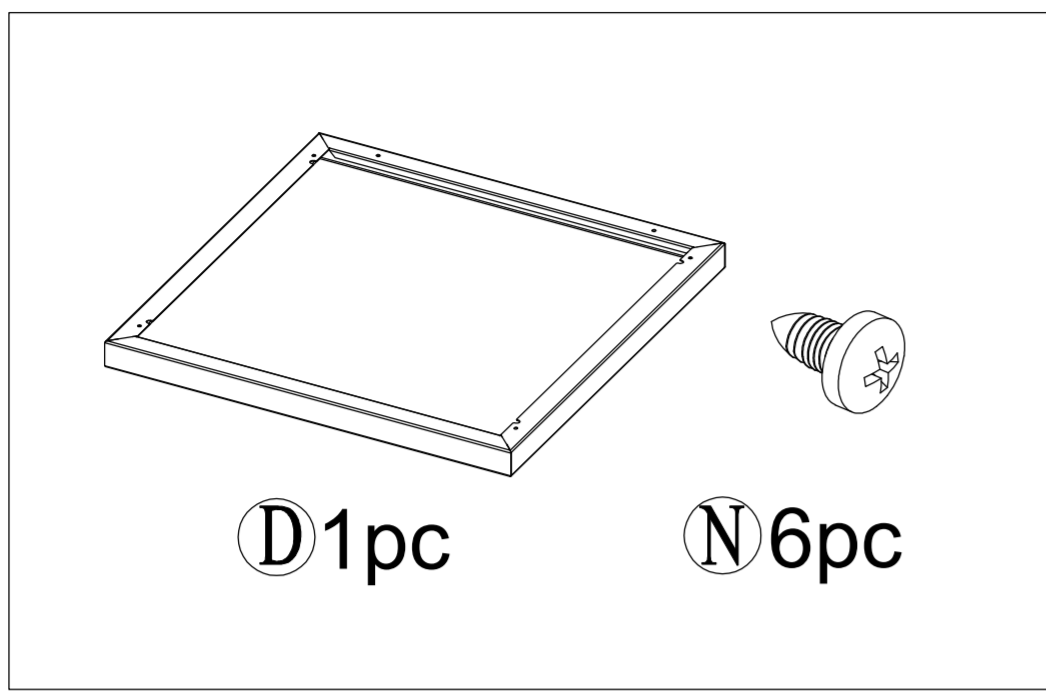
# STEP 3



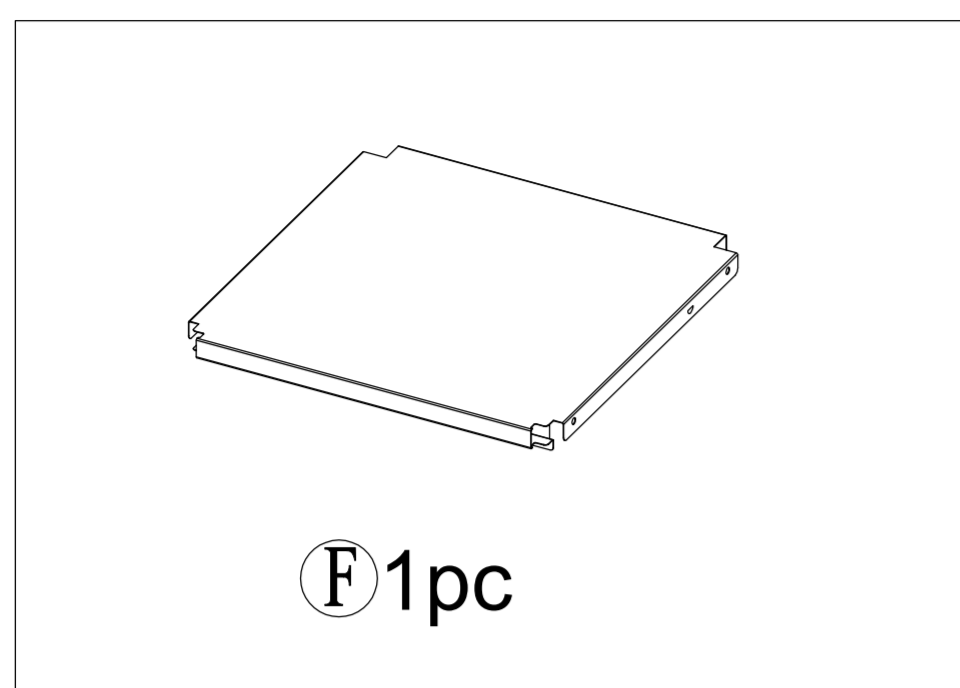
Ensure the holes are positioned toward the outside.



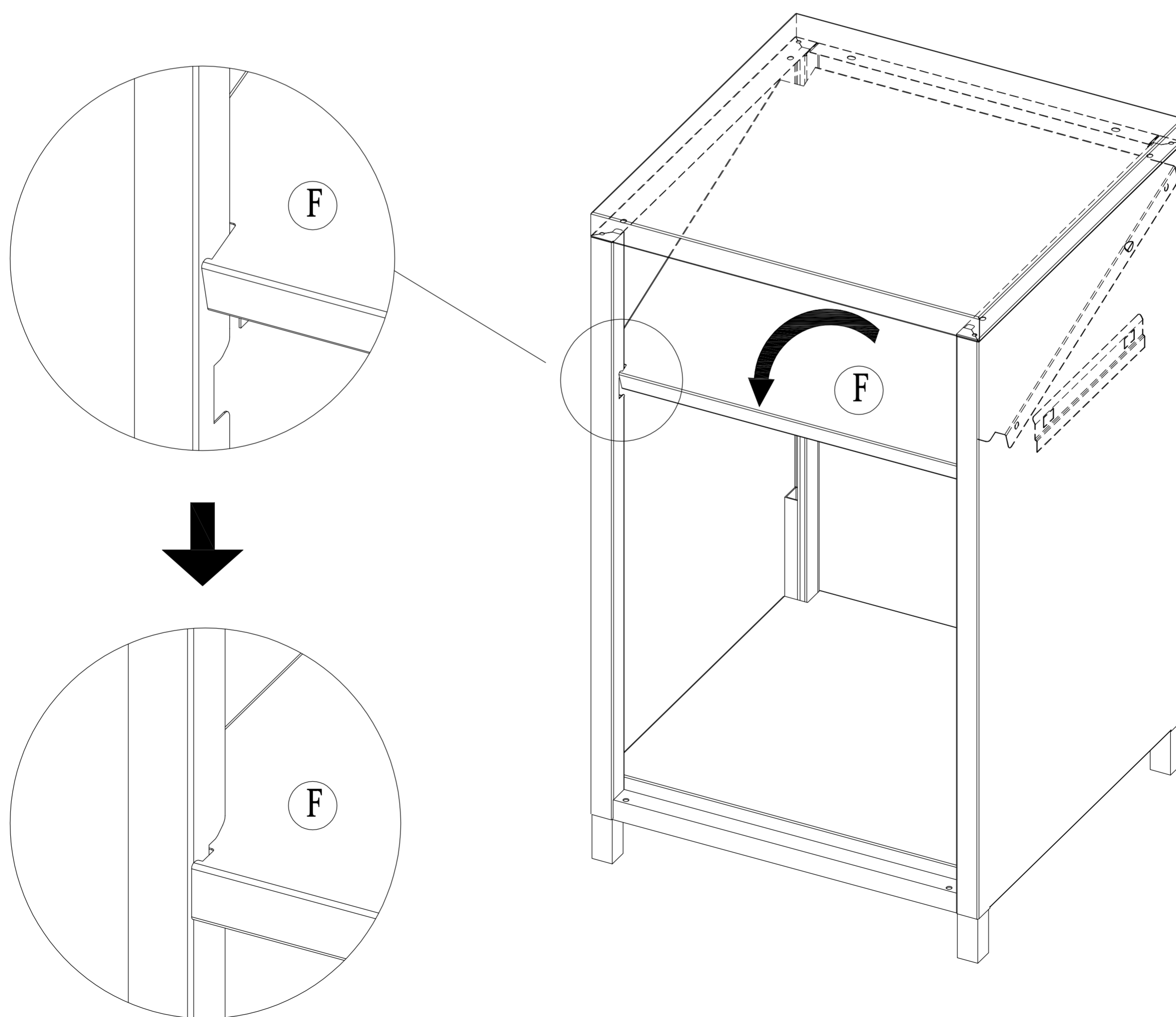
# STEP 4



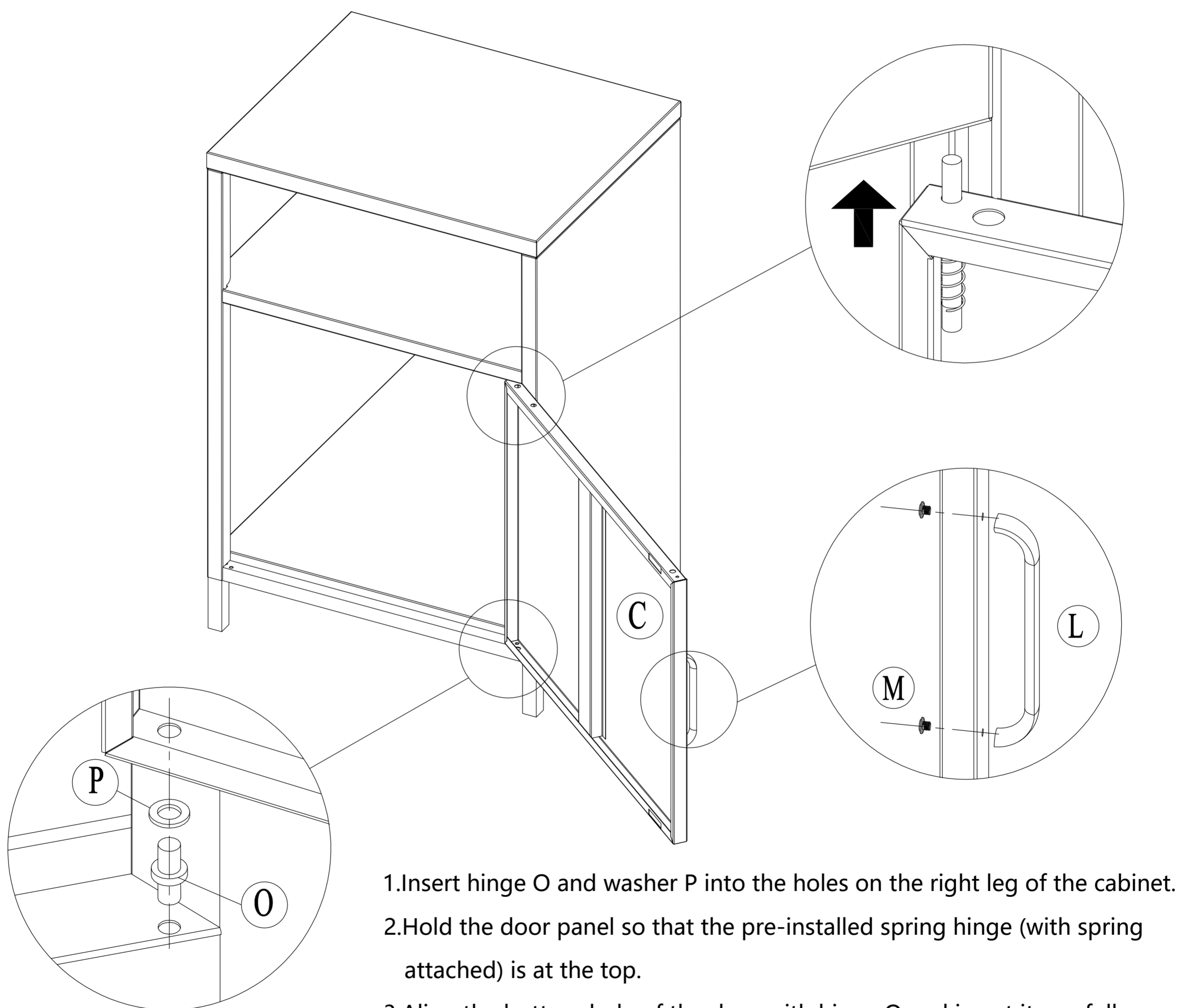
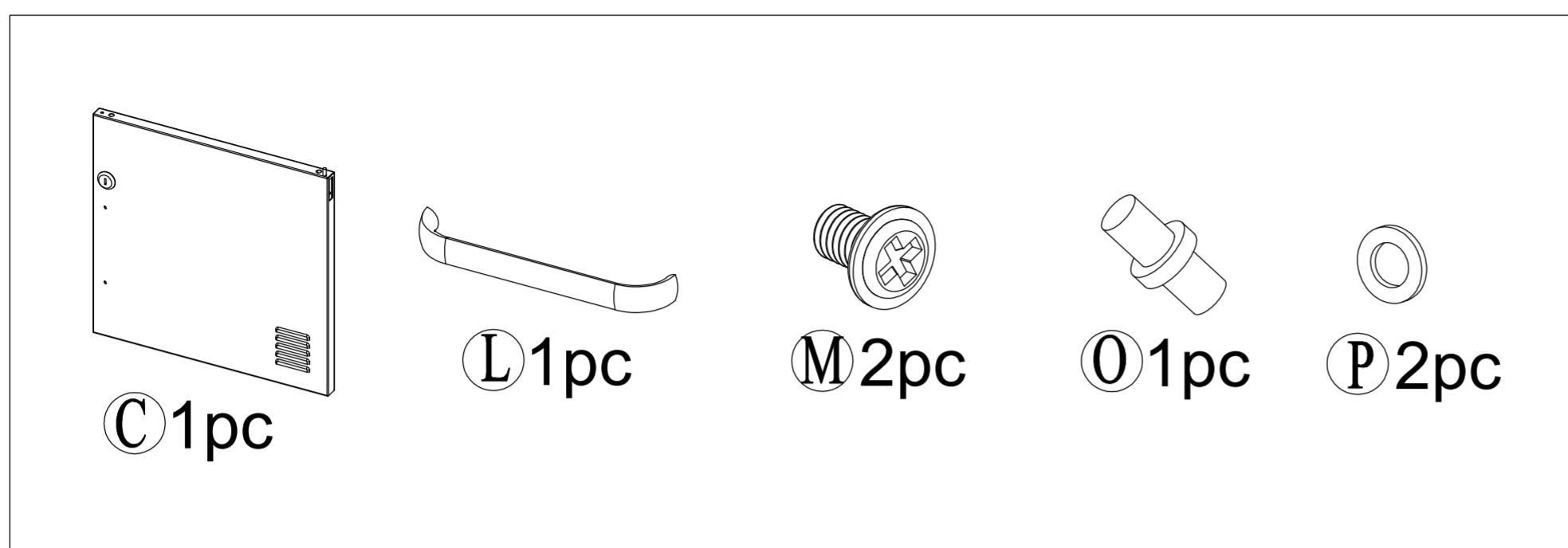
## STEP 5



Step: When installing panel F, insert it diagonally into the cabinet first. Then adjust the position so that the front edges align with the grooves on cabinet both sides. Finally, press down the back end of panel F to secure it in place.

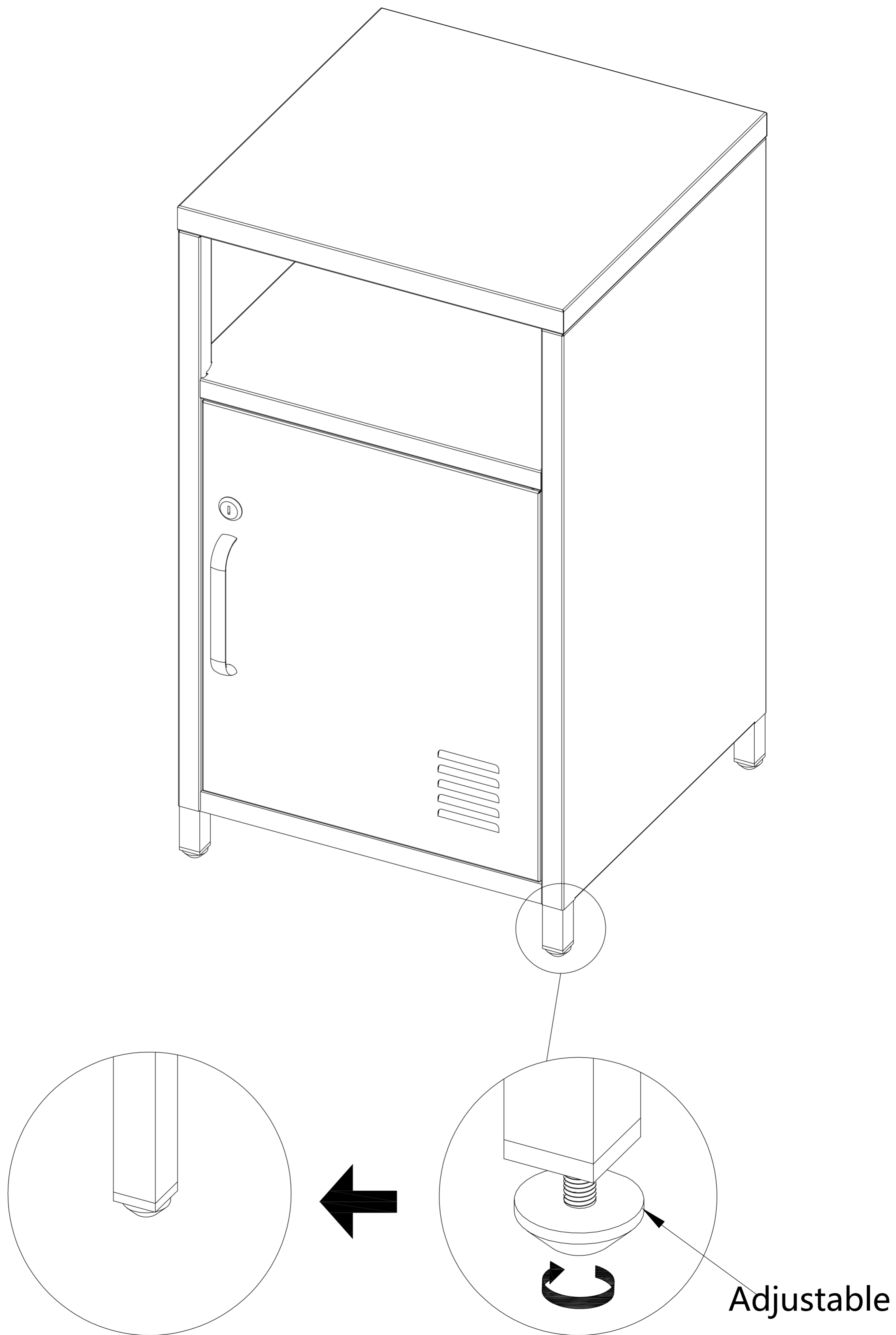


## STEP 6

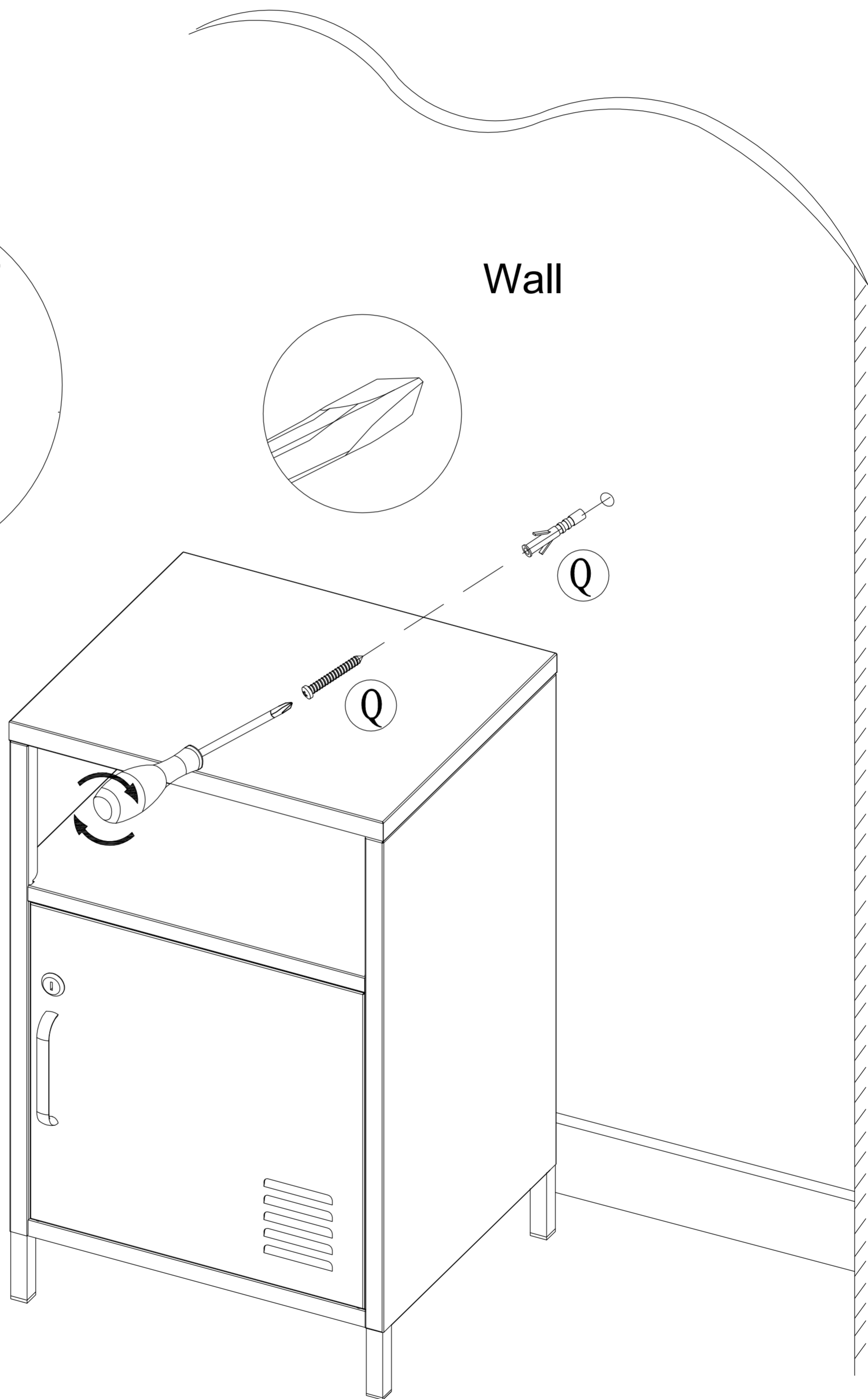
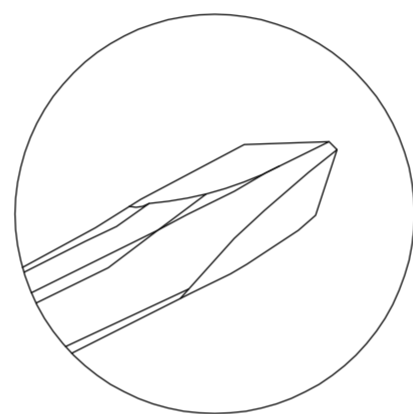
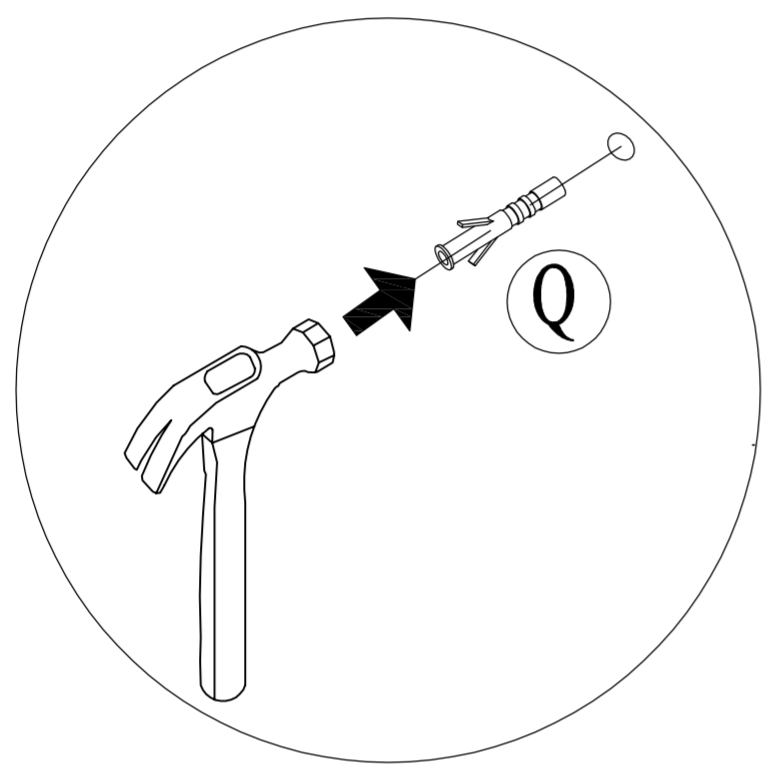
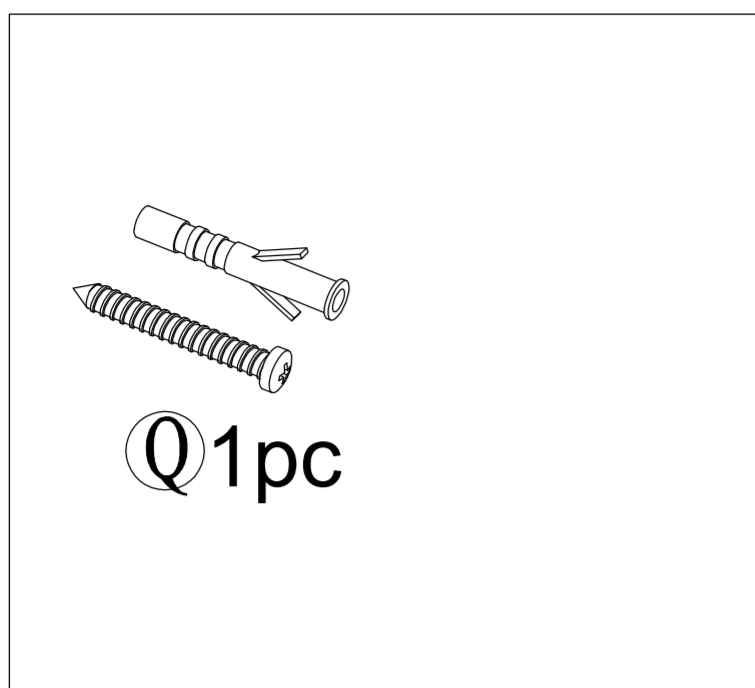


1. Insert hinge O and washer P into the holes on the right leg of the cabinet.
2. Hold the door panel so that the pre-installed spring hinge (with spring attached) is at the top.
3. Align the bottom hole of the door with hinge O and insert it carefully.
4. While keeping hold of the door, slowly swing it toward the closed position.
5. Press down the upper spring hinge, then fully close the door so the hinge automatically pops into the upper hole.
6. The door installation is complete.

# STEP 7

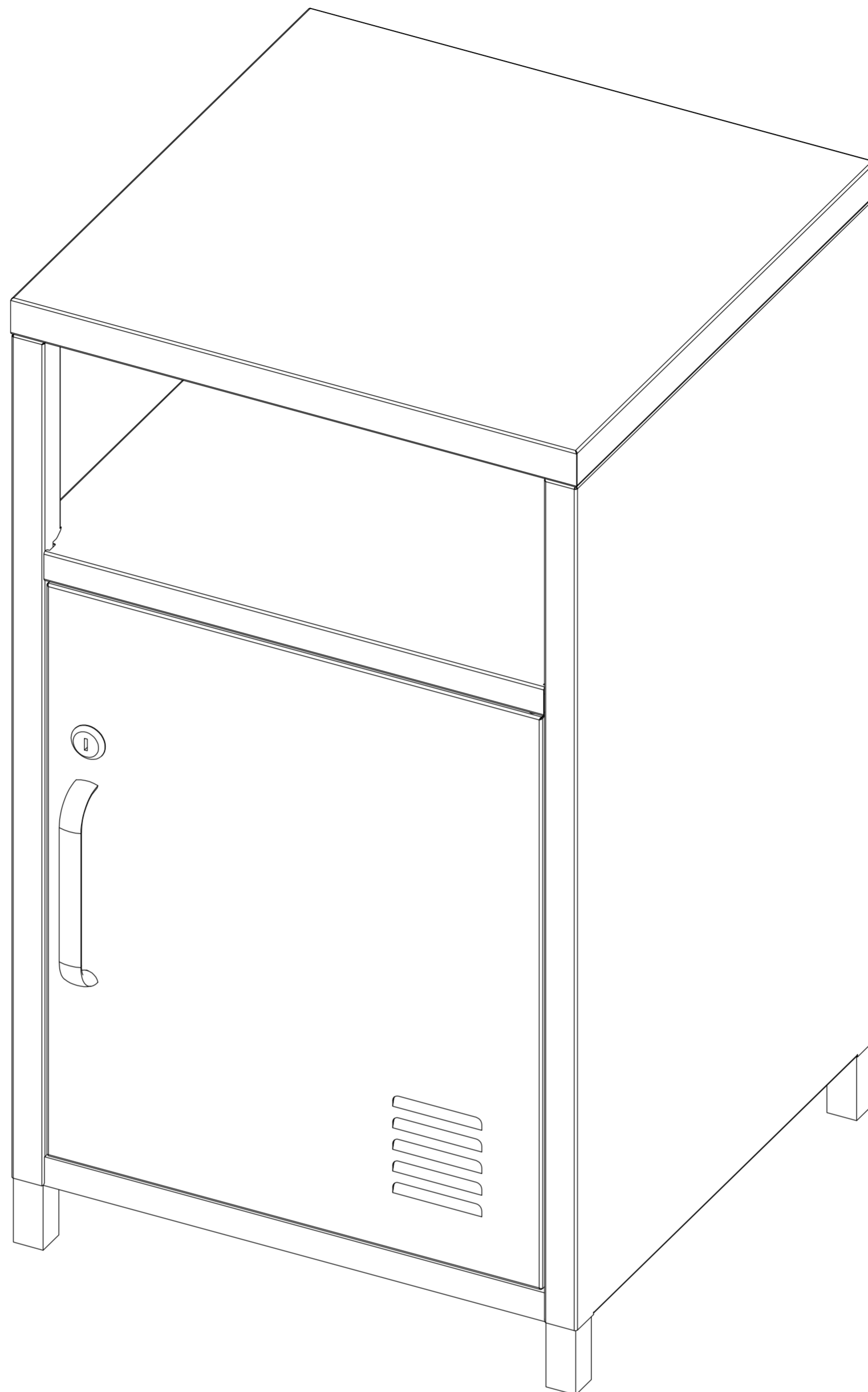


# STEP 8



Wall Anchor Screw "Q" through holes and fastens to the wall

## STEP 9



## Security/ Notice

- To ensure safe installation and use of this product, please follow these security notices:
- During initial assembly, fasten screws loosely and avoid firmly tightening them until the item is fully assembled.
  - Some parts of the product may be heavy and have sharp edges. Please handle with care.
  - Stop using this item immediately if any parts are missing, broken, damaged, or worn, until repairs are made or factory replacement parts are installed.
  - Reconfirm that all bolts, screws, and knobs are securely fastened every 90 days.
  - Avoid using this item in a way inconsistent with the manufacturer's instructions, as this could void the product warranty.

# Warranty Guidelines

.We offer a limited warranty period that begins on the date of shipment from the company for factory direct purchases, or on the date of purchase from an authorized reseller.

Please keep a copy of your purchase receipt.

·If this product or any associated parts are found to be defective or missing at the time of receipt, the company will repair or replace the defective parts at no charge to the original purchaser. Replacement parts or repaired parts shall be covered for the remainder of the Original Limited Warranty Period. All shipping costs will be the responsibility of the seller.

·We provide continuous free technical support, including online diagnosis and troubleshooting to help solve any issues that arise. To process your warranty claim, please upload a copy of your receipt along with AT LEAST 2 photos of the issue/damaged parts. Failure to do so may result in the supplier refusing replacement parts or credit.

.If a warranty claim is made 30 days after purchase for missing or defective parts, the consumer is responsible for the costs of parts and shipping.

·The company reserves the right to the final explanation of the above warranty policy. Please contact our customer service team via email at [email protected] for more information.

What is not covered by this limited warranty?

- Item past the warranty.
- Products that have been subjected to abuse, obesity, accident, alteration, modification, tampering, vandalism, negligence, misuse, abrasive contact, faulty installation or lack of reasonable care.
- Damage to the contents of products, any person or property is excluded. Normal and foreseeable service wear or tear.
- Parts were damaged due to improper installation or assembly.
- Damage that occurs due to acts of nature, i.e. hurricane, tornado, wind, flood, snow, wind driven debris, etc.
- Third party labor or installation fees of any kind are not recoverable under the warranty. Other circumstances are stipulated by law.

# Return Policy

**We want you to be completely satisfied with your purchase. If for any reason you are unsatisfied with the product or have received the wrong item, you may return it within 1 month of receiving the item. To initiate the return process, simply contact us via platform message, and we will provide you with a free prepaid return label.**

**Please note that the item should be returned in its original unused condition and in the original packaging. Once we have received and inspected your returned order, refunds typically take 2 business days. However, please be aware that the refund may be partially deducted in the following cases:**

- 1. If the returned item condition is different from reported.**
- 2. If parts used or missing from the returned item**
- 3. If the return is due to buyer remorse, such as the item no longer being needed, wrong color/size purchased, doesn't fit or is not liked. Please keep in mind that the Return Policy may not apply in all cases, depending on factors such as the condition of the product, where the product was purchased, or whom you purchased the product from. If you have any questions, please email the purchase platform.**