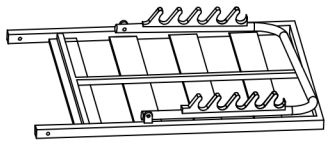
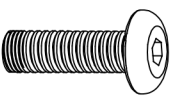
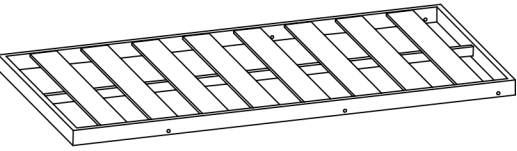
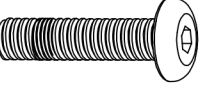


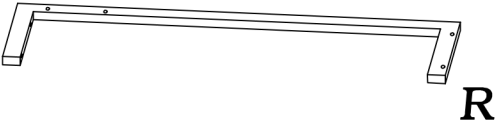
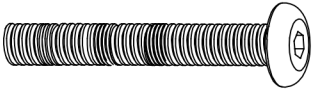
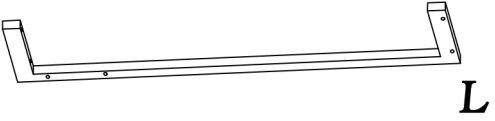
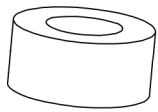
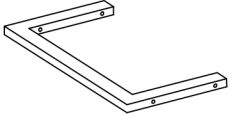

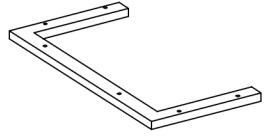


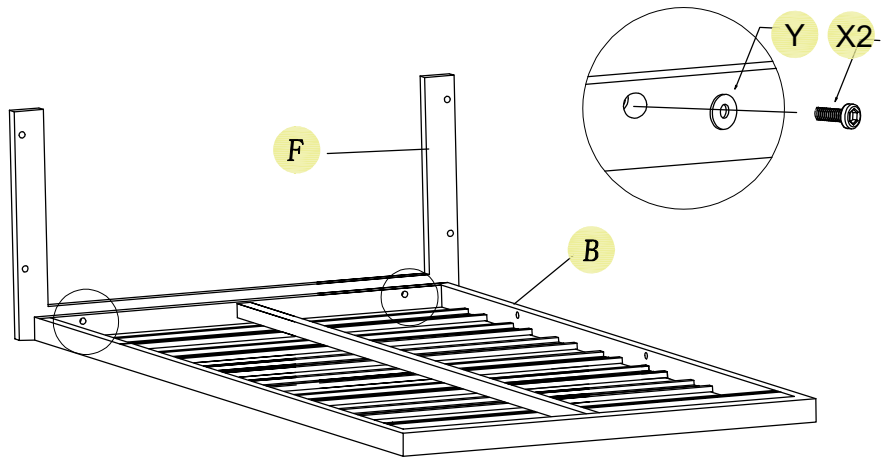
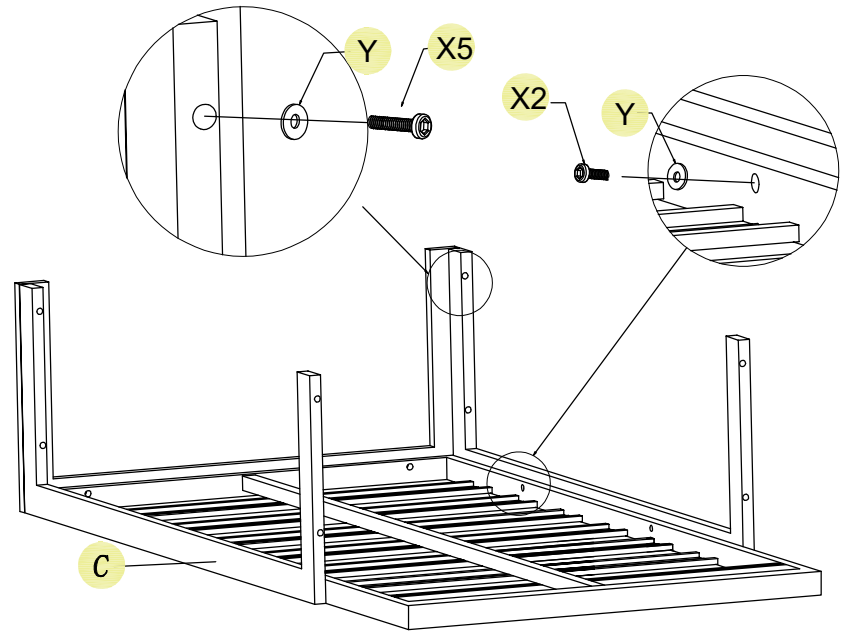


NO.		QTY	NO.		QTY
A		1	X1	 M6x20	2
B		1	X2	 M6x25	8
C		2	X4	 M6x45	2
D1	 R	1	X5	 M6x50	12
D2	 L	1	M		2
E		1	Y		24
F		1	Z		1
G		1			

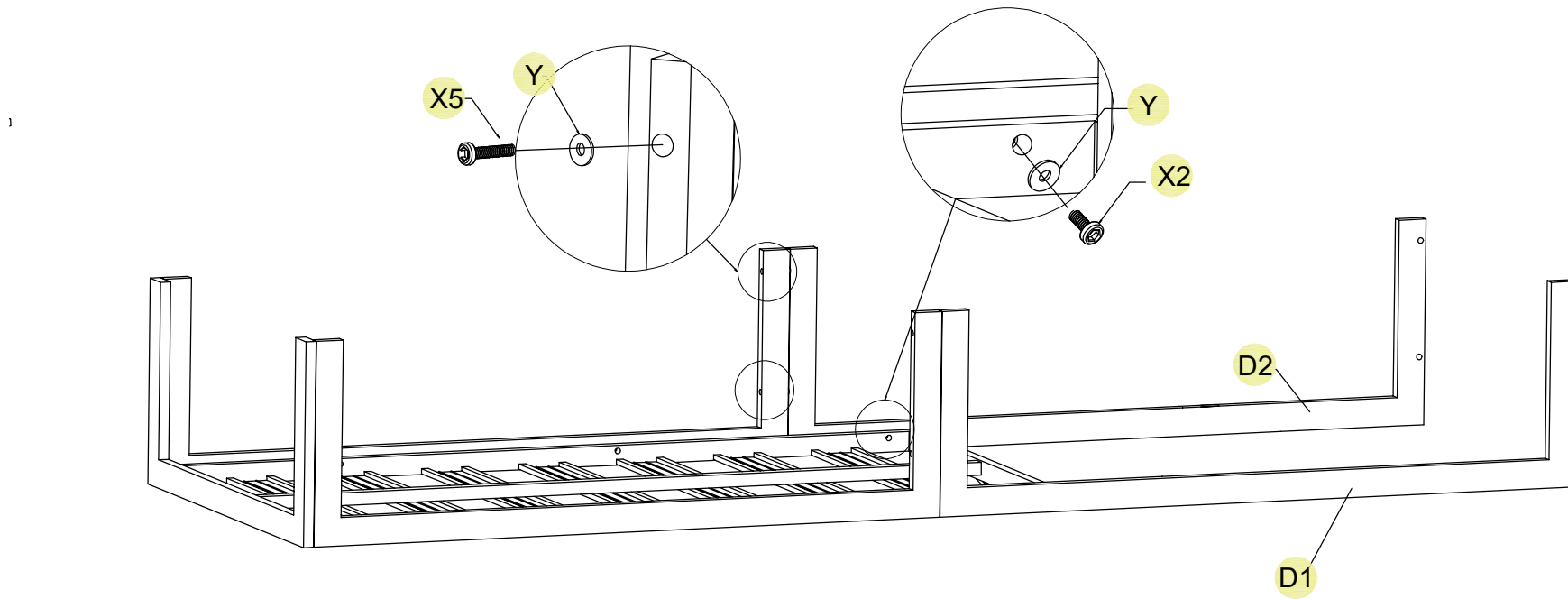
STEP 1



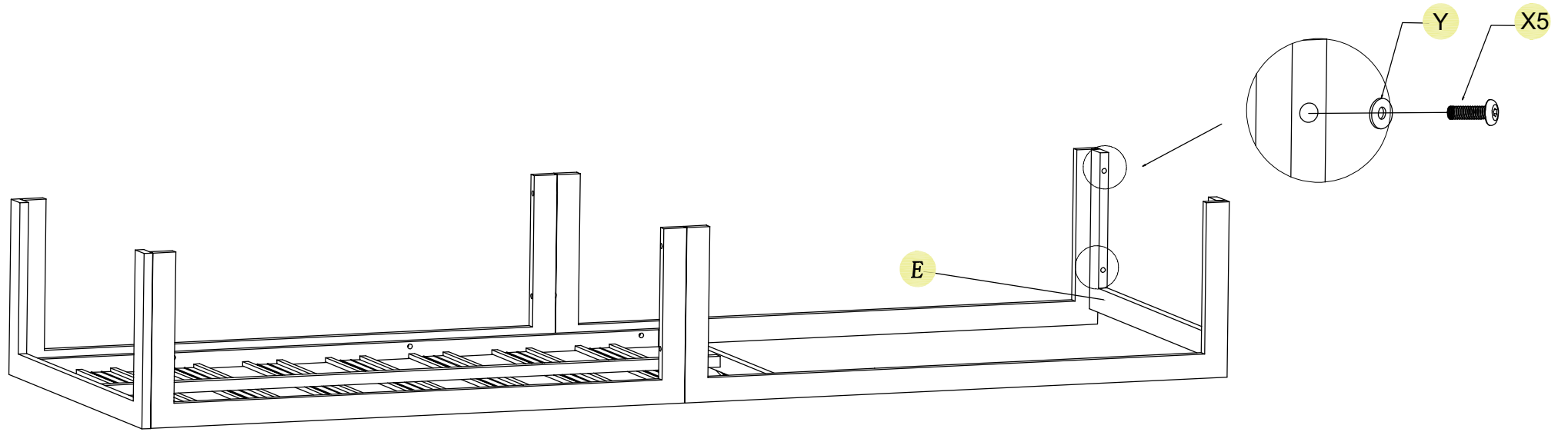
STEP 2



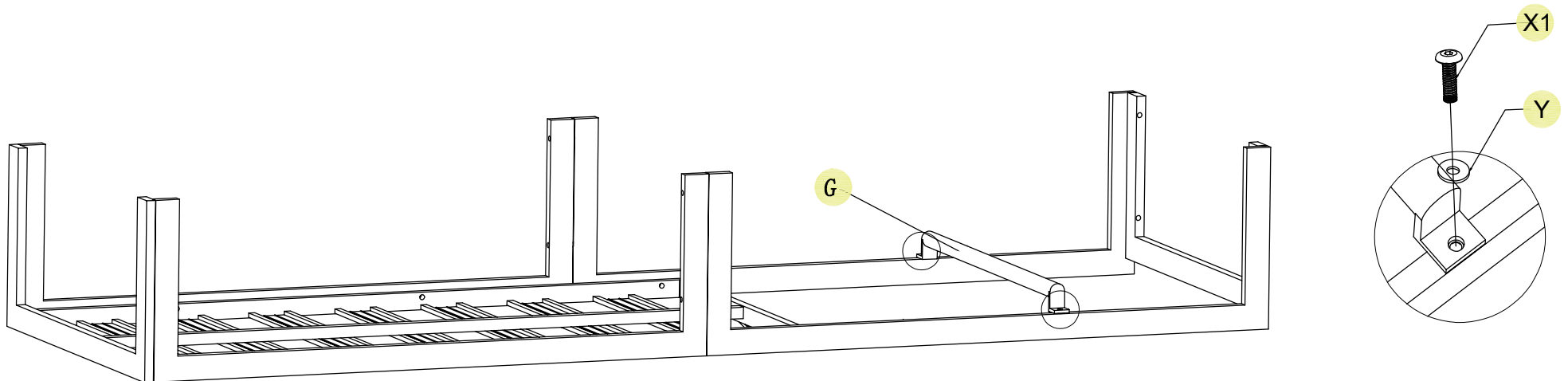
STEP 3



STEP 4



STEP 5



STEP 6

