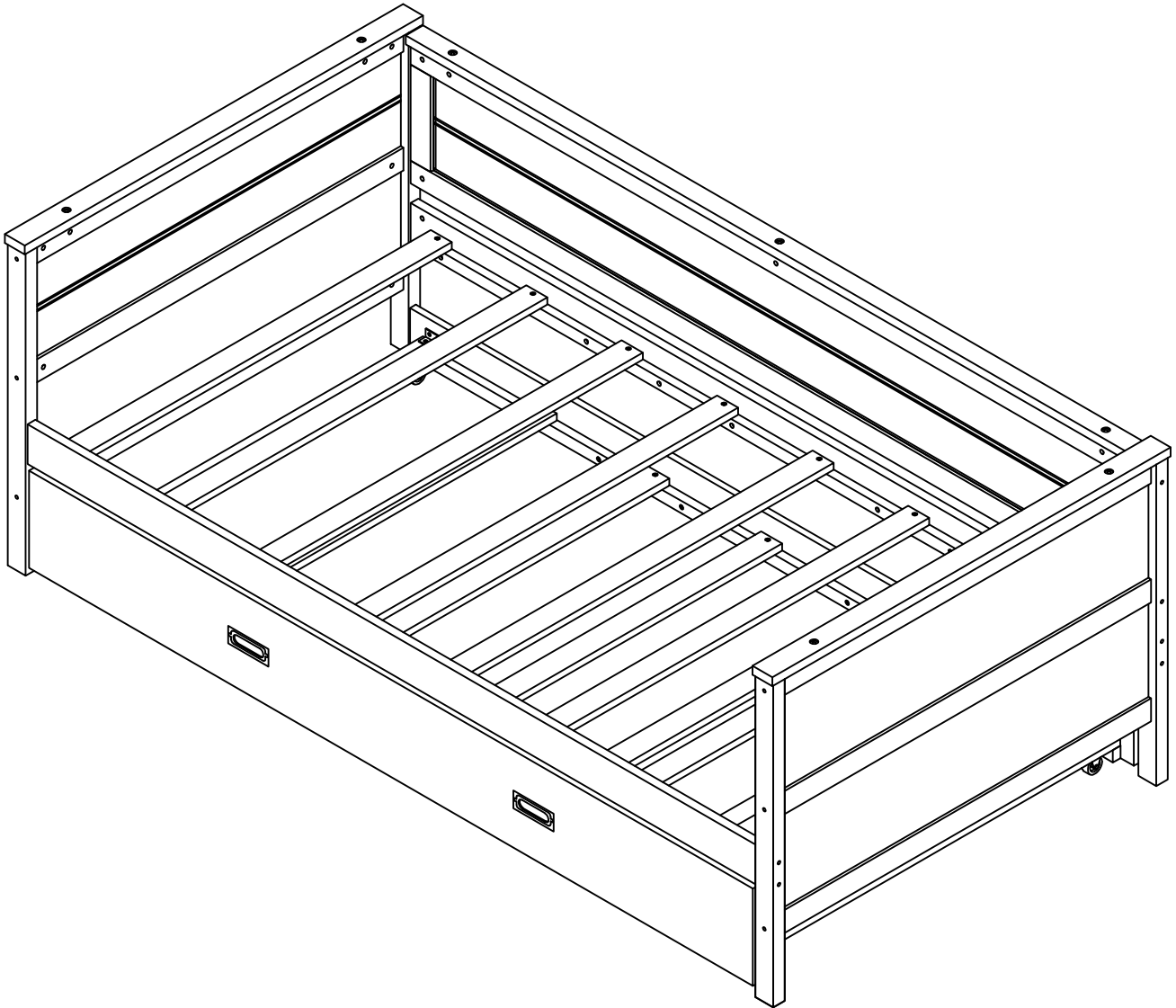


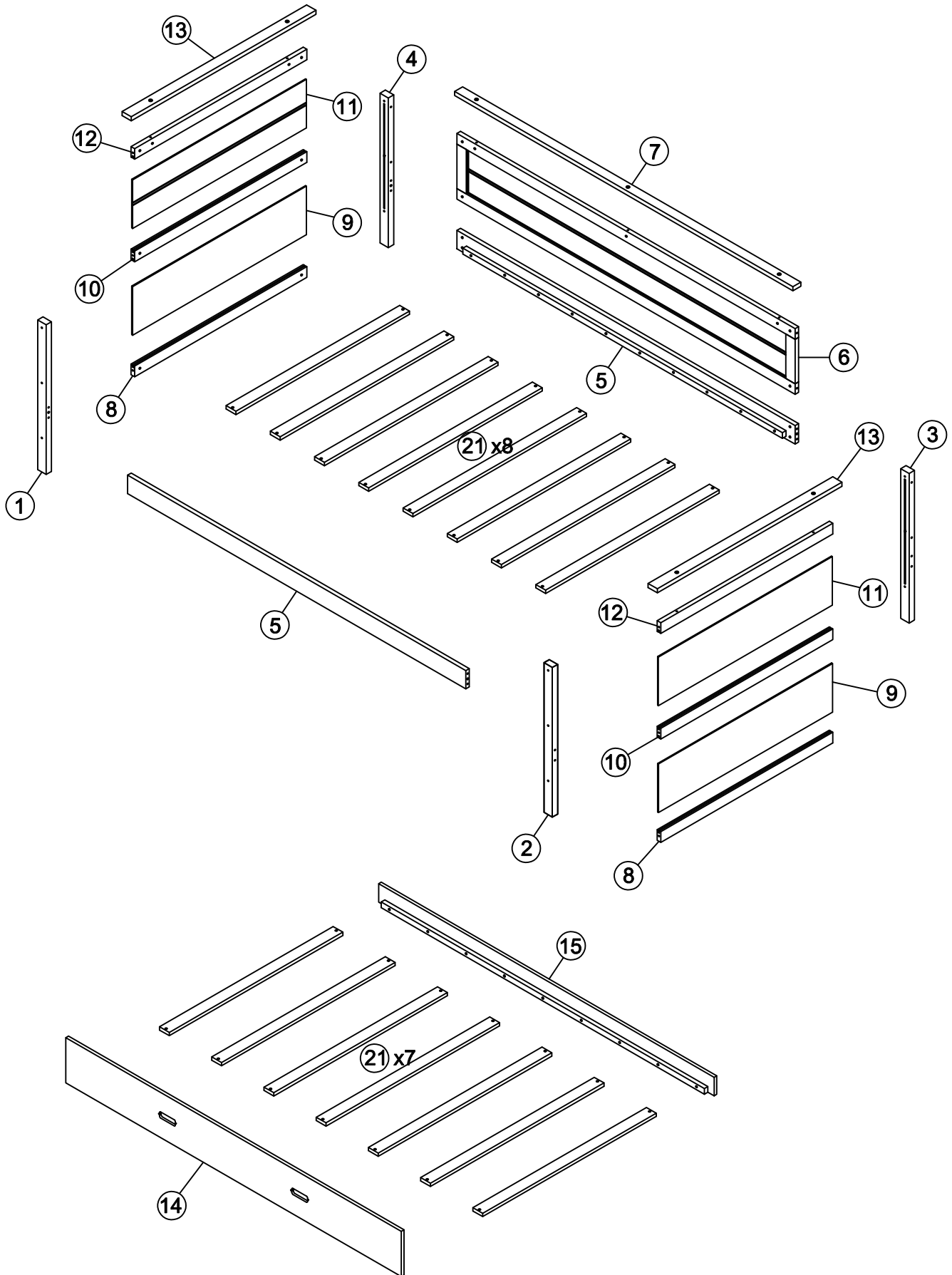
# ASSEMBLY INSTRUCTIONS

## TWIN DAY BED WITH TRUNDLE



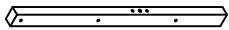
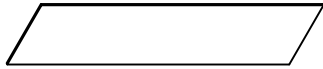
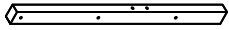


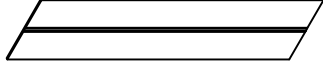
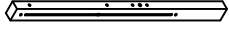
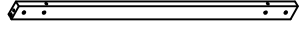
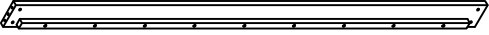
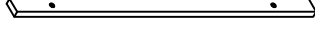
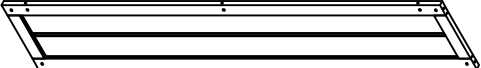
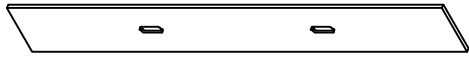
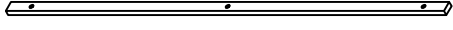



WF320978

# ASSEMBLY INSTRUCTIONS




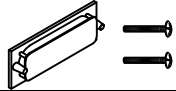



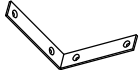

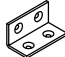

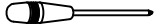


# ASSEMBLY INSTRUCTIONS

## WF320978 (Hardware in this SKU)

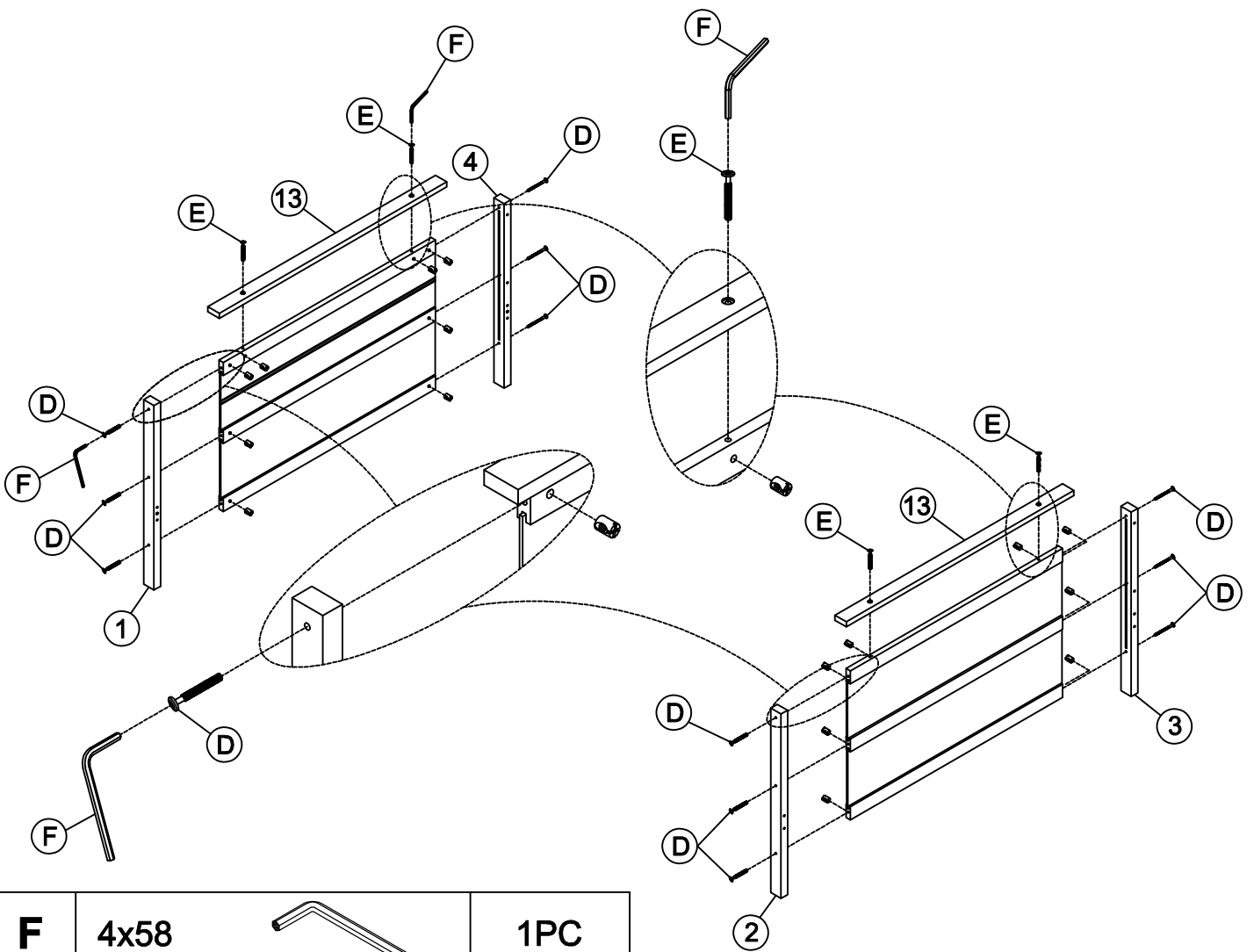
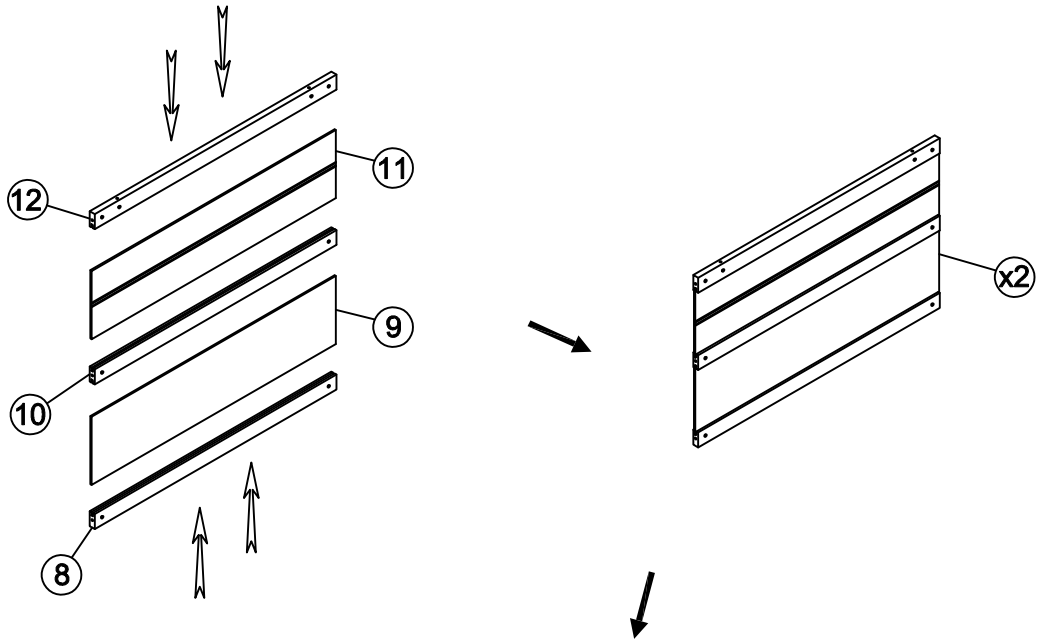
<b>1</b>	Leg		1pc	<b>9</b>	Headboard frames		2pcs
<b>2</b>	Leg		1pc	<b>10</b>	Headboard panel		2pcs
<b>3</b>	Leg		1pc	<b>11</b>	Headboard frames		2pcs
<b>4</b>	Leg		1pc	<b>12</b>	Headboard panel		2pcs
<b>5</b>	Side rails		2pcs	<b>13</b>	Headboard panel		2pcs
<b>6</b>	Headboard frames		1pc	<b>14</b>	Front trundle panels		1pc
<b>7</b>	Headboard panel		1pc	<b>15</b>	Back trundle panels		1pc
<b>8</b>	Headboard panel		2pcs	<b>21</b>	Slats		15pcs




## WF320978 (Hardware in this SKU)

<b>A</b>	Ø4x30		30PCS	<b>G</b>	Ø10x40		4PCS
<b>B</b>	Ø4x15		32PCS	<b>H</b>	105x39x12		2PCS
<b>C</b>	1/4x90		12PCS	<b>I</b>	Ø38x46x38		4PCS
<b>D</b>	1/4x75		12PCS	<b>J</b>	95x95x20		2PCS
<b>E</b>	1/4x50		7PCS	<b>K</b>	40x20x20		2PCS
<b>F</b>	4x58		1PC		Phillip head screw Not include		

# ASSEMBLY INSTRUCTIONS

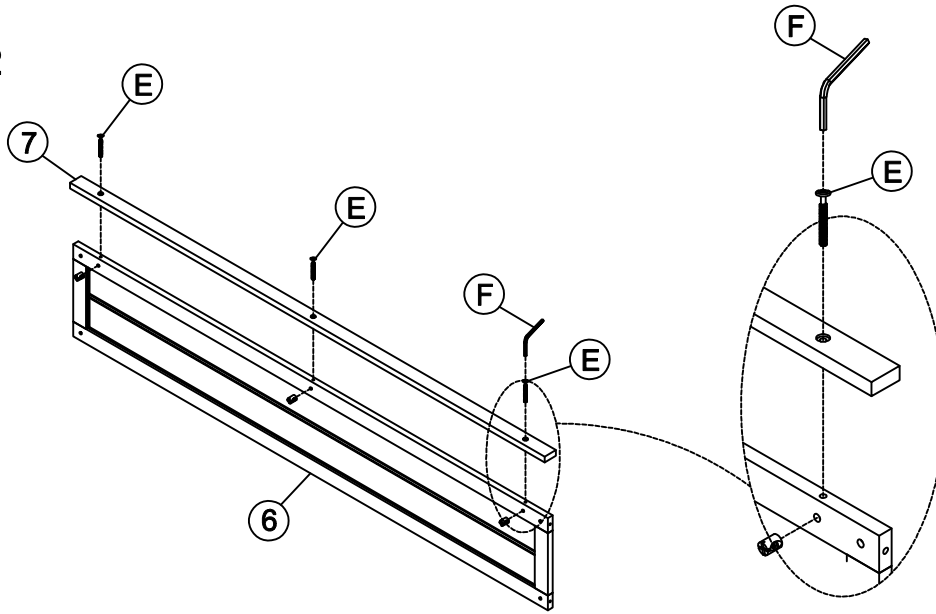
Step 1





<b>F</b>	4x58		1PC			
<b>D</b>	1/4x75		12PCS	<b>E</b>	1/4x50	 4PCS

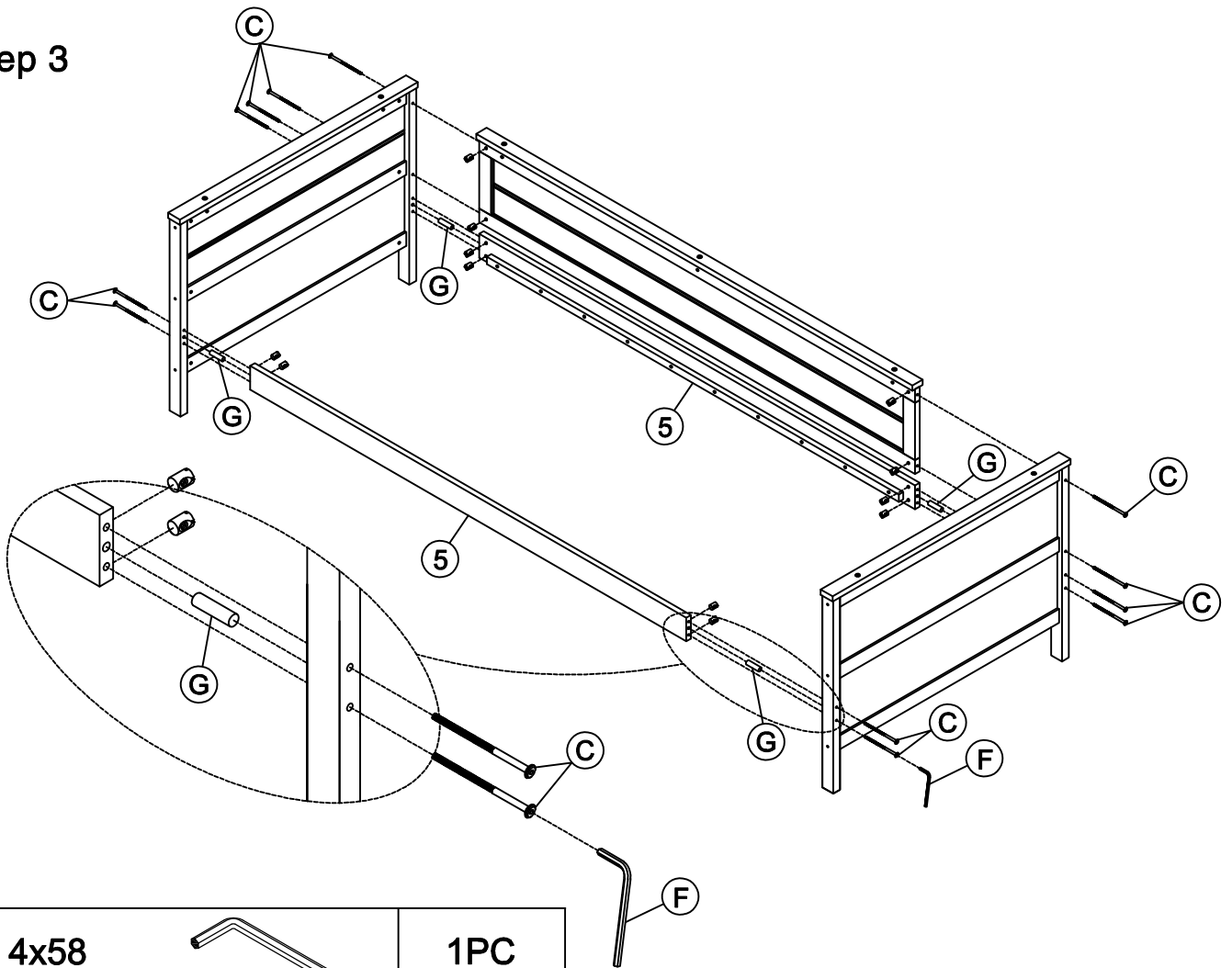
# ASSEMBLY INSTRUCTIONS

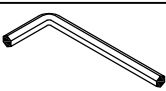


Step 2



<b>E</b>	1/4x50		3PCS	<b>F</b>	4x58		1PC
----------	--------	---	------	----------	------	---	-----

Step 3

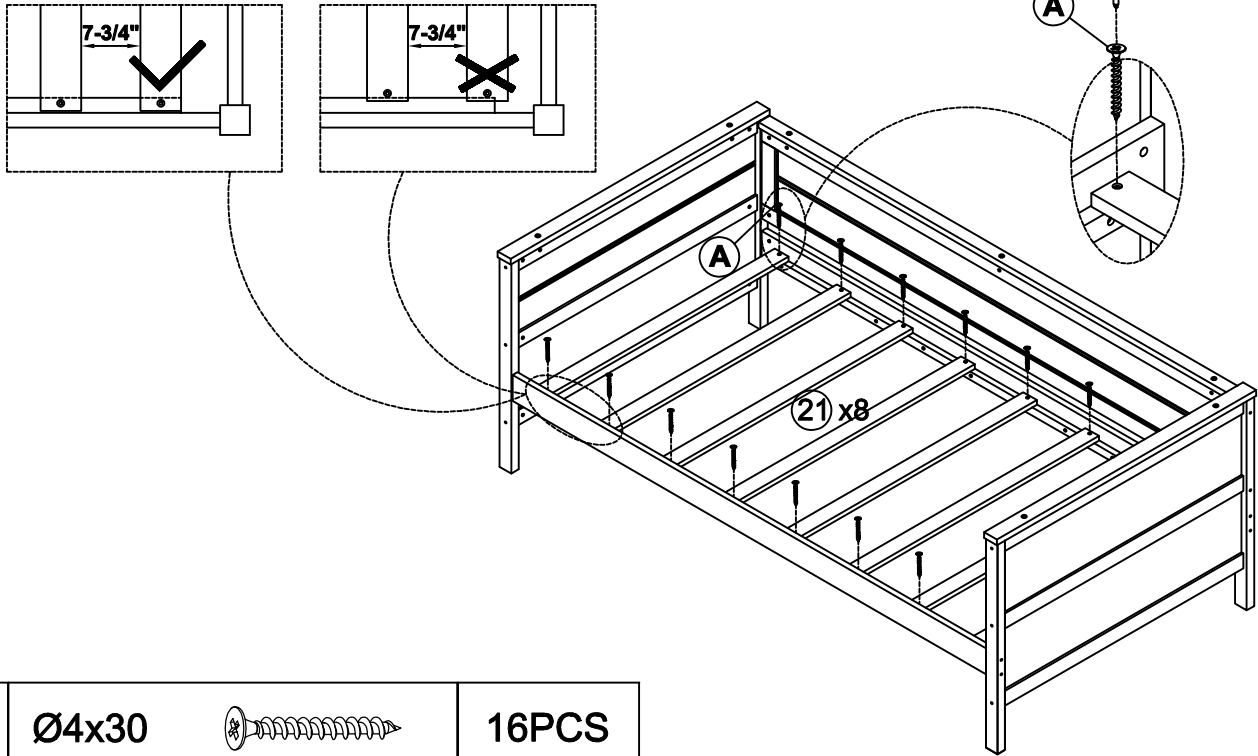


<b>F</b>	4x58		1PC	<b>C</b>	1/4x90		12PCS	<b>G</b>	Ø10x40		4PCS
----------	------	---	-----	----------	--------	---	-------	----------	--------	---	------

# ASSEMBLY INSTRUCTIONS

## Step 4

First attach 2pcs part 21 to the front and end of the frame between headboard. Then attach the remaining part 21 equidistantly between headboard

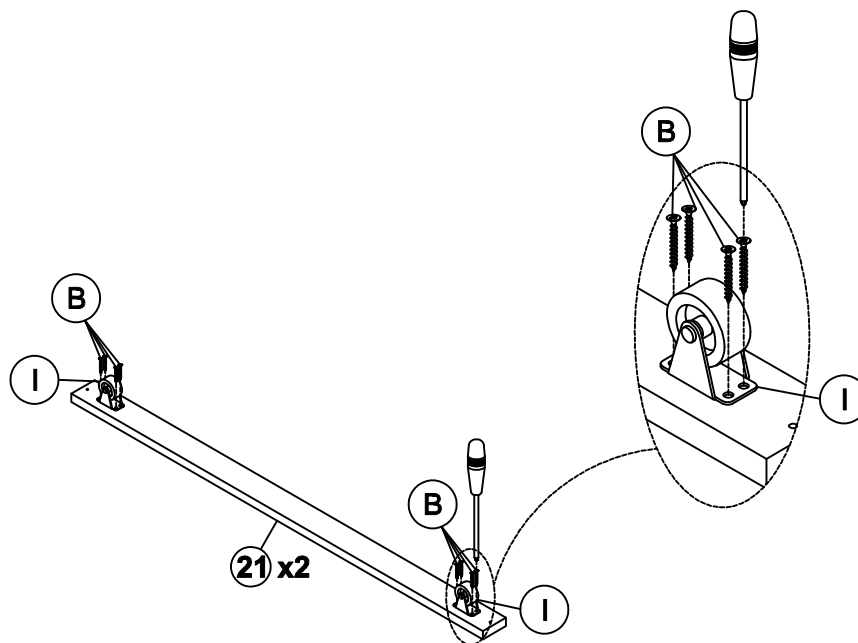


**A** Ø4x30



16PCS

## Step 5



**I** Ø38x46x38



4PCS

**B** Ø4x15

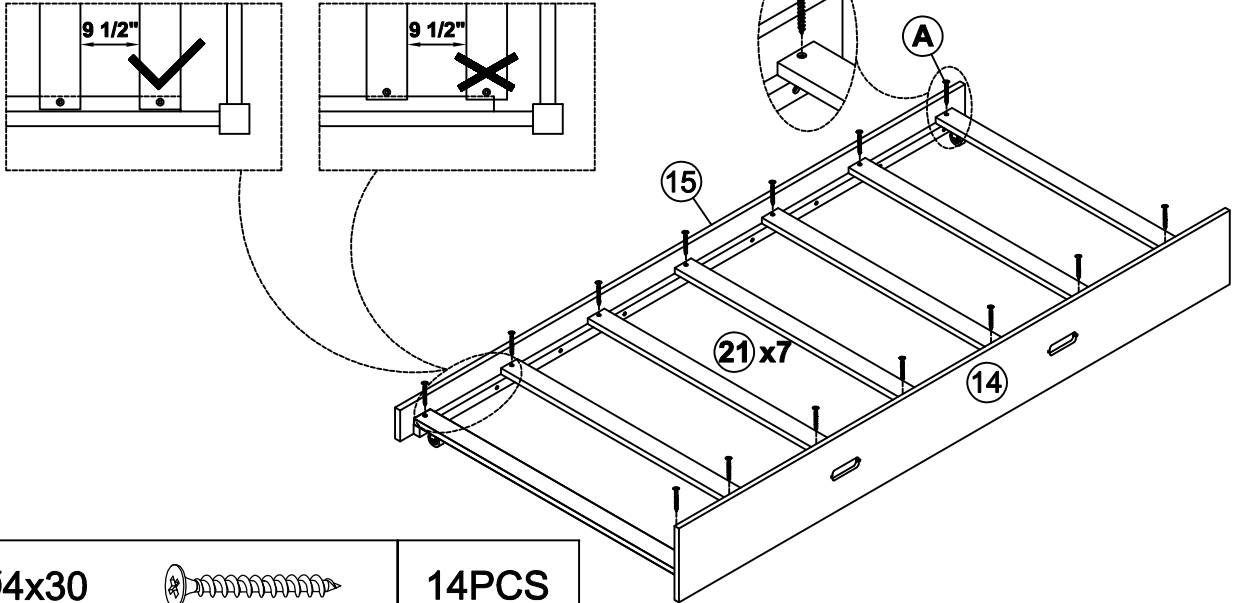


16PCS

# ASSEMBLY INSTRUCTIONS

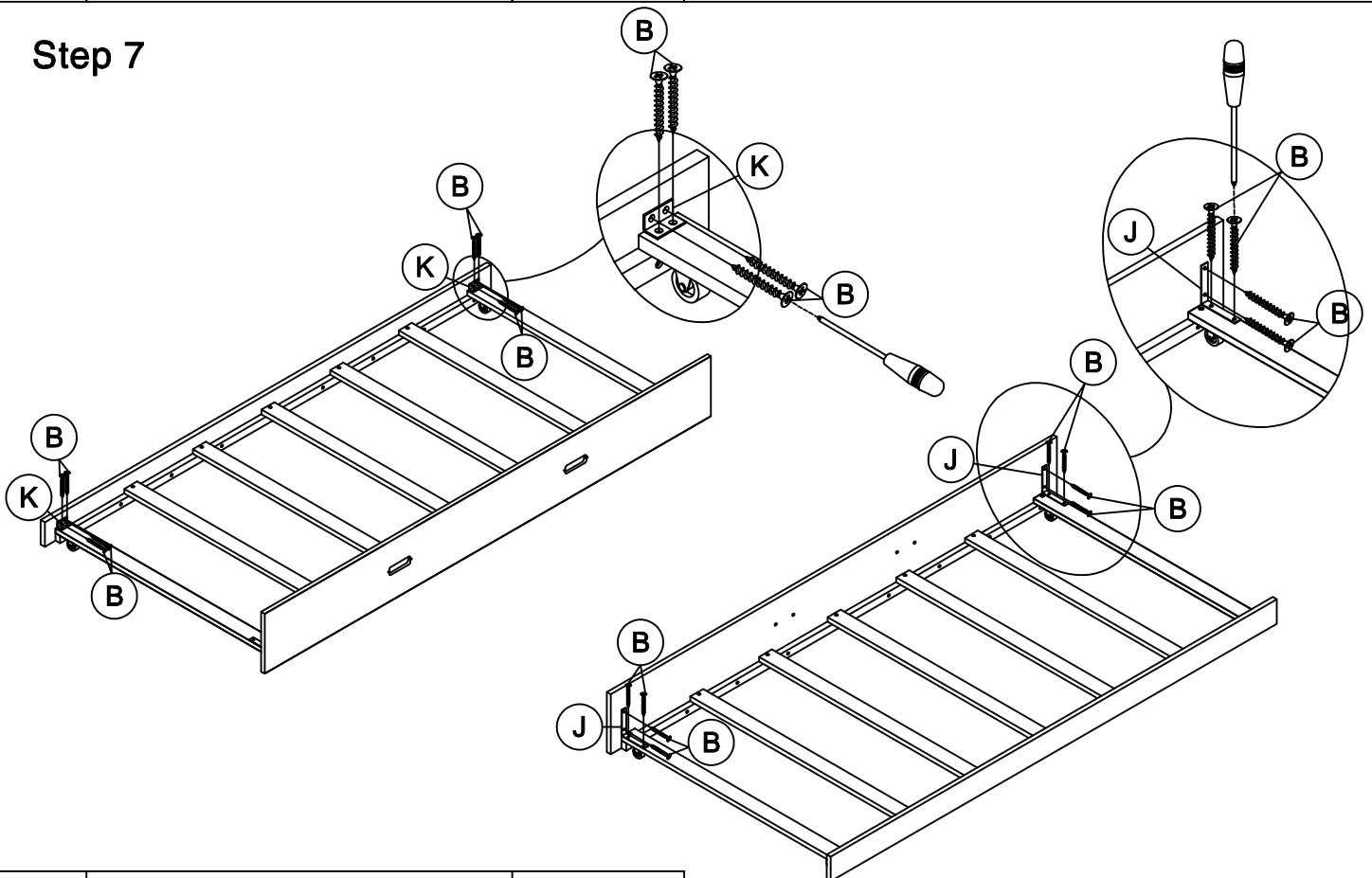
## Step 6


First attach 2pcs part 21 to the front and end of the frame between headboard. Then attach the remaining part 21 equidistantly between headboard



<b>A</b>	Ø4x30		14PCS
----------	-------	---	-------

## Step 7



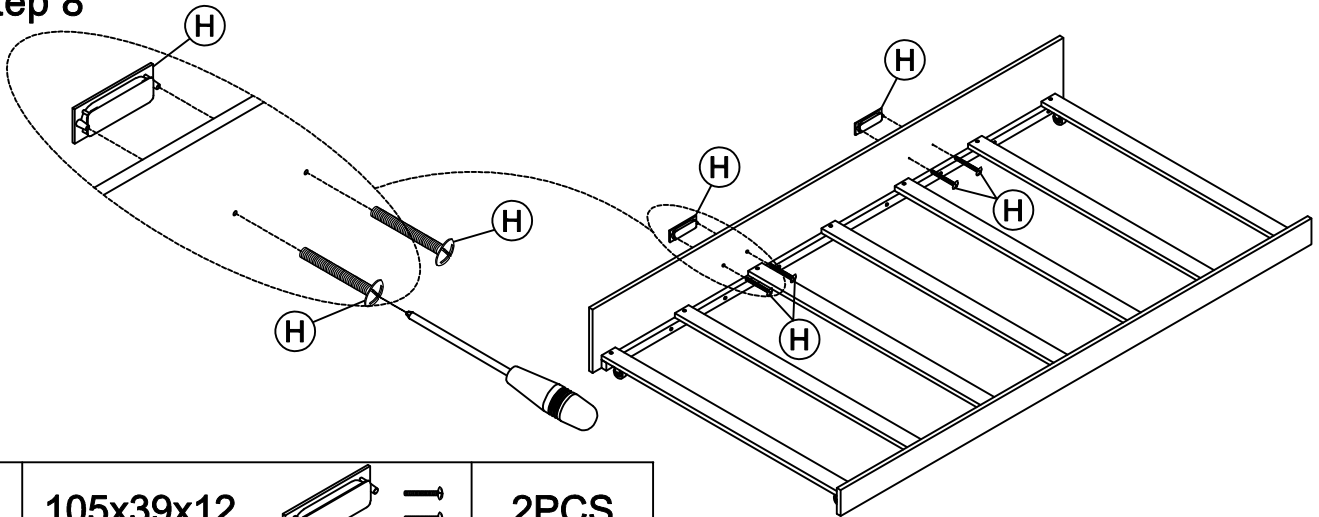
<b>J</b>	95x95x20		2PCS
----------	----------	---	------

<b>K</b>	40x20x20		2PCS
----------	----------	---	------

<b>B</b>	Ø4x15		16PCS
----------	-------	---	-------

# ASSEMBLY INSTRUCTIONS

## Step 8



<b>H</b>	105x39x12			2PCS
----------	-----------	---	---	------

## Step 9

