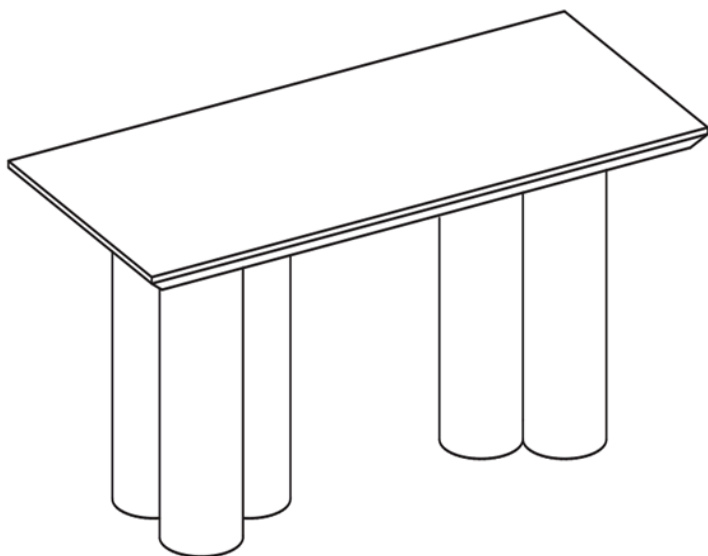


# Console Table

## Assembly Guide



**IMPORTANT:** please read these instructions fully before starting assembly



**SAFETY AND  
CARE ADVICE**



**NO POWER TOOLS**

- Check you have all the components and tools listed
- Remove all fittings from their bags and separate into groups
- We do not recommend use of power tools - this could damage the unit. Only use hand screwdrivers and Allen keys
- Keep children and animals away from the work area, small parts could cause choking if swallowed
- Make sure you have enough space to lay out the parts before starting
- Assemble the item as close to its final position (same room) as possible
- Do not over tighten the nuts to avoid damage to the threads
- Only clean using a damp cloth and mild detergent. Do not use bleach or abrasive cleaners
- Do not allow children to climb or play on this product
- From time to time, check there are no loose screws in this unit
- This product should not be discarded with household waste. Take to your local authority waste disposal centre
- Unless otherwise stated, this product is designed for domestic use and is not certified for commercial or contract settings.

## IMPORTANT INFORMATION



30 Minute  
Build





Two Person  
Build



Max Weight  
Capacity  
30kg









**Note:** Assembly estimates are approximate and can differ based on the specific environment and user experience.

## WHAT'S IN THE BOX

Label	Part Name	Drawing	Quantity
1	Table Top		1
2	Leg		6

## WHAT'S IN THE BOX

**Note:** the quantities are the correct amount to complete the assembly. In some cases more fixings may be supplied than are required.

Label	Hardware Description	Drawing	Size (mm)	Quantity
A	Rods		M8x760	12
B	Washer		M8x22	12
C	Nuts		M8x16	12
D	Box Spanner		M8x50	1
E	Connecting Piece		57x16	6
F	Screw		M3x16	12
G	Foot		M6x20	6
H	Screwdriver			Not provided

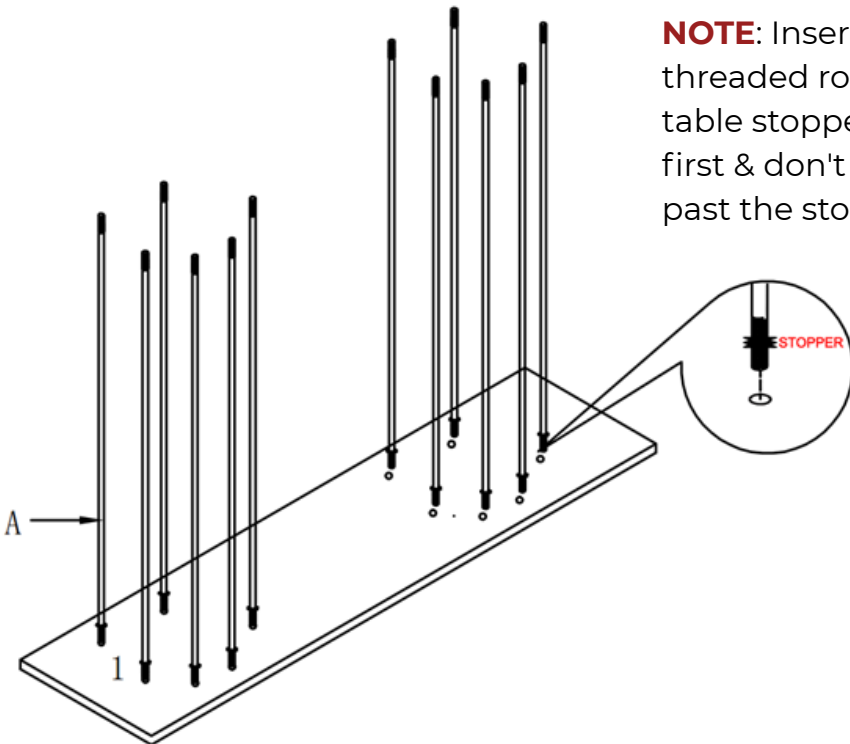
Note:

- Use a clear, flat surface to avoid bumps or scratches before assembling.
- Insert all fixings loosely at first to allow for alignment; only tighten them once everything is properly positioned, as some adjustment may be required.
- Avoid over-tightening, as this may damage the parts.
- Seek assistance when moving large or heavy parts

## STEP 1

Place the table top upside down on the floor.

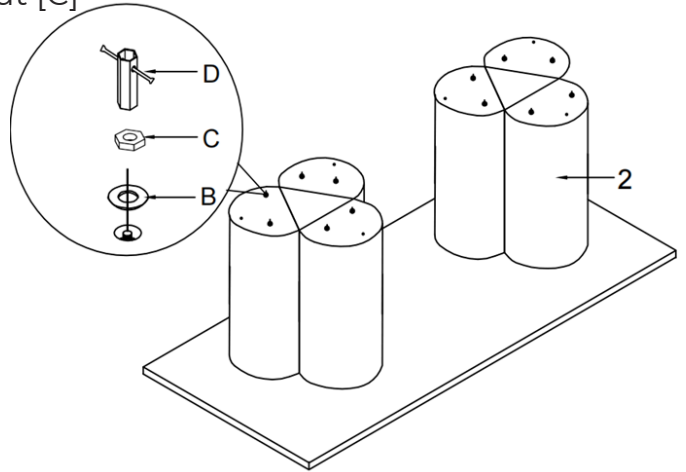
Screw 12x rods [A] in to the table top.



**NOTE:** Insert the threaded rods into the table stopper-end first & don't screw past the stopper

## STEP 2

Carefully slide 6x legs [2] onto the rods and secure using 12x washer [B], 12x nut [C] and tighten using box spanner [D]

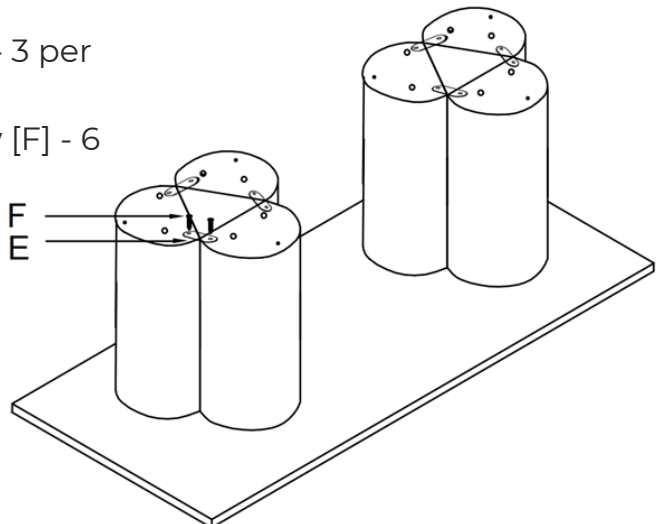


## STEP 3

Connect the 6x legs [2] together using the 6x connecting pieces [E] - 3 per leg set

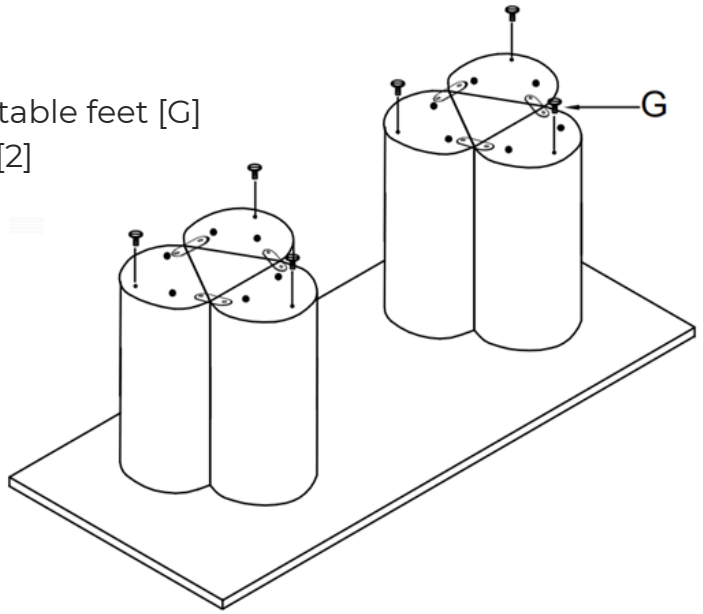
Secure using 12x screw [F] - 6 per leg set

Tighten using a screwdriver.



## STEP 4

Screw the 6x adjustable feet [G] into the table legs [2]

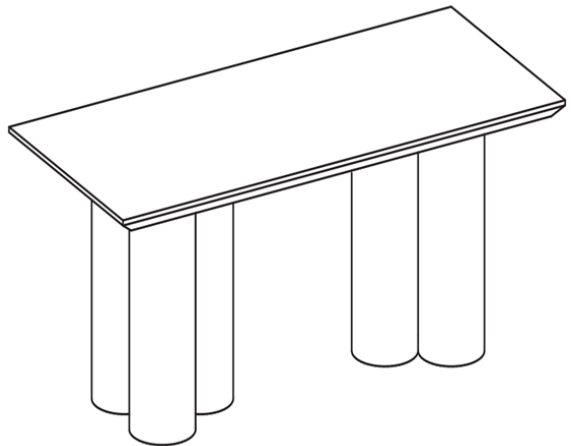


## STEP 5

Carefully, and with help, turn your table over so it's now the correct way up.

Check stability.

Your table is now ready to use!



**Please ensure any and all fixings and fittings are FULLY tightened before using this product**



# our 2 year GUARANTEE

Our products come with a 2 year guarantee, giving you extra peace of mind when shopping with us!

## *What the guarantee covers*



**PRE-INSERTED FIXINGS**  
e.g. loose metal threads



**FAULTY JOINTS**  
e.g. legs bending



**EXTERNAL FIXING FAULTS**  
e.g. metal discs removing  
from table top



**STRUCTURAL INTEGRITY**  
e.g. the frame of the  
product

---