

ASSEMBLY INSTRUCTIONS

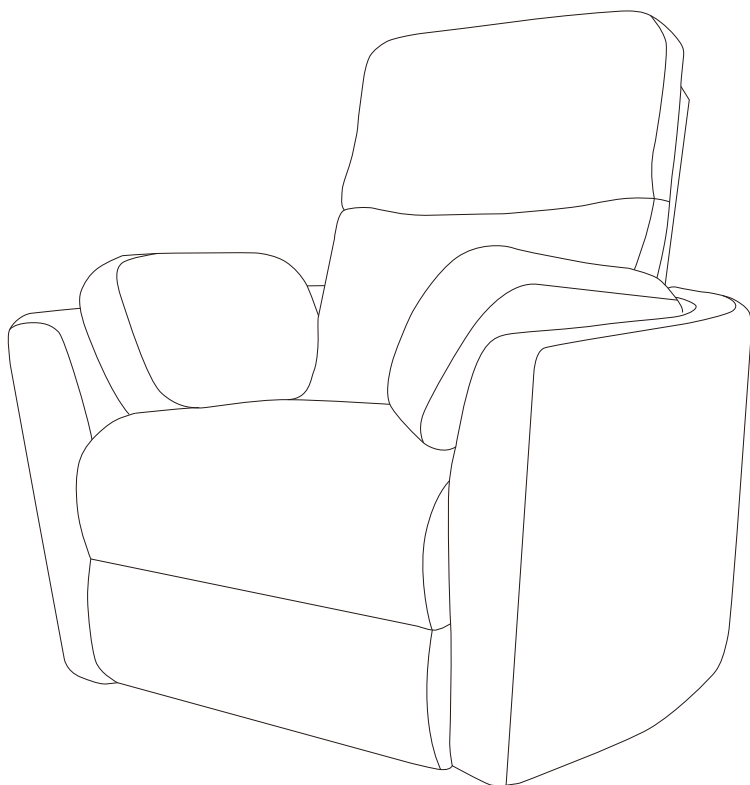
MODEL #

MODEL #FM-AC8018

Questions?

GIVE US A CALL: 1-888-980-5122
MON-FRI 8:30AM - 5:30PM (PT)

TOOLS REQUIRED



2 - People

ASSEMBLY RATING



EASY → DIFFICULT

The Assembly Rating is a 5-point system showing the level of effort needed to assemble a specific product.

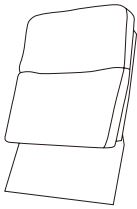
FM-AC8018



- Please keep instructions for future reference.
- Check the quantity and irregularity of parts and hardware before you start.

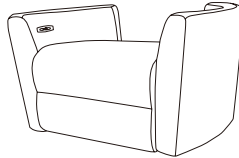
PARTS

①



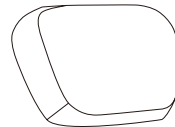
Back Fame
1 pc.

②



Seat Frame
1 pc.

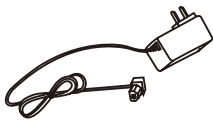
③



Pillow
2 pcs.

HARDWARE

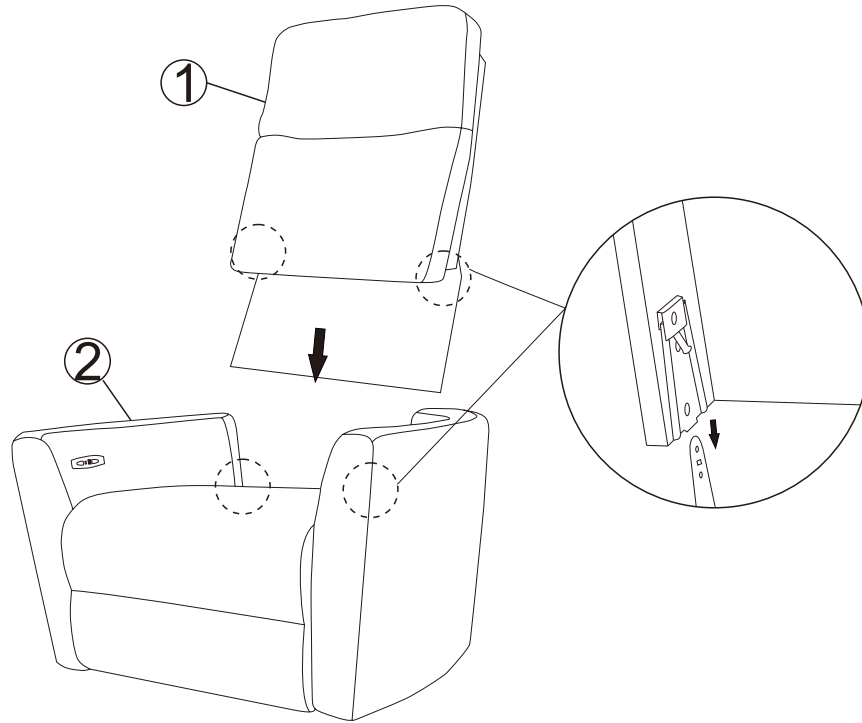
Ⓐ



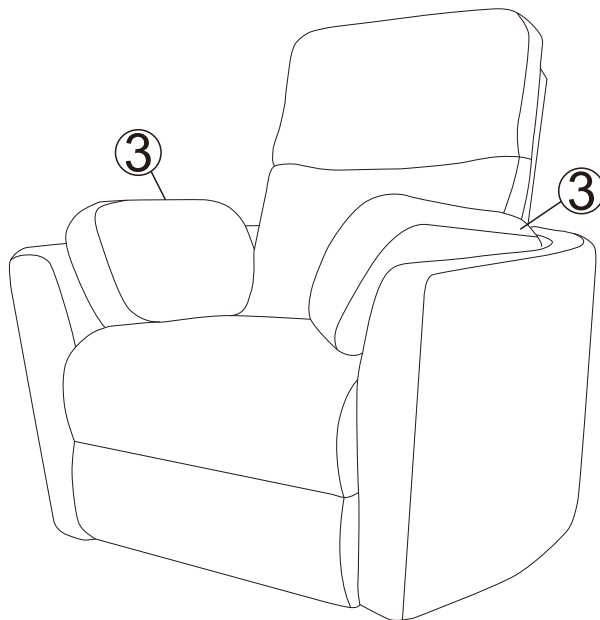
Power source
1 pc.

ASSEMBLY INSTRUCTIONS

1

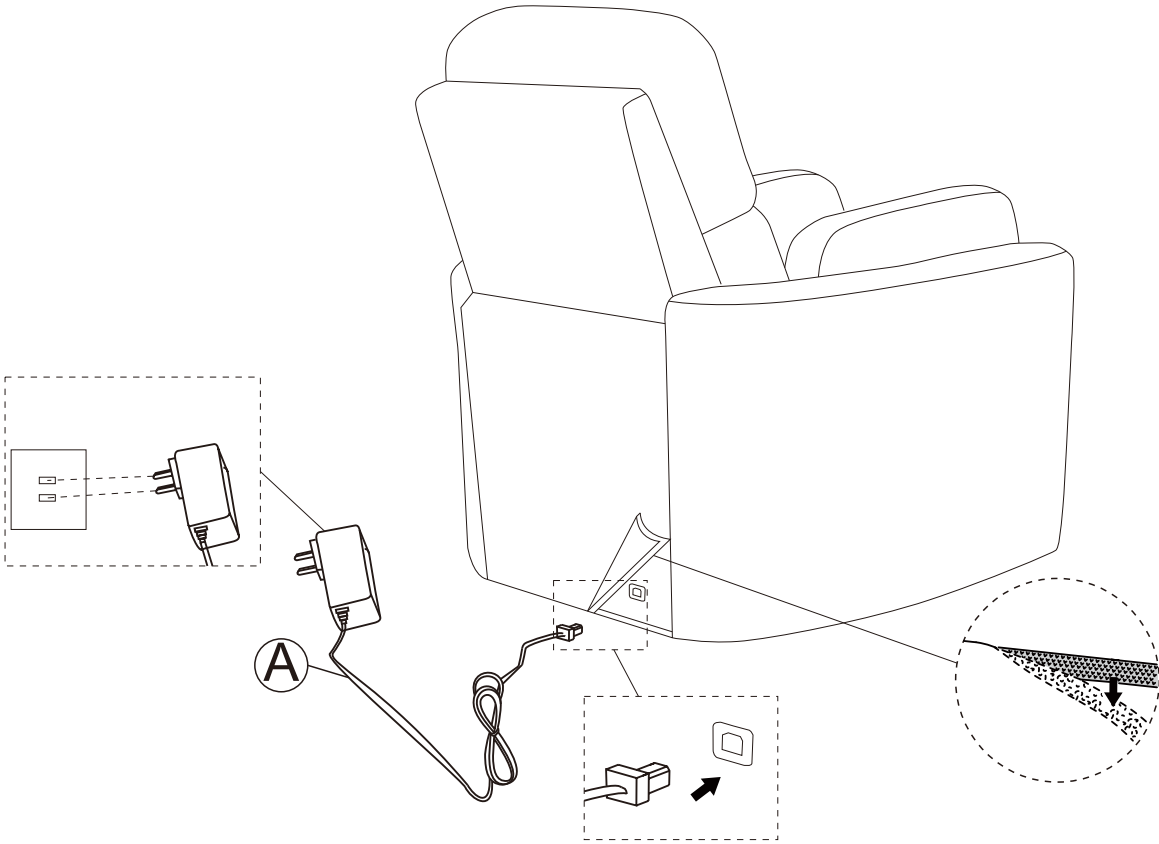


2

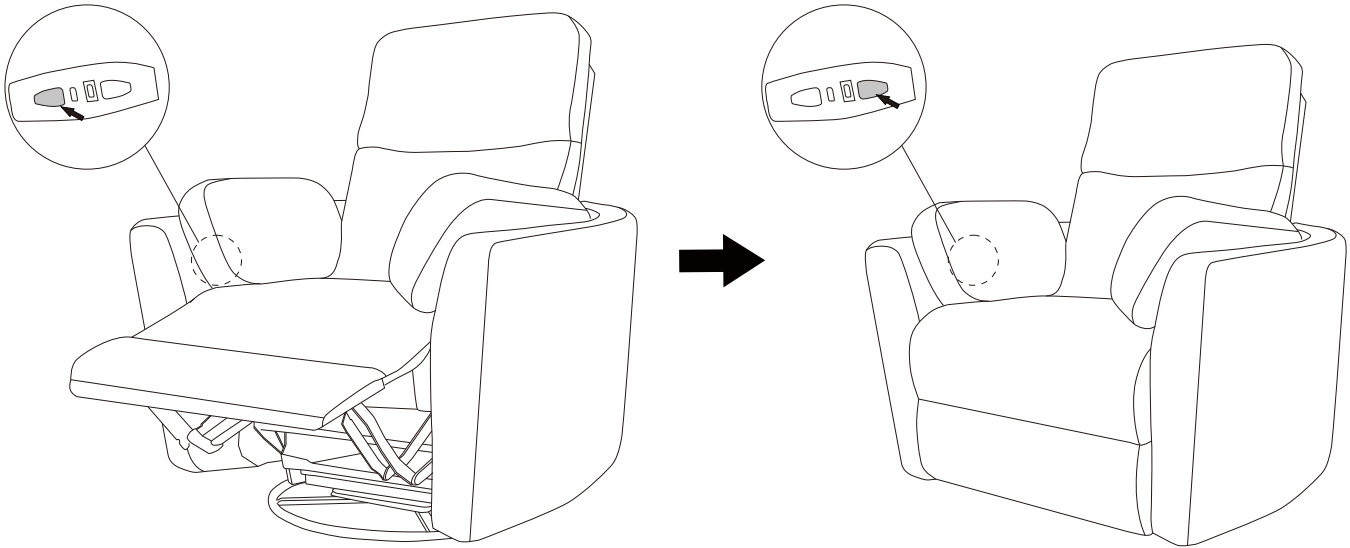


ASSEMBLY INSTRUCTIONS

3

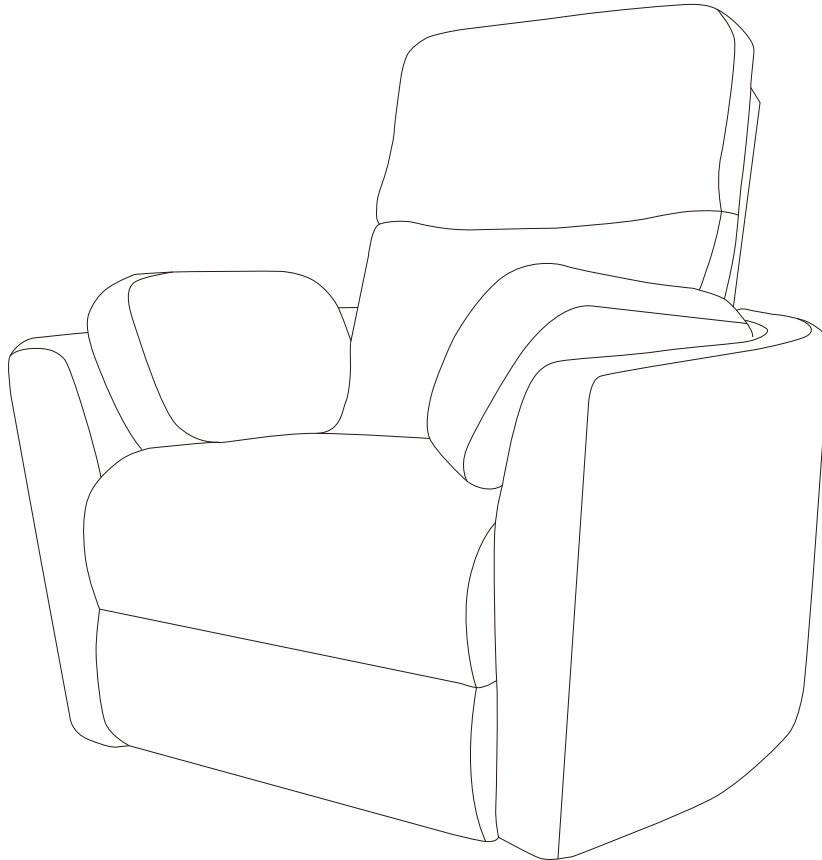


4



ASSEMBLY INSTRUCTIONS

5



ASSEMBLY COMPLETED



Please ensure the furniture rests on an even and flat surface. If the product wobbles or feels loose, double-check all bolts and/or screws are properly tightened and secured.



Keep this handy!

Please retain this instruction manual and any order-related information for future reference.



Lift, don't drag!

To avoid damage to product please always LIFT the product when transporting or adjusting the placement.

This product is intended for RESIDENTIAL USE ONLY and not for commercial use.