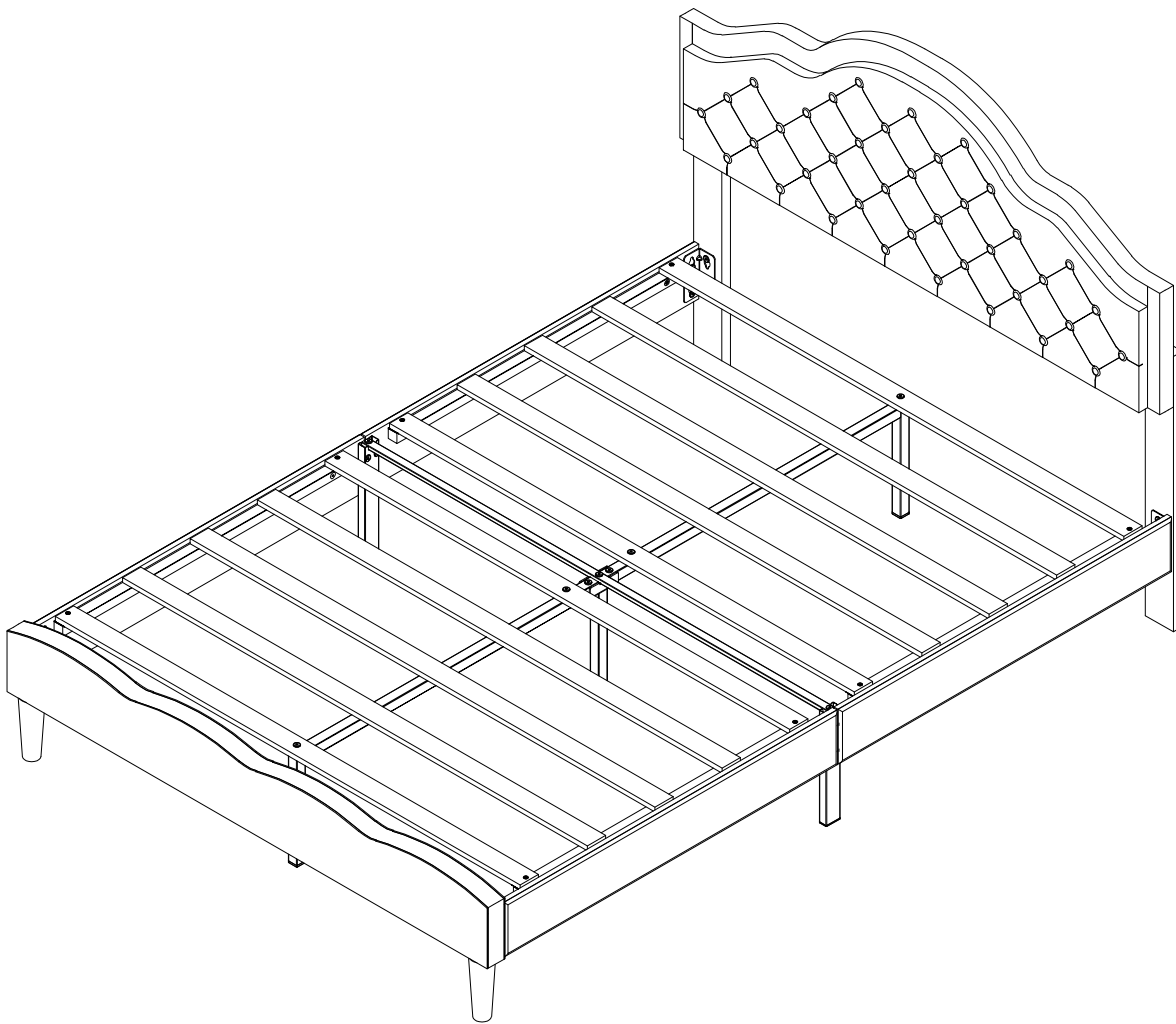
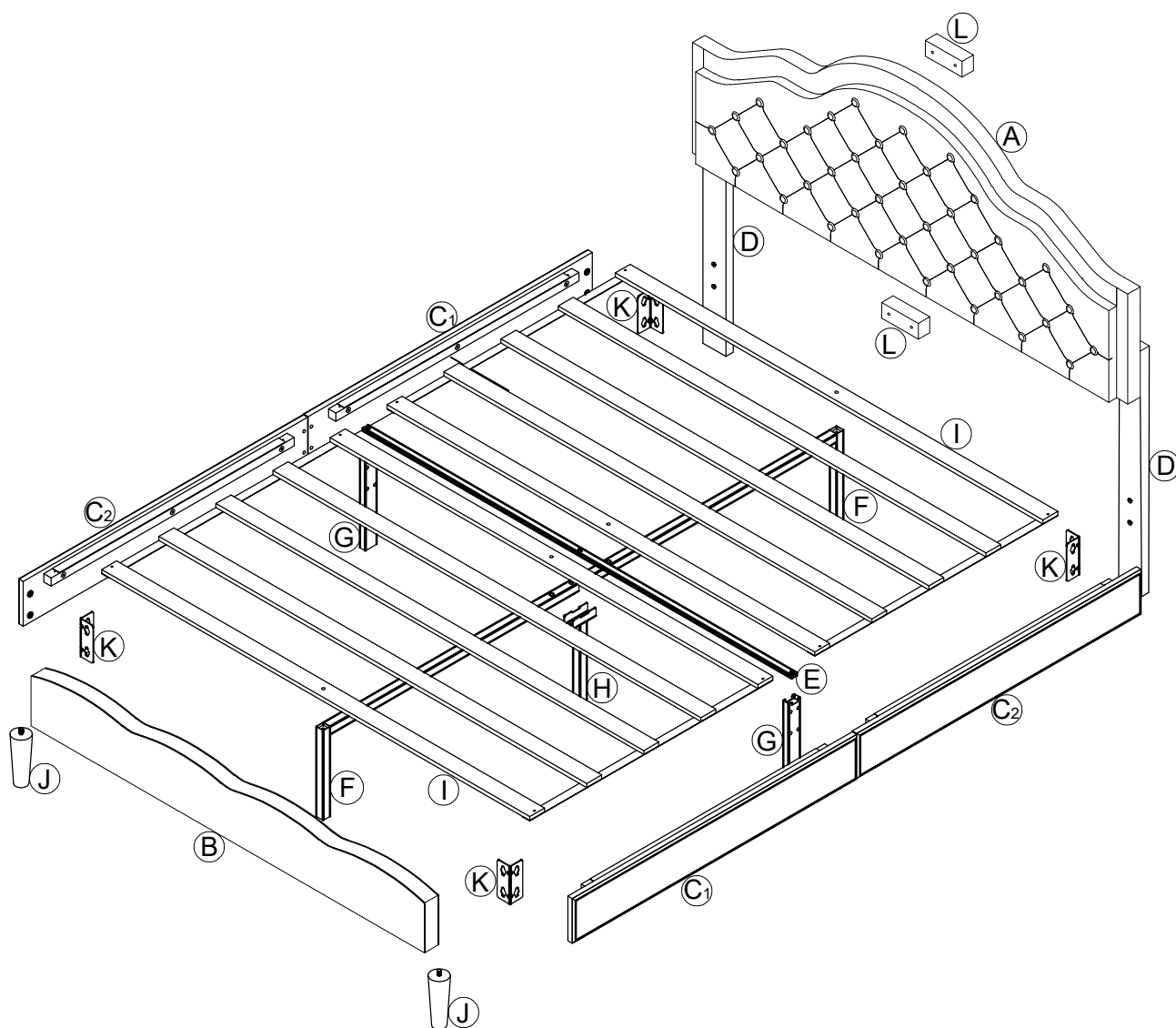


Upholstered bed N652P196278



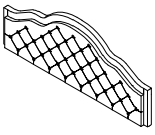
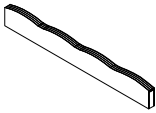
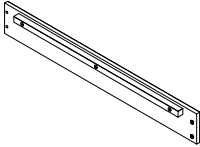
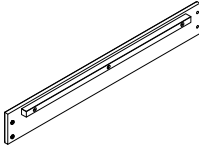

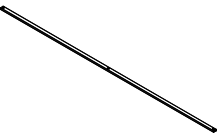
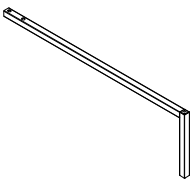

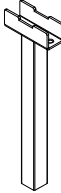
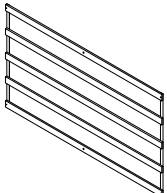

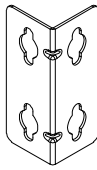
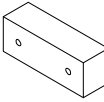
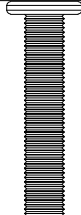
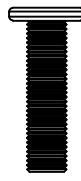


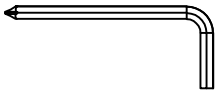

TIPS

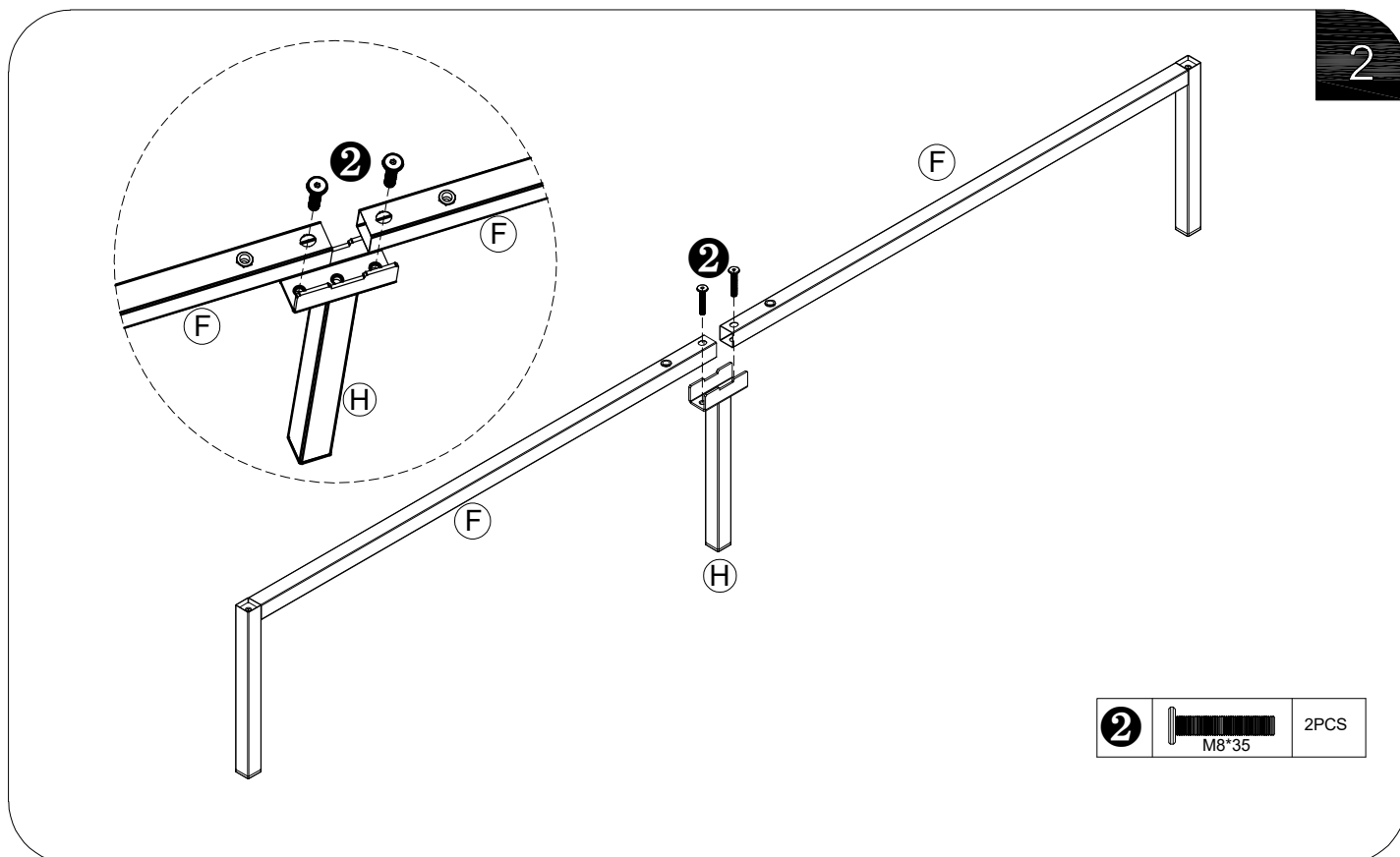
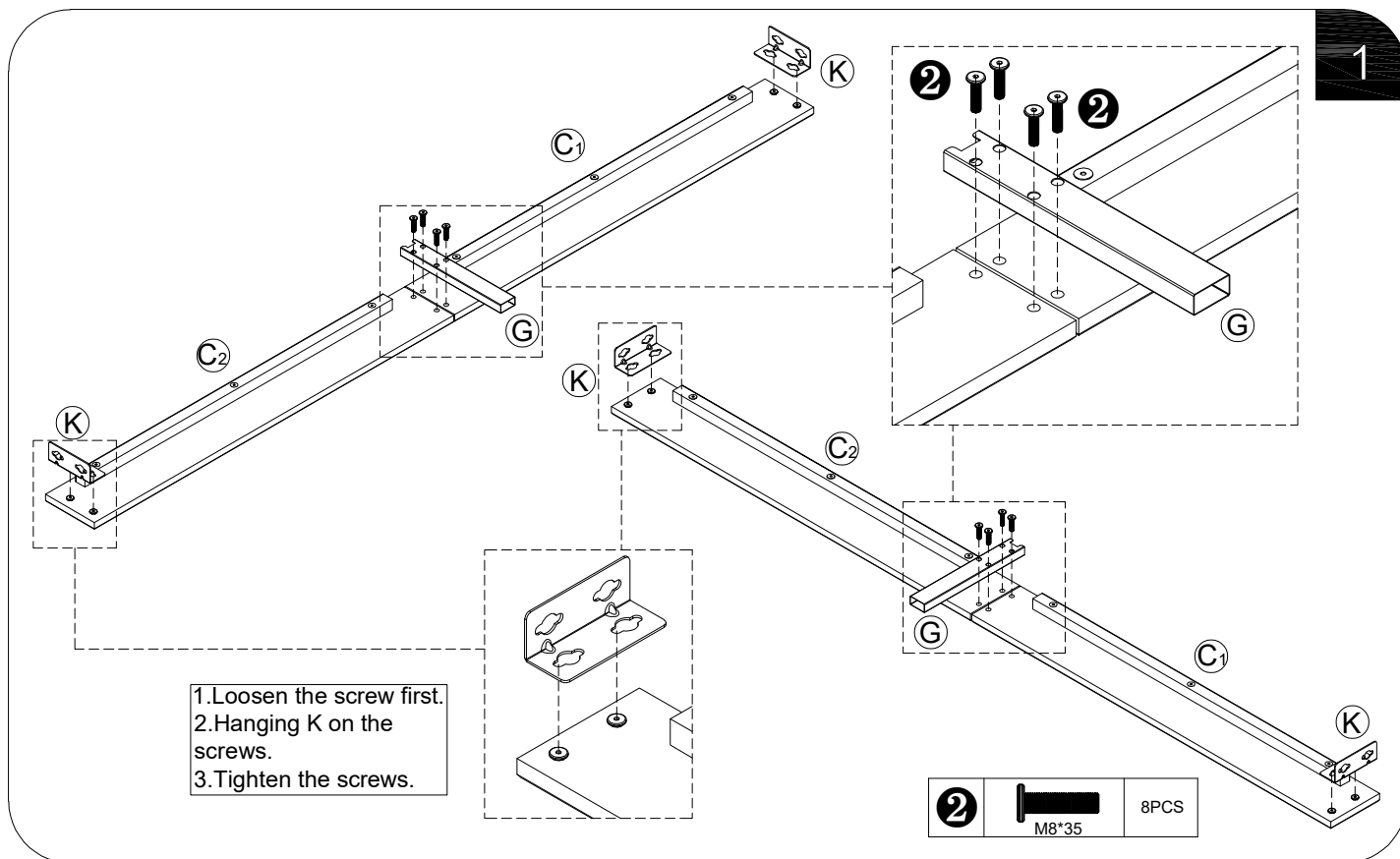
1. Please read the instructions fully before assembly. These instructions include important information which could ensure correct assembly. We have been working on providing high quality products for you. However, in the rare instance that your product is defective, missing parts or there are some issues, please don't hesitate to contact our customer service to submit parts requirements, assembly suggestion, or warranty claims, and we will give the best solution as soon as possible. If necessary, we need you to provide some more clear pictures of the issue.
2. Insert the screws in holes and tighten the screws, but not too tight, 70%~80% is ok, finally tighten all the screws. If some issues happened that some screws can not target to the hole or some parts are difficult to install, please adjust the tightness of the screws.



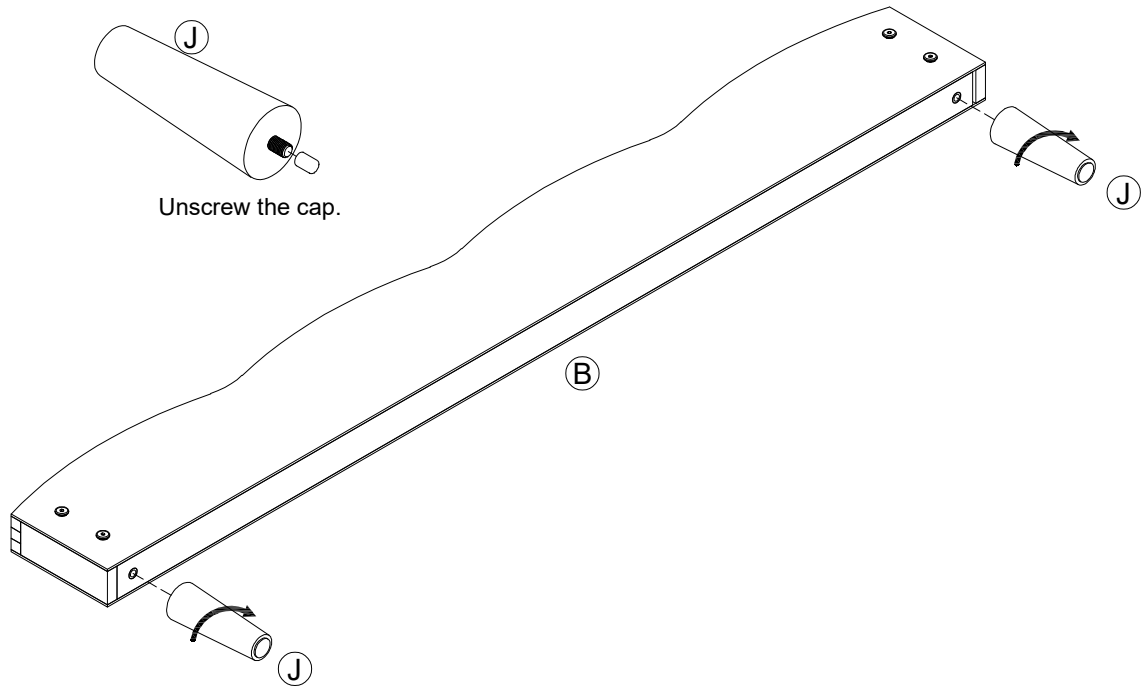
1. This product is not suitable for mattress recessed type.
2. This product is suitable for placing mattresses on the top.

Part List

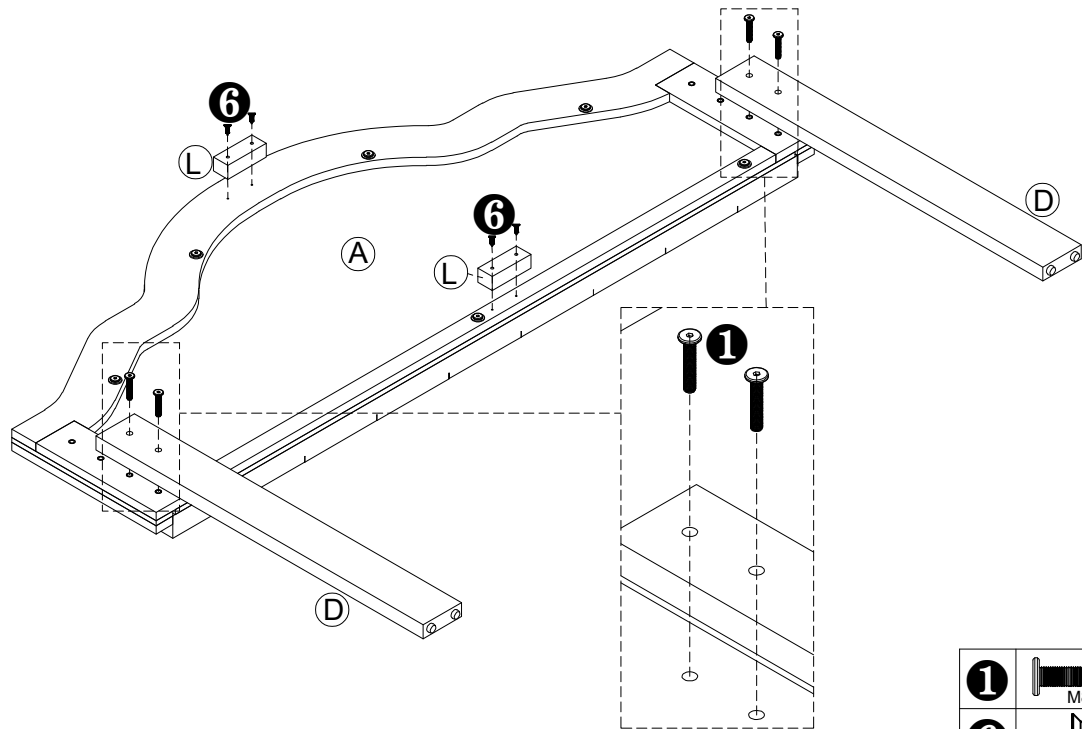
<p>(A)</p>  <p>Headboard 1PC</p>	<p>(B)</p>  <p>Footboard 1PC</p>	<p>(C₁)</p>  <p>Side rails 2PCS</p>	<p>(C₂)</p>  <p>Side rails 2PCS</p>	<p>(D)</p>  <p>Headboard leg 2PCS</p>
<p>(E)</p>  <p>Cross bar 1PC</p>	<p>(F)</p>  <p>Center support bar 2PCS</p>	<p>(G)</p>  <p>Side rail support leg 2PCS</p>	<p>(H)</p>  <p>Connected support leg 1PC</p>	<p>(I)</p>  <p>Slats 2PCS</p>
<p>(J)</p>  <p>Leg 2PCS</p>	<p>(K)</p>  <p>Bracket 4PCS</p>	<p>(L)</p>  <p>Headboard spacer block 2PCS</p>	<p>1</p>  <p>Bolts M8*40 5PCS</p>	<p>2</p>  <p>Bolts M8*35 14PCS</p>
<p>3</p>  <p>Nails M5*35 8PCS</p>	<p>4</p>  <p>Bolts M8*18 2PCS</p>	<p>5</p>  <p>Allen Key 4*80 1PC</p>	<p>6</p>  <p>Nails M5*40 4PCS</p>	





3



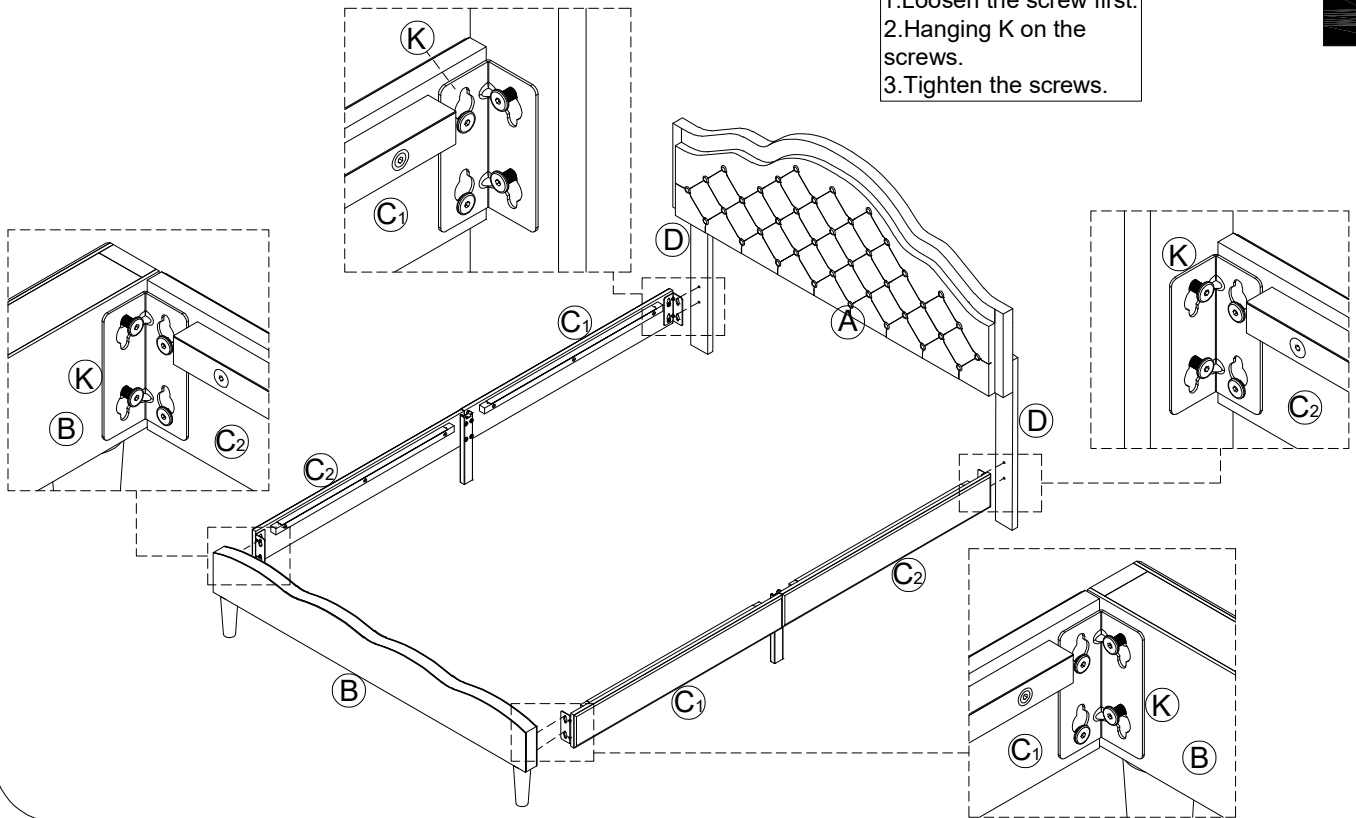
4



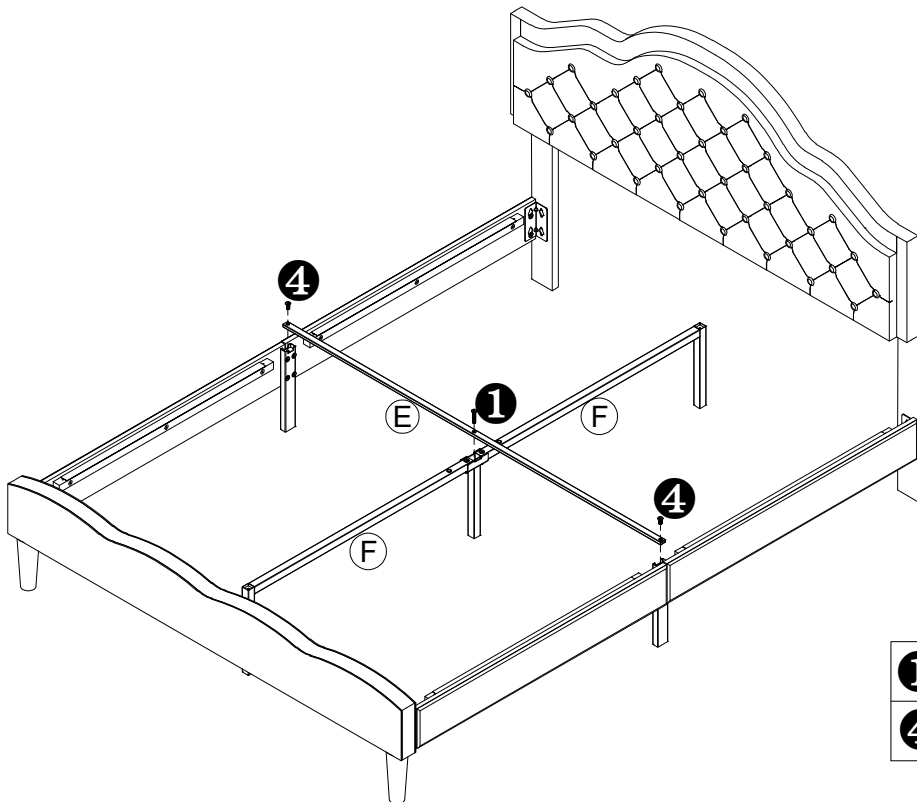
1	 M8*40	4PCS
6	 M5*40	4PCS

5

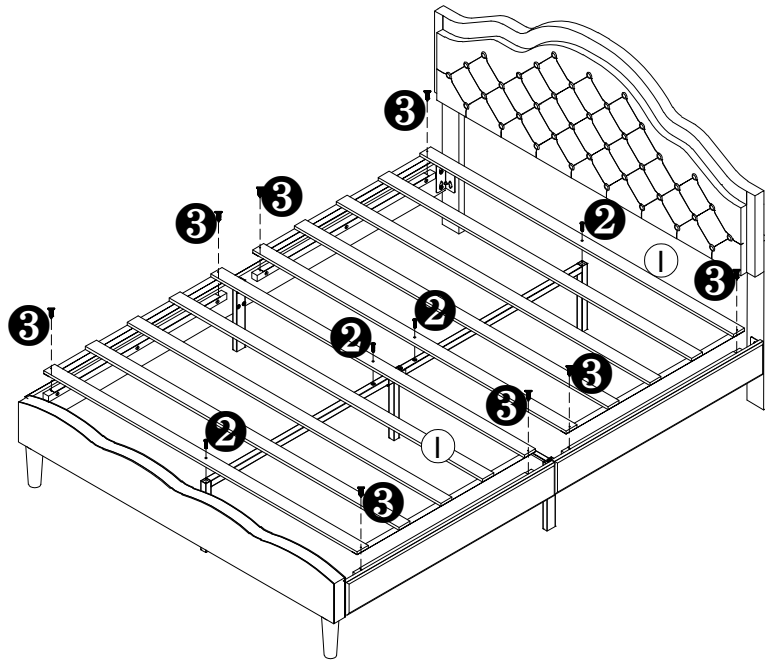
1. Loosen the screw first.
2. Hanging K on the screws.
3. Tighten the screws.

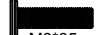



6



1		1PC
4		2PCS



2		4PCS
3		8PCS

Finish

