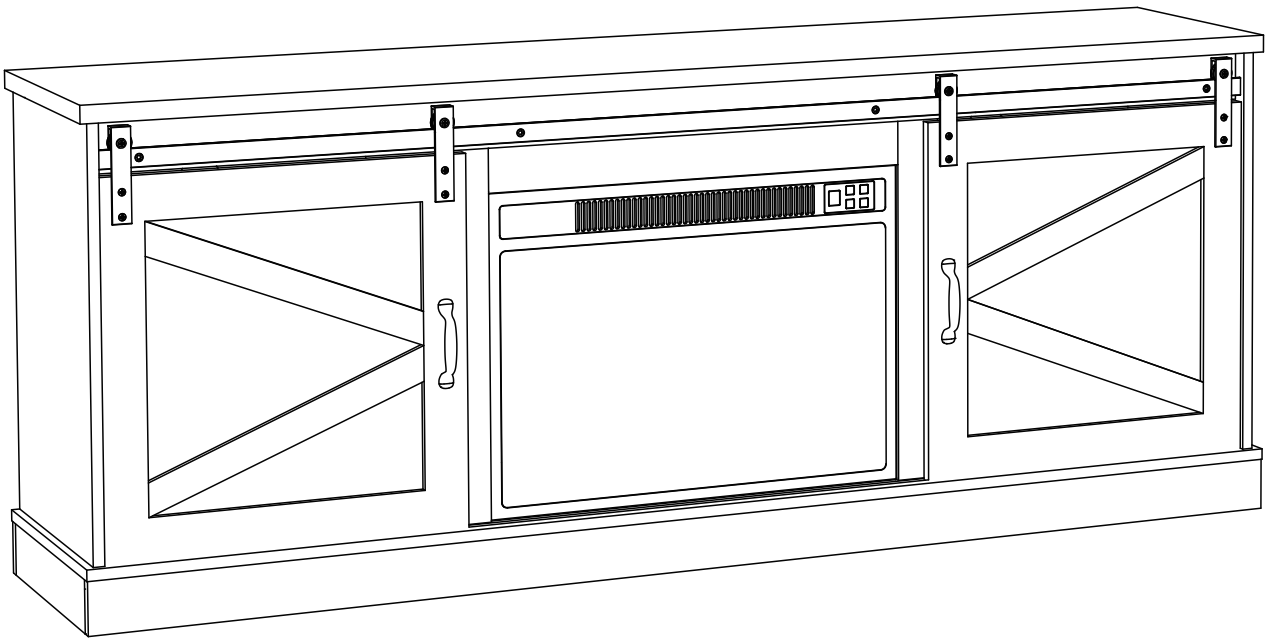


Electric Fireplace TV Stand

If you have any questions about the Electric Fireplace TV Stand, please feel free to contact us.

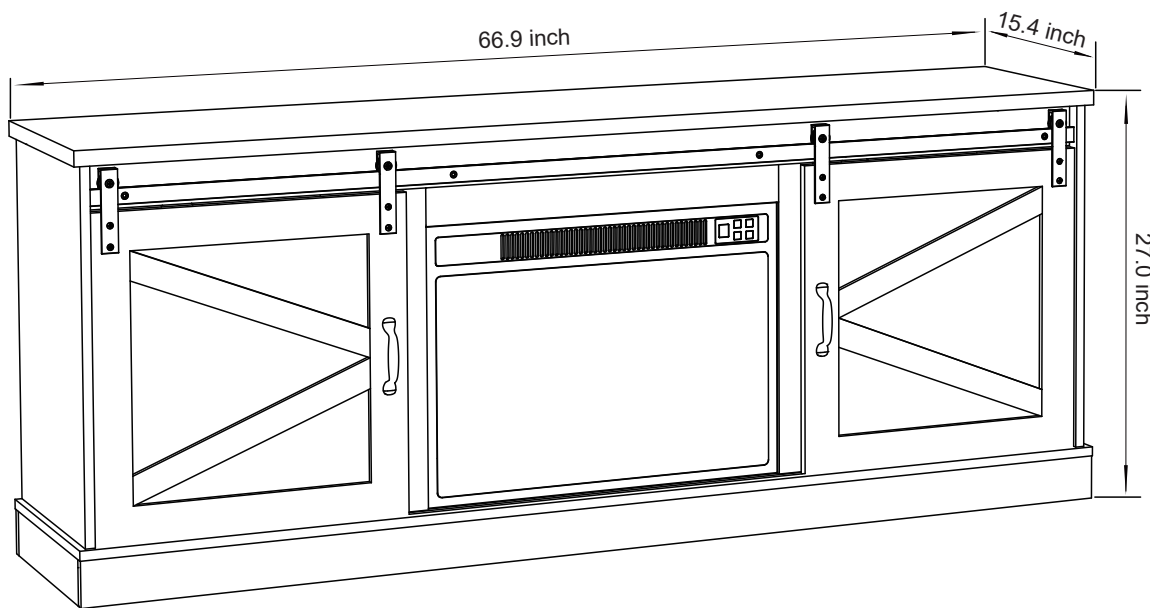
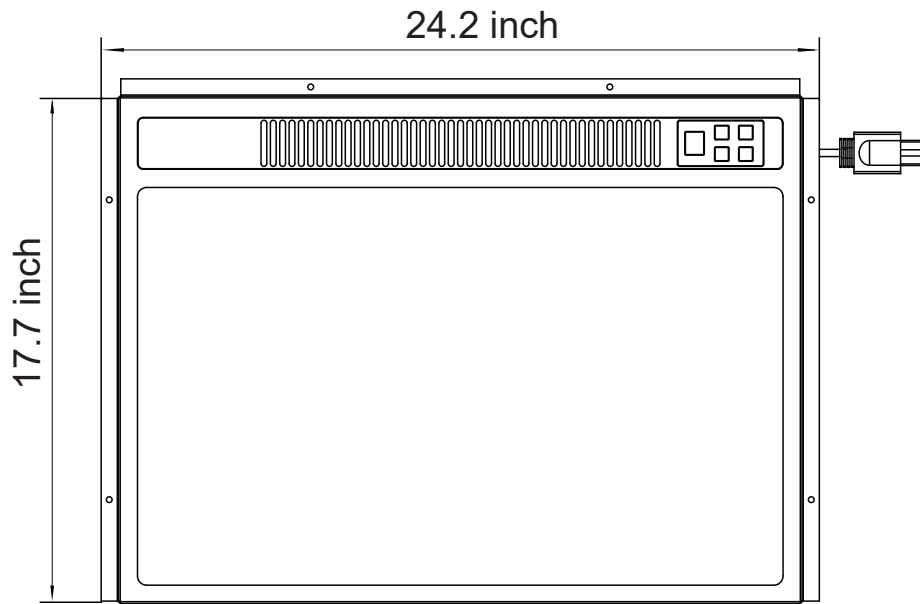


IMPORTANT

PLEASE READ BEFORE YOU COMMENCE ASSEMBLY

Follow the guidelines in this user guide to ensure correct assembly and care for this product.

SPECIFICATIONS



CONSUMER SAFETY INFORMATION

- Read this manual before installing and operating this appliance.
- Failure to follow these instructions may result in electric shock, fire property, or personal injury.
- Do not store or use gasoline or other flammable liquids in vicinity of this appliance.

Catalog

Specifications.....	01
Catalog.....	02
Warning	03
Preparation	05
Control Panel And Pemote	06
Note	07
Part List And Extra	09
Installation And Assembly	10
Troubleshooting	11
If You Already Have A TV Stand Installed	12
How To Assemble Electronic Fireplace	13

Catalogue(FR)

Spécifications.....	18
Catalogue.....	02
Avertissement(FR)	19
Préparation(FR)	21
Panneau de contrôle et télécommande(FR)	22
Note(FR)	23
Liste des pièces et suppléments(FR)	25
Installation et assemblage(FR)	26
Dépannage(FR)	27
Si vous avez déjà installé un meuble TV (FR).....	28
Comment assembler un foyer électronique(FR)	29



Warning



- **ALWAYS** keep **electric cords, home furnishings, drapes, clothing, papers, or other combustibles** at least **3 feet (0.9m)** away from the front of this heater, and away from the bottom, sides, and rear of this heater.
- **DO NOT** place the heater near a bed because objects such as pillows or blankets can fall off the bed and be ignited by the heater.
- **DO NOT COVER** this heater or **block** the air vents at all. Doing so could cause a **fire**.
- **AVOID fire or electric shock! NEVER** insert or allow any foreign objects to enter the ventilation or exhaust openings of this heater.
- **Prevent Fire!** Keep all **flammable liquids**, like gasoline or paint, away from this heater. This heater produces **arcing sparks** that **could ignite** flammable liquids.
- **DO NOT cover** this heater in any manner. Doing so could block the air flow and cause the unit to **overheat**, or could **ignite** the material covering the heater.
- **NEVER** run the **power cord** under carpet, rugs, runners, or any other covering. Doing so could cause the cord or materials covering the cord to overheat.
- **AVOID FIRE!** Regularly inspect all air vents to make sure they are free from dust, lint, or other blockage. **Unplug the unit** and clean with a **vacuum ONLY. DO NOT** rinse or get wet.



Warning



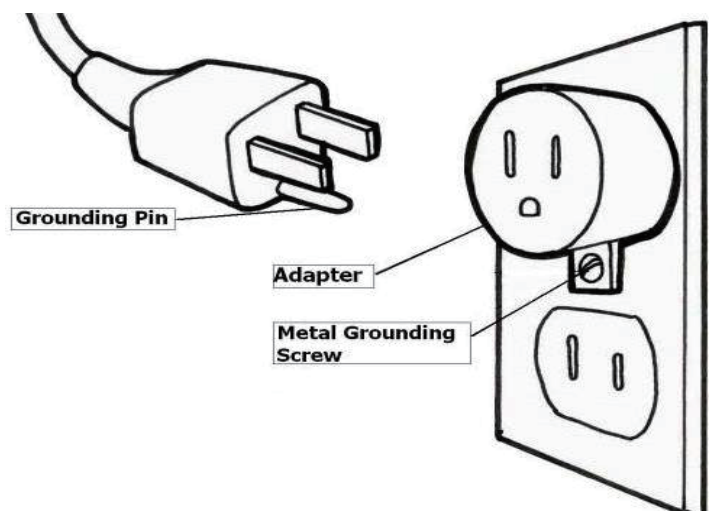
- **For residential use only! NOT for commercial use! NEVER** use this fireplace for other than its intended purpose.
- **Only** use this insert with **the mantel that came with the insert. NEVER** use a mantel from **another manufacturer**.
- **NEVER use** this electric fireplace insert **unless** it is **properly installed** in the correct mantel.
- Use **extreme caution** if using this heater **near children**, or where children may be present.
- **NEVER** leave this heater unattended. **ALWAYS** unplug this heater when not in use.
- This heater is **hot** when **in use. AVOID INJURY! DO NOT TOUCH hot surfaces, or attempt to move this heater while it is hot.**
- **ALWAYS** turn this heater off before unplugging it from the outlet.
- **AVOID INJURY!** Keep the cord from crossing traffic areas to avoid tripping.
- **NEVER modify this fireplace.** Doing so could result in personal injury or property damage. Modification of this fireplace **completely voids all warranties**.
- **Discontinue use** if this fireplace **malfunctions** or is **dropped or damaged in any manner**.



Warning



- **Risk of electric shock! DO NOT OPEN!** No user-serviceable parts inside!
- **ALWAYS disconnect** this unit from the **power supply before** performing any assembly or cleaning, or before relocating the electric fireplace.
- **ALWAYS** store this heater in a dry location. **NEVER** use the fireplace if it has become wet.
- **NEVER** use this heater in **bathrooms, laundry rooms**, or any other location where the heater could fall into a **bathtub** or **pool, become damp** or **come in contact with water**.
- **NEVER** hang this unit on a wall **directly below an electrical outlet**.
- **NEVER** operate this heater if the **power cord** or **plug** has become **damaged**, or if the **grounding pin** is **damaged** or **missing**.
- Place the heater near a wall outlet so an extension cord is not needed. If an extension cord is needed, the **gauge** of the cord **must be at least 14AWG**, and the **rating must be at least 1875 Watts**. **NEVER** use a **smaller gauge** cord with a **lower rating**. Doing so may result in **fire** or **electric shock**.
- **ONLY** use this heater on a **110~120 Volt 15 Amp grounded circuit**. **NEVER overload the circuit**. If this heater trips the circuit breaker, unplug all other appliances on the same circuit before the next use. Avoid plugging other appliances into the same circuit as this heater.
- **NEVER** plug this heater into an outlet that is **old, cracked**, or has any **loose wires or connections**. Plugging this heater into a faulty outlet could result in **electric arcing** within the outlet that could cause the **outlet to overheat or catch fire**.
- **ALWAYS** check your heater cord and plug connections with **each use!**
 - i) **MAKE SURE** the plug fits tight in the outlet! Faulty wall outlet connections or loose plugs can cause the outlet to overheat.
 - ii) **Heaters draw more current** than small appliances. **Overheating** may occur even if it has not occurred with the use of other appliances.
 - iii) During use **check frequently** to see if the **plug outlet or faceplate is HOT!**
 - iv) If the outlet or faceplate is **HOT, discontinue use immediately** and have a qualified electrician inspect and/or replace the faulty outlets.
- The cord supplied with the heater has a plug with two blades (live and neutral) and one round pin (ground). If a 3-slot receptacle is not available, an adapter **MUST** be used. The adapter **MUST** be **properly grounded** to the outlet box (see figure at right).



PREPARATION



This insert has front panel made of **GLASS! ALWAYS** use **extreme caution** when handling **glass**. Failure to do so could result in **personal injury** or **property damage**.

Remove all parts and hardware from the carton and place them on a clean, soft, dry surface. Check the parts list to make sure nothing is missing. Dispose of packaging materials properly. Please recycle whenever possible.

OPERATION



Read and understand this entire owner's manual, including **all safety information**, before **plugging in** or **using** this product. Failure to do so could result in **electric shock, fire, serious injury, or death**.

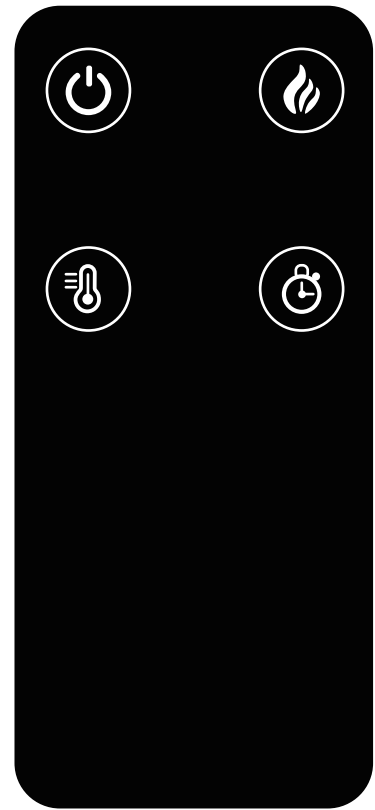
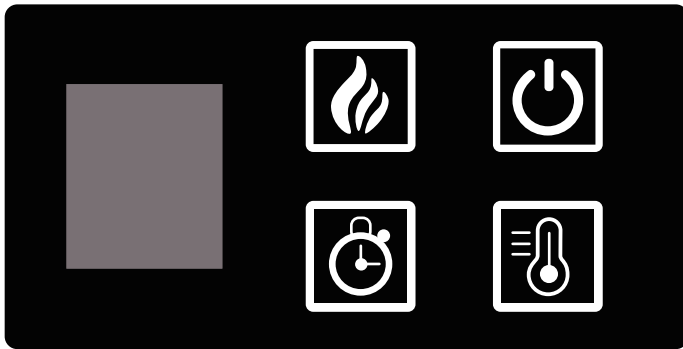
Power

Make sure the ON/OFF switch, located on the control panel, is in the OFF position. Plug the power cord into a 110~120 Volt 15 Amp grounded outlet (see **IMPORTANT SAFETY INFORMATION** on **Pages 3 and 4**). Make sure the outlet is in good condition and that the plug is not loose. **NEVER** exceed the maximum amperage for the circuit. **DO NOT** plug other appliances into the same circuit.





Thermostat

This heater is equipped with a Thermostat. Should the ambient temperature exceeds/lower than the set temperature, the heater will automatically turn OFF/ON.

CONTROL PANEL AND REMOTE



Control panel/Remote control Operation

BUTTON	FUNCTION	ACTION&INDICATION
	<p>1. Press once to turn on flame effect, fuel bed lights, and enable remote control functions.</p> <p>2. Press again to turn off flame effect, and shut off power to remote control, and all functions.</p>	<p>1. Flame effect and fuel bed turn on. Remote control functions are enabled.</p> <p>2. Flame effect turn off. The remote control functions will not function.</p>
	<p>The DIMMER controls the brightness of the flame effect.</p> <p>Press the button to set the flame effect to the desired level.</p> <p>Keep pressing 3 seconds to change flame color.</p>	<p>The flame effect cycles through different levels, then returns to the first level.</p> <p>Keep pressing 3 seconds to change flame color.</p>
	<p>HEATER button: Turn heater on and off.</p> <p>NOTE: To prevent overheating, the heater fan will blow out cool air for 30 seconds after the heater turn off.</p>	<p>1. Press once. Indicator lights up. Shows "00" no heater</p> <p>2. Press again. Indicator lights up. Shows "HH" 1400W heaters turns on and blows hot air.</p> <p>3. Press again, set the temperature 65F-70F-75F-80F-85F-90F-95F-00-HH</p>
	<p>TIMER button: Control timer settings to turn off fireplace at selected time.</p>	<p>1. Press once. Indicator light turn on, Temperature is set to hours.</p> <p>Press again until desired setting is reached. LED display show setting.</p>

NOTICE

NOTICE

To improve operation, DO NOT press the buttons too quickly. Give the unit time to respond to each command.



WARNING

NEVER leave heater unattended during operation! Failure to do so could result in **personal injury** or **property damage**.

NOTICE

When the heater is first turned on, a slight odor may be present. This is normal and should not occur again unless the heater is not used for a long period of time.

Remote Control Battery Information

- Small remote control uses one CR2025 battery(included)



NEVER dispose of batteries in fire. Failure to observe this precaution may result in an explosion.

Dispose of batteries at your local hazardous material processing center.

CARE AND MAINTENANCE



ALWAYS turn the heater **OFF** and **unplug the power cord from the outlet** before cleaning, performing maintenance, or moving this fireplace. Failure to do so could result in **electric shock, fire, or personal injury**.

Cleaning



NEVER immerse in water or spray with water. Doing so could result in electric shock, fire, or personal injury.

Metal:

- Buff using a soft cloth, slightly dampened with a citrus oil-based product.
- DO NOT use brass polish or household cleaners as these products will damage the metal trim.

Glass:

- Use a good quality glass cleaner and dry thoroughly with a paper towel or lint-free cloth.
- NEVER use abrasive cleansers, liquid sprays, or any cleaner that could scratch the surface.

Vents:

- Use a vacuum or duster to remove dust and dirt from the heater and vent areas.
- Clean the exterior of the fireplace with a slightly damp cloth or duster.

Maintenance



Risk of electric shock! DO NOT OPEN! No user-serviceable parts inside!

NOTICE



ALWAYS turn the heater **OFF** and **unplug the power cord from the outlet** before cleaning, performing maintenance, or moving this fireplace. Failure to do so could result in **electric shock, fire, or personal injury**.

Electrical and Moving Parts:

- The fan motors are lubricated at the factory and will not require lubrication.
- Electrical components are integrated in the fireplace and are not serviceable by the consumer.

Storage:

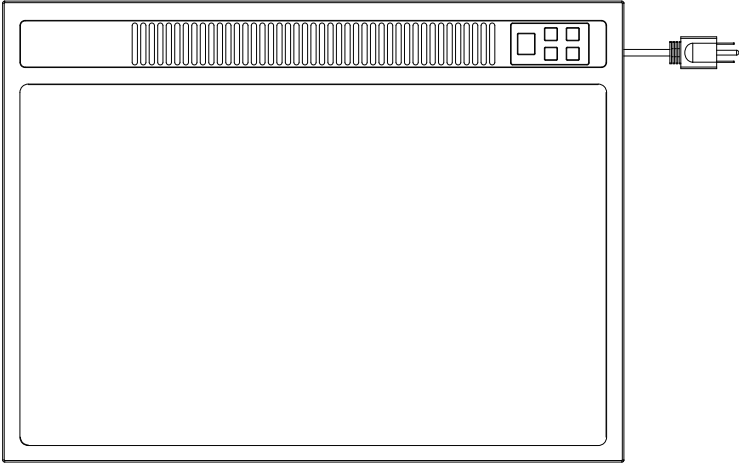

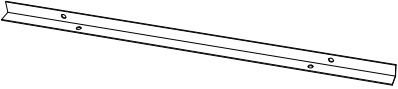
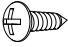
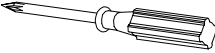
- Store heater in a clean dry place when not in use.



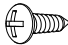
WARNING! No other servicing should be performed by the consumer. Do not attempt to service the unit yourself.

PARTS LIST

Parts List

<p>(A)</p>	 <p>Electronic fireplace body</p>	<p>1 PC</p>
<p>(B)</p>	 <p>Long fixing bar</p>	<p>1 PC</p>
<p>(C)</p>	 <p>Short fixing bar</p>	<p>2 PCS</p>
<p>(D)</p>	 <p>M4x12</p>	<p>12 PCS</p>
<p>(E)</p>	 <p>Screwdriver</p>	<p>1 PC</p>

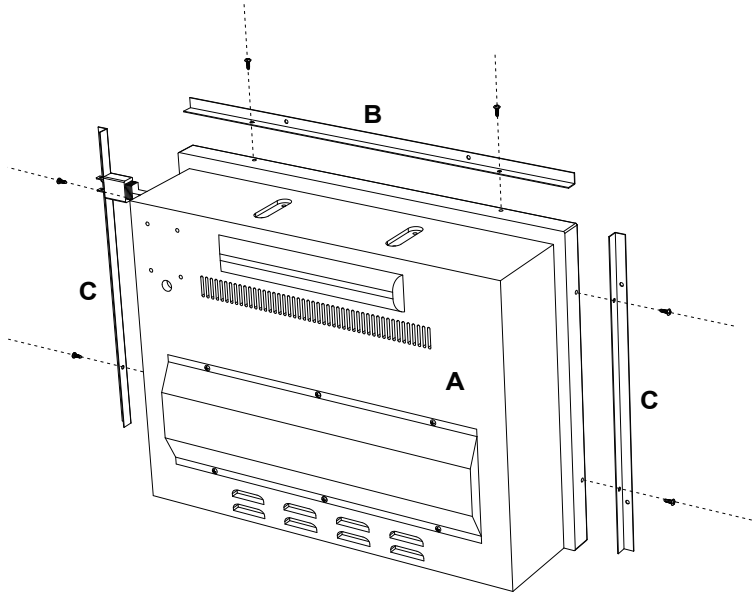
Extra (Screw Set)

<p>(D)</p>	 <p>M4x12</p>	<p>2 PCS</p>
------------	--	--------------

INSTALLATION AND ASSEMBLY

Step 1: Select a suitable location that is not susceptible to moisture.

Step 2: Fix part B,C on the fireplace by screws(D).

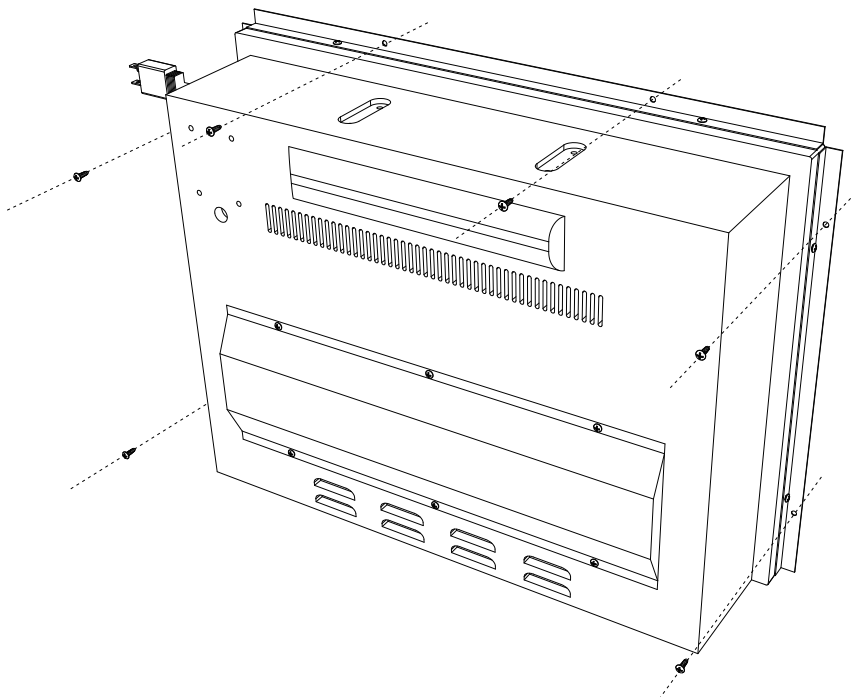


D



x6

Step 3: Fix the fireplace in the TV stand by screws(D).



D



x6

TROUBLESHOOTING



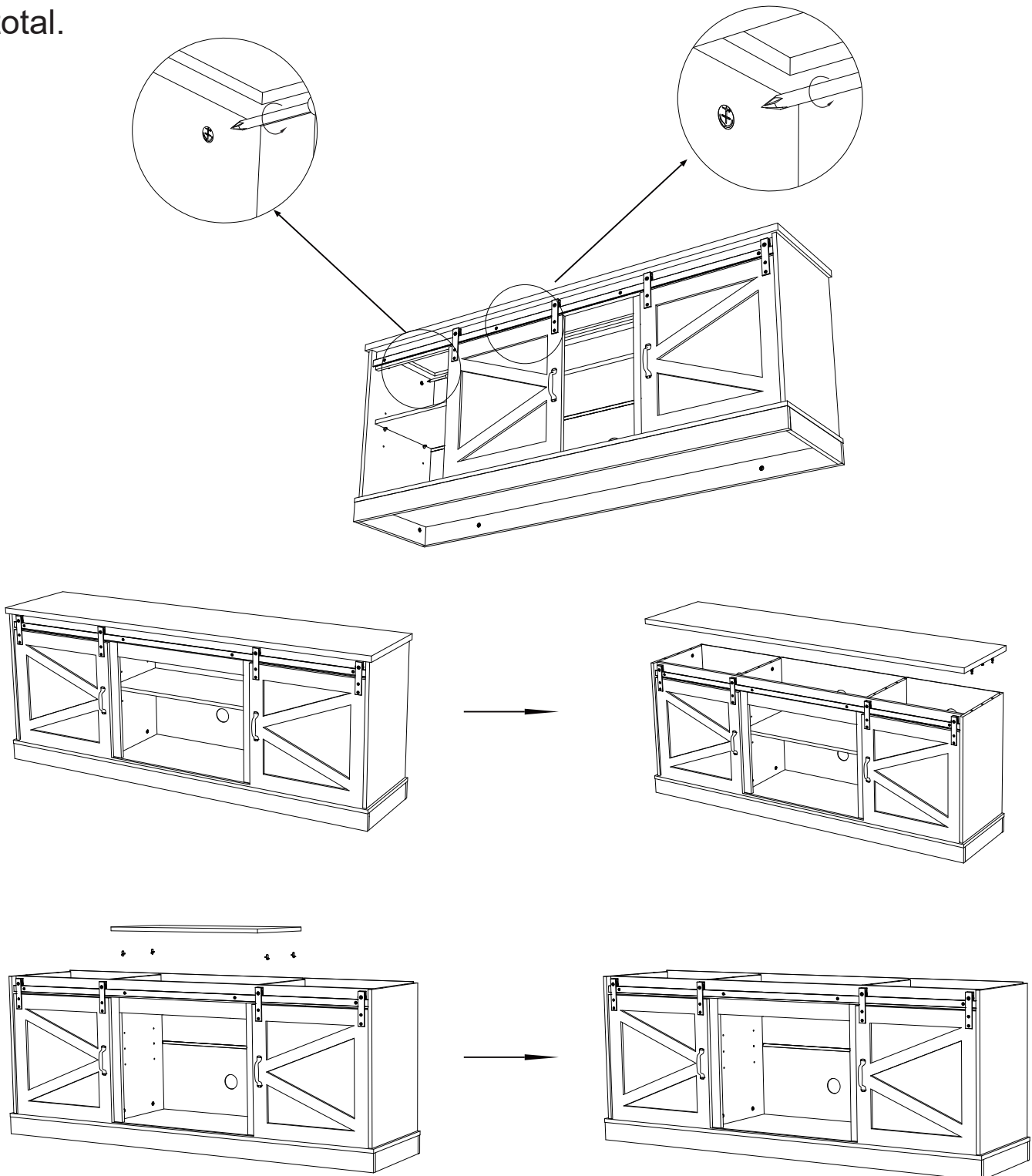
WARNING: Turn off the appliance, unplug and let cool for at least 10 minutes before attempting to service. Only a qualified professional should attempt to service or repair the appliance.

Problem	Possible Cause	Corrective Action
No flame	<ol style="list-style-type: none"> 1. Dimmer control button set too Low. 2. LED bulb are burned out. 3. "Flame wand" has come loose from bracket. 4. "Flame wand" motor is not functioning. 	<ol style="list-style-type: none"> 1. Push Dimmer button to increase light 2. Contact with the technical 3. Remove back panel. Secure end of "flame wand" back into the support Bracket 4. Call of Technical service.
The appliance turns off and will not turn back on	<ol style="list-style-type: none"> 1. The overheat protection device in the appliance has been triggered. 2. House circuit breaker has been tripped 	<ol style="list-style-type: none"> 1. Turn all controls off, unplug the appliance, allow to cool for at least 10 minutes, then plug back in and restart. 2. Reset house circuit breaker.
The appliance does not turn on when the button is pushed to "ON"	<ol style="list-style-type: none"> 1. The overheat protection device in the appliance has been triggered. 	<ol style="list-style-type: none"> 1. Turn all controls off, unplug the appliance. Allow to cool for at least 10 minutes, then plug back in and restart.
Remote control does not work	<ol style="list-style-type: none"> 1. Low batteries. 2. Manual control on the appliance must be "ON" before operating the remote control. 	<ol style="list-style-type: none"> 1. Replace all batteries in the remote control 2. Push the appliance "ON" using the manual control panel, then use remote control to operate. If using the remote control the appliance, you must also turn on the appliance "ON" using the remote control

If You Already Have A TV Stand Installed

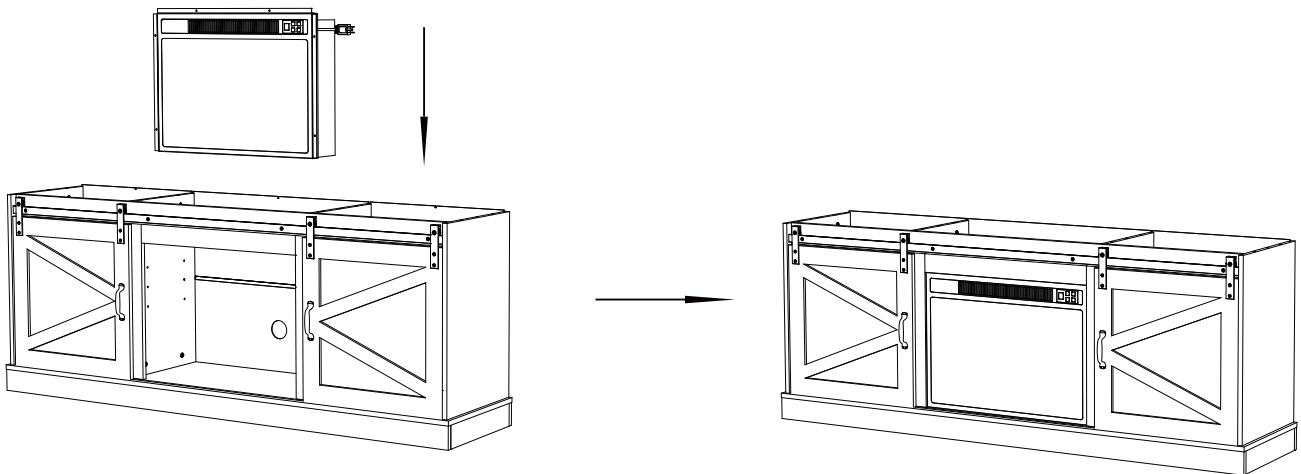
Step 1: Slowly loosen the screws on the riser plate until the top plate can be removed and then remove the long bulkhead and the support tabs underneath it.

NOTE: The top stopper on the back of the TV stand needs to be taken out. Make sure that each screw is loosened, there are 8 screws in total.



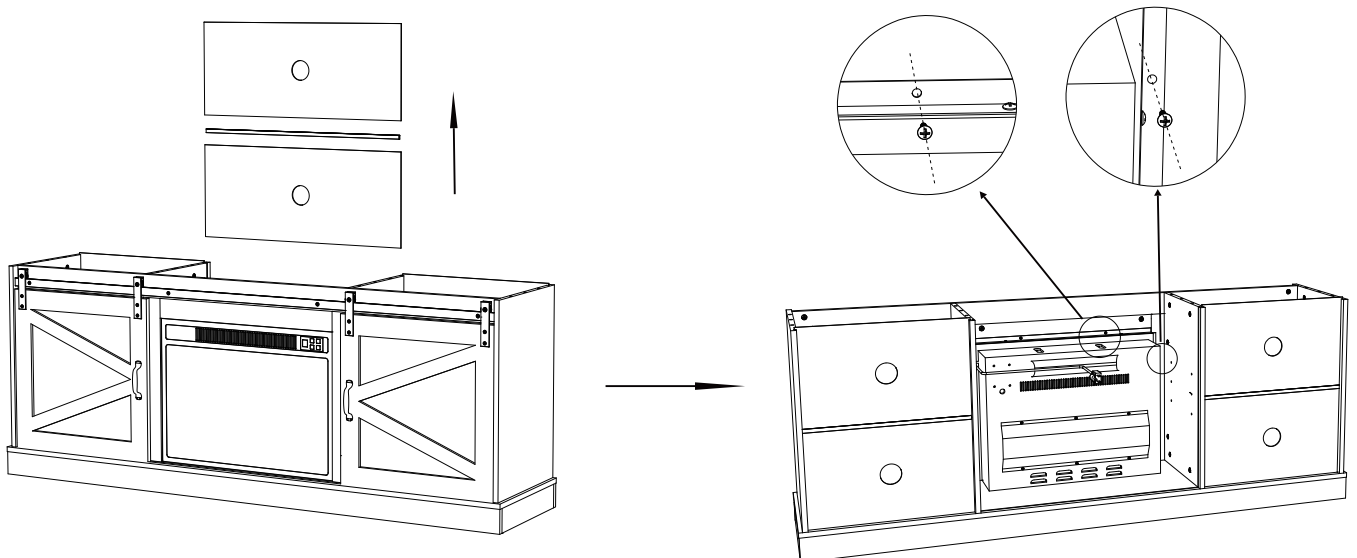
How To Assemble Electronic Fireplace

Step 1: Place the electric fireplace in the center of the TV stand.



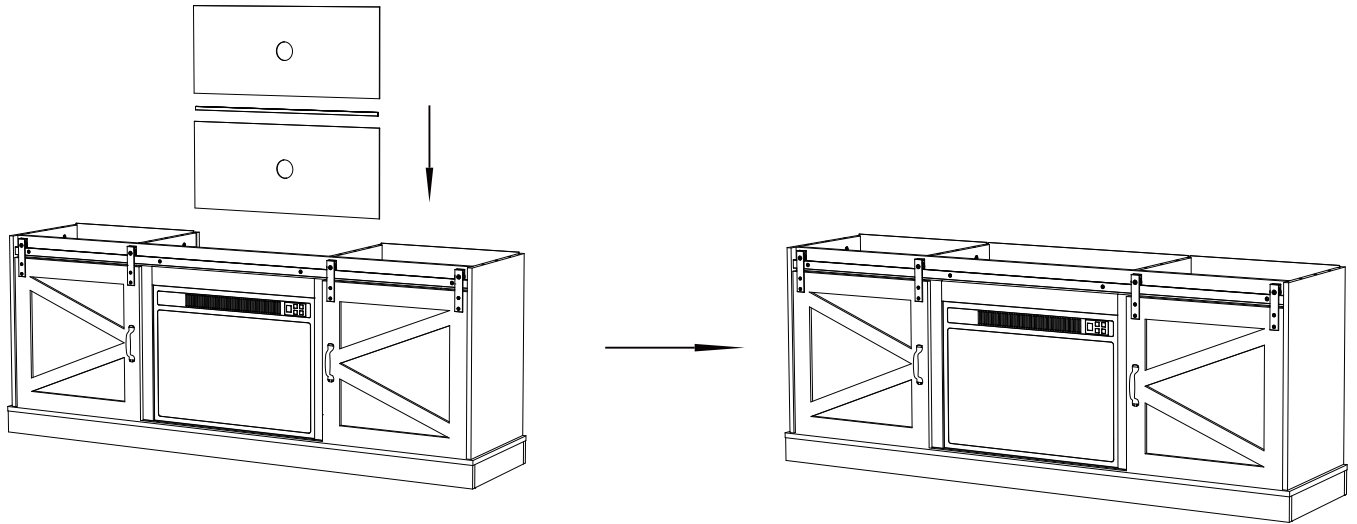
Step 2: Remove the long backplate and secure the electric fireplace to the door stopper with screws.

NOTE: The screws needed for this step are inside the box containing the electric fireplace.

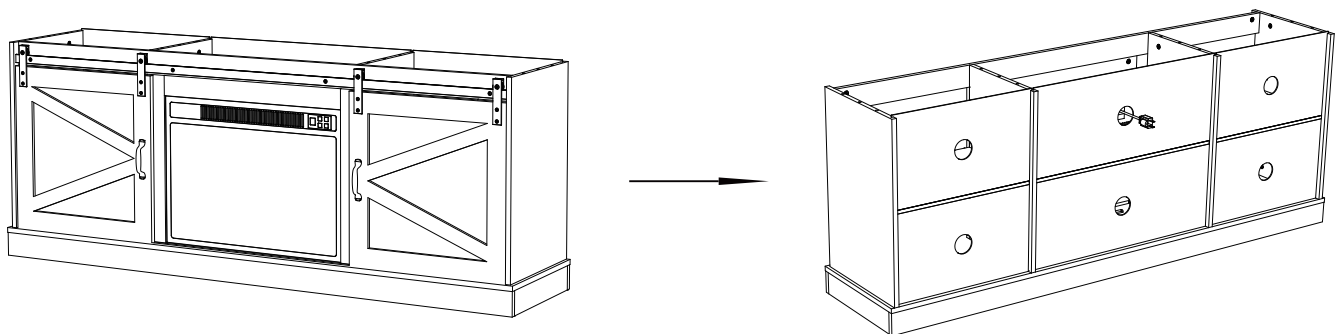


Installation steps

Step 3: Reposition the long backplate and fixing rods into the recess.



Step 4: Remove the plug for the electric fireplace from the round hole in the middle of the long backplate.



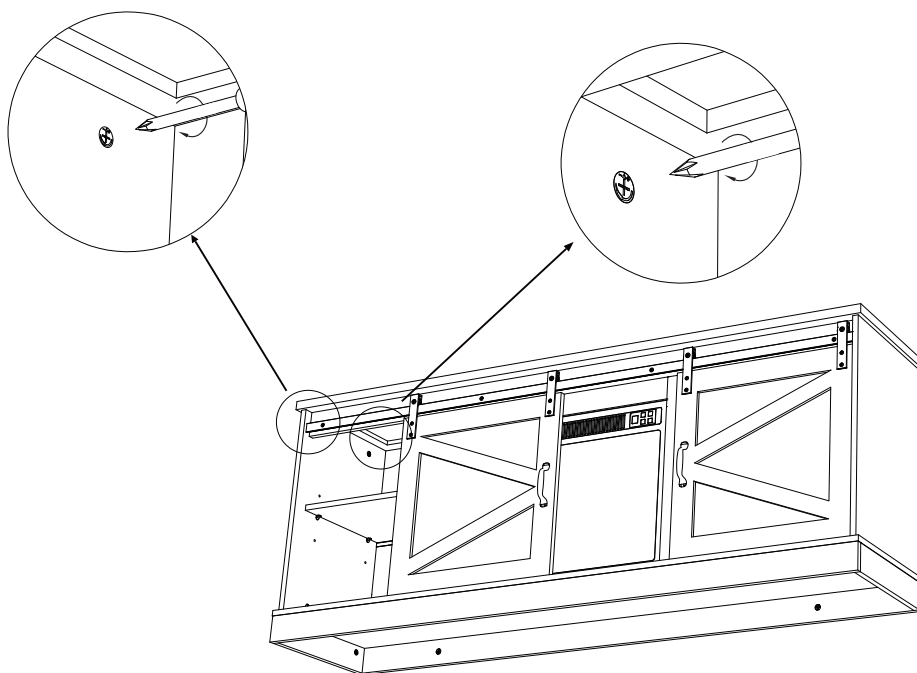
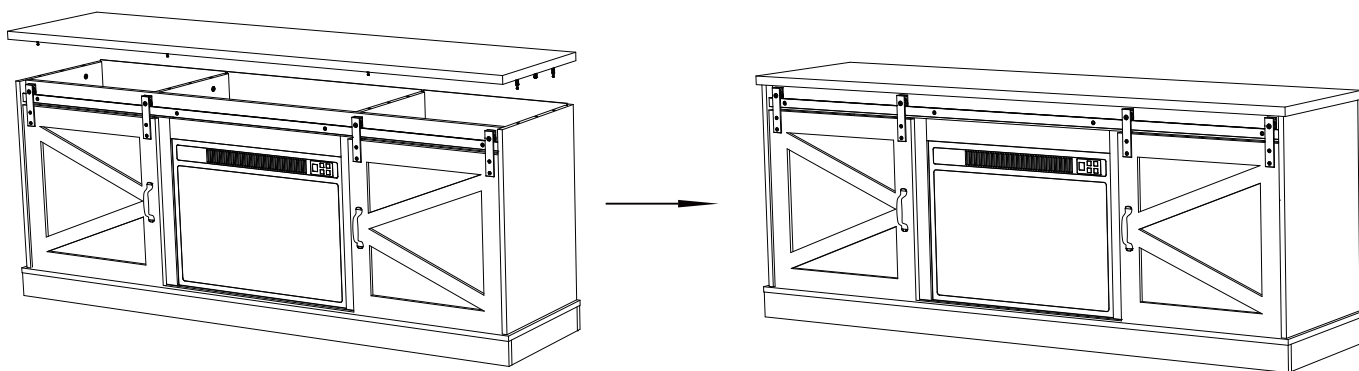
Installation steps

Step 5: Insert the screws and locating wood rods on the top plate against the holes on the vertical plate and tighten the screws on the vertical plate with a screwdriver.

NOTE: The side of the top panel with the notch is the back of the TV stand, and you need to snap the back panel into the notch.

This step requires the help of another person to slowly adjust the position of the riser so that the screws and locating wooden rods are inserted into the holes.

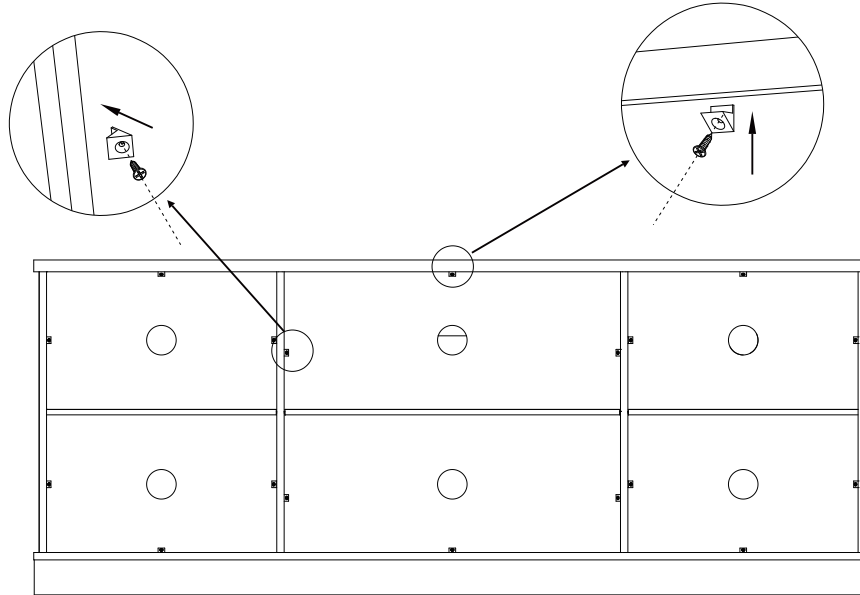
If the screw cannot be inserted into the vertical plate, slowly rotate the screw until it can be inserted into the vertical plate.



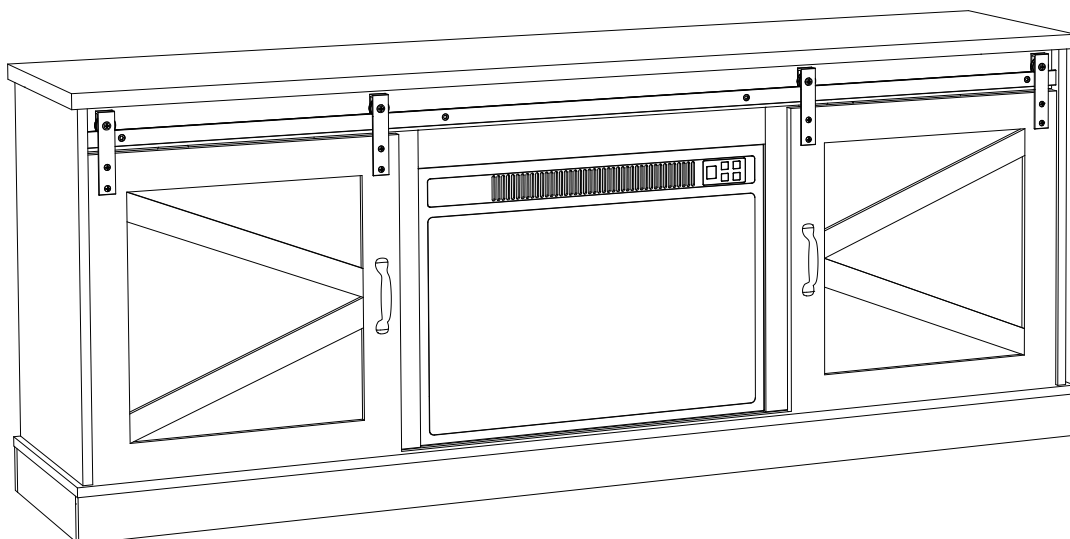
Installation steps

Step 6: Insert the stopper into the gap at the edge of the back panel on the back of the TV stand and secure it by tightening it with screws from forty-five degrees.

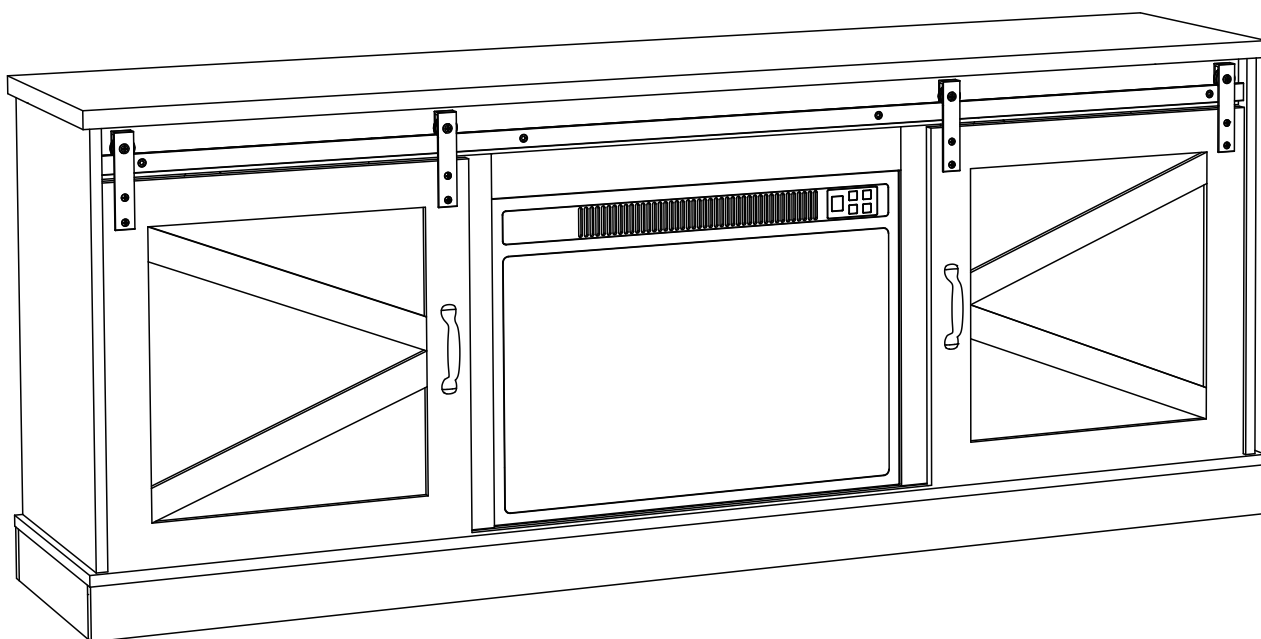
NOTE: The stoppers on the neutral plate need to be staggered at the top and bottom.



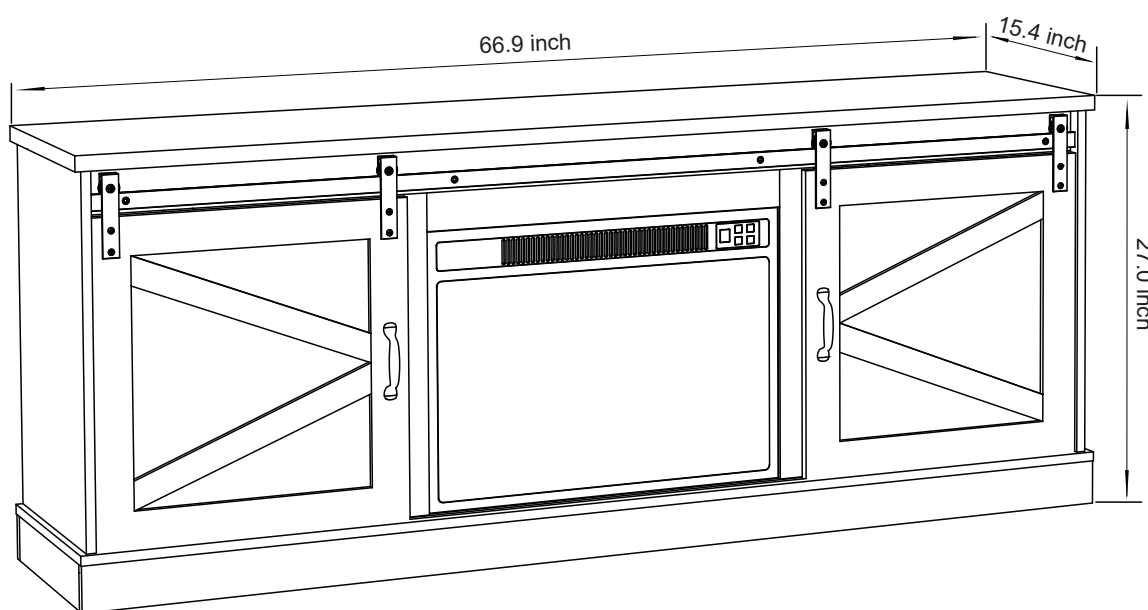
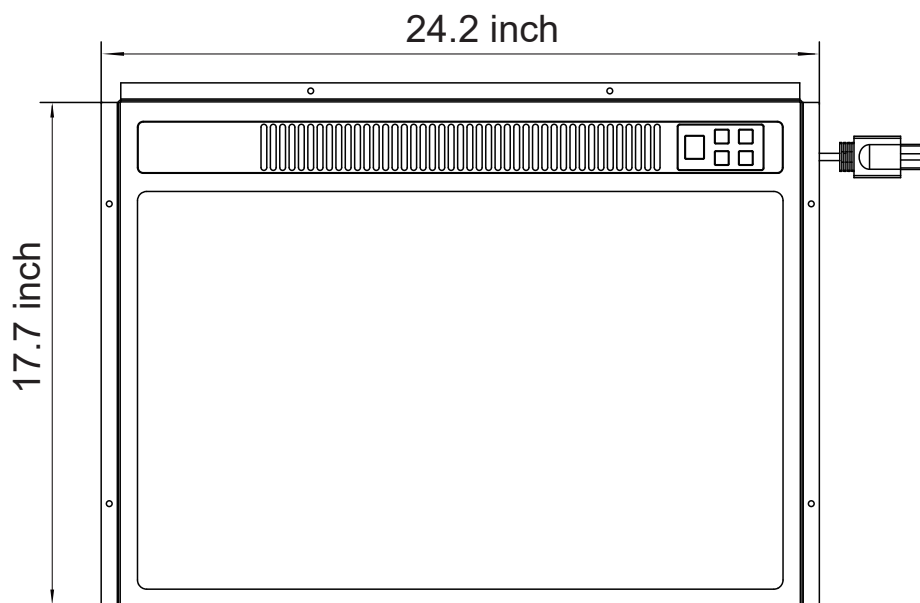
Step 7: Check all the screws, connect the power to the electronic fireplace and start using it!



Foyer électronique Meuble TV Description française



Spécifications



INFORMATIONS SUR LA SÉCURITÉ DES CONSOMMATEURS

- Lisez ce manuel avant d'installer et d'utiliser cet appareil.
- Le non-respect de ces instructions peut entraîner un choc électrique, un incendie, des dommages matériels ou corporels.
- Ne pas stocker ou utiliser d'essence ou d'autres liquides inflammables à proximité de cet appareil.



AVERTISSEMENT



- **TOUJOURS** maintenez les cordons électriques, les meubles, les rideaux, les vêtements, les papiers et autres combustibles à une distance d'au moins 0,9 m de l'avant de l'appareil, ainsi que du bas, des côtés et de l'arrière de l'appareil.
- **NE PAS** placer l'appareil près d'un lit car des objets tels que des oreillers ou des couvertures peuvent tomber du lit et être enflammés par l'appareil.
- **NE COUVREZ PAS** ce radiateur et n'obstruez pas les orifices d'aération. Cela pourrait provoquer un incendie.
- **ÉVITEZ les incendies et les chocs électriques ! N'insérez JAMAIS** de corps étrangers dans les orifices de ventilation ou d'évacuation de ce chauffage et ne les laissez jamais y pénétrer.
- **Prévenez les incendies !** Tenez tous les liquides inflammables, comme l'essence ou la peinture, à l'écart de cet appareil. Cet appareil produit des étincelles qui peuvent enflammer les liquides inflammables.
- **NE Couvrez PAS** cet appareil de quelque manière que ce soit. Cela pourrait bloquer le flux d'air et provoquer une surchauffe de l'appareil, ou enflammer le matériau recouvrant l'appareil.
- **Ne faites JAMAIS** passer le cordon d'alimentation sous une moquette, un tapis, des patins ou tout autre revêtement. Cela pourrait entraîner une surchauffe du cordon ou des matériaux qui le recouvrent.
- **ÉVITEZ LES INCENDIES !** Inspectez régulièrement toutes les bouches d'aération pour vous assurer qu'elles ne sont pas obstruées par de la poussière, des peluches ou d'autres éléments. Débranchez l'appareil et nettoyez-le **UNIQUEMENT** à l'aide d'un aspirateur. **NE PAS** rincer ni mouiller.



AVERTISSEMENT



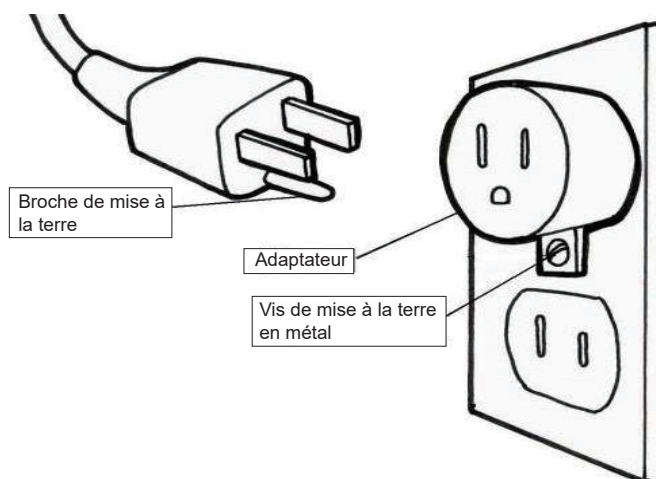
- **Pour un usage résidentiel uniquement ! PAS pour un usage commercial ! N'utilisez JAMAIS** ce foyer à d'autres fins que celles pour lesquelles il a été conçu.
- **N'utilisez** ce poêle qu'avec la cheminée livrée avec le poêle. **N'utilisez JAMAIS** une cheminée d'un autre fabricant.
- **N'utilisez JAMAIS** cet insert de cheminée électrique s'il n'est pas correctement installé dans le manteau approprié.
- Soyez extrêmement prudent si vous utilisez ce radiateur à proximité d'enfants ou dans un endroit où des enfants peuvent être présents.
- **Ne laissez JAMAIS** cet appareil sans surveillance. **Débranchez TOUJOURS** cet appareil lorsqu'il n'est pas utilisé.
- Cet appareil est chaud lorsqu'il est **utilisé. ÉVITEZ LES BLESSURES ! NE TOUCHEZ PAS les surfaces chaudes et n'essayez pas de déplacer l'appareil lorsqu'il est chaud.**
- **Éteignez TOUJOURS** cet appareil avant de le débrancher.
- **ÉVITEZ LES BLESSURES !** Veillez à ce que le cordon ne traverse pas les zones de circulation afin d'éviter de trébucher.
- **Ne modifiez JAMAIS ce foyer.** La modification de ce foyer annule toutes les garanties.
- **Cessez d'utiliser** ce foyer s'il fonctionne mal, s'il tombe ou s'il est endommagé de quelque manière que ce soit.



AVERTISSEMENT



- **Risque d'électrocution ! NE PAS OUVRIR !** Il n'y a pas de pièces réparables par l'utilisateur à l'intérieur !
- **TOUJOURS débrancher** cet appareil de l'alimentation électrique avant d'effectuer tout assemblage ou nettoyage, ou avant de déplacer le foyer électrique.
- **Stockez TOUJOURS** cet appareil dans un endroit sec. **N'utilisez JAMAIS** le foyer s'il a été mouillé.
- **N'utilisez JAMAIS** cet appareil dans une salle de bains, une buanderie ou tout autre endroit où l'appareil pourrait tomber dans une baignoire ou une piscine, devenir humide ou entrer en contact avec de l'eau.
- **N'accrochez JAMAIS** cet appareil à un mur situé juste en dessous d'une prise électrique.
- **N'utilisez JAMAIS** cet appareil si le cordon d'alimentation ou la fiche sont endommagés, ou si la broche de mise à la terre est endommagée ou manquante.
- Placez l'appareil près d'une prise murale afin de ne pas avoir besoin d'une rallonge. Si une rallonge est nécessaire, le calibre du cordon doit être d'au **moins 14AWG**, et la puissance doit être d'au **moins 1875 Watts**. **N'utilisez JAMAIS** un cordon de plus petit calibre avec une puissance inférieure. Vous risqueriez de provoquer un incendie ou une électrocution.
- **N'utilisez** ce radiateur que sur un circuit de **110~120 volts de 15 ampères** avec mise à la terre. **Ne surchargez JAMAIS** le circuit. Si l'appareil déclenche le disjoncteur, débranchez tous les autres appareils du même circuit avant la prochaine utilisation. Évitez de brancher d'autres appareils sur le même circuit que cet appareil.
- **Ne branchez JAMAIS** cet appareil sur une prise de courant ancienne, fissurée ou dont les fils ou les connexions sont desserrés. Le fait de brancher cet appareil sur une prise défectueuse peut provoquer un arc électrique à l'intérieur de la prise et entraîner une surchauffe ou un incendie de cette dernière.
- **Vérifiez TOUJOURS** les connexions du cordon et de la fiche de l'appareil à chaque utilisation !
 - i) **S'ASSURER** que la fiche est bien insérée dans la prise ! Des connexions murales défectueuses ou des fiches mal serrées peuvent entraîner une surchauffe de la prise.
 - ii) **Les appareils de chauffage** consomment plus de courant que les petits appareils. Une surchauffe peut se produire même si elle ne s'est pas produite lors de l'utilisation d'autres appareils.
 - iii) Pendant l'utilisation, vérifiez fréquemment si la prise de courant ou la plaque frontale n'est pas **CHAUDE !**
 - iv) Si la prise ou la plaque est **CHAUDE**, cessez immédiatement d'utiliser l'appareil et demandez à un électricien qualifié d'inspecter et/ou de remplacer les prises défectueuses.
- Le cordon fourni avec l'appareil est doté d'une fiche à deux lames (sous tension et neutre) et d'une broche ronde (terre). Si une prise à 3 fentes n'est pas disponible, un adaptateur **DOIT** être utilisé. L'adaptateur **DOIT** être correctement mis à la terre dans la boîte de sortie (voir figure de droite).



PRÉPARATION



La face avant de cet insert est en **VERRE ! Soyez** toujours extrêmement prudent lorsque vous manipulez du verre. Le non-respect de cette consigne peut entraîner des blessures ou des dommages matériels.

Retirez toutes les pièces et la quincaillerie du carton et placez-les sur une surface propre, douce et sèche.

Vérifiez la liste des pièces pour vous assurer qu'il ne manque rien. Éliminez les matériaux d'emballage de manière appropriée.

Dans la mesure du possible, recyclez-les.

FONCTIONNEMENT



Lisez et comprenez l'intégralité de ce manuel d'utilisation, y compris toutes les informations relatives à la sécurité, avant de brancher ou d'utiliser ce produit. Le non-respect de cette consigne peut entraîner un choc électrique, un incendie, des blessures graves, voire la mort.

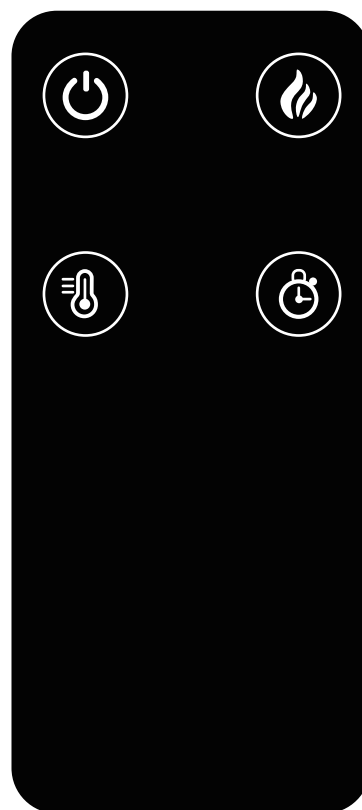
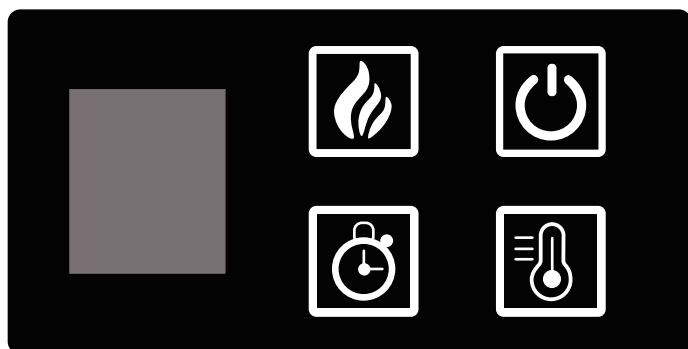
Puissance

Assurez-vous que l'interrupteur ON/OFF, situé sur le panneau de commande, est en position OFF. Branchez le cordon d'alimentation dans une prise de 110~120 volts de 15 ampères avec mise à la terre (voir les **INFORMATIONS IMPORTANTES EN MATIÈRE DE SÉCURITÉ** aux pages 3 et 4). Assurez-vous que la prise est en bon état et que la fiche n'est pas desserrée. **Ne dépassez JAMAIS** l'ampérage maximum du circuit. Ne branchez pas d'autres appareils sur le même circuit.





Thermostat

Ce chauffage est équipé d'un thermostat. Si la température ambiante est supérieure ou inférieure à la température réglée, le chauffage s'éteint ou se rallume automatiquement.

PANNEAU DE CONTRÔLE ET TÉLÉCOMMANDE



Panneau de commande/télécommande Fonctionnement

BUTTON	FUNCTION	ACTION&INDICATION
	<p>1. Appuyez une fois sur cette touche pour activer l'effet de flamme, l'éclairage du lit de combustible et les fonctions de la télécommande.</p> <p>2. Appuyez à nouveau sur cette touche pour désactiver l'effet de flamme et couper l'alimentation de la télécommande et de toutes les fonctions.</p>	<p>1. L'effet de flamme et le lit de combustible s'allument. Les fonctions de la télécommande sont activées.</p> <p>2. L'effet de flamme s'éteint. Les fonctions de la télécommande ne fonctionnent pas.</p>
	<p>La fonction DIMMER permet de contrôler la luminosité de l'effet de flamme.</p> <p>Appuyez sur la touche pour régler l'effet de flamme au niveau souhaité.</p> <p>Maintenir la pression pendant 3 secondes pour changer la couleur de la flamme.</p>	<p>L'effet de flamme passe par différents niveaux, puis revient au premier niveau.</p> <p>Maintenir la pression pendant 3 secondes pour changer la couleur de la flamme.</p>
	<p>Bouton HEATER : Permet d'allumer et d'éteindre le chauffage.</p> <p>NOTE: Pour éviter la surchauffe, le ventilateur du chauffage souffle de l'air frais pendant 30 secondes après l'arrêt du chauffage.</p>	<p>1. Appuyer une fois. L'indicateur s'allume. Affiche "00" pas de chauffage.</p> <p>2. Appuyer à nouveau. L'indicateur s'allume. Le message "HH>1400W" s'allume et souffle de l'air chaud.</p> <p>3. Appuyer à nouveau pour régler la température 65F-70F-75F-80F-85F-90F-95F-00-HH.</p>
	<p>Bouton TIMER (minuterie) : Permet de contrôler les réglages de la minuterie pour éteindre le foyer à l'heure choisie.</p>	<p>1. Appuyer une fois. Le voyant s'allume, la température est réglée sur les heures.</p> <p>Appuyer à nouveau sur la touche jusqu'à ce que le réglage souhaité soit atteint.</p> <p>L'affichage LED indique le réglage.</p>

NOTICE

Pour améliorer le fonctionnement, N'APPUYEZ PAS sur les boutons trop rapidement. Laissez à l'appareil le temps de répondre à chaque commande.



WARNING

Ne laissez JAMAIS l'appareil sans surveillance pendant qu'il fonctionne !

Le non-respect de cette consigne peut entraîner des blessures ou des dommages matériels.

NOTICE

Lorsque le chauffage est mis en marche pour la première fois, une légère odeur peut se dégager. Ce phénomène est normal et ne devrait pas se reproduire, sauf si le chauffage n'est pas utilisé pendant une longue période.

Informations sur les piles de la télécommande

- La petite télécommande fonctionne avec une pile CR2025 (incluse)



Ne jetez JAMAIS les piles au feu. Le non-respect de cette précaution peut entraîner une explosion.

Les piles doivent être éliminées dans le centre de traitement des matières dangereuses le plus proche.

ENTRETIEN ET MAINTENANCE



TOUJOURS éteindre l'appareil et débrancher le cordon d'alimentation de la prise de courant avant de nettoyer, d'effectuer l'entretien ou de déplacer ce foyer. Le non-respect de cette consigne peut entraîner une électrocution, un incendie ou des blessures.

Nettoyage



NE JAMAIS immerger dans l'eau ou pulvériser de l'eau. Cela pourrait entraîner une électrocution, un incendie ou des blessures.

Métal:

- Lustrer à l'aide d'un chiffon doux, légèrement humidifié avec un produit à base d'huile d'agrumes.
- N'UTILISEZ PAS d'encaustique pour laiton ou de nettoyeurs ménagers, car ces produits endommageraient la garniture métallique.

Le verre :

- Utilisez un nettoyeur pour vitres de bonne qualité et séchez soigneusement avec une serviette en papier ou un chiffon non pelucheux.
- N'utilisez JAMAIS de nettoyeurs abrasifs, de sprays liquides ou de tout autre nettoyeur susceptible de rayer la surface.

Ventilateurs:

- Utilisez un aspirateur ou un plumeau pour enlever la poussière et la saleté des zones de chauffage et de ventilation.
- Nettoyez l'extérieur du foyer à l'aide d'un chiffon ou d'un plumeau légèrement humide.

Maintenance



Risque d'électrocution ! NE PAS OUVRIR ! Il n'y a pas de pièces réparables par l'utilisateur à l'intérieur !



TOUJOURS éteindre l'appareil et débrancher le cordon d'alimentation de la prise de courant avant de nettoyer, d'effectuer l'entretien ou de déplacer ce foyer. Le non-respect de cette consigne peut entraîner une électrocution, un incendie ou des blessures.

Pièces électriques et mobiles :

- Les moteurs des ventilateurs sont lubrifiés en usine et n'ont pas besoin d'être lubrifiés.
- Les composants électriques sont intégrés dans le foyer et ne sont pas réparables par le consommateur.

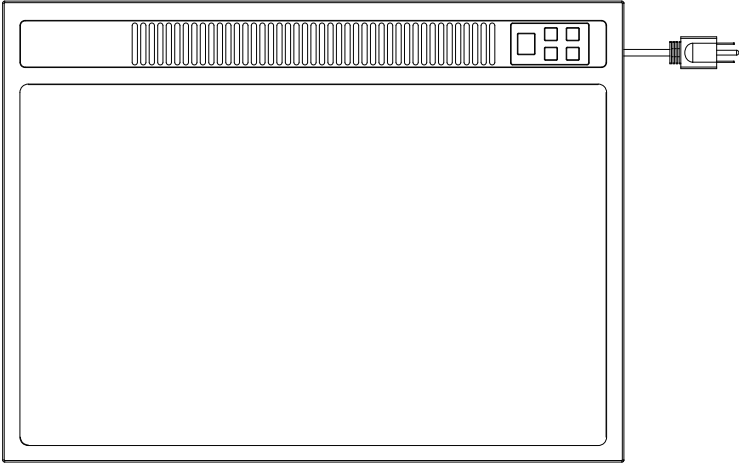
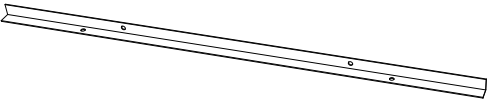

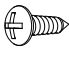
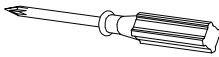
Stockage:

- Stocker le poêle dans un endroit propre et sec lorsqu'il n'est pas utilisé.

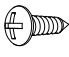


AVERTISSEMENT ! Aucune autre opération d'entretien ne doit être effectuée par le consommateur. N'essayez pas de réparer l'appareil vous-même.

LISTE DES PIÈCES

LISTE DES PIÈCES		
A		1 PC
B		1 PC
C		2 PCS
D		12 PCS
E		1 PC

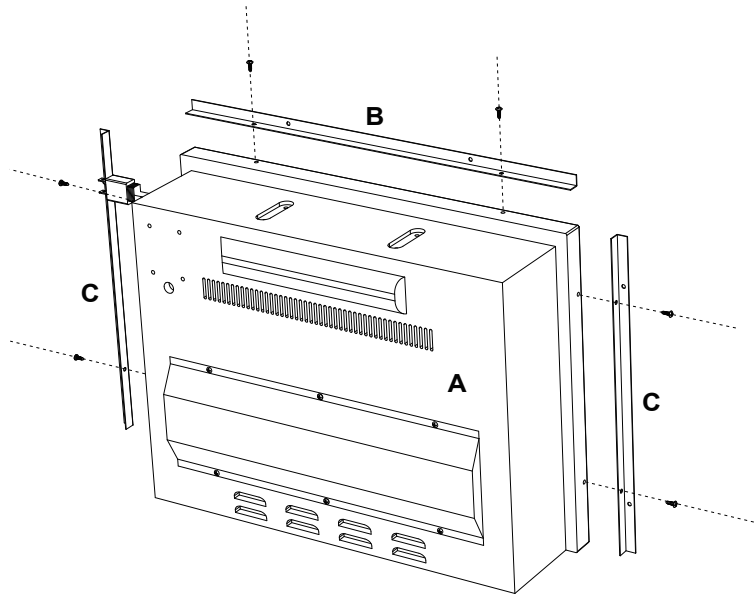
Extra (Jeu de vis)

D		2 PCS
---	---	-------

INSTALLATION ET ASSEMBLAGE

Étape 1: Choisissez un emplacement approprié, à l'abri de l'humidité.

Étape 2: Fixer les parties B et C sur le foyer à l'aide de vis (D).



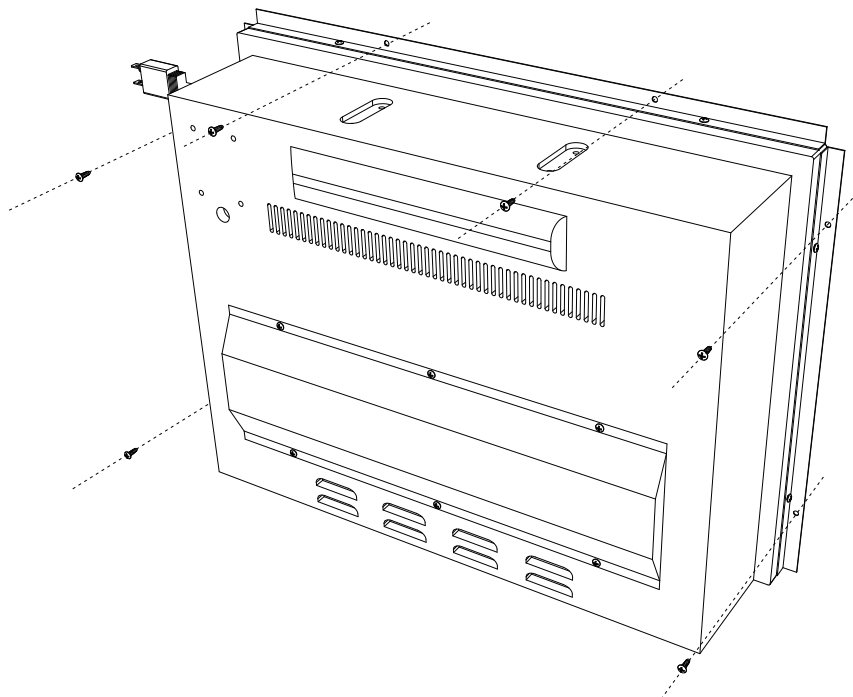
D



M4x12

x6

Étape 3: Fixer la cheminée au support TV à l'aide de vis (D).



D



M4x12

x6

DÉPANNAGE



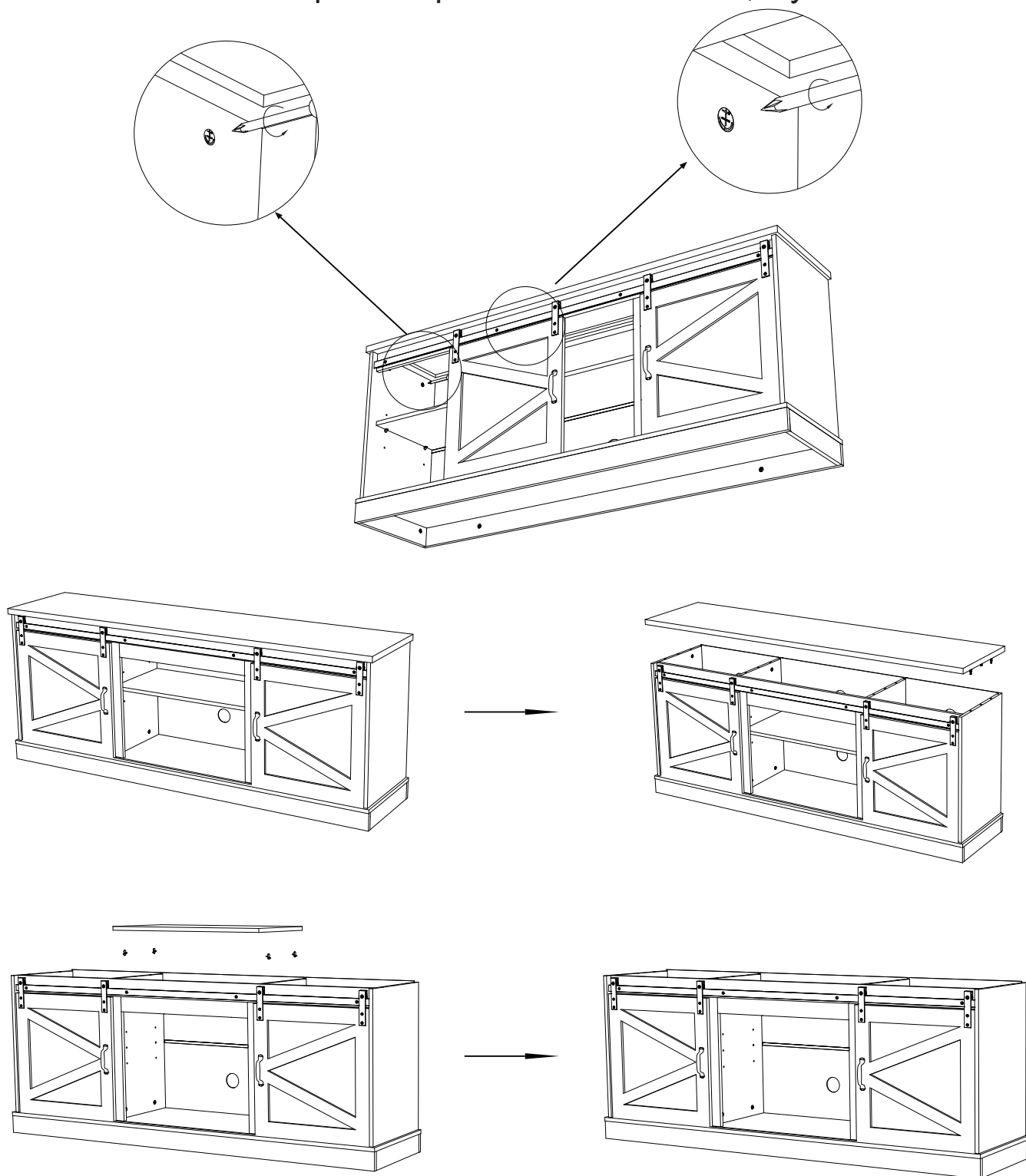
AVERTISSEMENT: Éteignez l'appareil, débranchez-le et laissez-le refroidir pendant au moins 10 minutes avant de tenter de le réparer. Seul un professionnel qualifié doit tenter d'entretenir ou de réparer l'appareil.

Problème	Cause possible	Action corrective
Pas de flamme	<ol style="list-style-type: none"> 1. Le bouton de commande du gradateur est réglé trop bas. 2. Les ampoules LED sont grillées. 3. La "baguette de flamme" s'est détachée du support. 4. Le moteur de la "baguette de flamme" ne fonctionne pas. 	<ol style="list-style-type: none"> 1. Appuyer sur le bouton du variateur pour augmenter la lumière. 2. Contact avec le service technique 3. Retirer le panneau arrière. Fixer l'extrémité de la "baguette de flamme" dans le support. 4. Appel du service technique.
L'appareil s'éteint et ne se rallume pas.	<ol style="list-style-type: none"> 1. Le dispositif de protection contre la surchauffe de l'appareil s'est déclenché. 2. Le disjoncteur de la maison a été déclenché 	<ol style="list-style-type: none"> 1. Éteignez toutes les commandes, débranchez l'appareil, laissez-le refroidir pendant au moins 10 minutes, puis rebranchez-le et redémarrez-le. 2. Réinitialiser le disjoncteur de la maison.
L'appareil ne s'allume pas lorsque l'on appuie sur le bouton "ON"	<ol style="list-style-type: none"> 1. Le dispositif de protection contre la surchauffe de l'appareil s'est déclenché. 	<ol style="list-style-type: none"> 1. Éteignez toutes les commandes et débranchez l'appareil. Laissez-le refroidir pendant au moins 10 minutes, puis rebranchez-le et redémarrez-le.
La télécommande ne fonctionne pas	<ol style="list-style-type: none"> 1. Piles faibles. 2. La commande manuelle de l'appareil doit être sur "ON" avant d'utiliser la télécommande. 	<ol style="list-style-type: none"> 1. Remplacer toutes les piles de la télécommande 2. Mettez l'appareil en marche à l'aide du panneau de commande manuel, puis utilisez la télécommande pour le faire fonctionner. Si vous utilisez la télécommande pour commander l'appareil, vous devez également allumer l'appareil "ON" à l'aide de la télécommande.

Si vous avez déjà installé un meuble TV

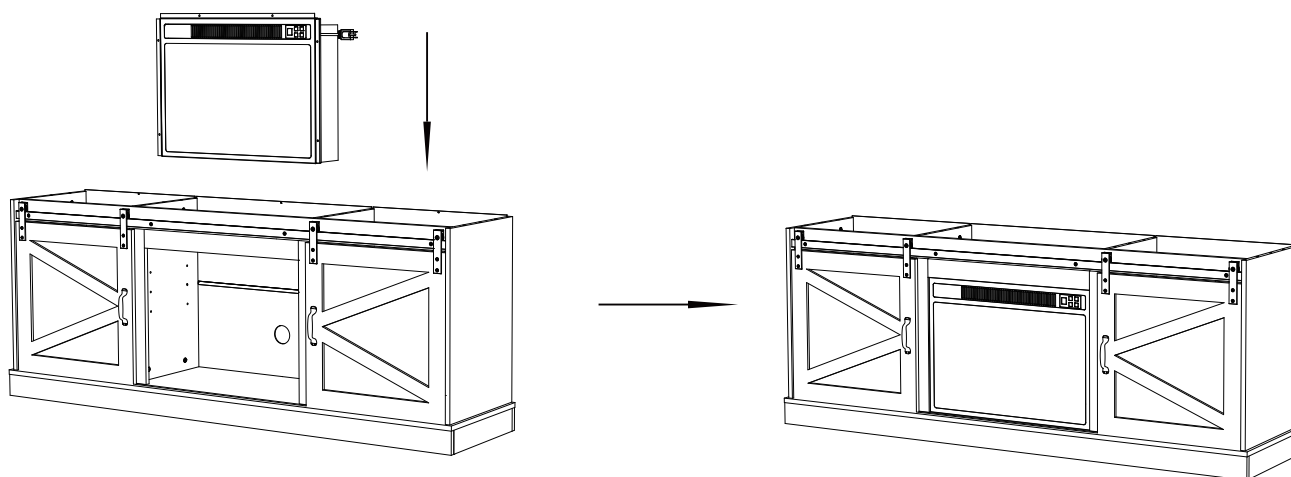
Étape 1: Desserrer lentement les vis de la plaque d'élévation jusqu'à ce que la plaque supérieure puisse être retirée, puis retirer la longue cloison et les pattes de support situées en dessous.

NOTE: Le bouchon supérieur situé à l'arrière du meuble TV doit être retiré. Assurez-vous que chaque vis est desserrée, il y a 8 vis au total.



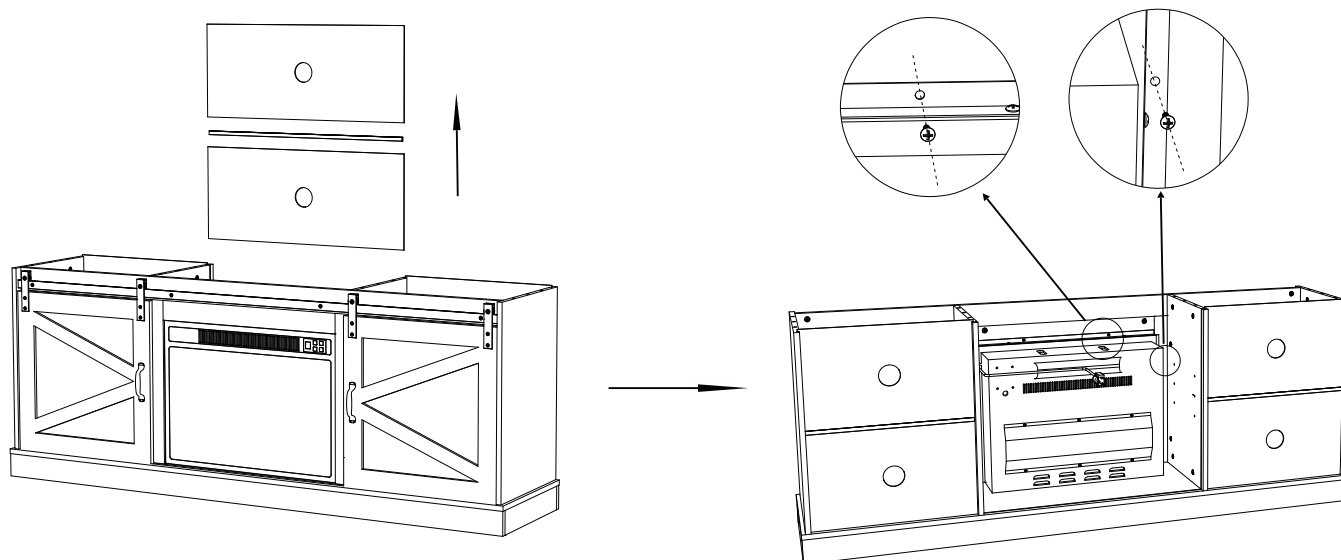
Comment assembler un foyer électronique

Étape 1: Placez la cheminée électrique au centre du meuble TV.



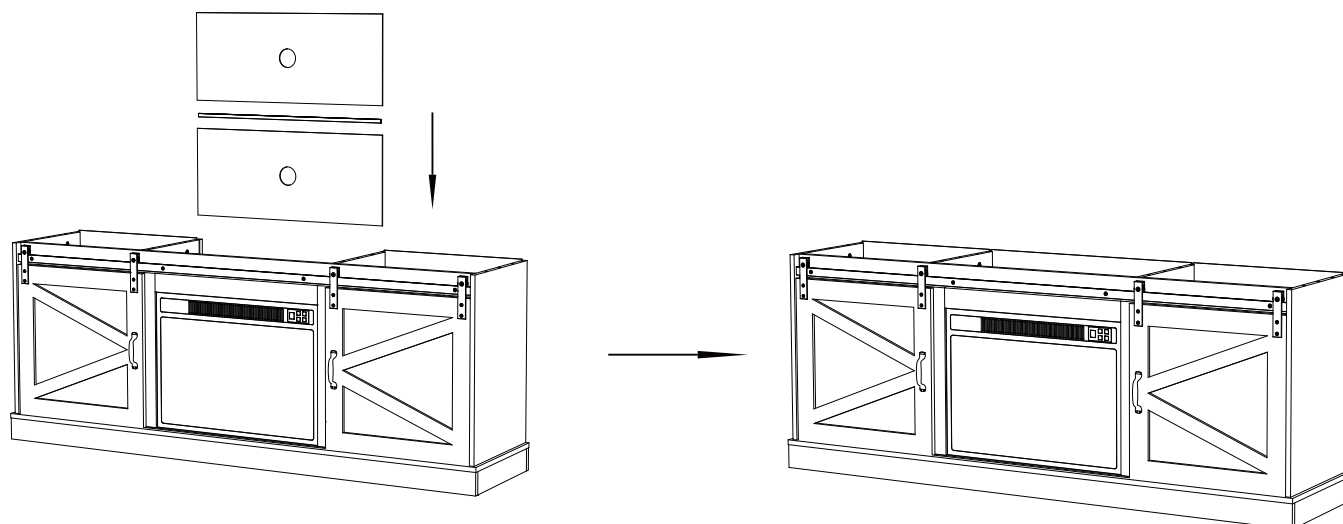
Étape 2: Retirez la longue plaque arrière et fixez le foyer électrique à l'arrêt de porte à l'aide de vis.

NOTE: Les vis nécessaires à cette étape se trouvent dans la boîte contenant la cheminée électrique.

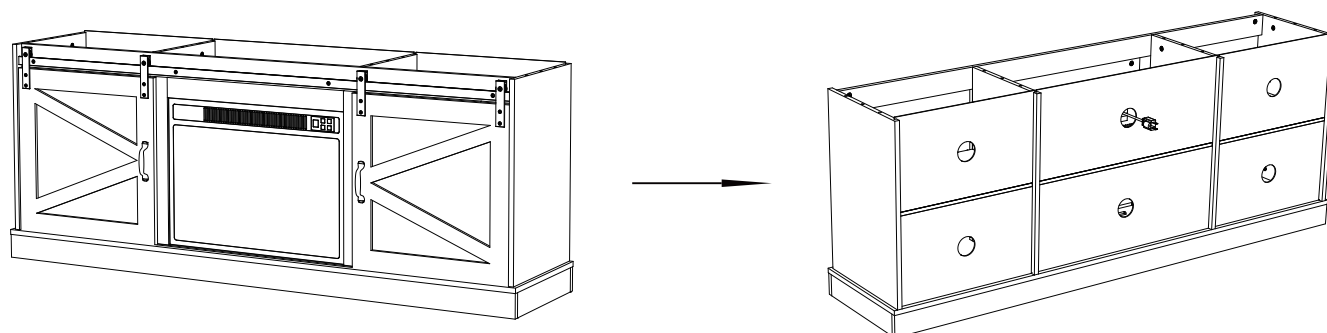


Étapes de l'installation

Étape 3: Replacer la longue plaque arrière et les tiges de fixation dans l'encoche.



Étape 4: Retirez la fiche du foyer électrique du trou rond situé au milieu de la longue plaque arrière.

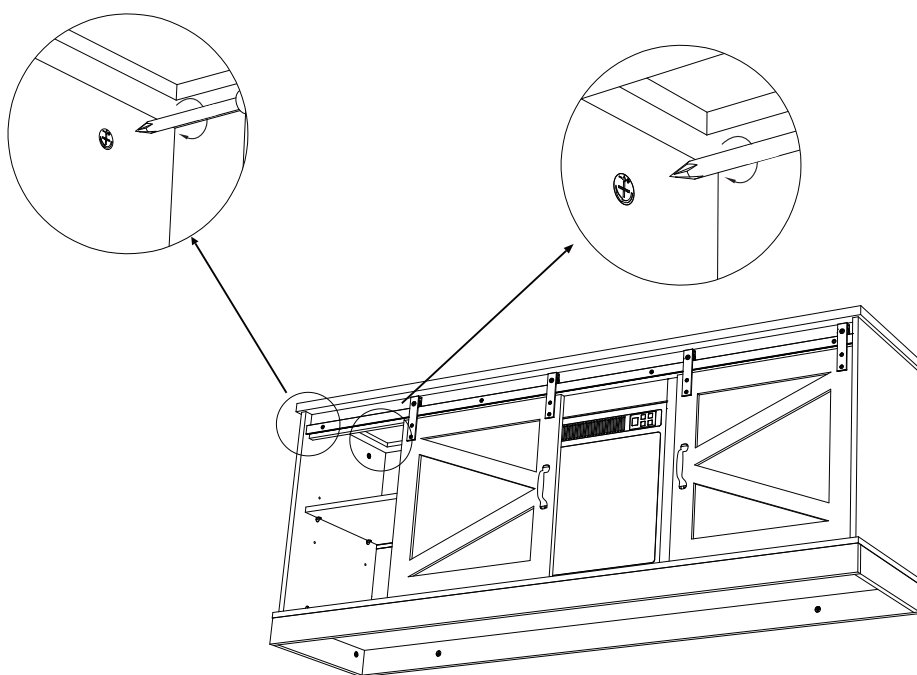
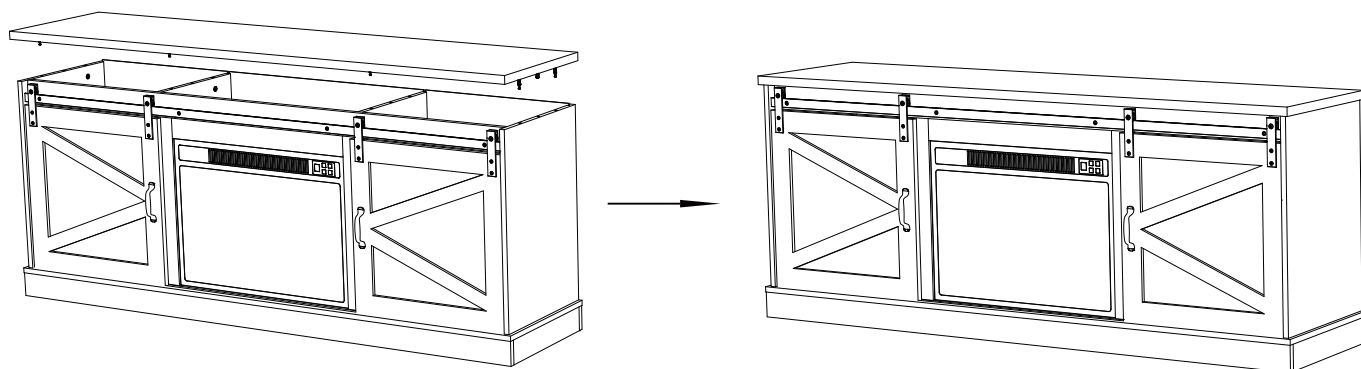


Étapes de l'installation

Étape 5: Insérer les vis et les tiges de bois de positionnement de la plaque supérieure dans les trous de la plaque verticale et serrer les vis de la plaque verticale à l'aide d'un tournevis.

NOTE: Le côté du panneau supérieur avec l'encoche est le dos du support TV, et vous devez enclencher le panneau arrière dans l'encoche. Cette étape nécessite l'aide d'une autre personne pour ajuster lentement la position de l'élévateur afin que les vis et les tiges de bois de positionnement soient insérées dans les trous.

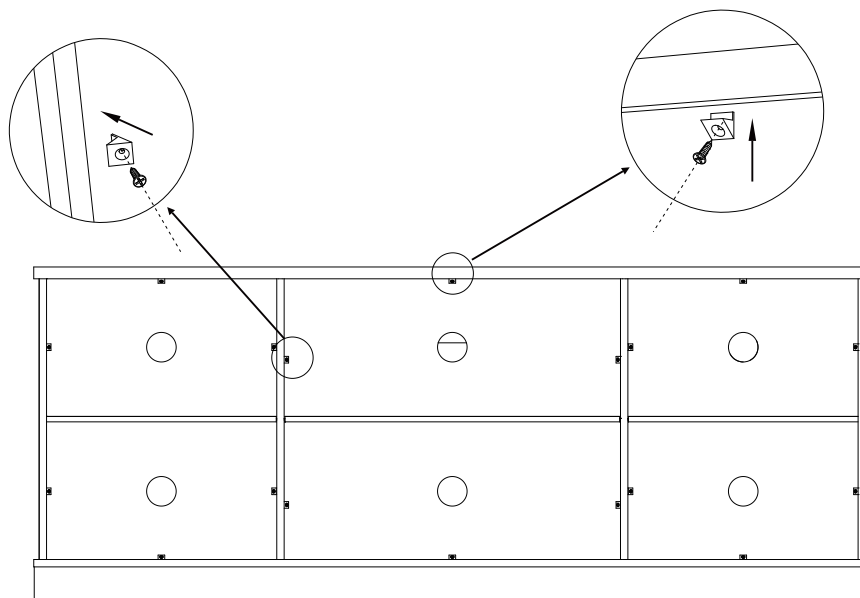
Si la vis ne peut pas être insérée dans la plaque verticale, tourner lentement la vis jusqu'à ce qu'elle puisse être insérée dans la plaque verticale.



Étapes de l'installation

Étape 6: Insérez le bouchon dans l'espace situé au bord du panneau arrière du meuble TV et fixez-le en le serrant à l'aide de vis de quarante-cinq degrés.

NOTE: Les bouchons de la plaque neutre doivent être décalés en haut et en bas.



Étape 7: Vérifiez toutes les vis, branchez la cheminée électronique et commencez à l'utiliser !

