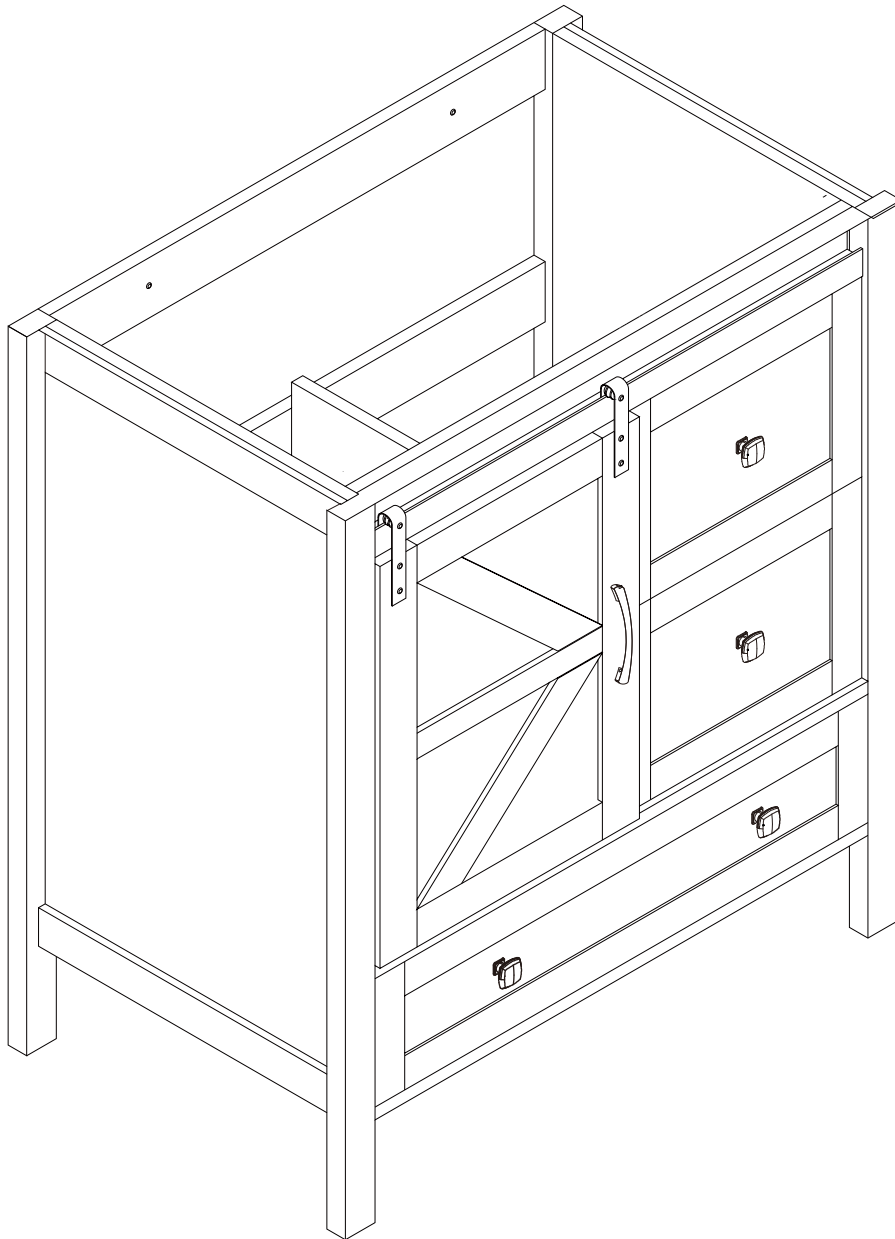


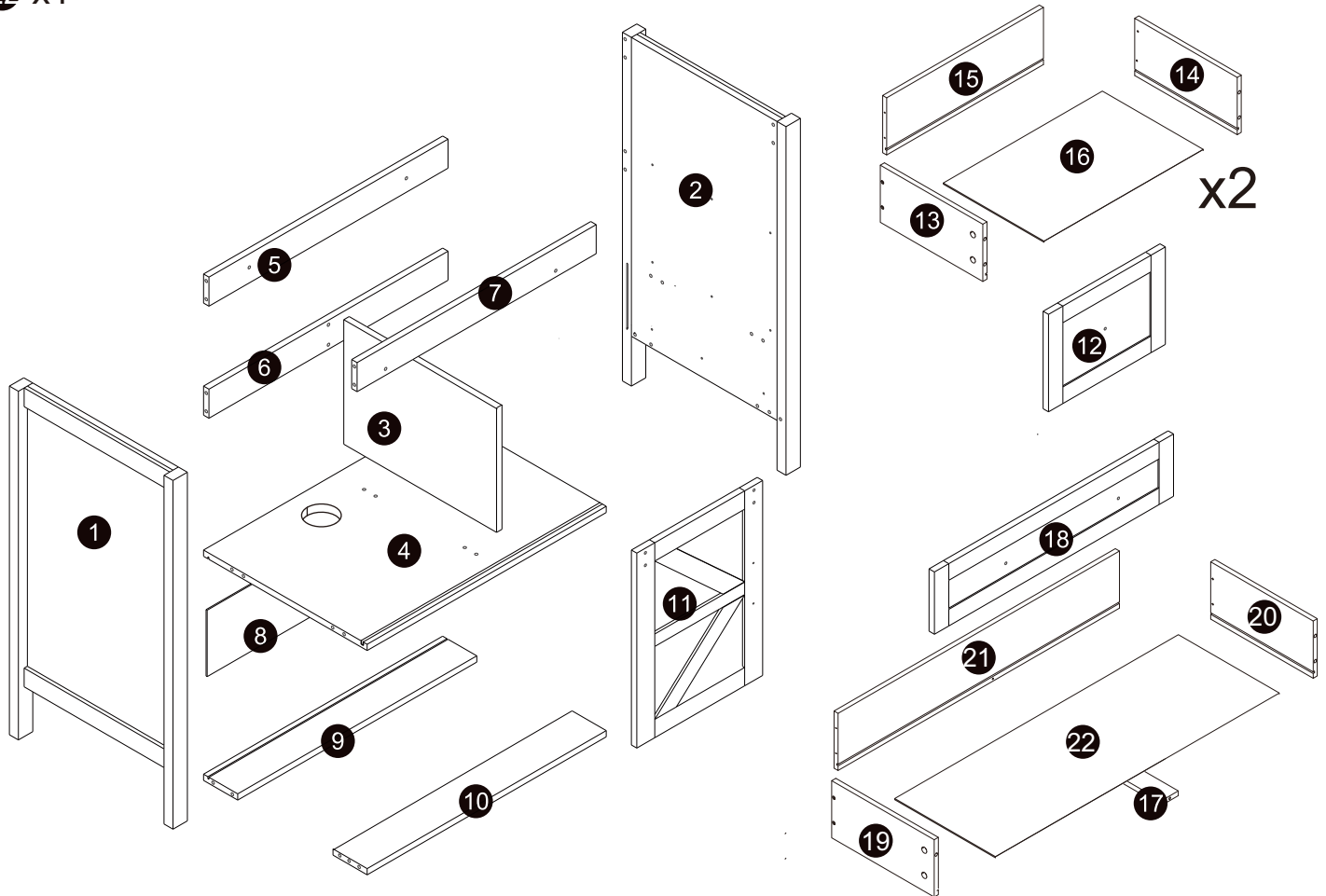
# Assembly Instructions

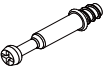

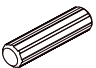
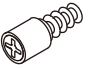








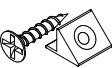


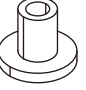

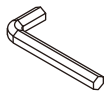


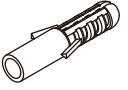

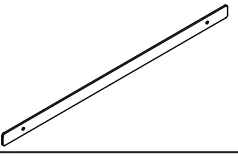


If there is any problem with the item, please call us for more service instead of returning the item directly.

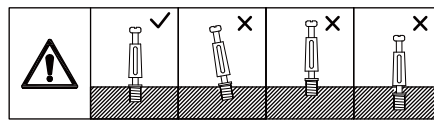
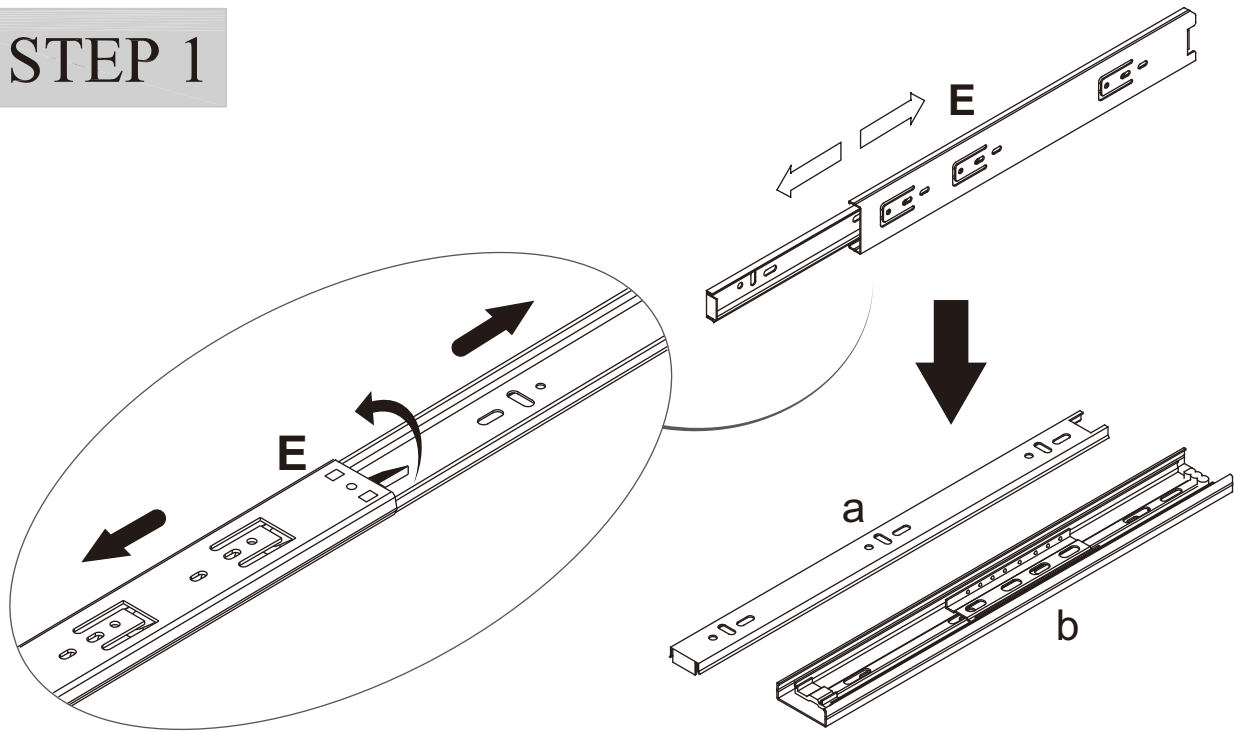
# HARDWARE LIST

- ① x1      ② x1      ③ x1      ④ x1      ⑤ x1      ⑥ x1      ⑦ x1
- ⑧ x1      ⑨ x1      ⑩ x1      ⑪ x1      ⑫ x2      ⑬ x2      ⑭ x2
- ⑮ x2      ⑯ x2      ⑰ x1      ⑱ x1      ⑲ x1      ⑳ x1      ㉑ x1
- ㉒ x1



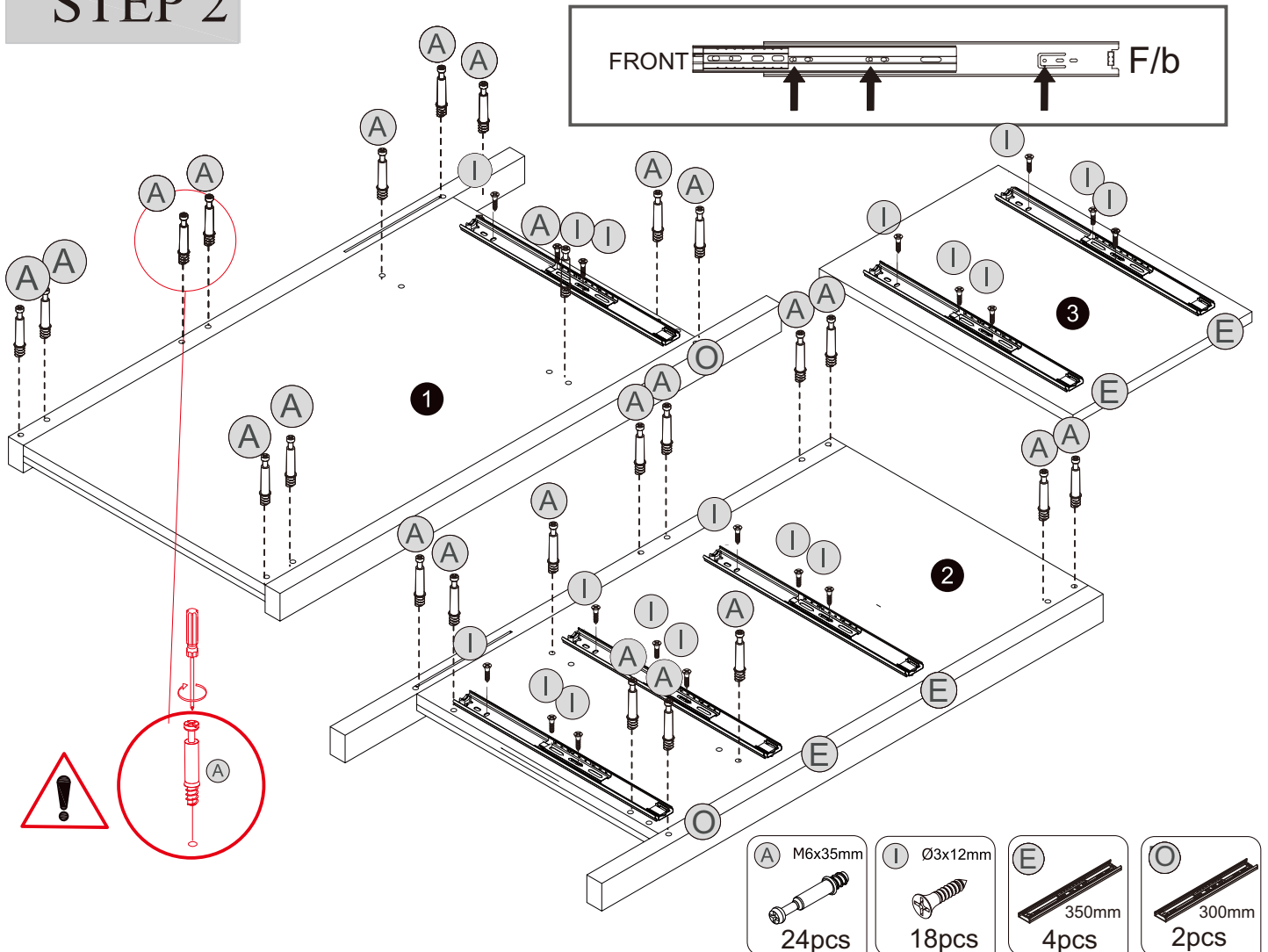
				 350mm			
<b>A = 37</b>	<b>B = 37</b>	<b>C = 8</b>	<b>D = 2</b>	<b>E = 4</b>	<b>F = 4</b>	<b>G = 6</b>	<b>H = 13</b>
						 300mm	
<b>I = 36</b>	<b>J = 4</b>	<b>K = 1</b>	<b>L = 4</b>	<b>M = 4</b>	<b>N = 2</b>	<b>O = 2</b>	<b>P = 2</b>
							
<b>Q = 1</b>	<b>R = 1</b>	<b>S = 2</b>	<b>T = 1</b>	<b>U = 2</b>	<b>V = 2</b>	<b>W = 1</b>	

# STEP 1

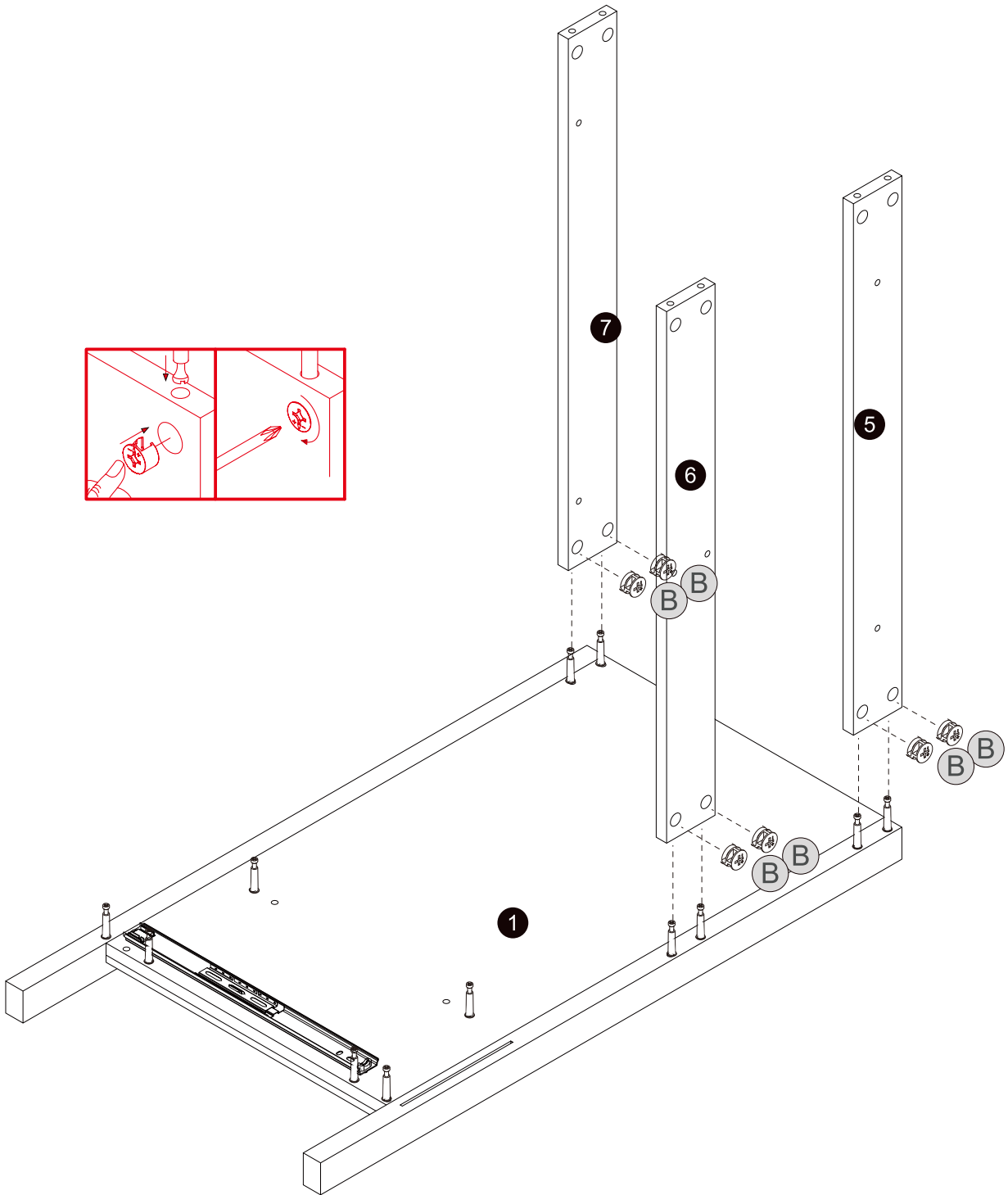


Note: Please make sure the screws are not too loose or too tight, or skewed.

# STEP 2

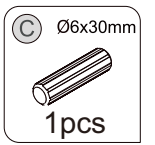
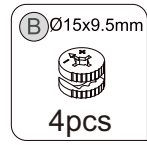
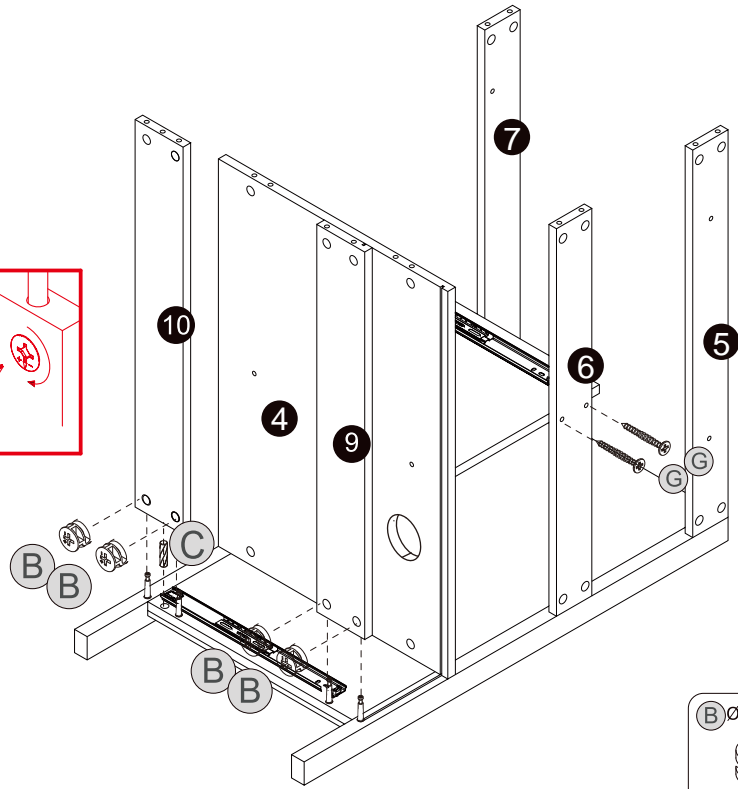
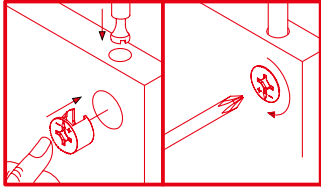


# STEP 3

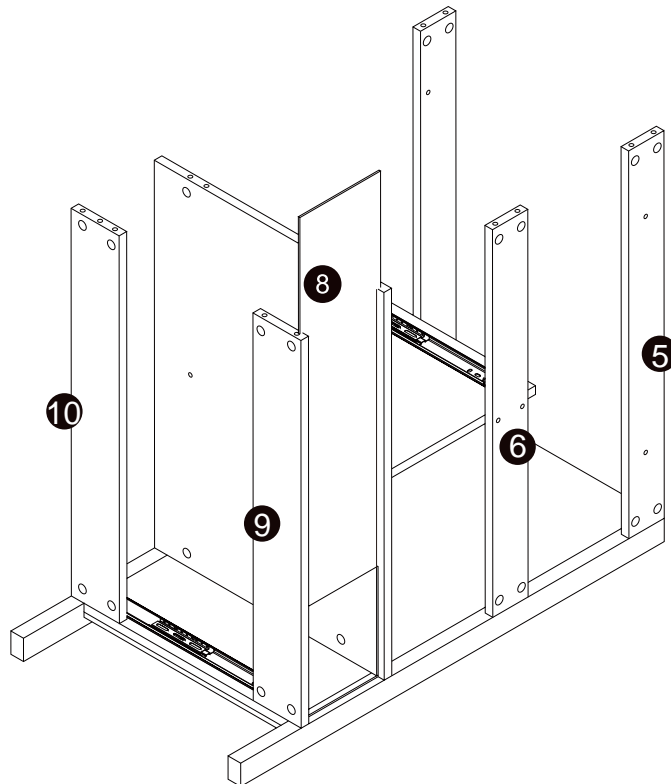




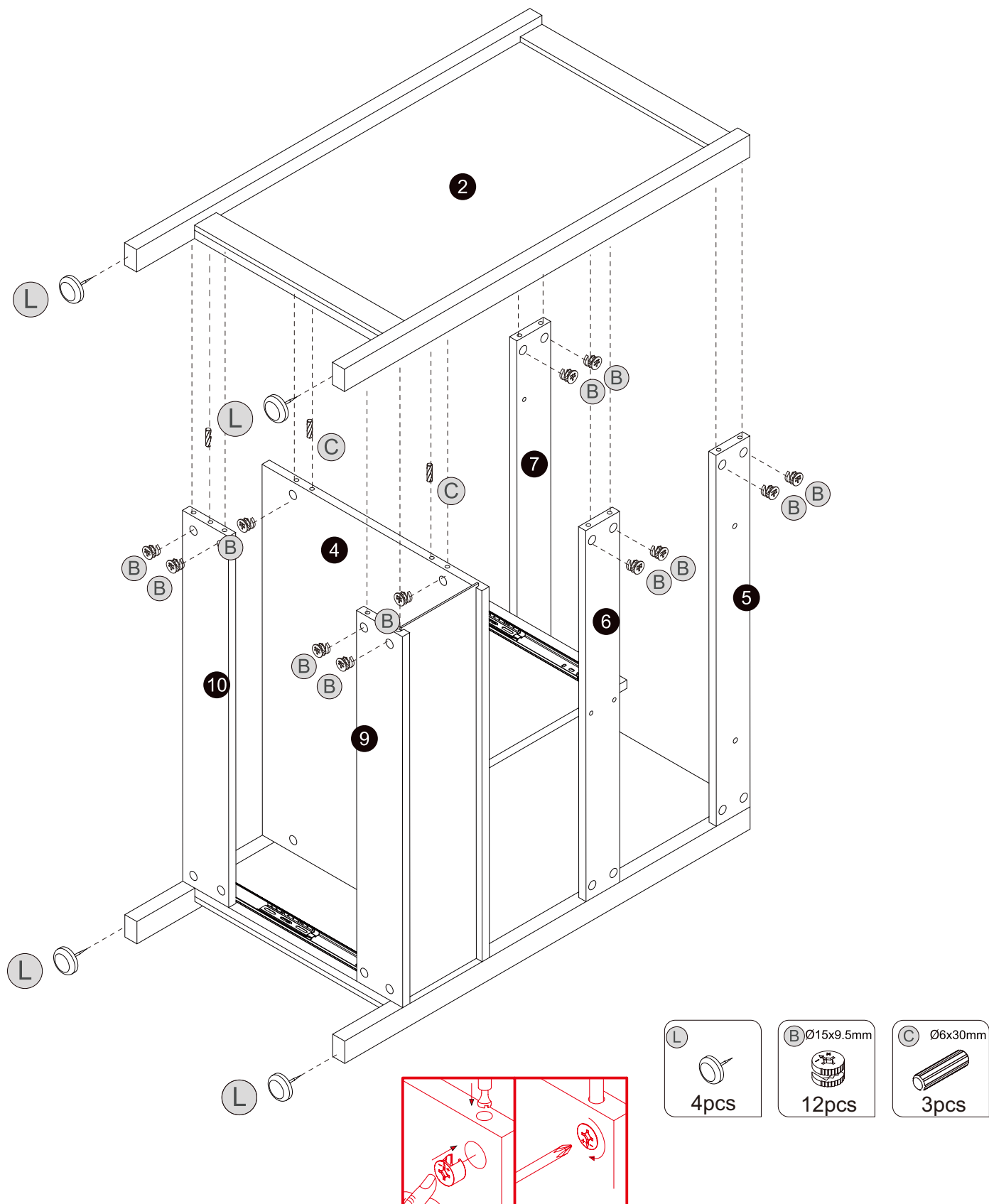
# STEP 5



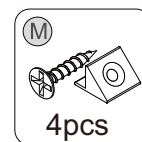
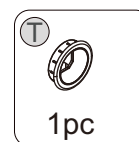
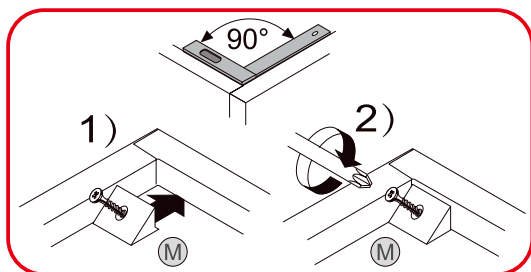
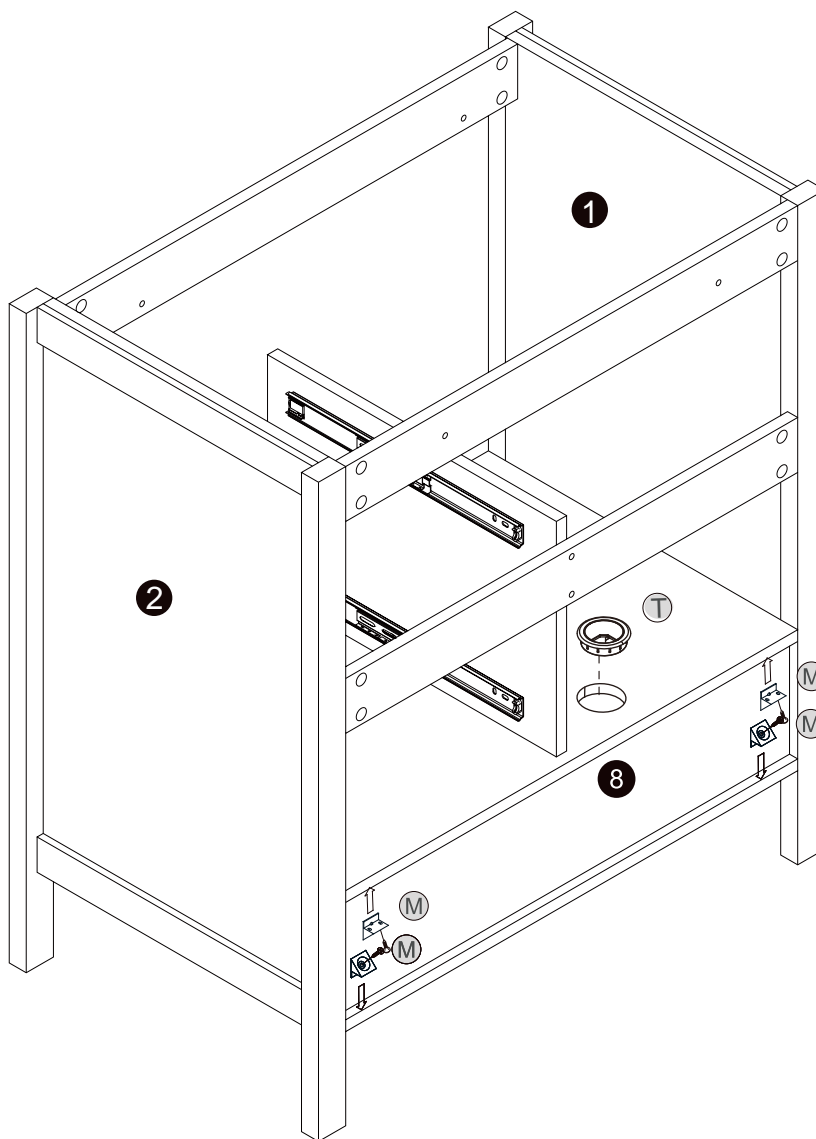
# STEP 6



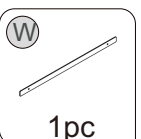
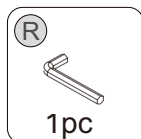
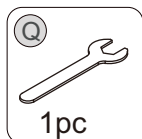
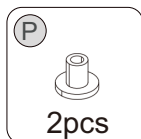
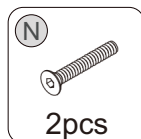
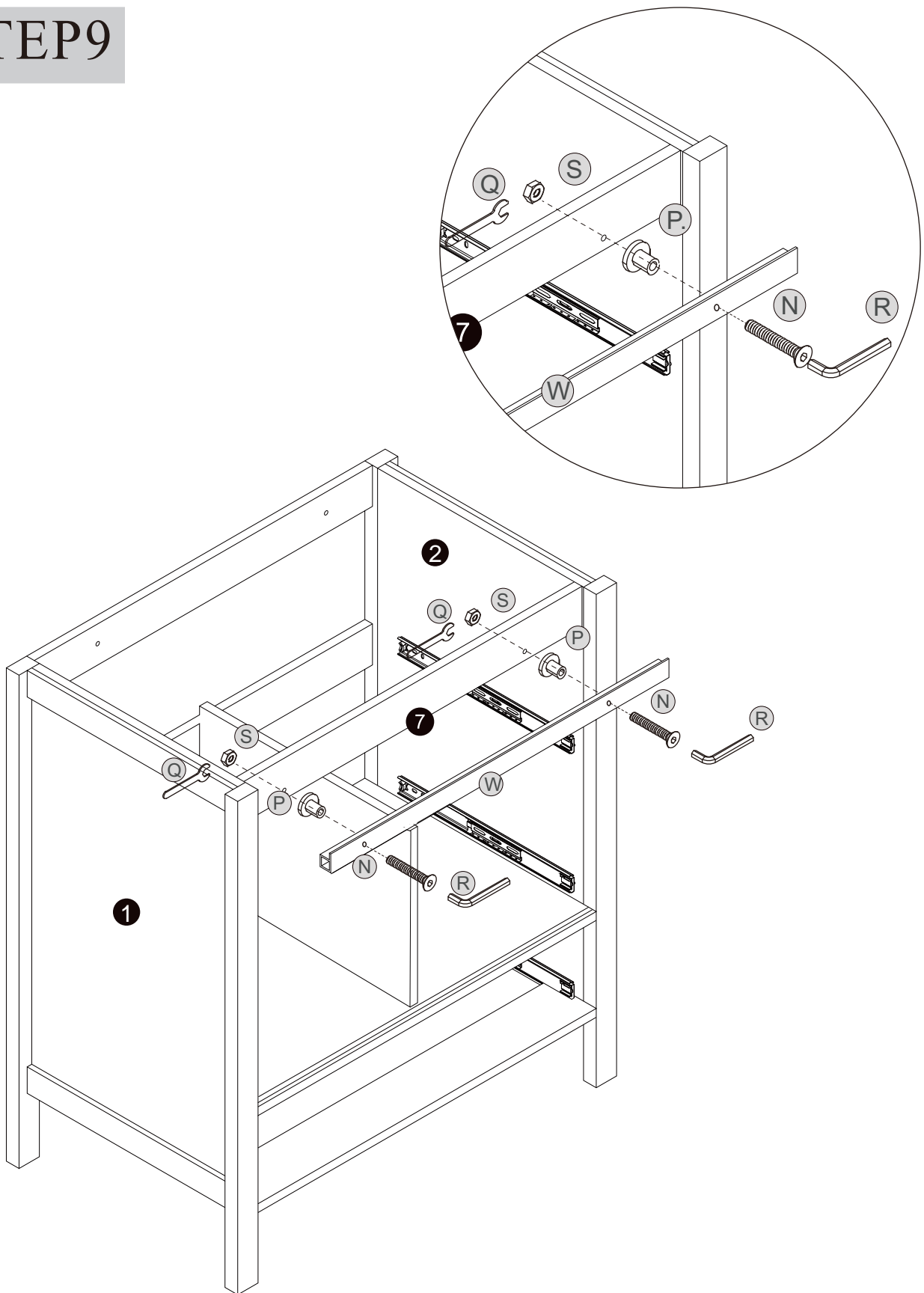
# STEP 7



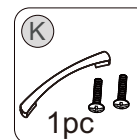
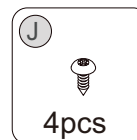
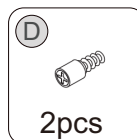
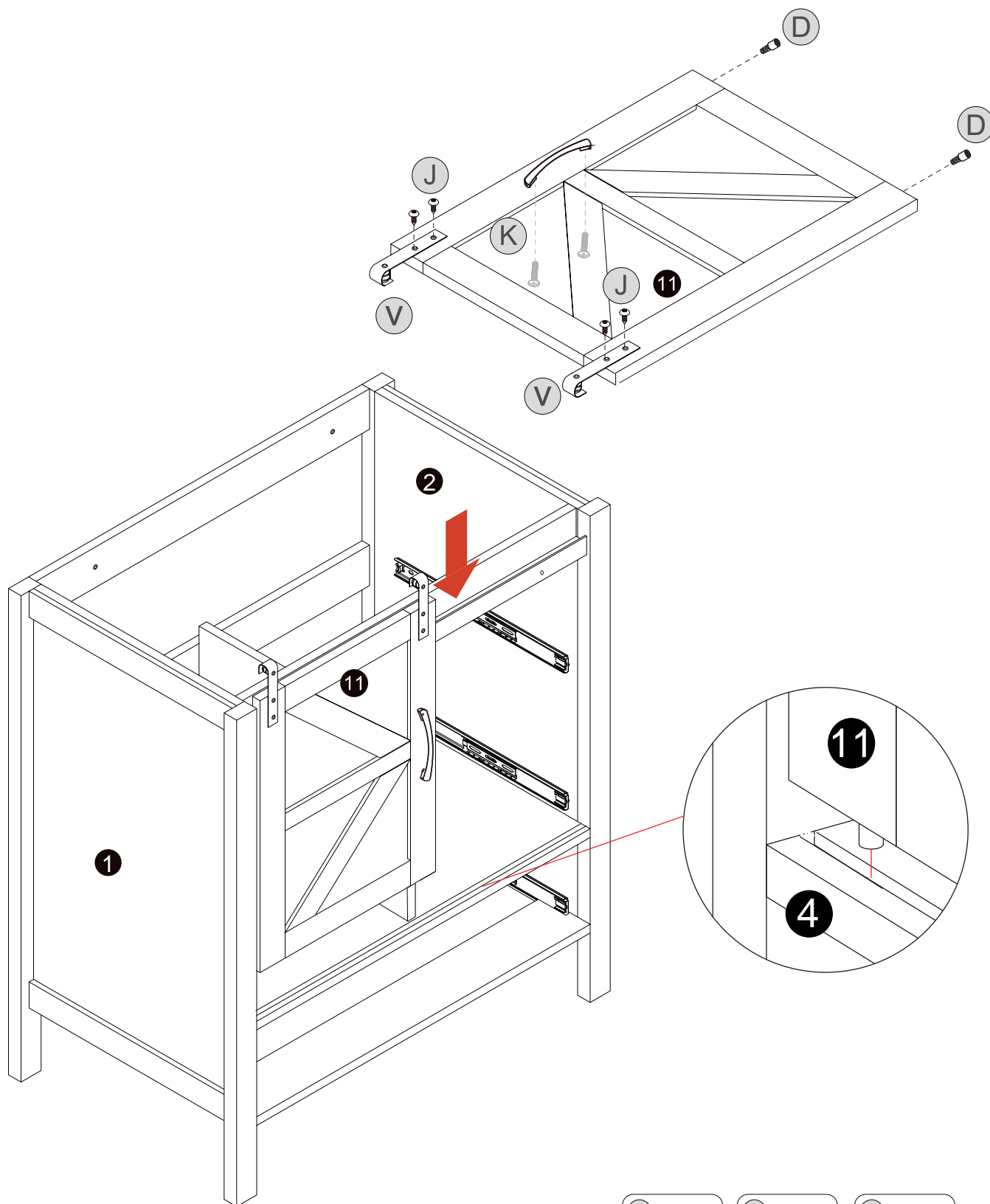
# STEP 8



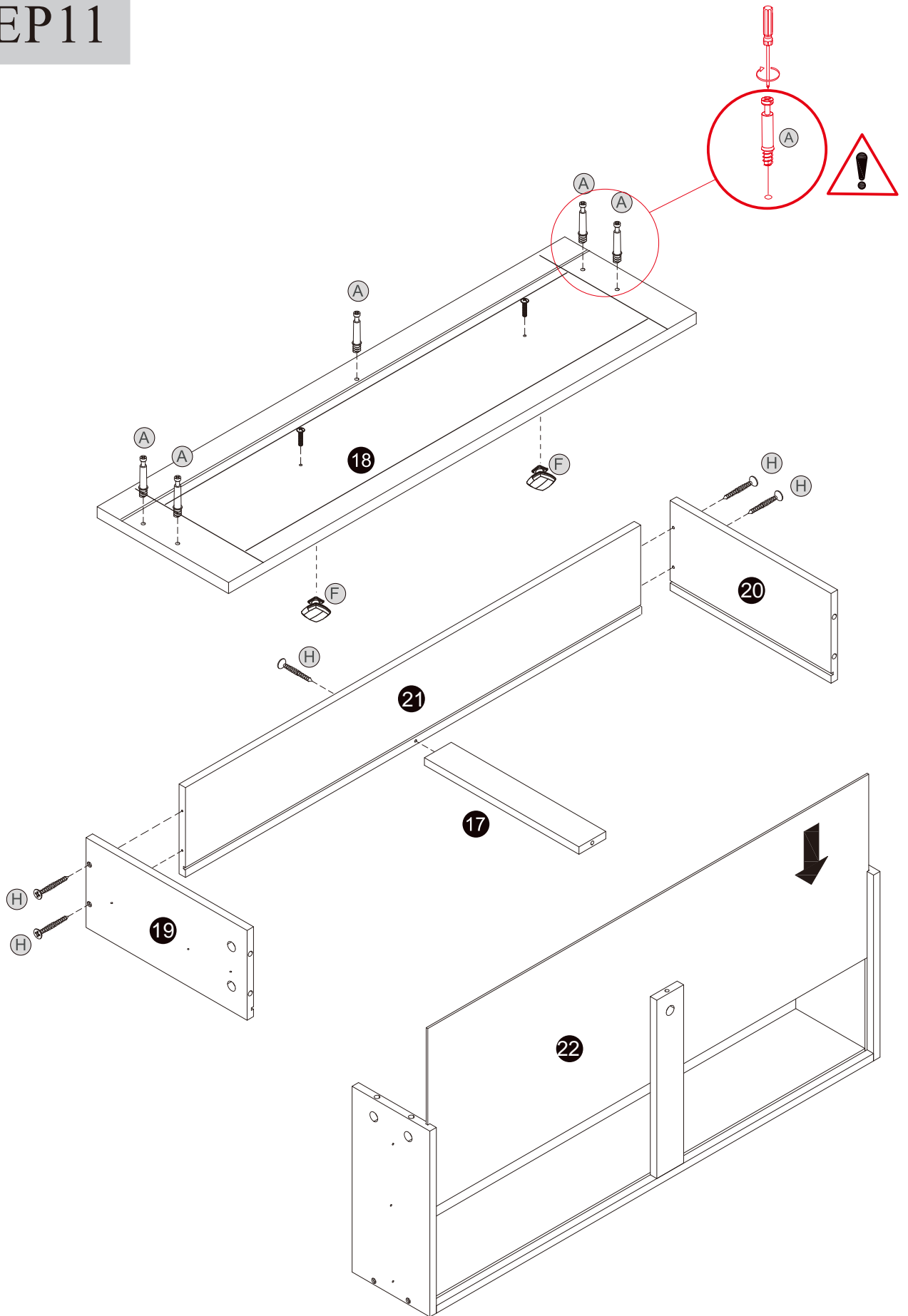
# STEP 9



# STEP 10

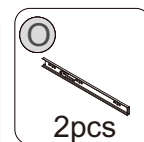
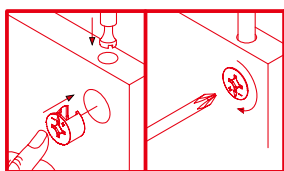
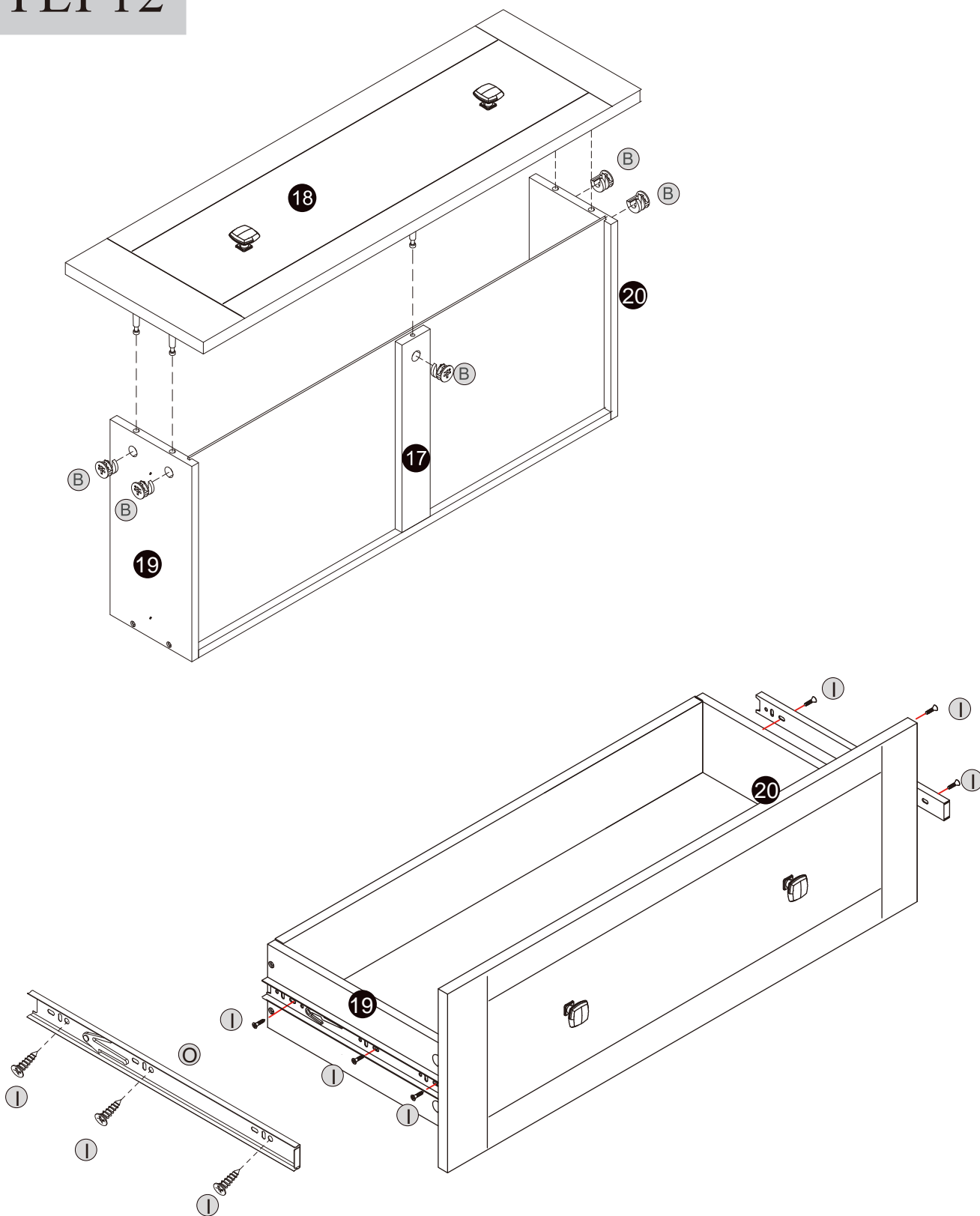


# STEP 11

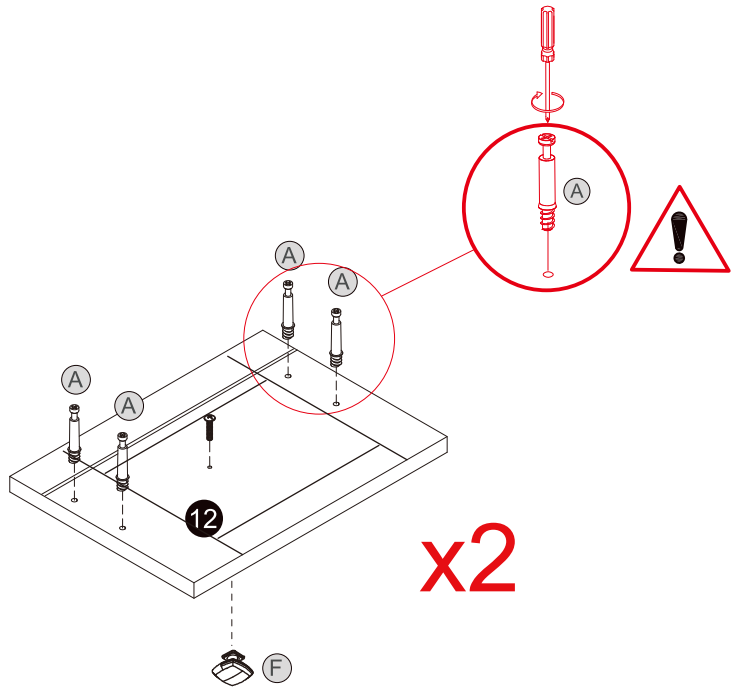


- |   |   |   |
|---|---|---|
| <b>A</b> M6x35mm<br><br>5pcs | <b>F</b> Ø4x18mm<br><br>2pcs | <b>H</b> Ø4x30mm<br><br>5pcs |
|---|---|---|

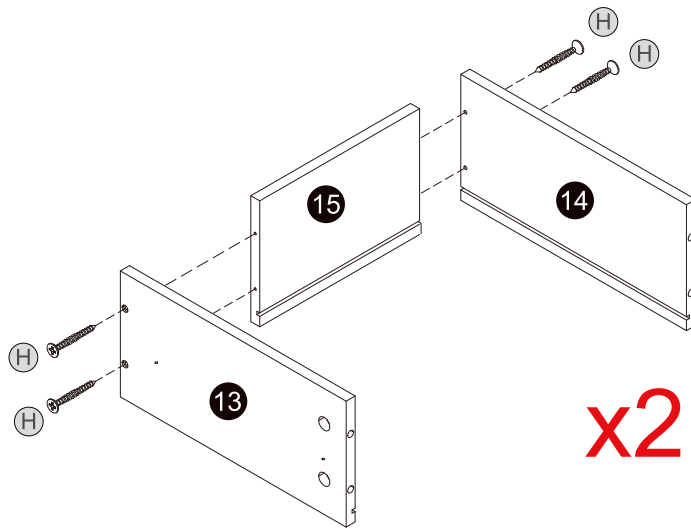
# STEP 12



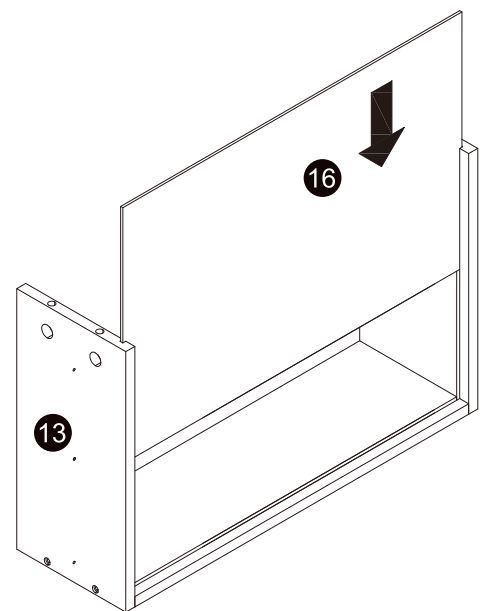
# STEP 13



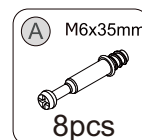
x2



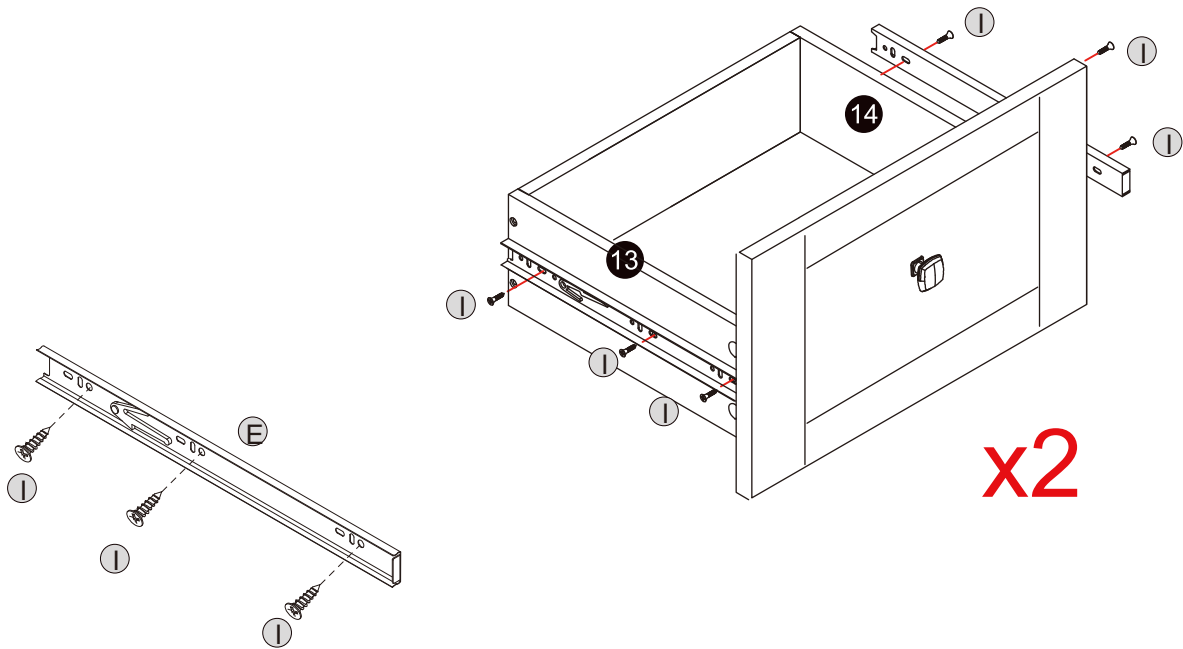
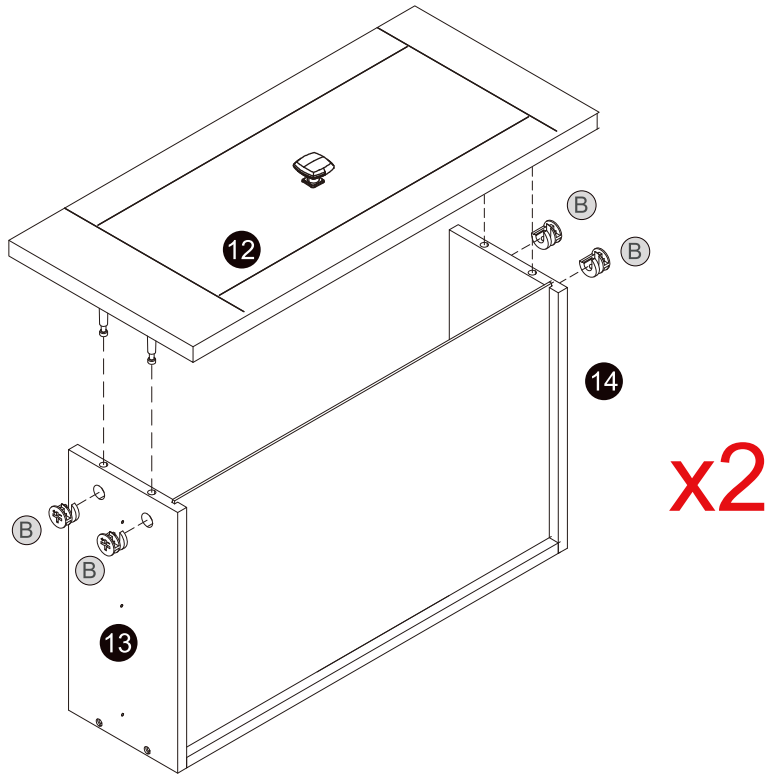
x2



x2

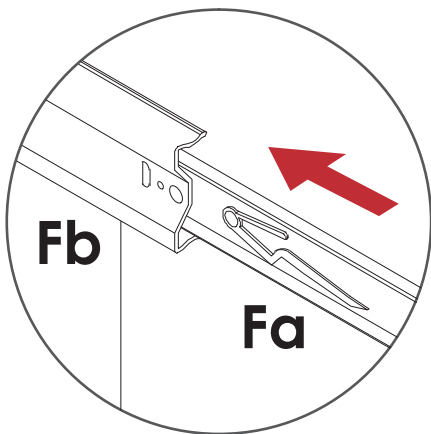
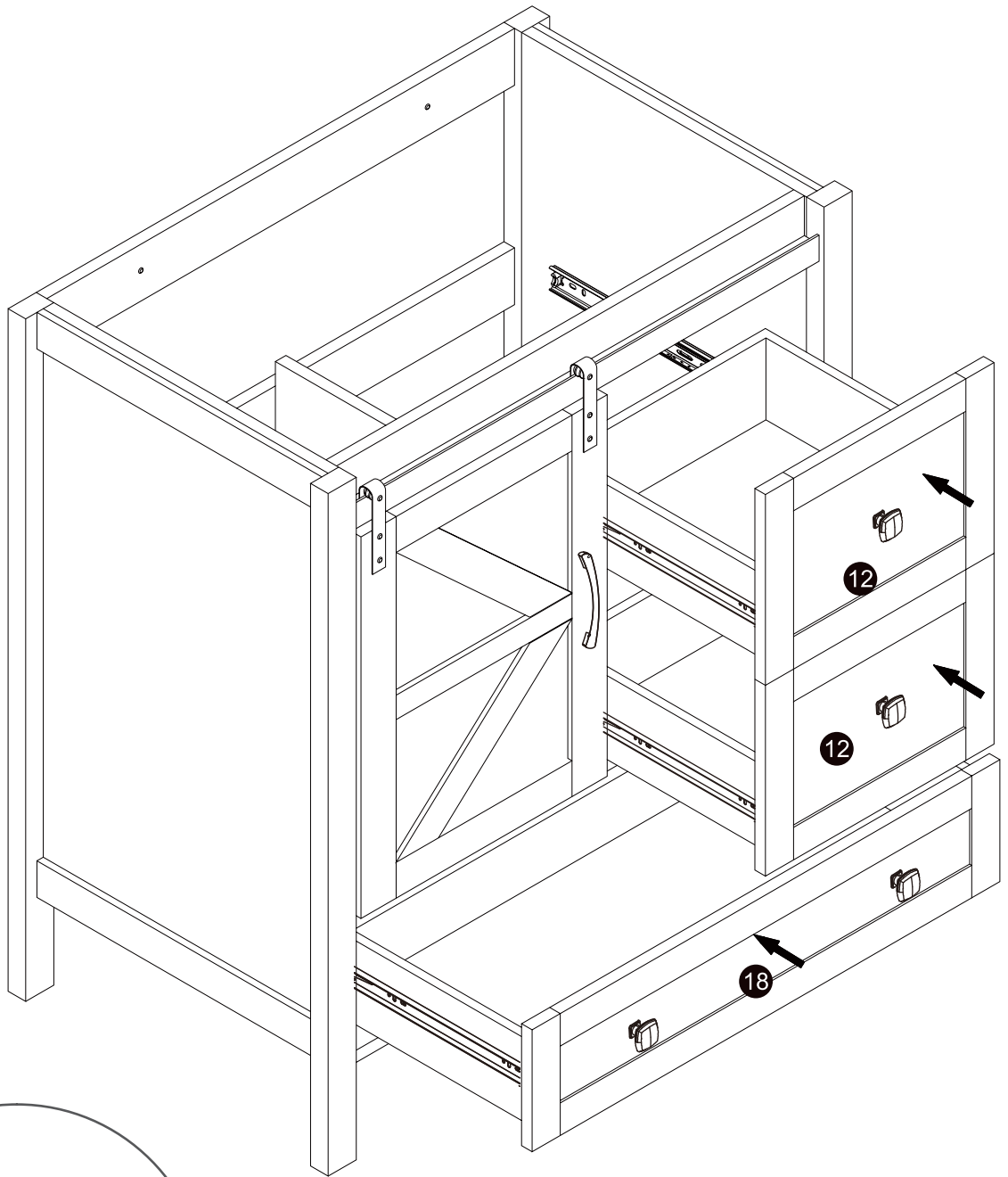


# STEP 14



 B Ø15x9.5mm 8pcs	 I Ø3x12mm 12pcs	 E 4pcs
--	---	--

# STEP 15



# STEP 16

