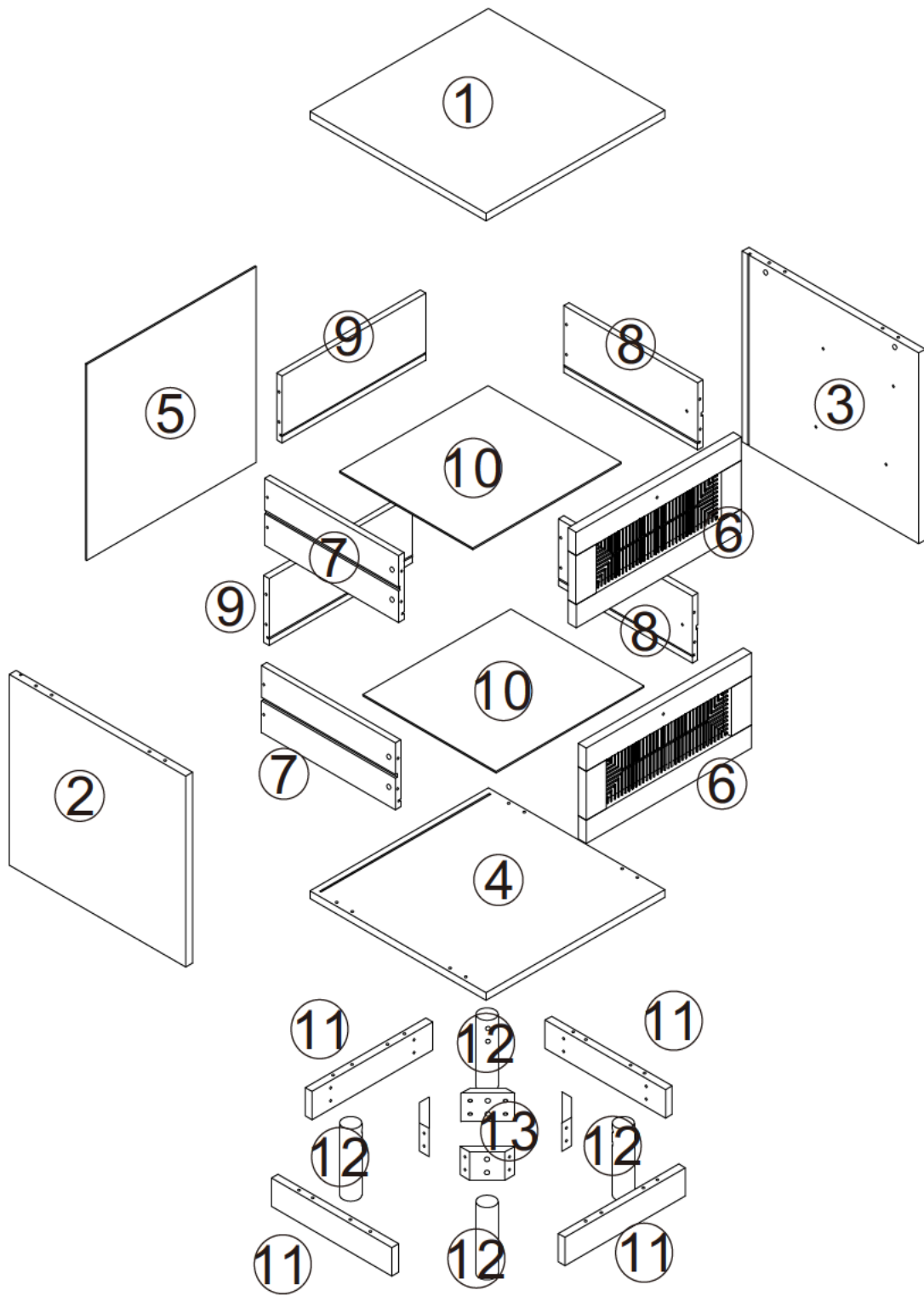















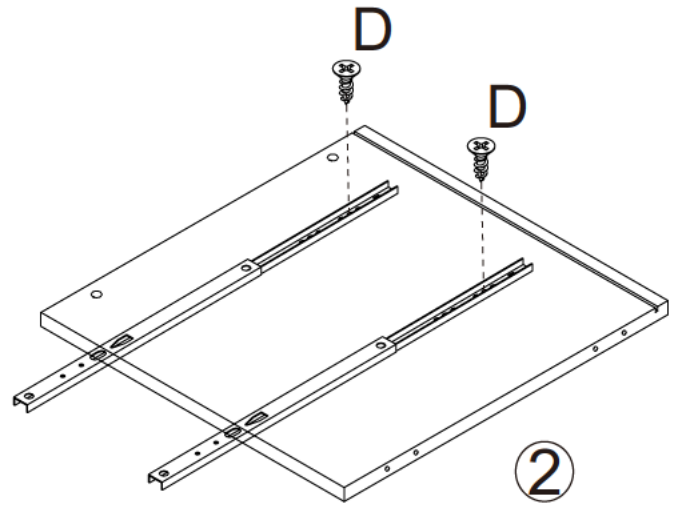
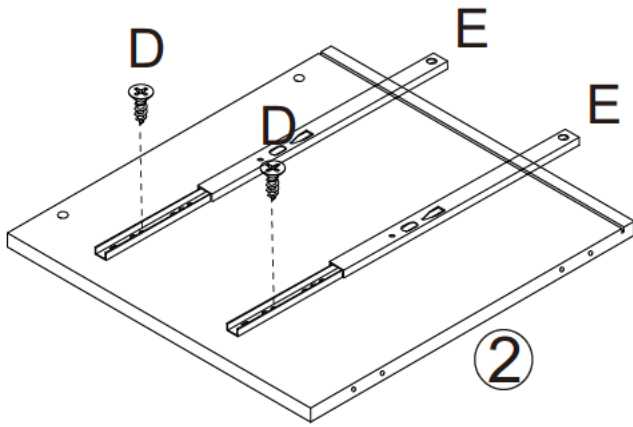
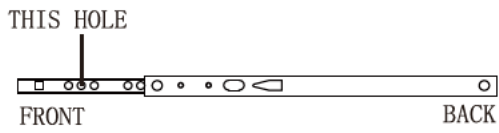


Cabinet



				
Ax12	Bx12	Cx16	Dx8	Ex4
				
Fx4	Gx8	Hx16	Ix8	Jx8
				
Kx8	Lx2	Mx2	Nx4	Ox4

1

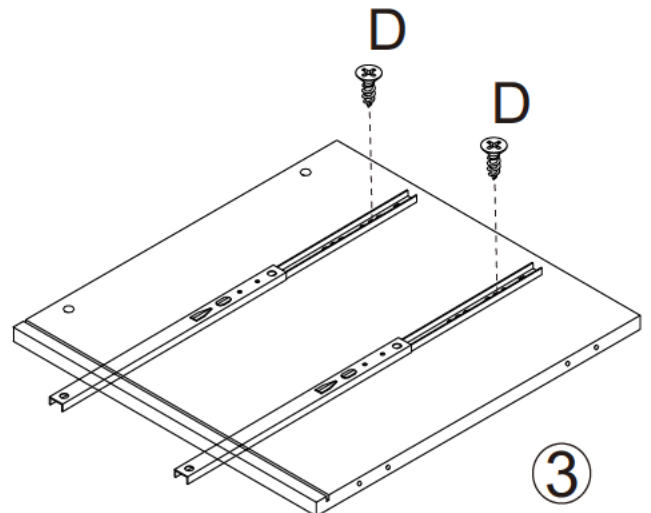
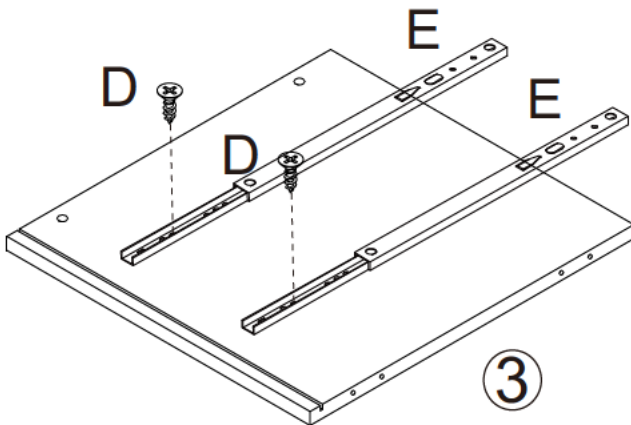
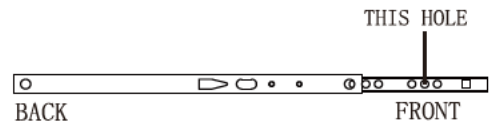
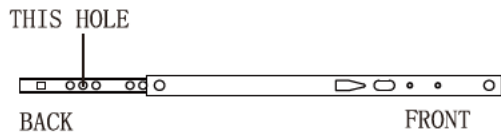


Dx4



Ex2

2

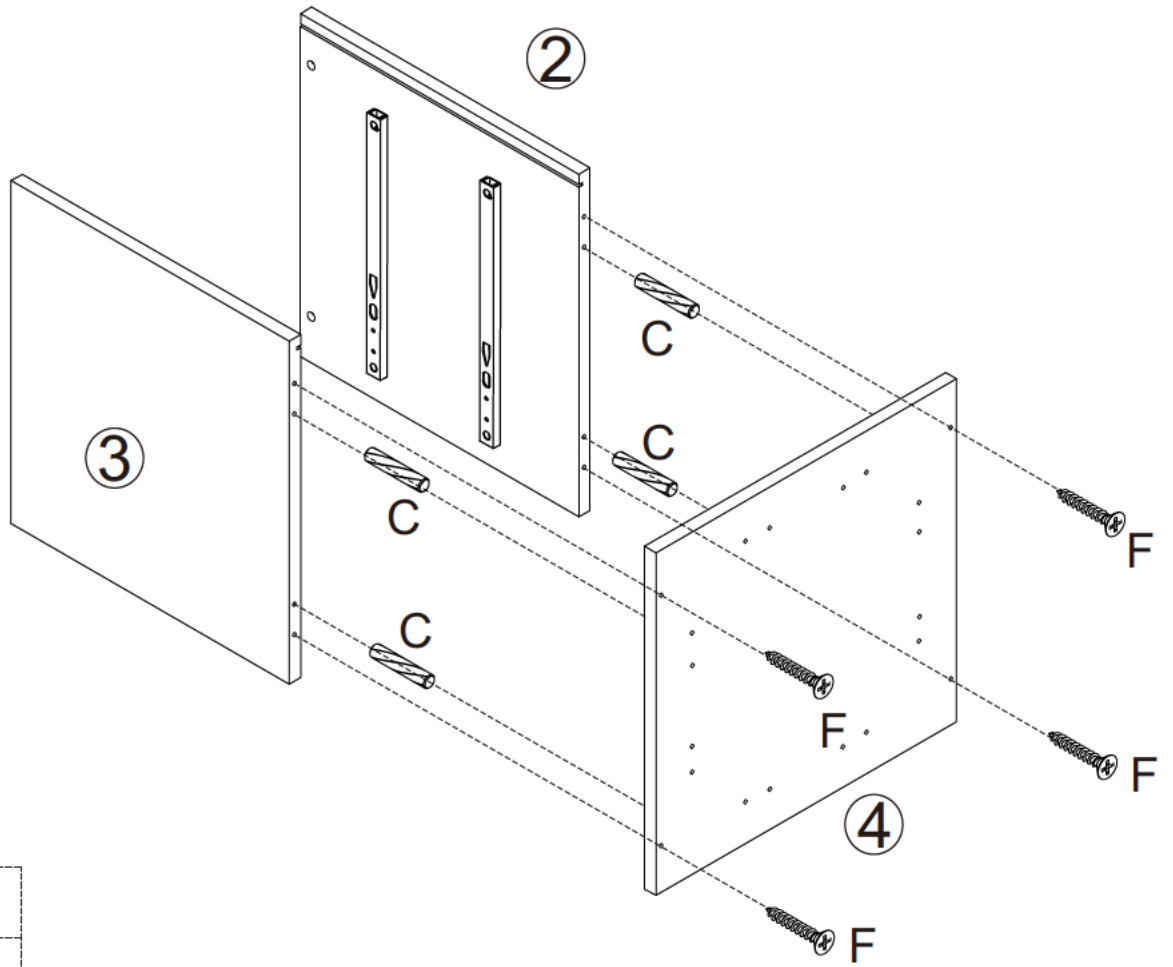


Dx4



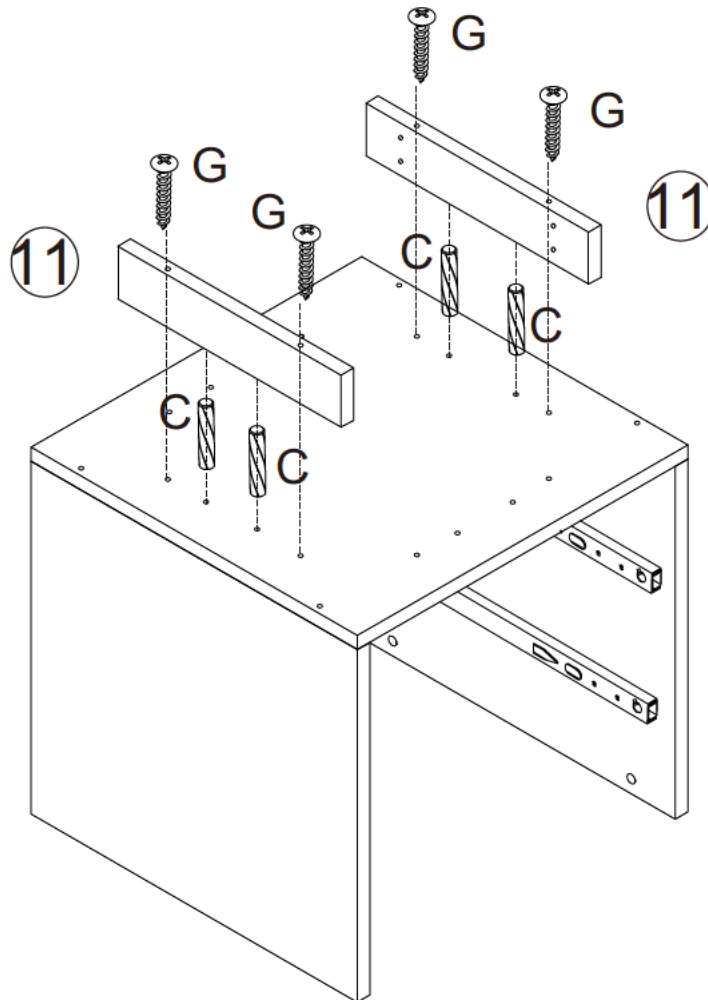
Ex2



3



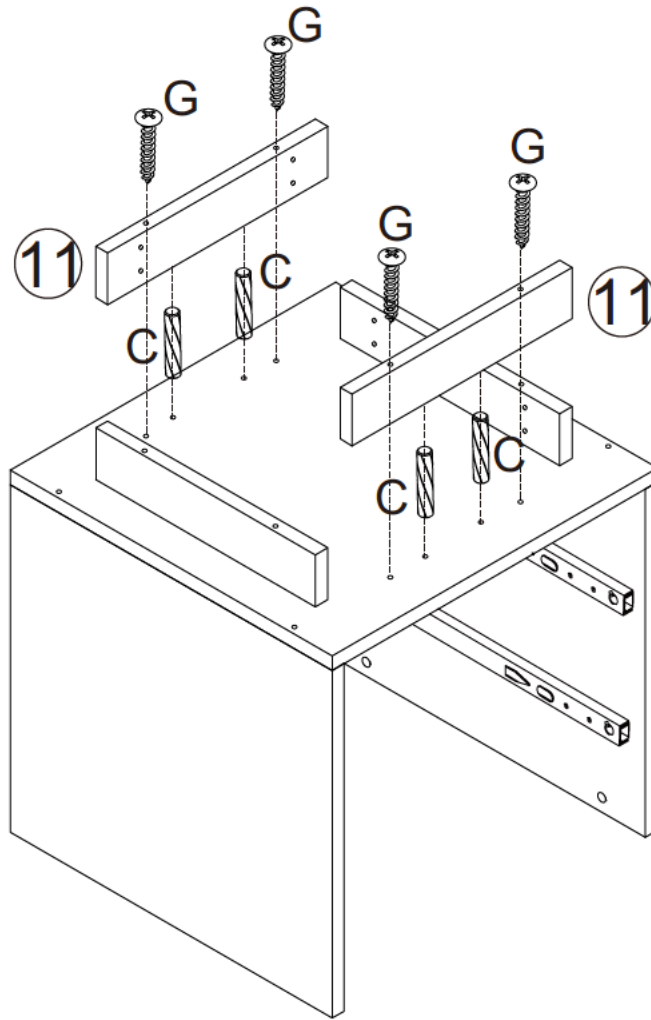
	Cx4
	Fx4

4

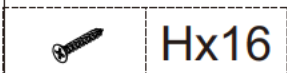
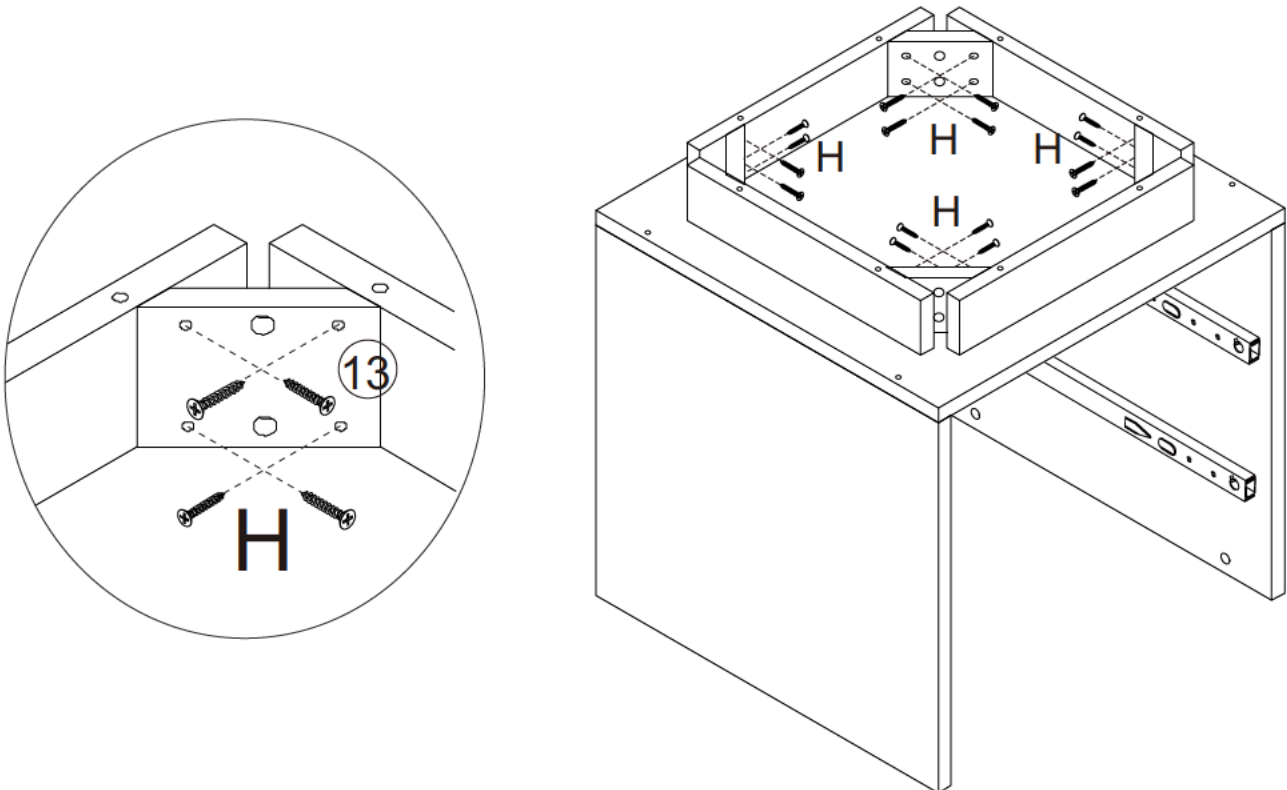


	Cx4
	Gx4

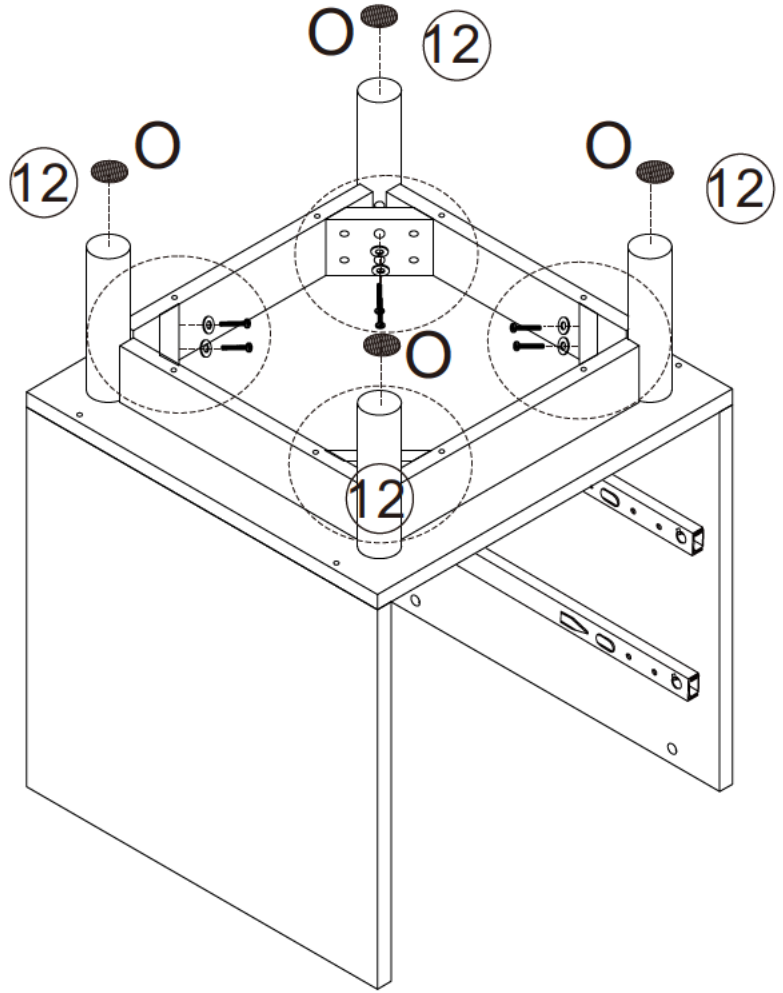
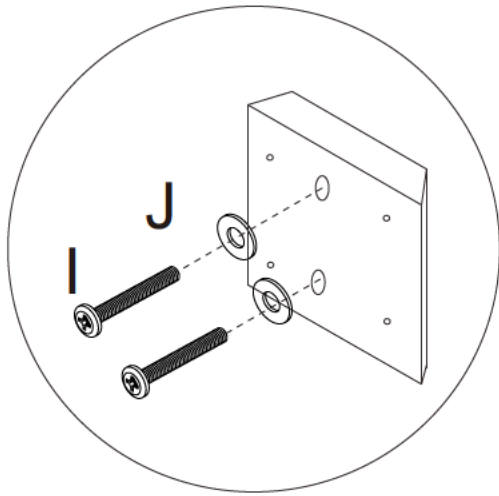
5






6

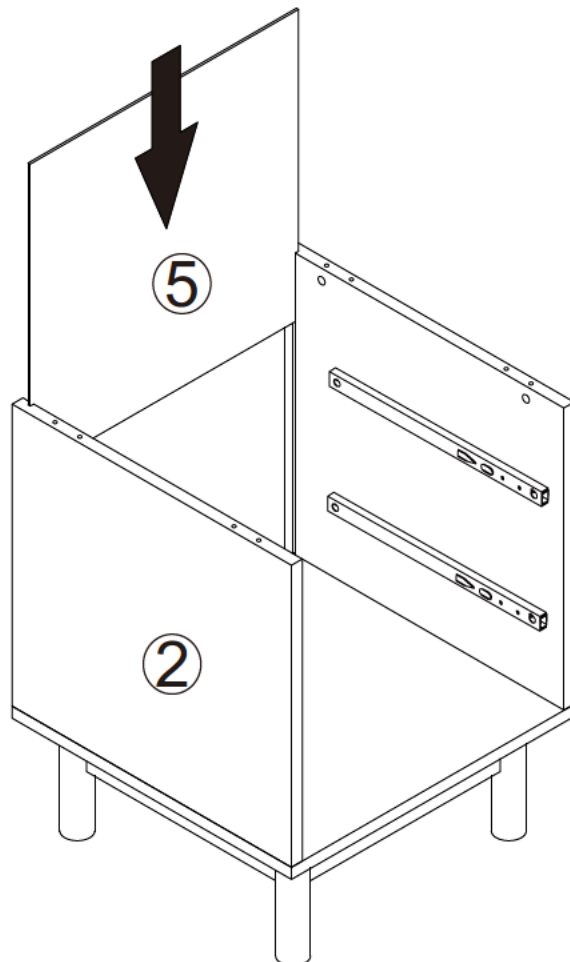


7

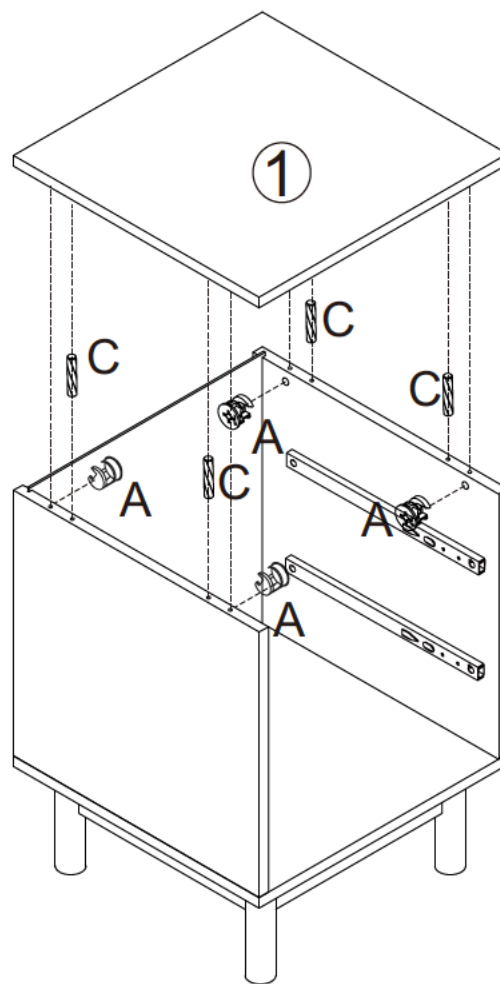
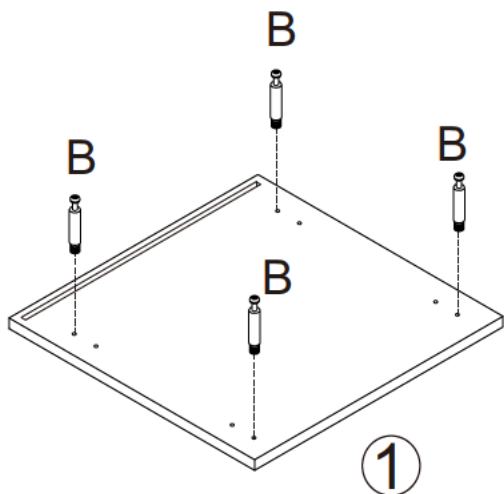





	Ix8
	Jx8
	Ox4

8

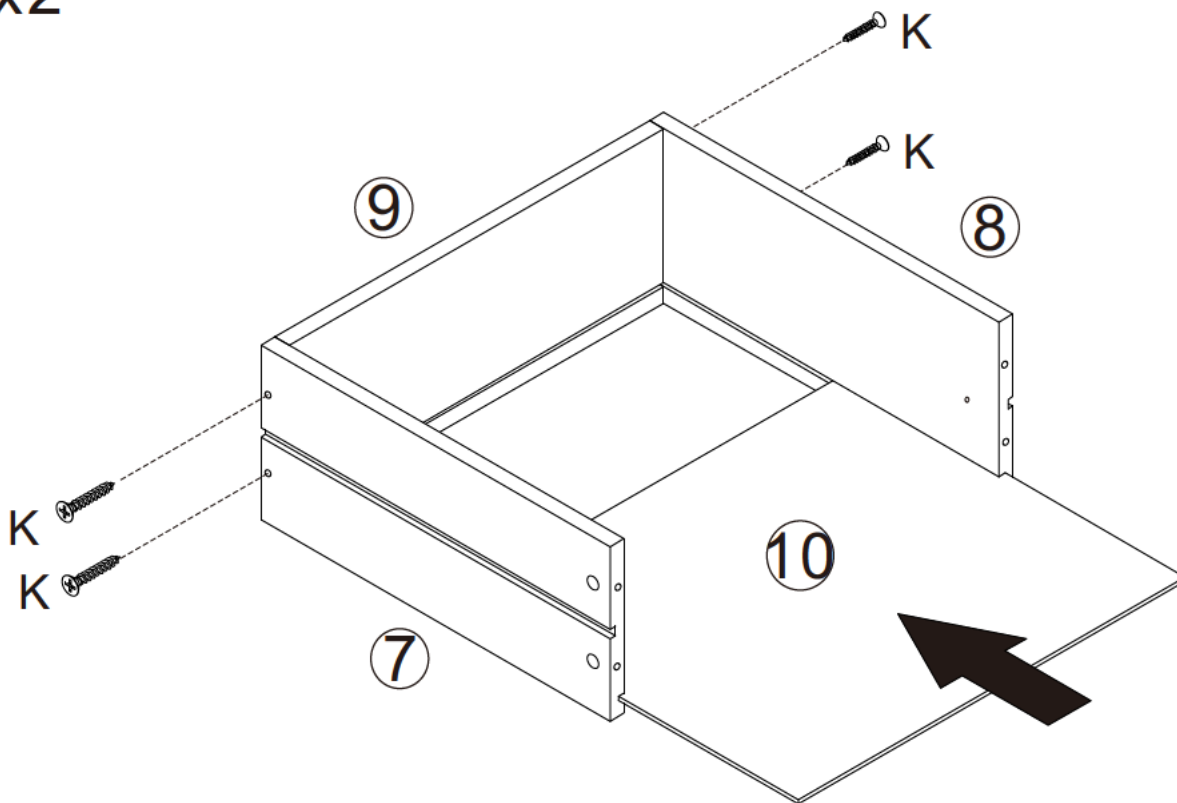



9



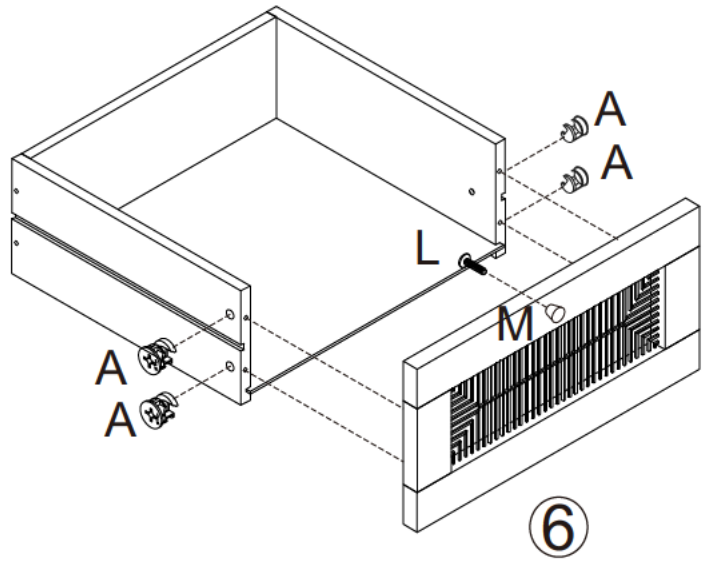
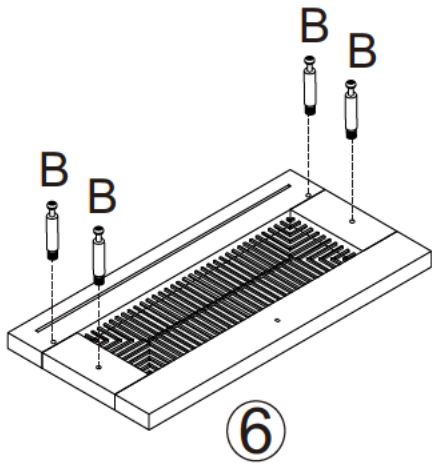
	Ax4
	Bx4
	Cx4





10 x2



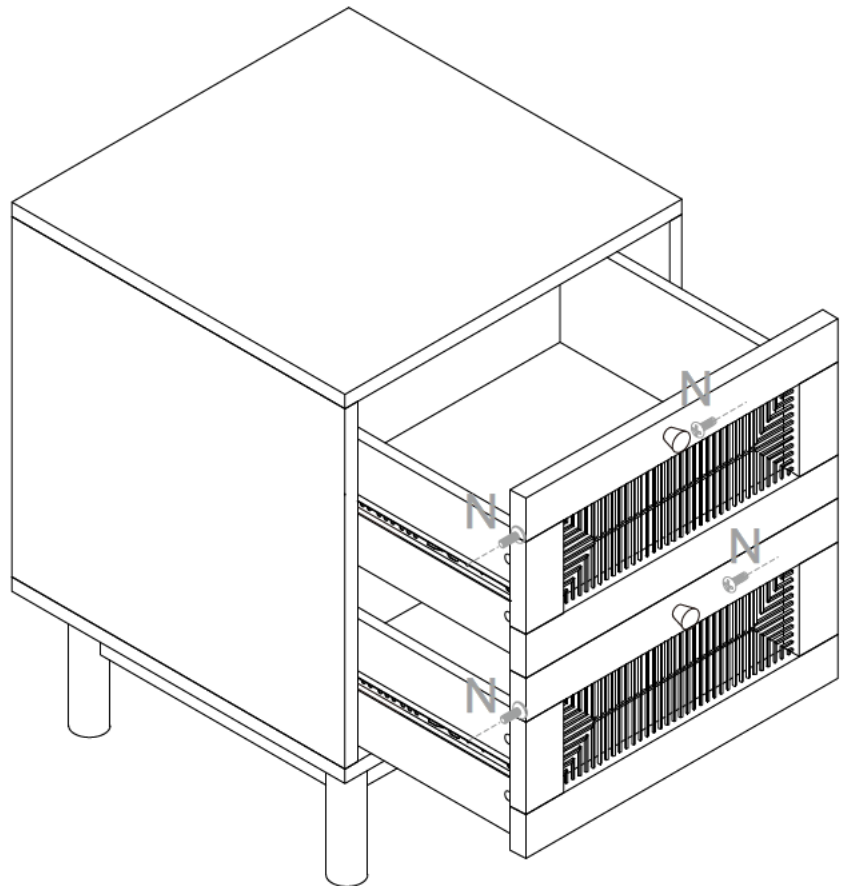
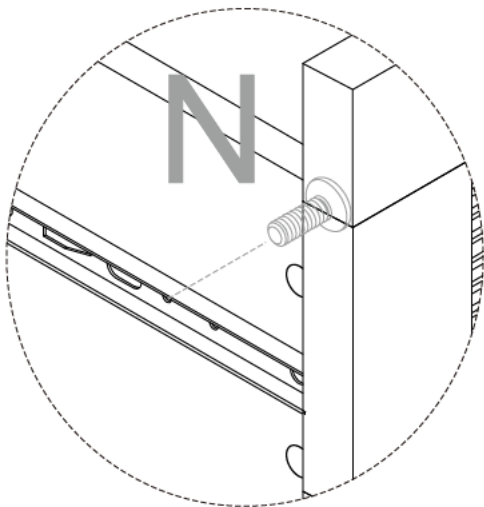
	Kx8
--	-----

11 x2



	Ax8		
	Bx8		
	Lx2		Mx2

12



	Nx4
--	-----