

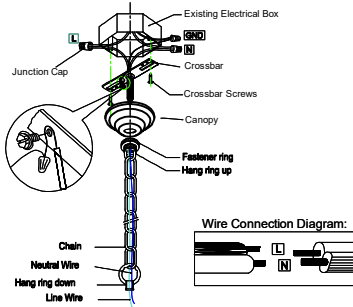
INSTALLATION INSTRUCTIONS

IMPORTANT SAFETY INSTRUCTIONS:

1. Please read through all the instructions carefully and completely before beginning assembly and installation.
2. This product must be installed in accordance with installation instructions and all safety and building codes. It is strongly suggested that all direct wired fixtures be installed by a licensed electrician.
3. Be sure the electricity to the wires you are working on is shut off, either the fuse is removed or the circuit breaker is turned off. Turning the power off using the light switch is not sufficient to prevent electrical shock.
4. To avoid the risk of fire, do not exceed the recommended wattage.
5. Keep away from children
6. The manufacturer and distributor accepts no liability for incorrect installation.
7. For indoor use only.

WARNING:

Improper installation may cause electrical shock, fire or equipment damage. The person performing the installation must be familiar with the construction and operation of the product and associated hazards.



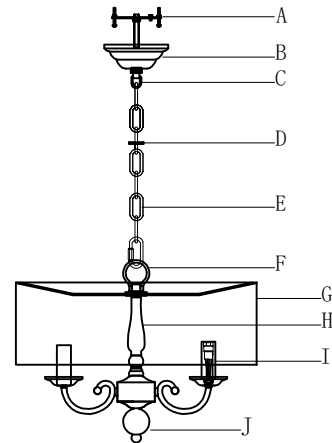
Please proceed in an alphabetical order:

Attach the crossbar to the existing electrical box, using the two crossbar screws, which are not supplied and should already be in your electrical box. Slide the fastener ring back up over the hang ring up, pass the hang ring up through canopy, connect with the threaded pipe under side of the crossbar.

Pass the main wire and ground wire through the hang ring down, the chain, the fastener ring, the canopy, the hang ring up and the crossbar until the end of the main wire reaches the electrical box, where you can make the appropriate connections. Be sure when connecting the wire, use electrician approved junction caps. Stow the excess wire in the electrical box. Raise the canopy and fastener ring, attach canopy to ceiling, slide fastener ring over hang ring up and hold the canopy.

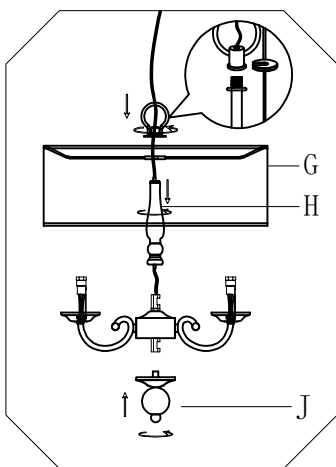
PART LIST AND ASSEMBLY ILLUSTRATION

Note : Some parts may be pre-installed or pre-assembled.

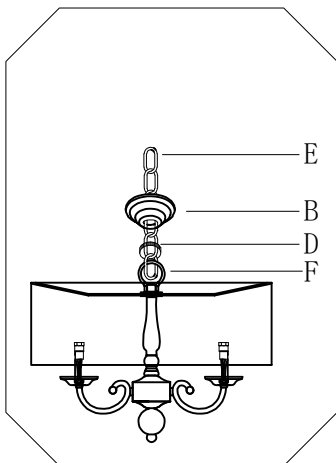


- A. MOUNTING BRACKET
- B. CANOPY
- C. HANG STRAIGHT UP
- D. HANG RING
- E. CHAIN
- F. HANG STRAIGHT DOWN
- G. SHADE

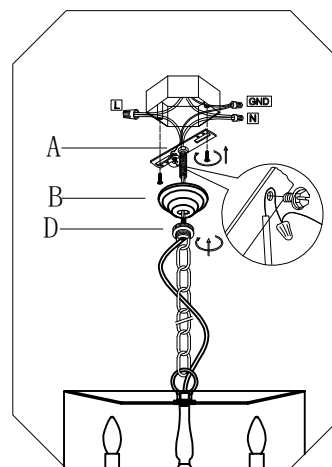
- H. MID POLE
- I. SOCKET COVER
- J. BOTTOM PART



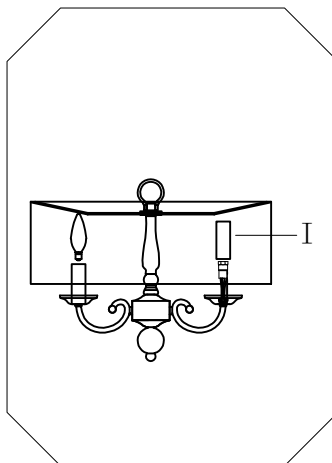
1. Fasten the Mid pole H to the lamp body, fasten the Bottom part J to the lamp body, attach the Shade G to the top of the Mid pole I, then fasten it by the Hang straight down F.



2. Open the quick link at one end of the Chain E, attach it to the Hang straight down F, let the cable go through the Chain E.
3. Release the Fastener ring D from the Hang ring up C.
4. Let the Fastener ring D and Canopy B go through the Chain E and cable.



5. Open the quick link at the the end of the Chain E. Hang it to the Hang ring up C. Let the main wire go through the Mounting bracket A.
6. Fasten the Mounting bracket A to the ceiling Junction box, connect the wire.
7. Position Canopy B over Mounting Bracket A, then lock the Canopy by Hang Ring D.



8. Put on the Socket Cover I and install the bulbs (E12 x 4, 60W Max).