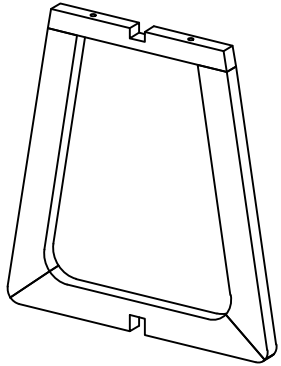
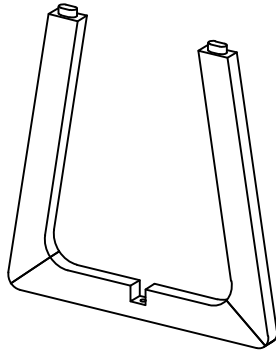


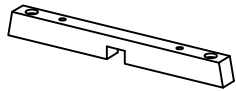
# ASSEMBLY INSTRUCTIONS



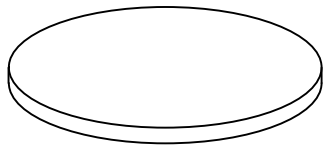
Ⓐx1



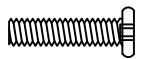
Ⓑx1



Ⓒx1



Ⓓx1



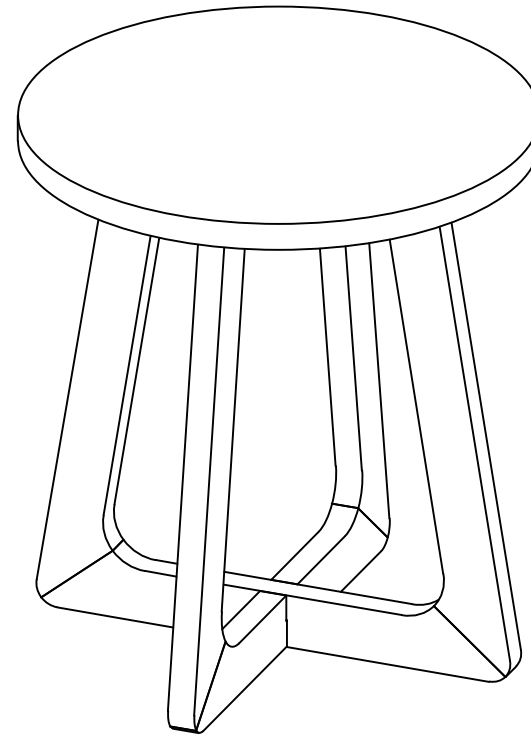
①x7

BOLT M6x35



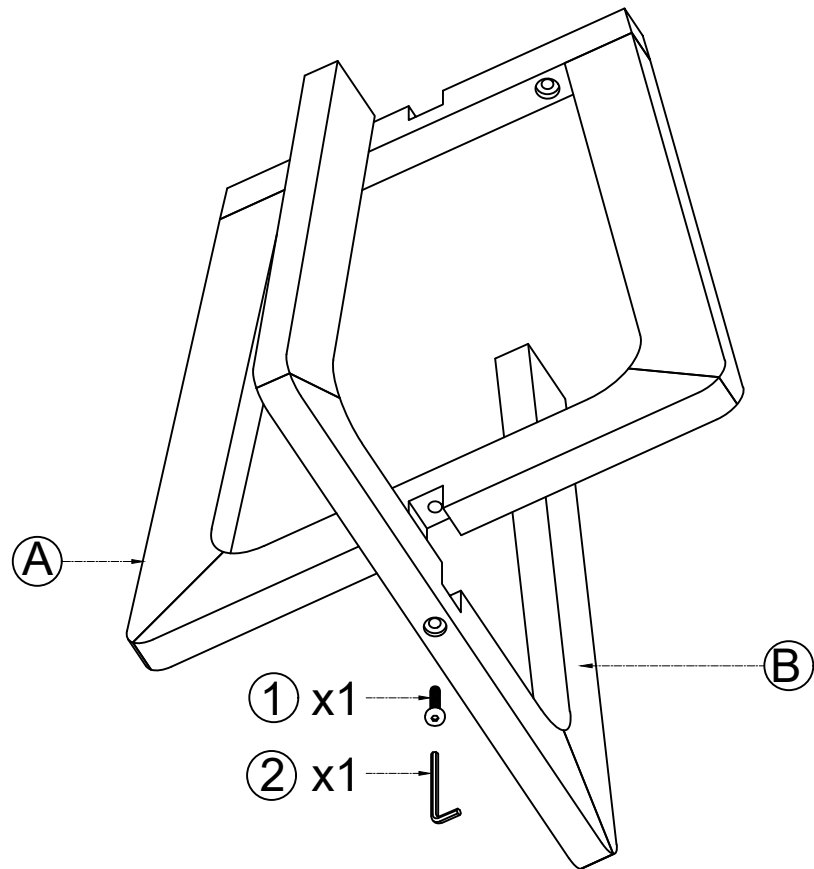
②x1

KEY K4

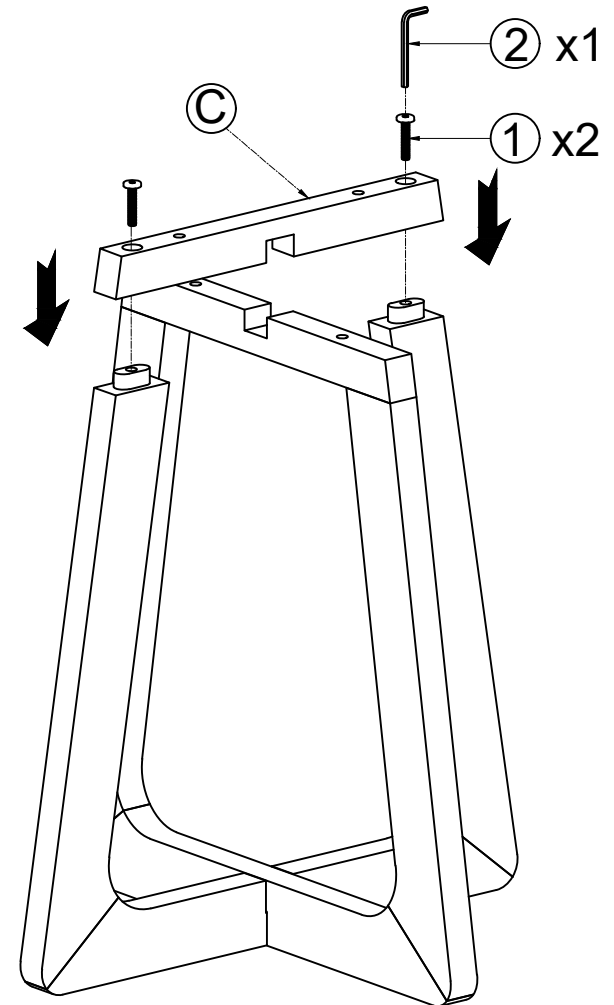


# ASSEMBLY INSTRUCTIONS

## Step 1

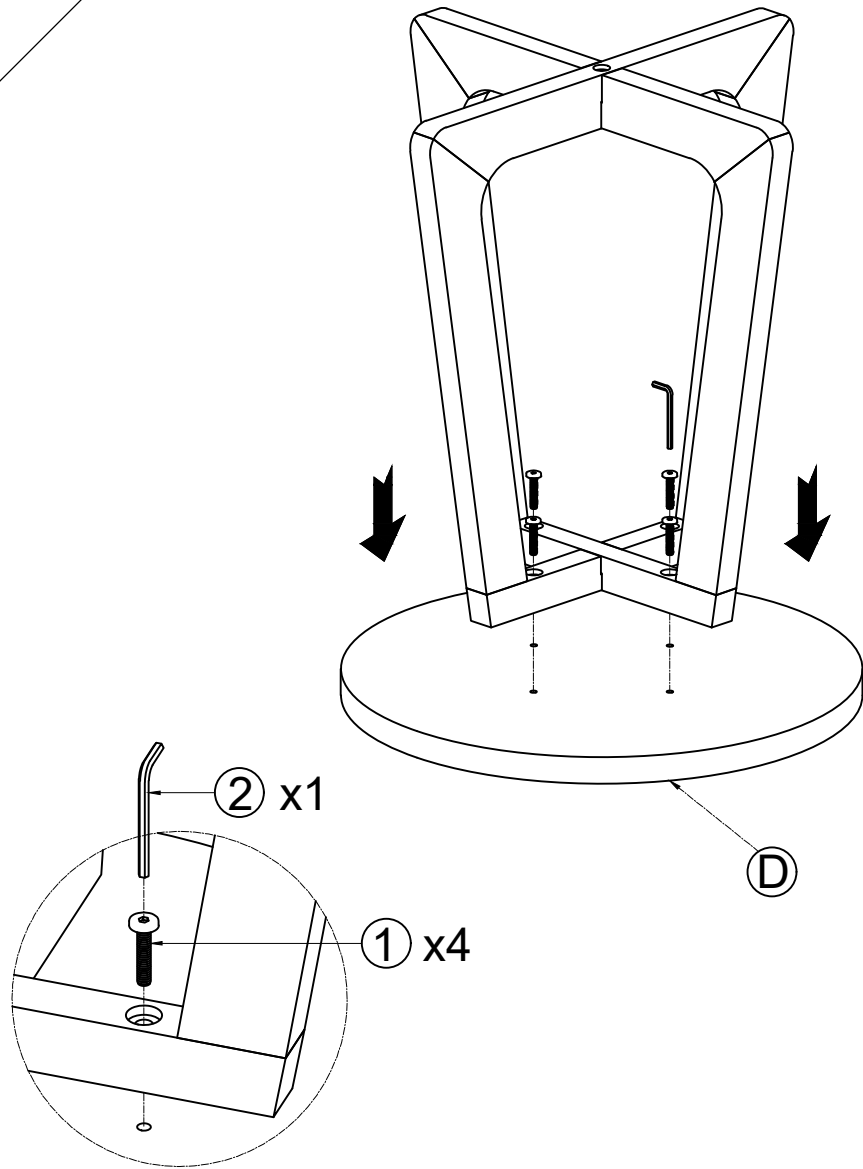


## Step 2



# ASSEMBLY INSTRUCTIONS

## Step 3



## Step 4

