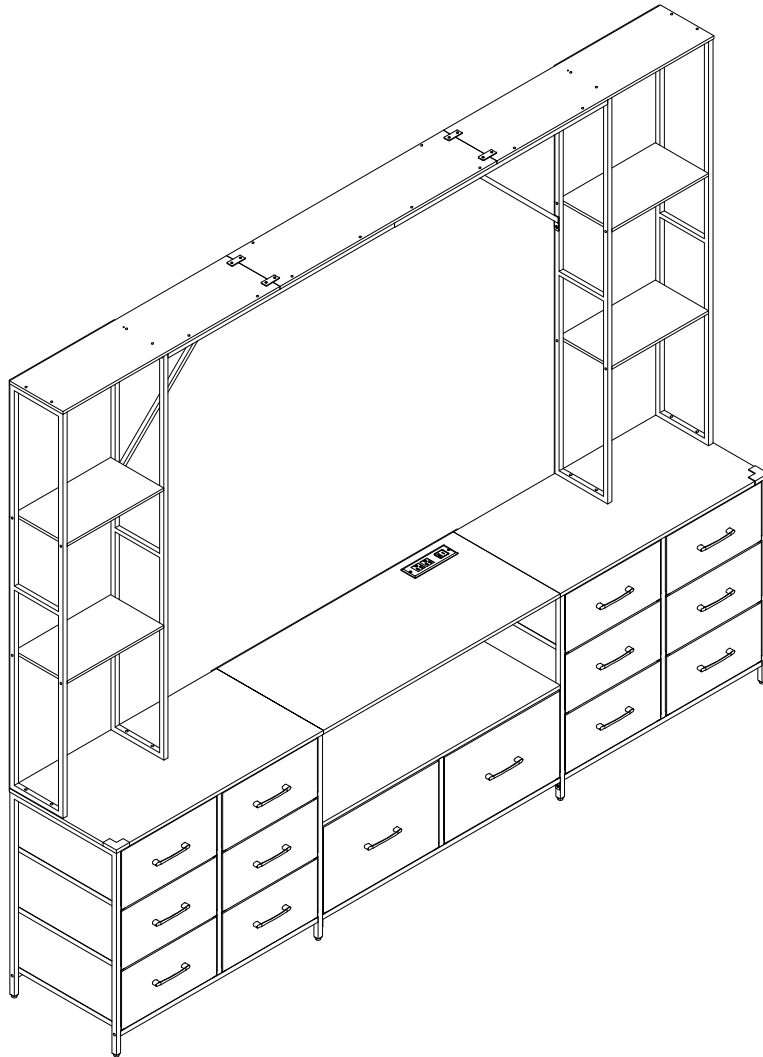


ASSEMBLY INSTRUCTIONS



⚠ SAFETY TIPS:

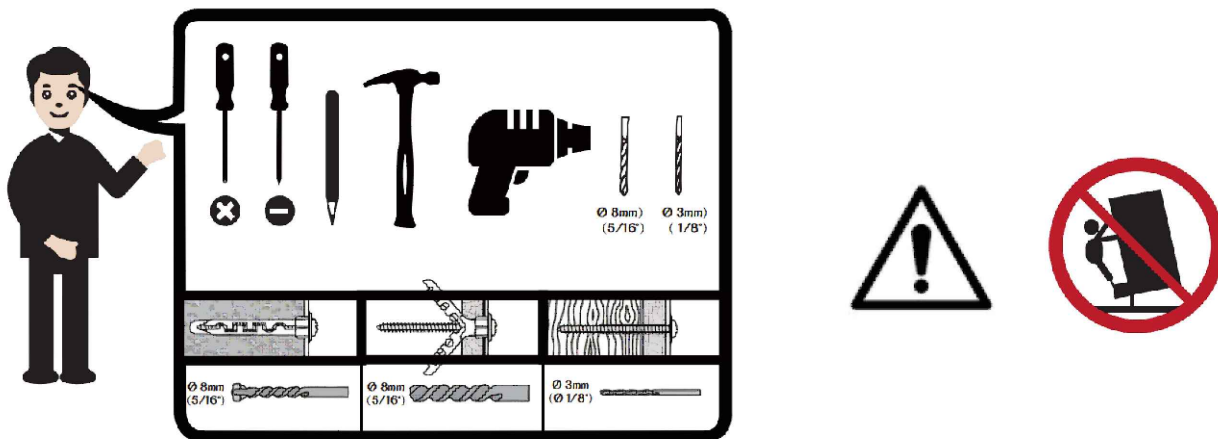
Static charge may cause dust on foam-clean with a dry or damp cloth. Small foam strands may be present-handle gently and dispose of properly. Do not burn or incinerate. Check local recycling guideline.

Have an assembly question or need a replacement part?
Please contact our customer service.

Warnings

Important reminder:

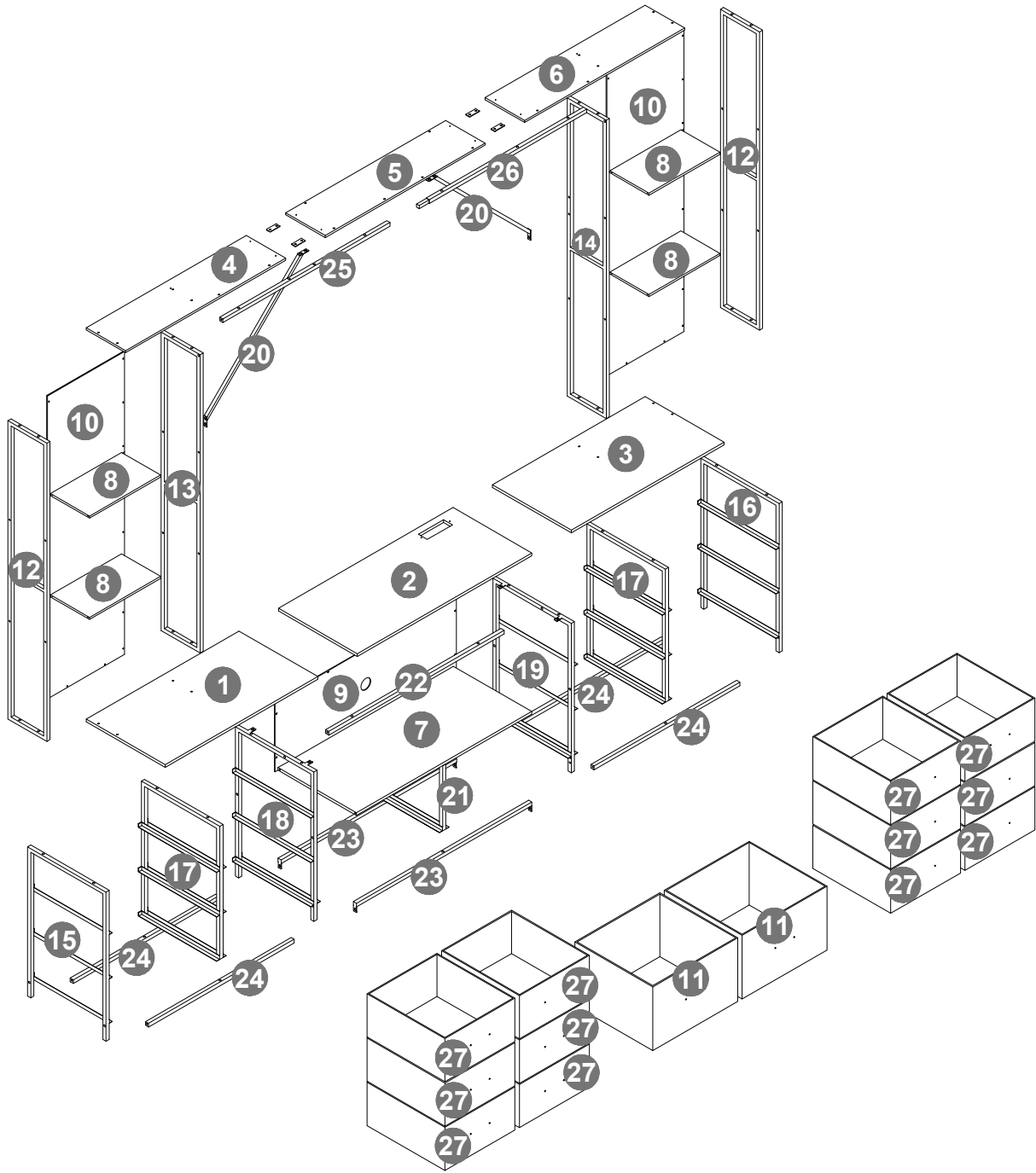
- ⚠ Please sort and check all accessories before assembly.
- ⚠ Place the product on an empty cardboard box or on carpet to prevent scratches.
- ⚠ Please use proper tools for assembly. Using an electric screwdriver can accelerate the assembly speed, but please do not overtighten the screws.
- ⚠ Please follow the assembly steps and do not skip any of them.
- ⚠ If possible, please find a partner to help you with assembly, which can accelerate assembly.
- ⚠ Keep all small parts of this product away from children. They may cause serious injury.
- ⚠ We hope you can retighten the screws 2 weeks after assembly, and check the tightening procedure of the screws every 3 months.
If you meet any difficulty, our friendly customer team are always ready to help you.



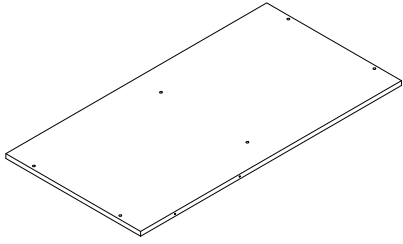
WARNING — Tip-Over / Crush Hazard

Furniture can tip over and cause serious crushing injuries. If an anti-tip kit is provided, install it after assembly and use it as instructed. Do not modify the structure of this product. Use only as intended and ensure all fasteners are fully tightened. The manufacturer is not responsible for damage or injury caused by unauthorized modifications or improper assembly.

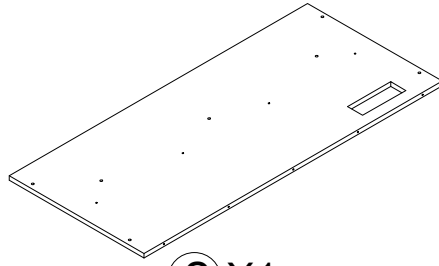
Explosion Diagram



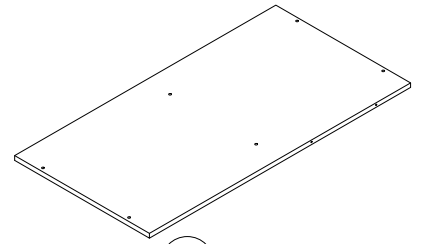
Parts List



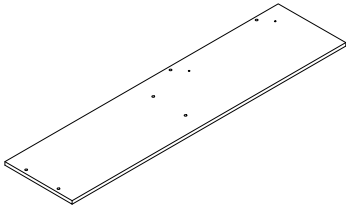
① X1



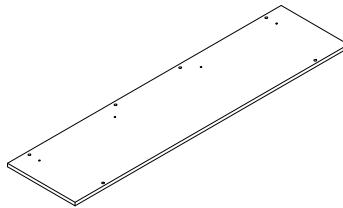
② X1



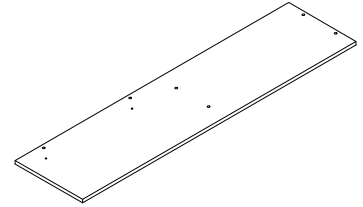
③ X1



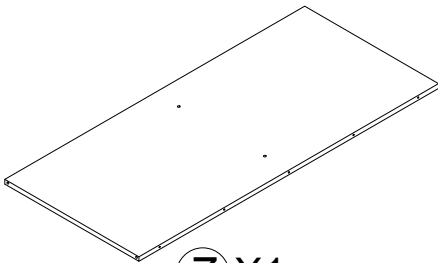
④ X1



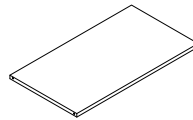
⑤ X1



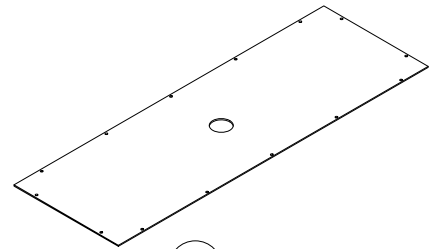
⑥ X1



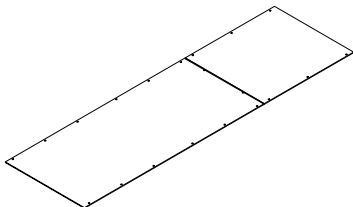
⑦ X1



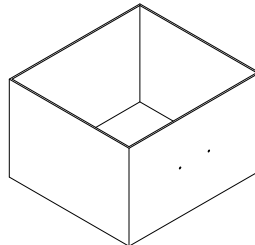
⑧ X4



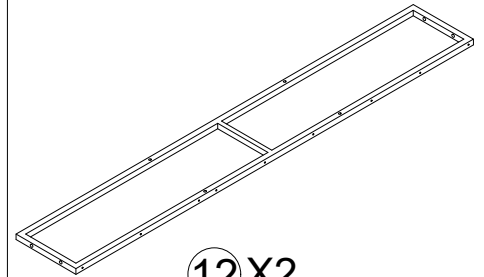
⑨ X1



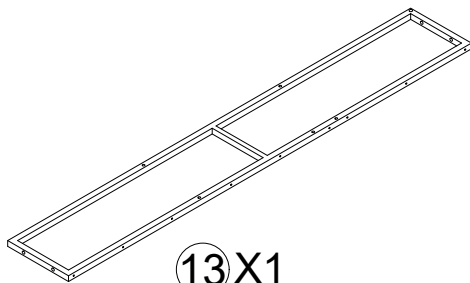
⑩ X2



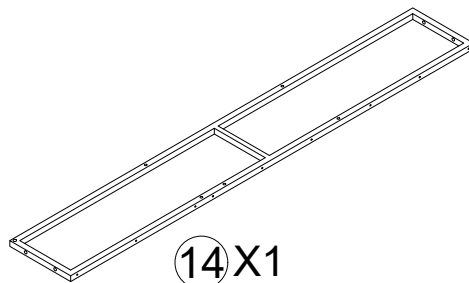
⑪ X2



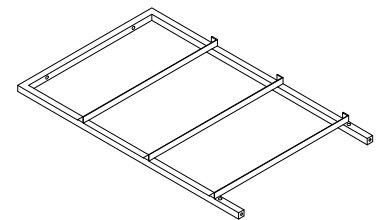
⑫ X2



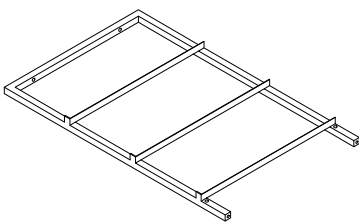
⑬ X1



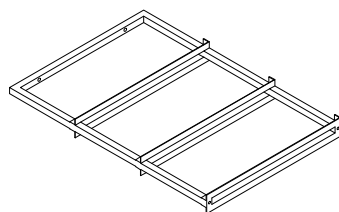
⑭ X1



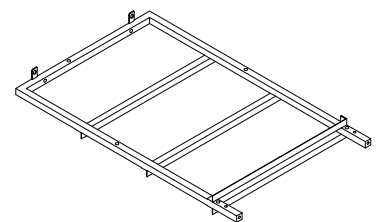
⑮ X1



⑯ X1

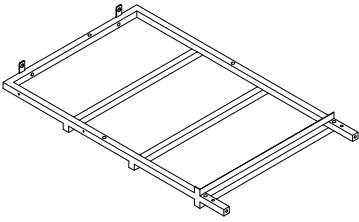


⑰ X2



⑱ X1

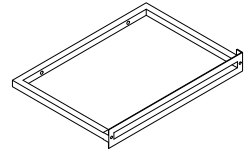
Parts List



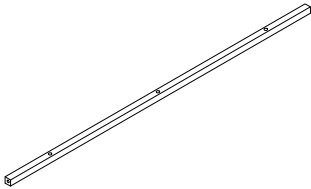
19X1



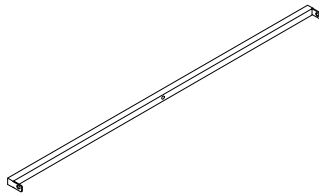
20X2



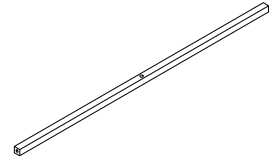
21X1



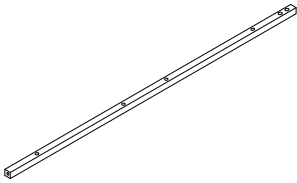
22X1



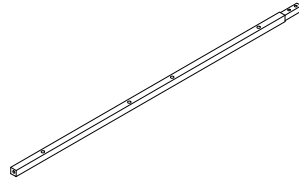
23X2



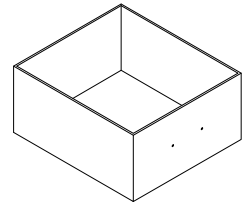
24X4



25X1


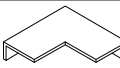

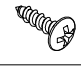
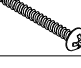
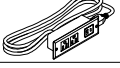




26X1

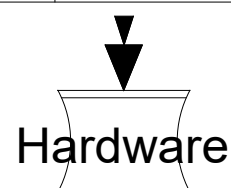


27X12

Hardware List

No.	Code	Diagram	Description	Quantity	Spare
1	B1		Ø3.5 x 10 mm	8	2
2	B2		Ø3.5 x 12 mm	2	1
3	B3		Ø3.5 x 14 mm	82	4
4	B4		Ø3.5 x 30 mm	16	2
5	B5		M6 x 23 mm	59	3
6	B6		M6 x 10 mm	14	2
7	B7		M6 x 50 mm	4	
8	C1		ø19xM6x15	8	1
9	C2			2	
10	C3			14	
11	C4		50x20x2	4	
12	D	D1	 73x25x15	2	
		D2	 Ø8x30	2	
		D3	 ST4*12	2	
		D4	 ST4*40	2	
13	PC			1	
14	LED			1	
15	T1			1	
16	T2			1	

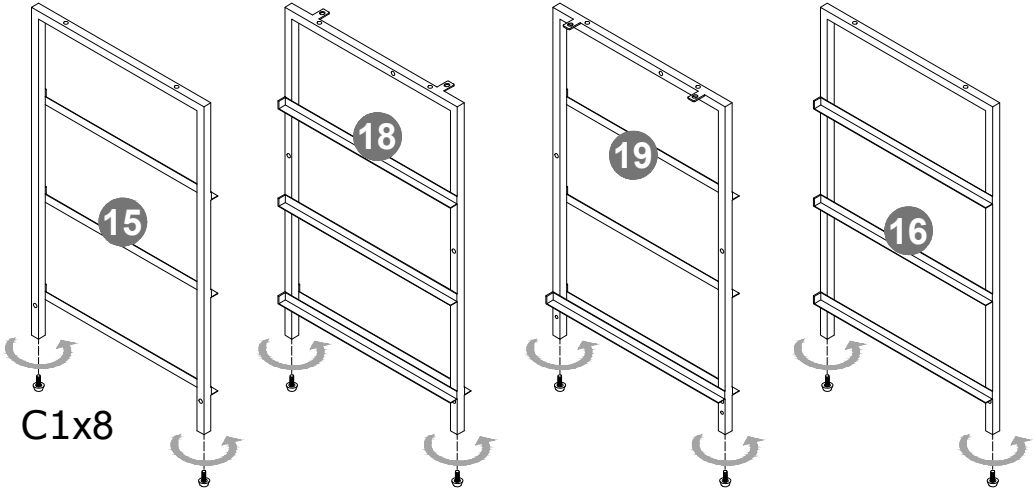
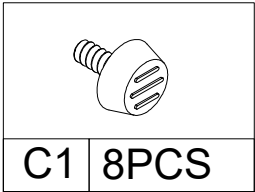
Spare parts are packed together in one package.



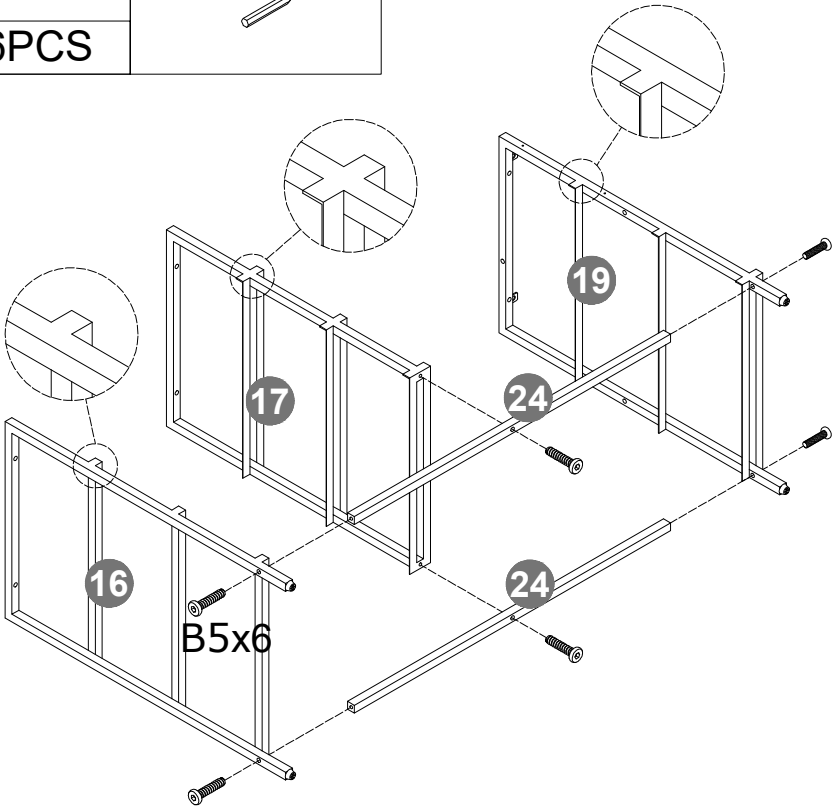
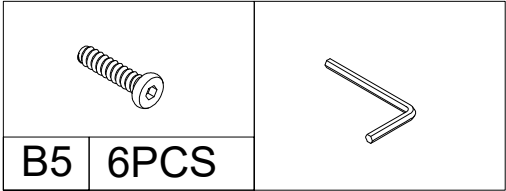
THE SPARE BAG INCLUDED EXTRA HARDWARE FOR DAMAGED OR MISSING SMALL HARDWARE WHILE YOU ARE ASSEMBLING

Assemble

Step 1


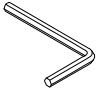


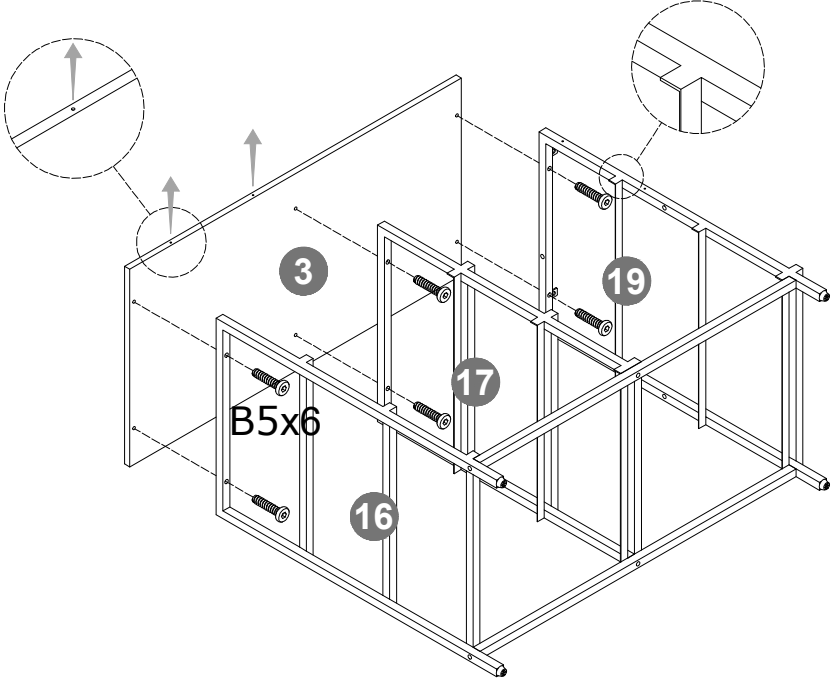
Step 2




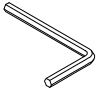
Assemble

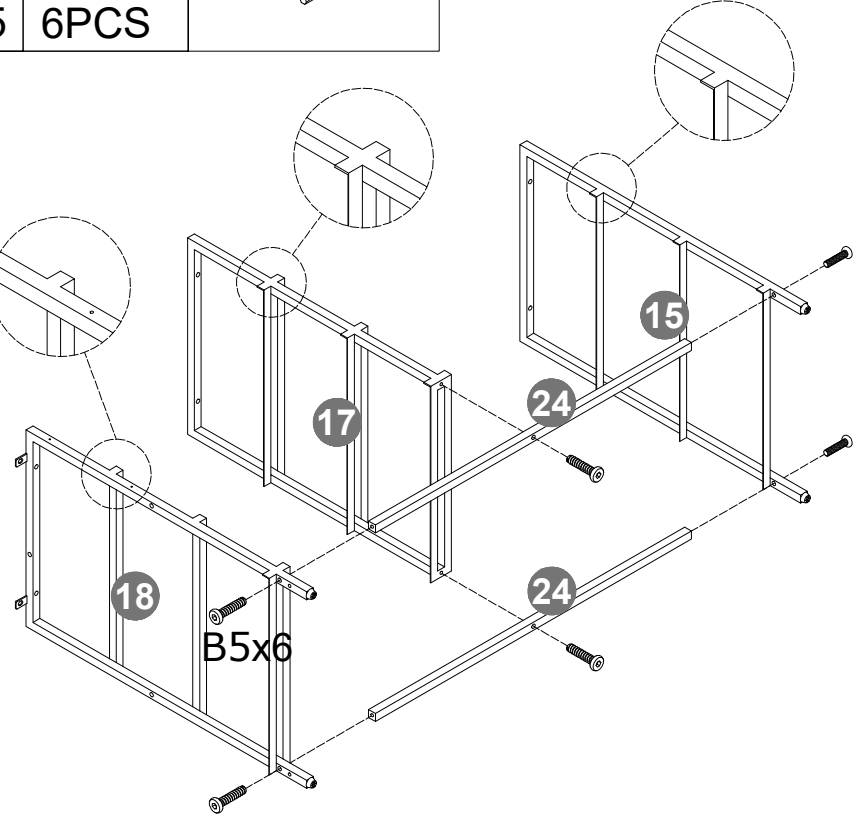
Step 3

	
B5	6PCS




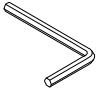
Step 4

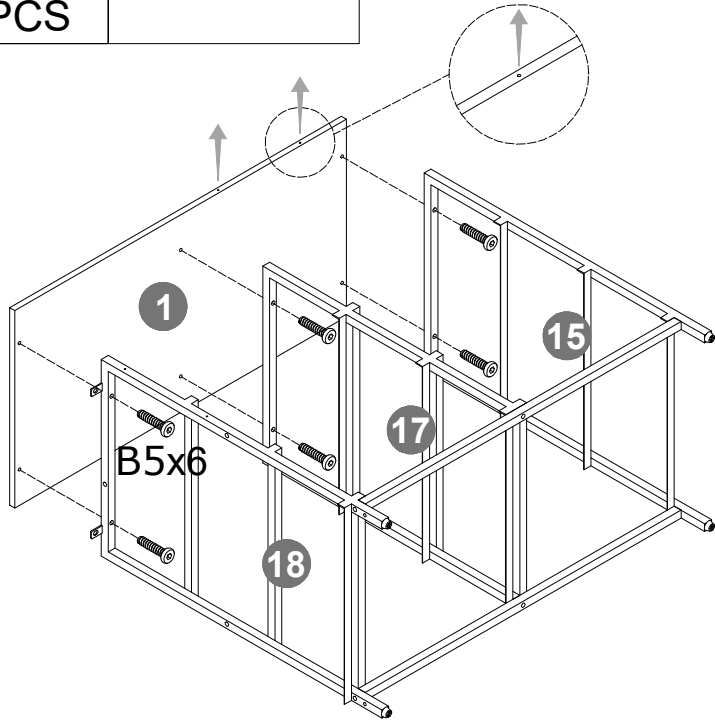
	
B5	6PCS




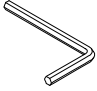
Assemble

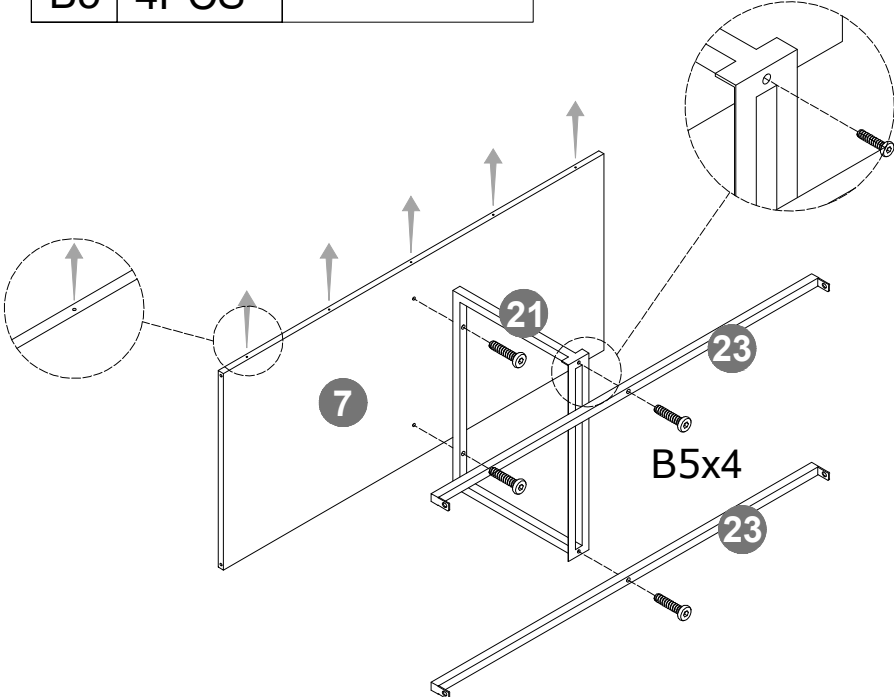
Step 5

	
B5	6PCS



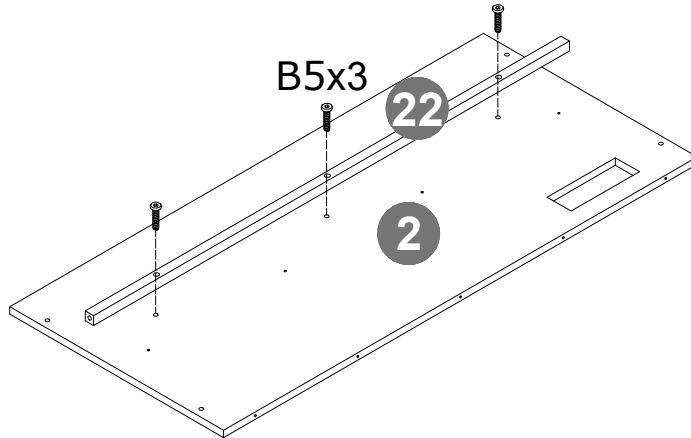
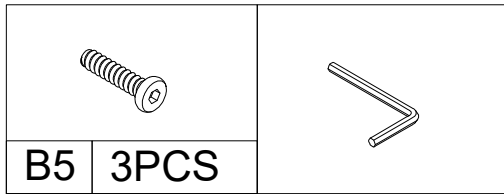
Step 6

	
B5	4PCS

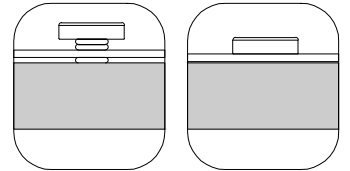


Assemble

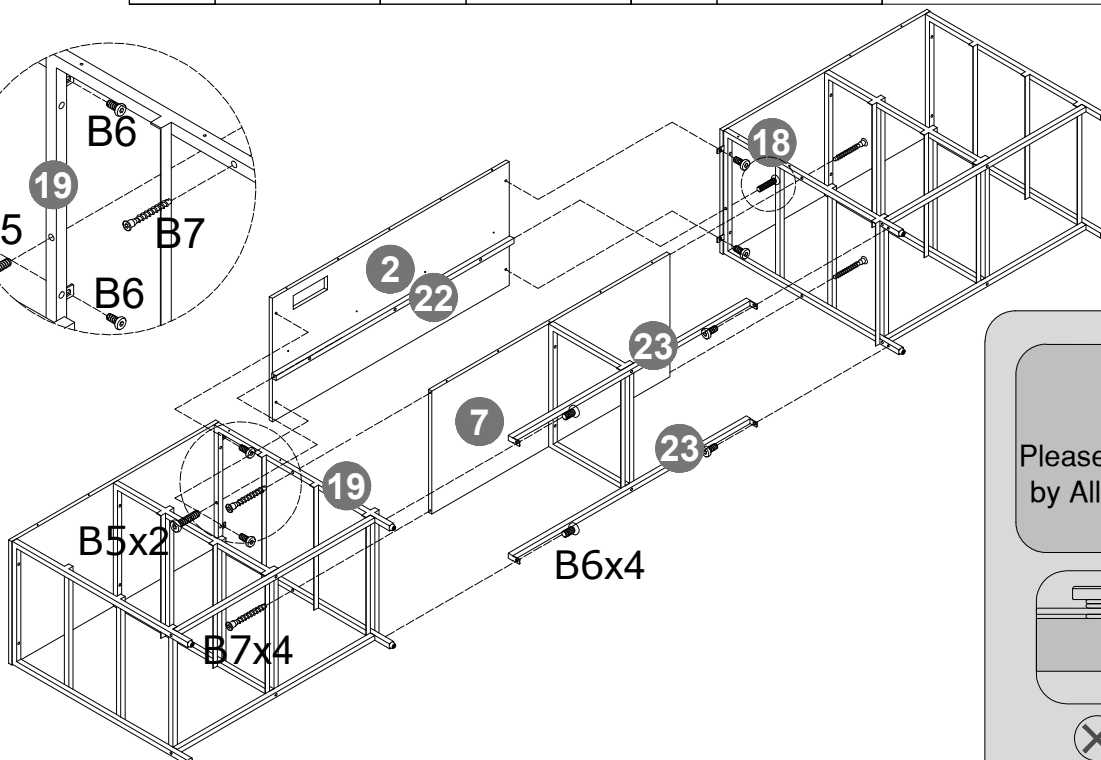
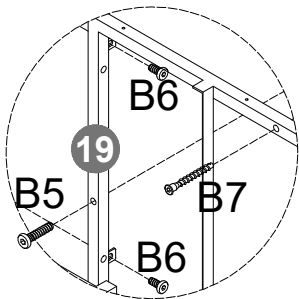
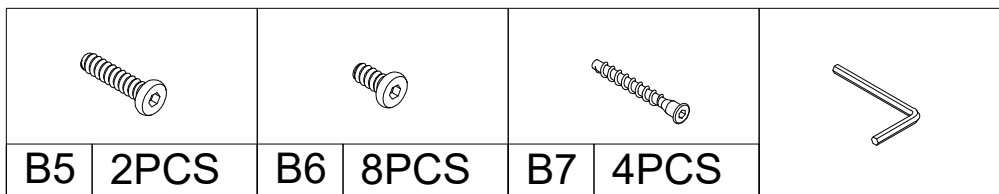
Step 7



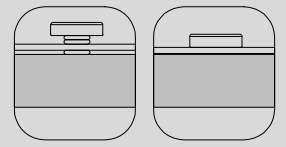
! Do not fully tighten all Bolts in this Step by Allen Wrench.



Step 8

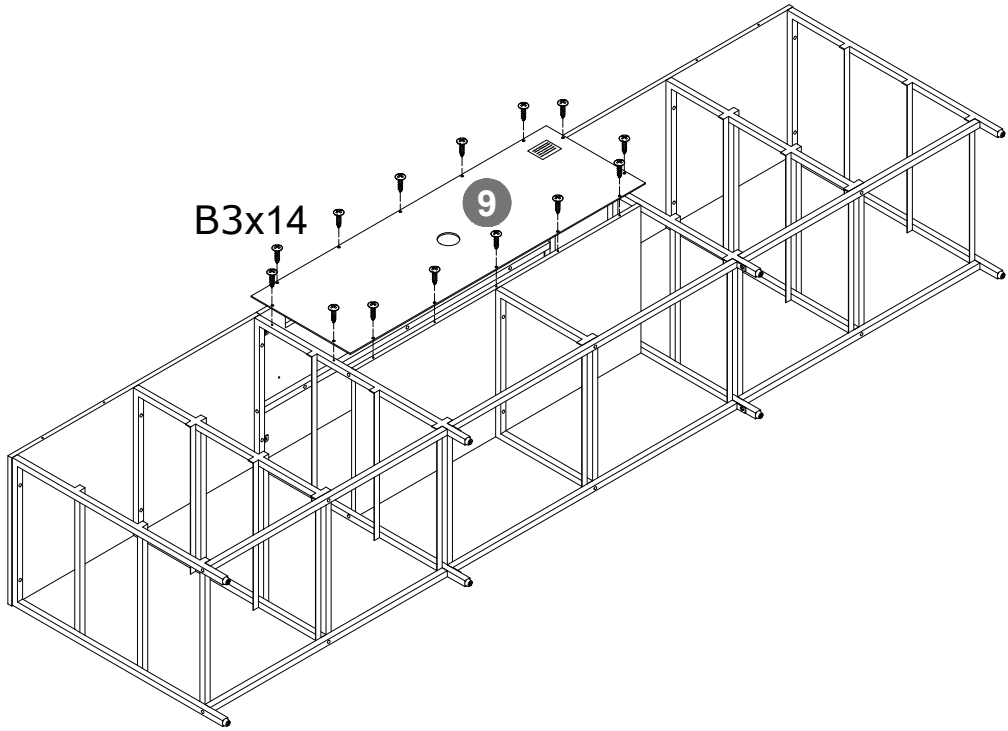
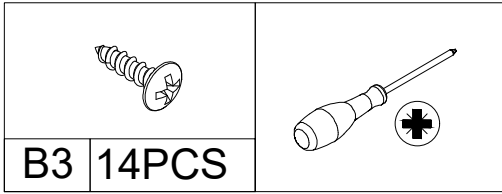


! Please tighten all Bolts by Allen Wrench until this Step.

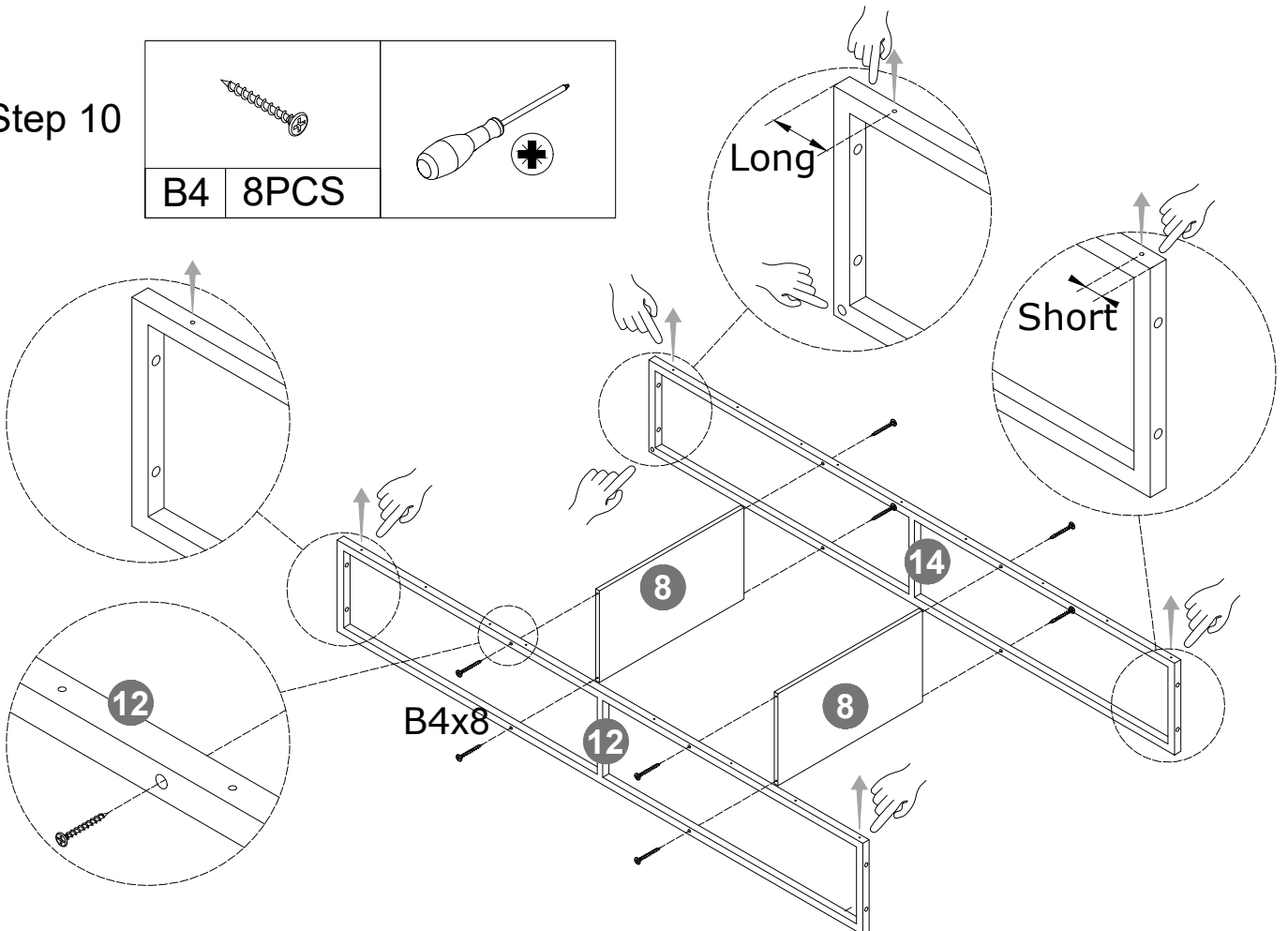
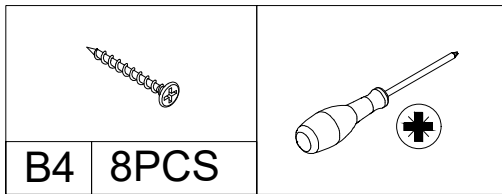


Assemble

Step 9

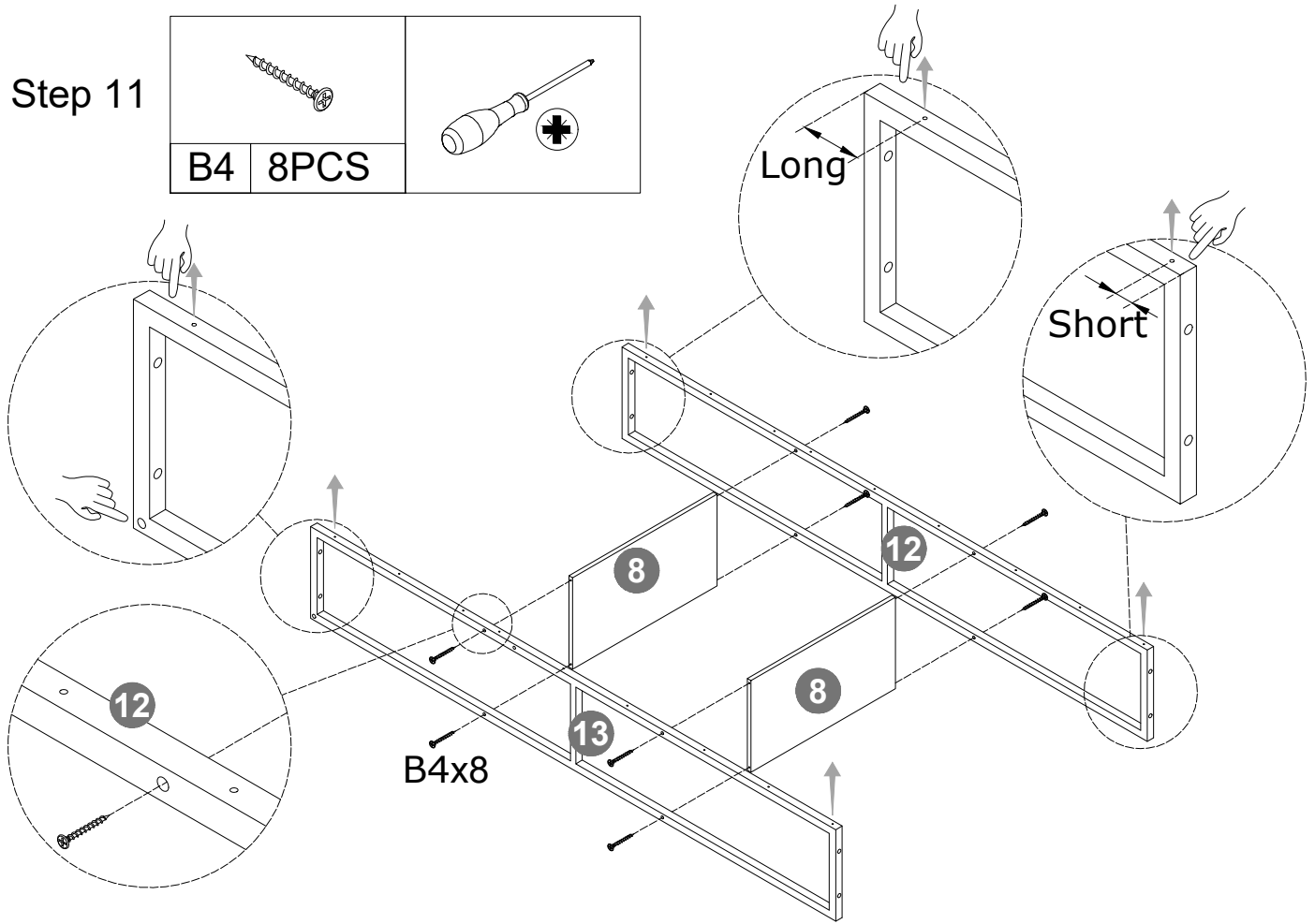
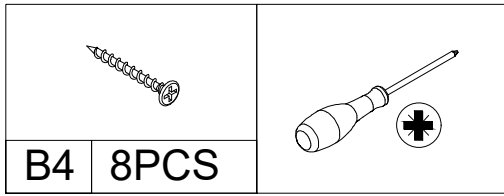


Step 10

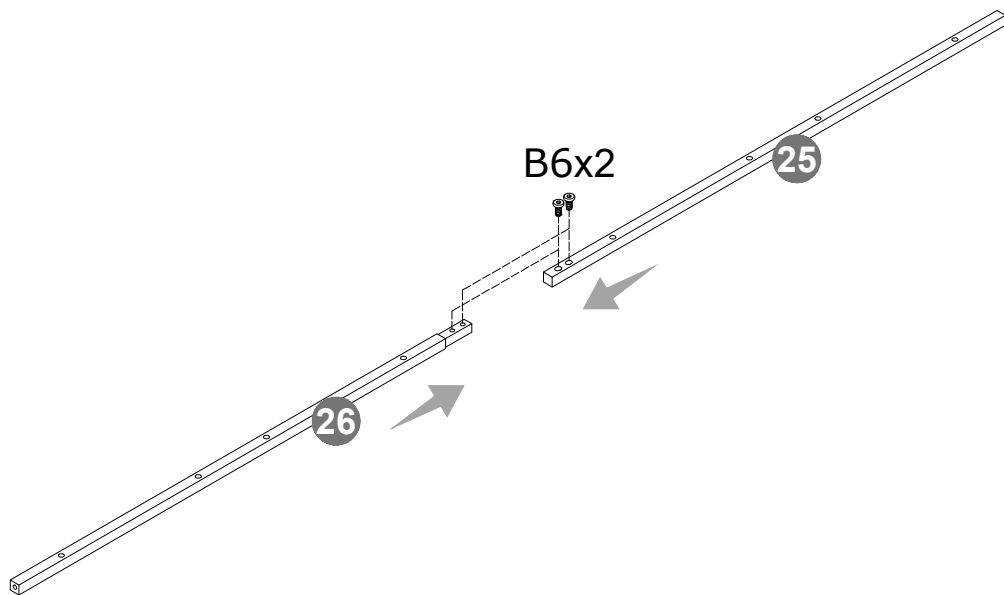
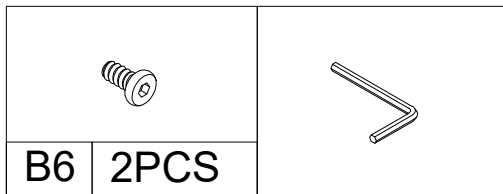


Assemble

Step 11

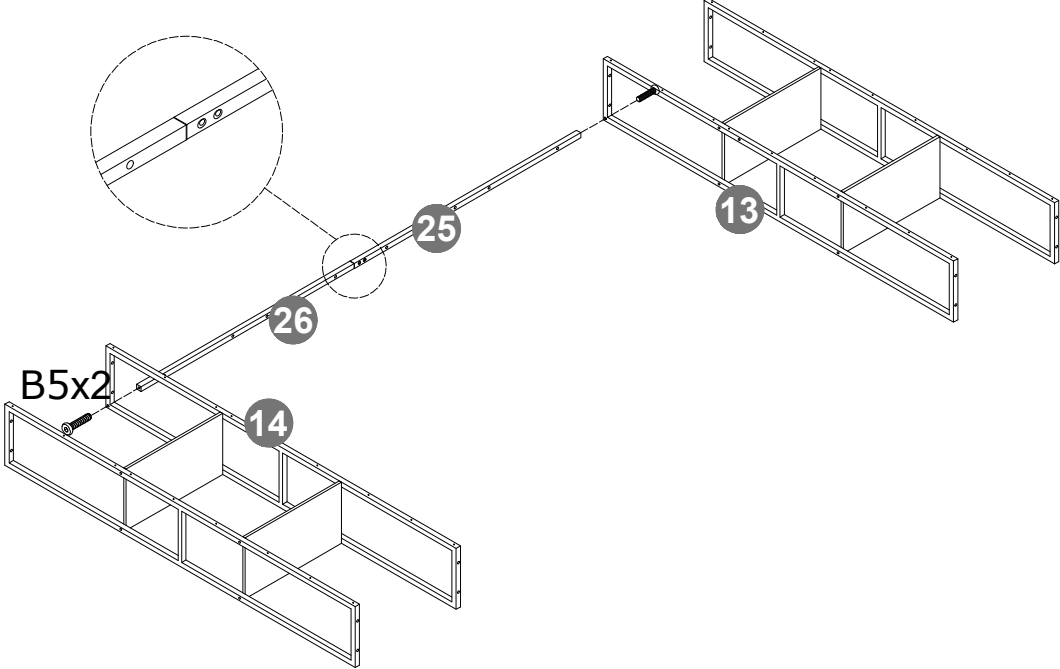
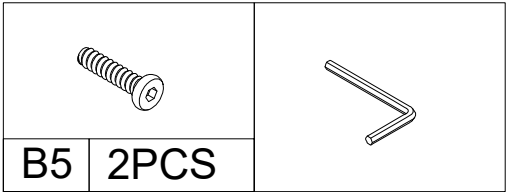


Step 12

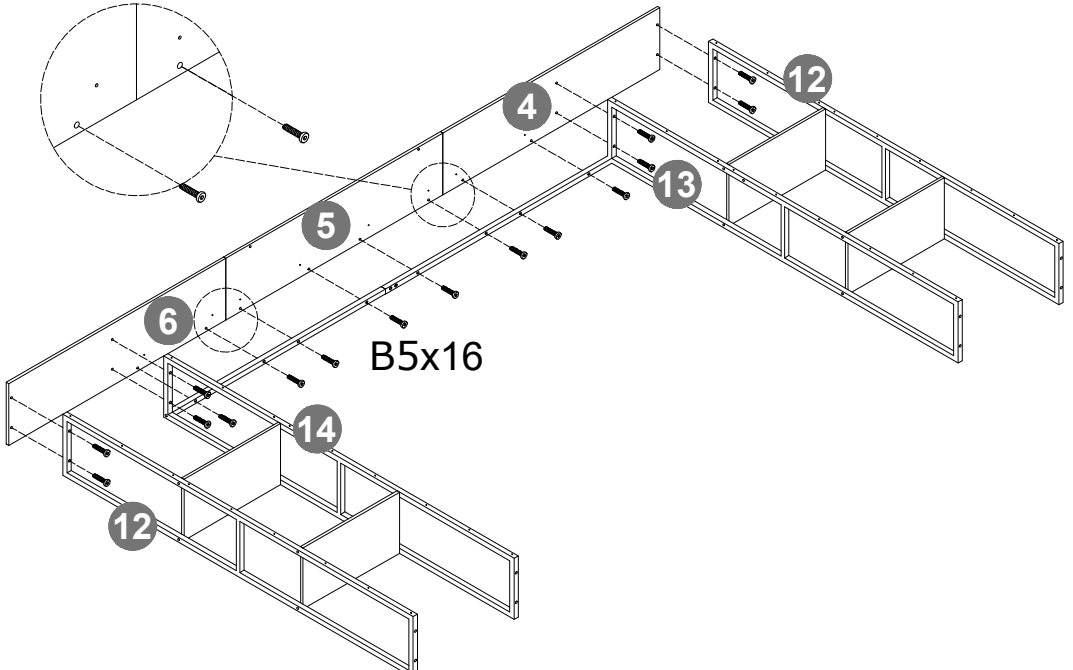
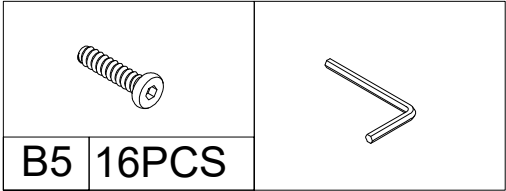


Assemble

Step 13


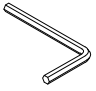


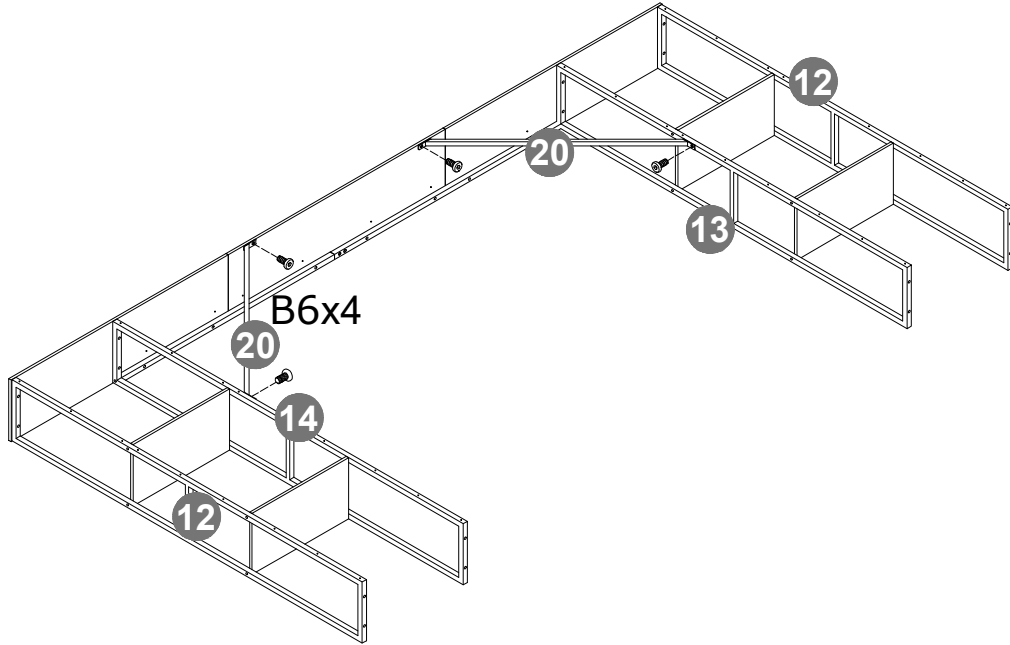
Step 14



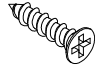
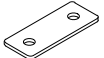
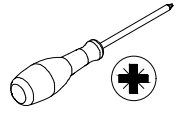
Assemble

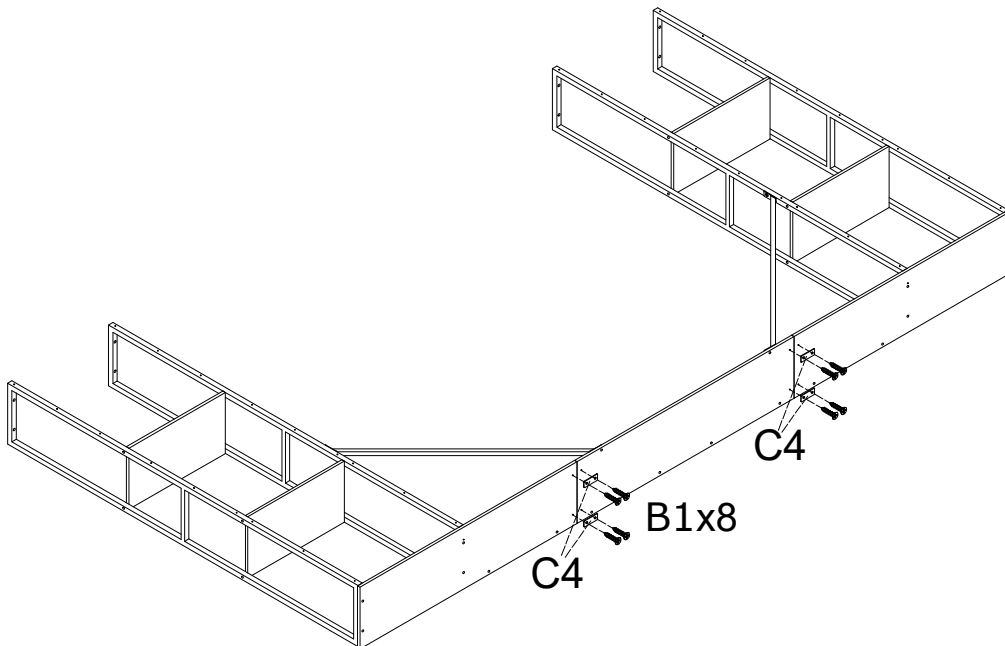
Step 15

	
B6	4PCS



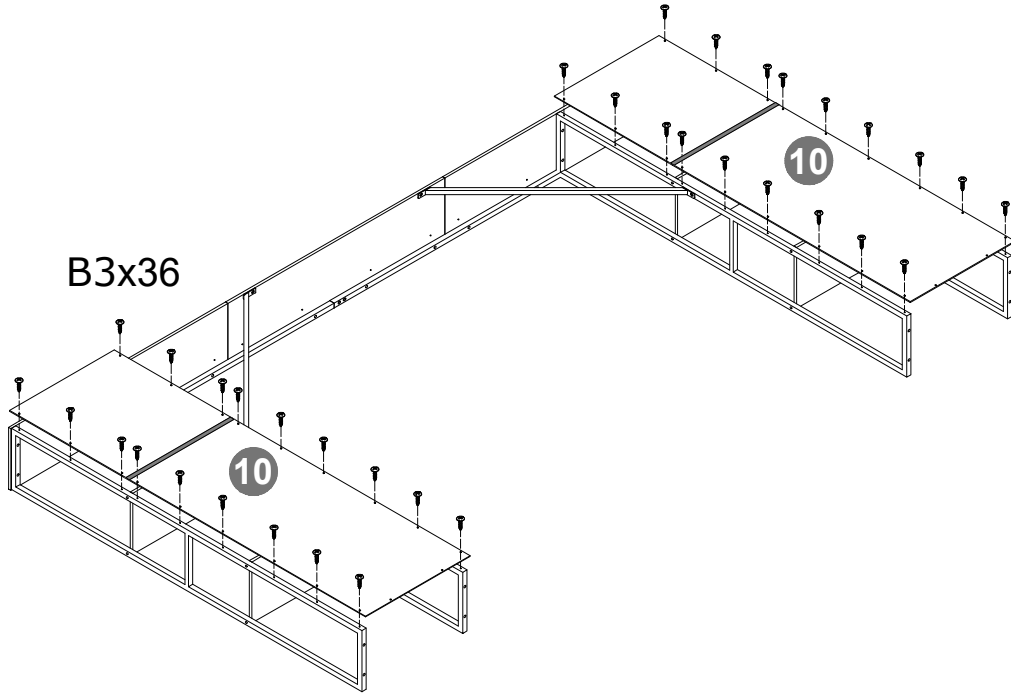
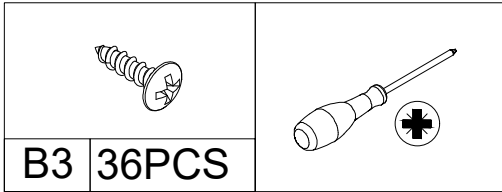
Step 16

		
B1	8PCS	C4
		4PCS

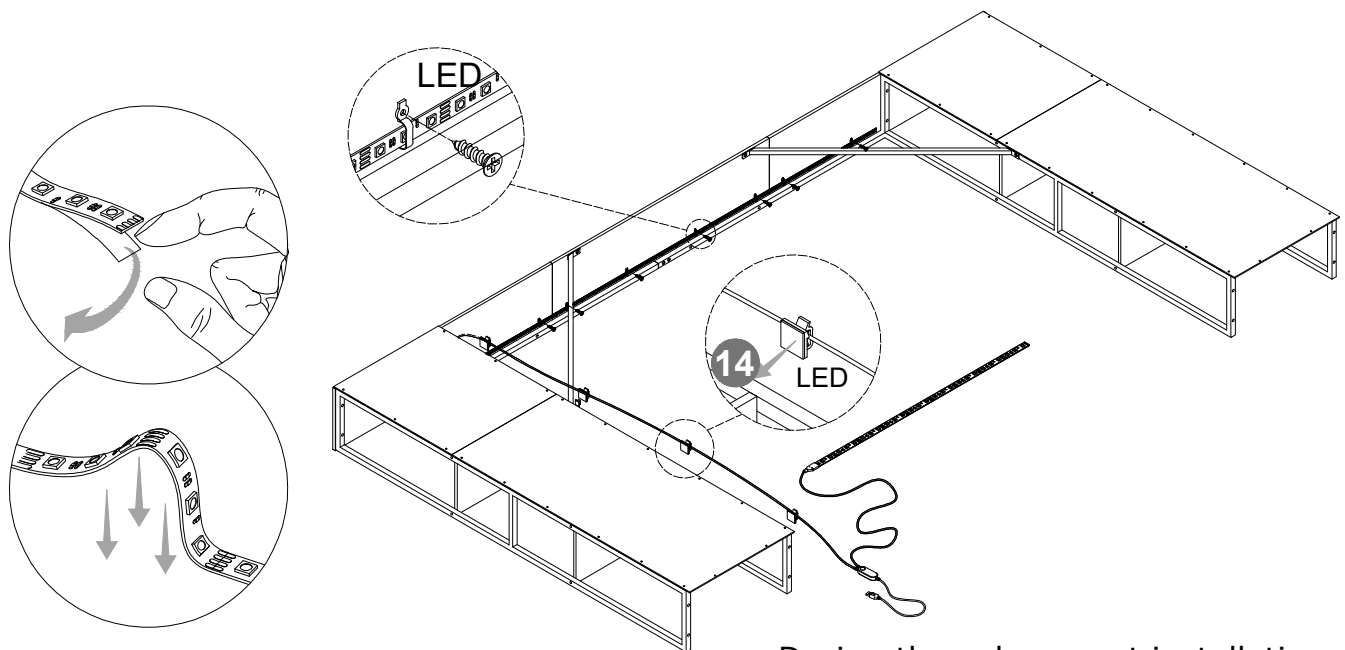
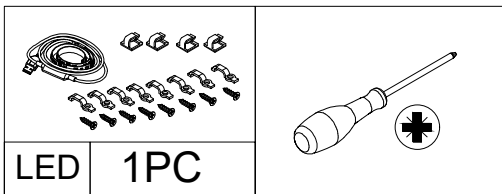


Assemble

Step 17



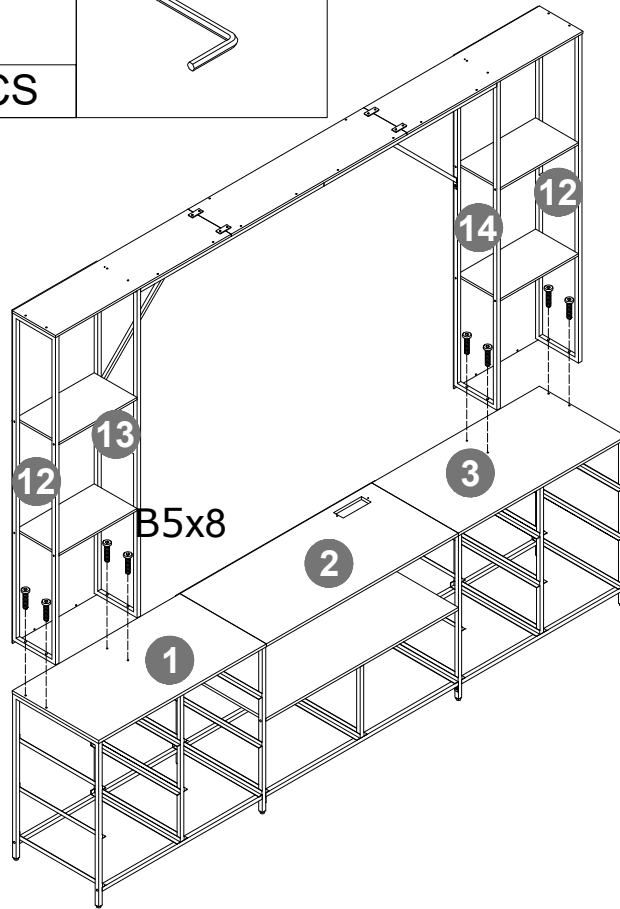
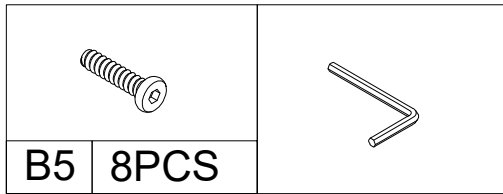
Step 18



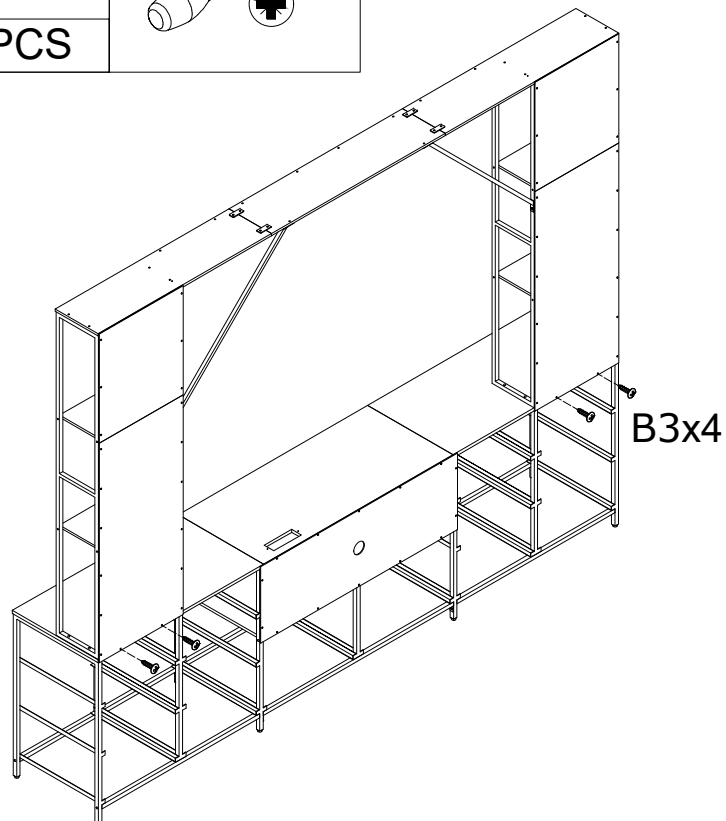
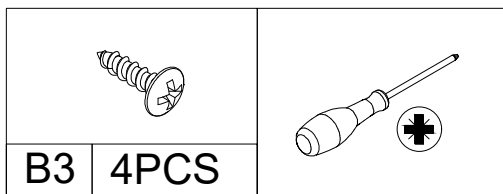
During the subsequent installation, be sure to protect the LED light strips.

Assemble

Step 19

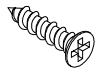
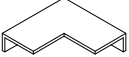

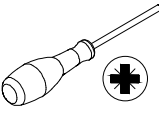


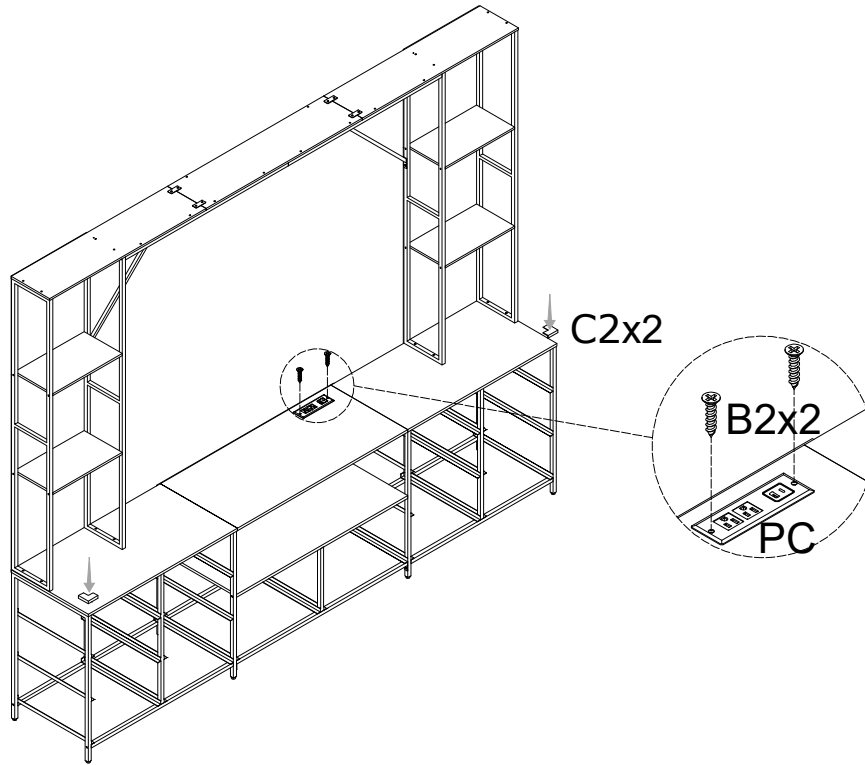
Step 20




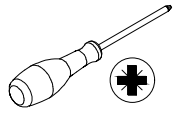
Assemble

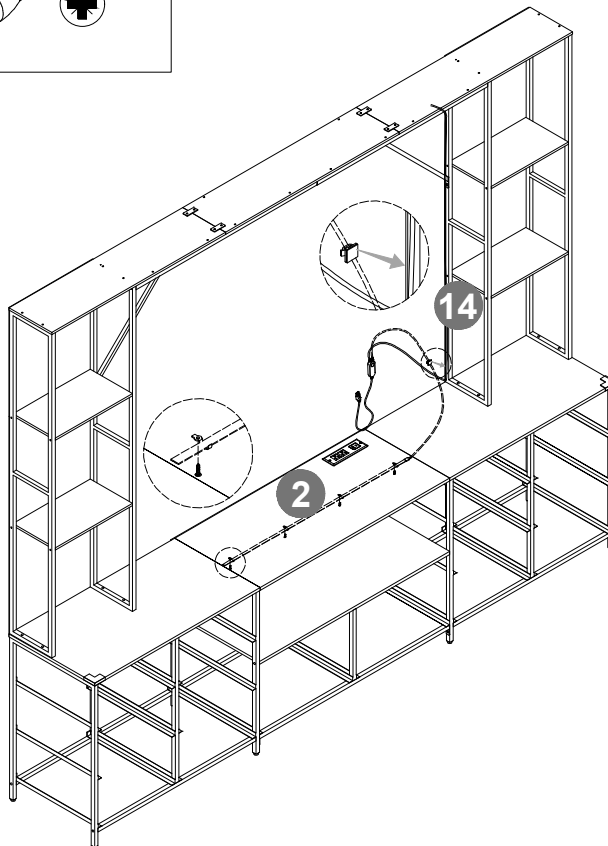
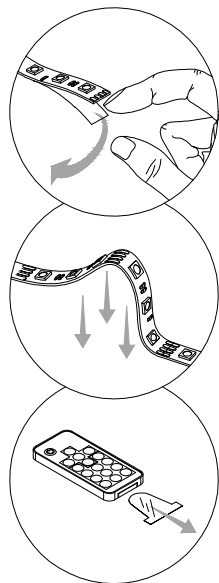
Step 21

							
B2	2PCS	C2	2PCS	PC	1PC		



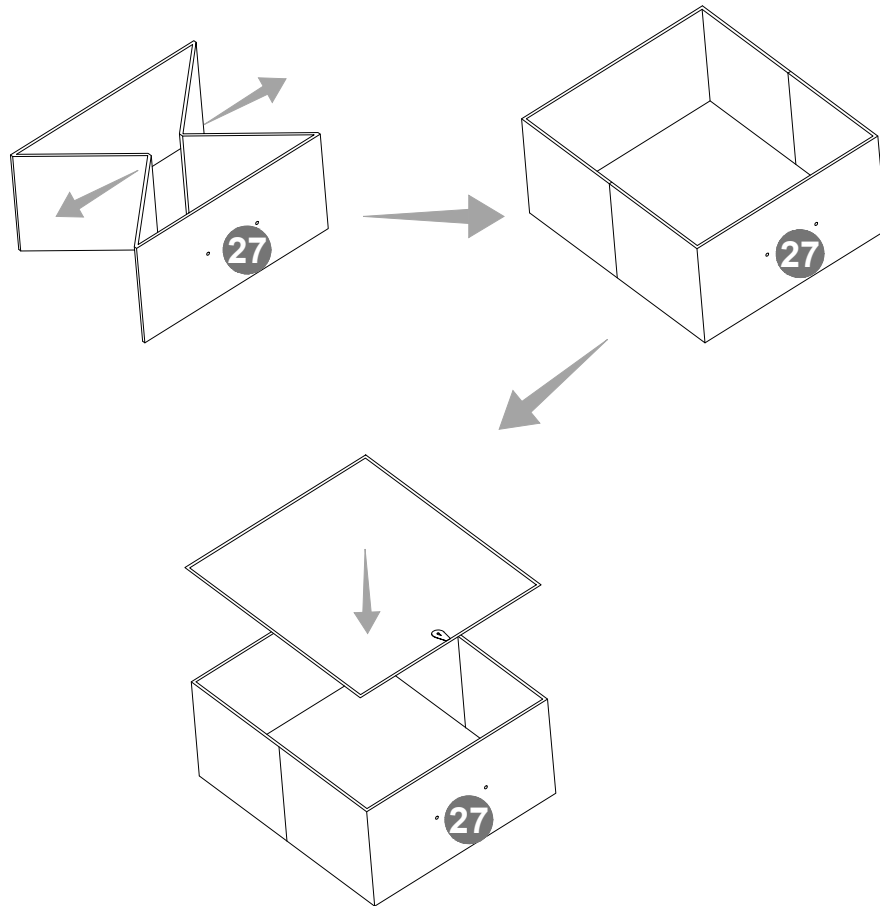
Step 22

			
LED	1PC		



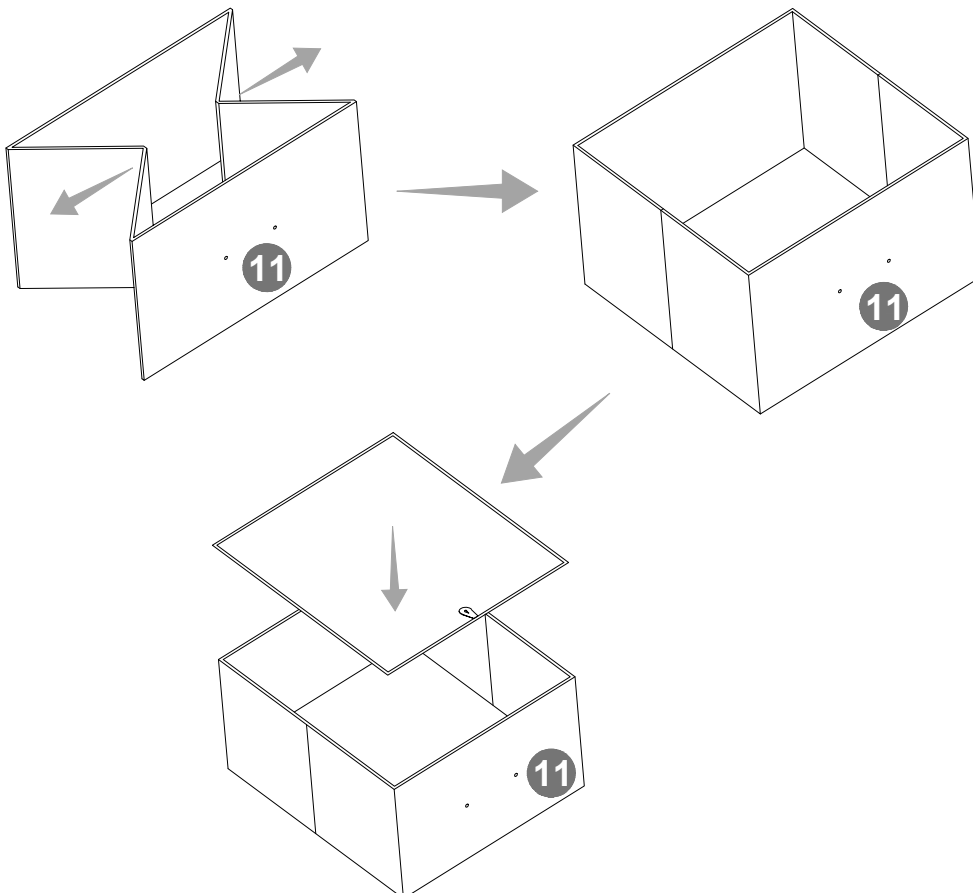
Assemble

Step 23



x12

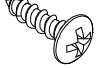
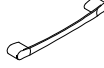
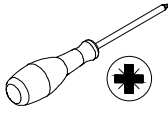
Step 24

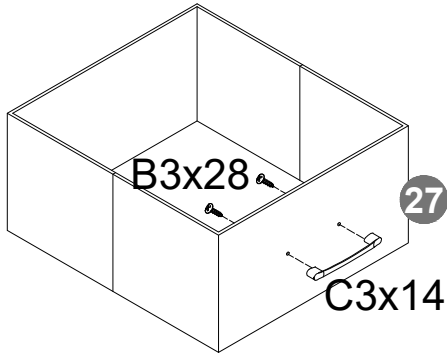


x2

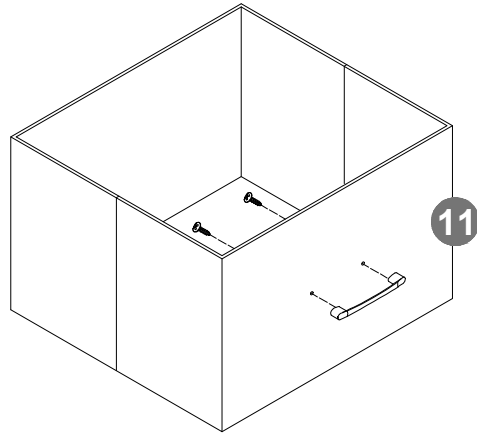
Assemble

Step 25

			
B3	28PCS	C3	14PCS

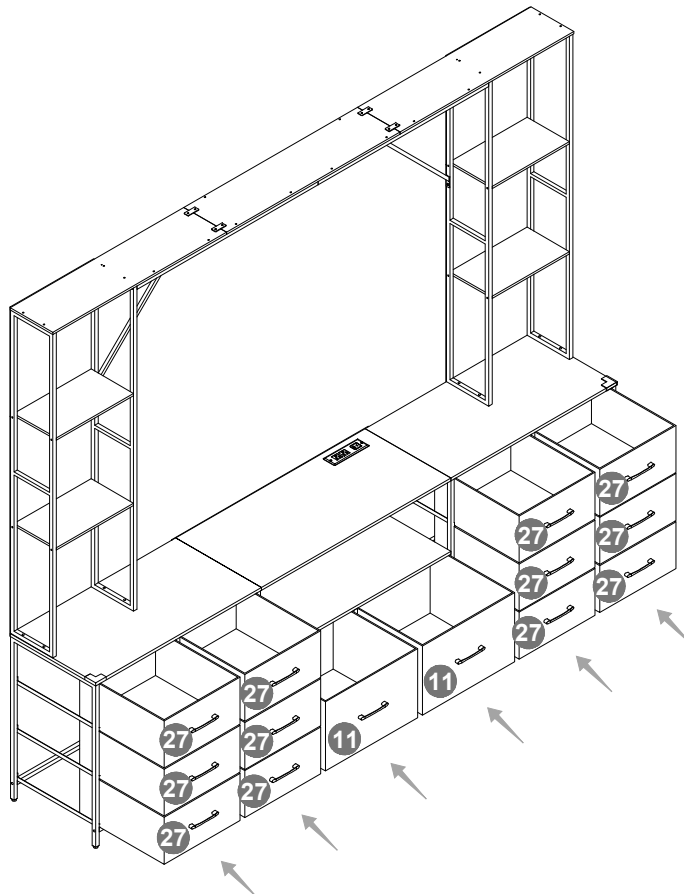


x12

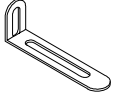
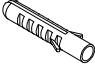
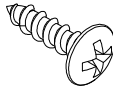
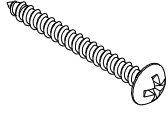


x2

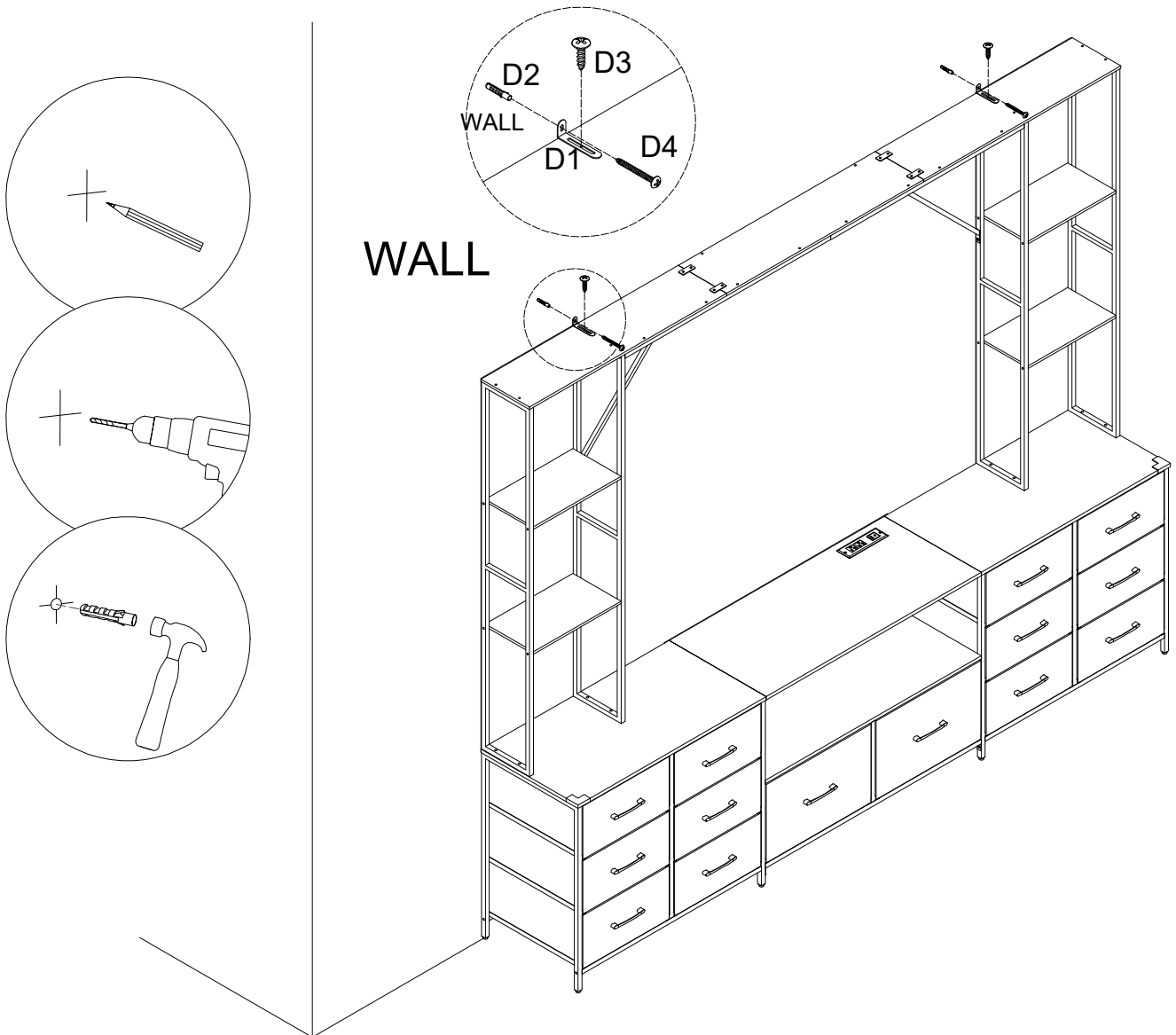
Step 26



Step 27

							
D1	2PCS	D2	2PCS	D3	2PCS	D4	2PCS

Serious of injuries can occur from furniture tipping over, To prevent furniture from tipping over, we recommend that it be permanently fixed to the wall. This product contains wall anchors and hardware. Make sure the hardware fits the wall before installation.



Final Assembly