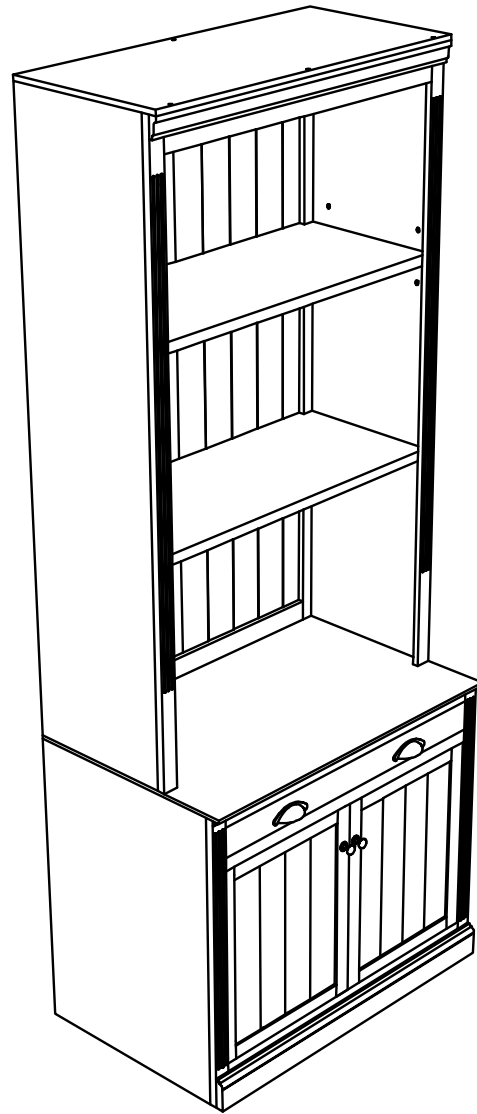


ASSEMBLY INSTRUCTION

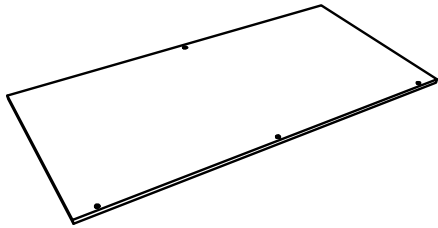
WF313025

WF313026



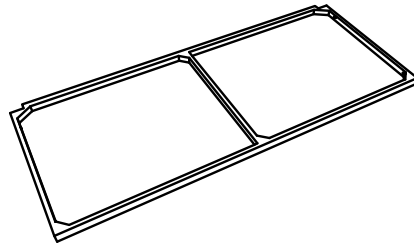
PARTS LIST - WF313025

(A)



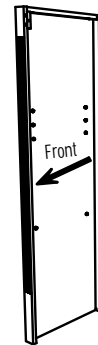
Quantity:
1 pc

(B)



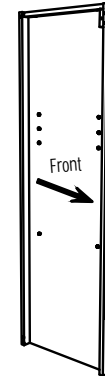
Quantity:
2 pcs

(CL)



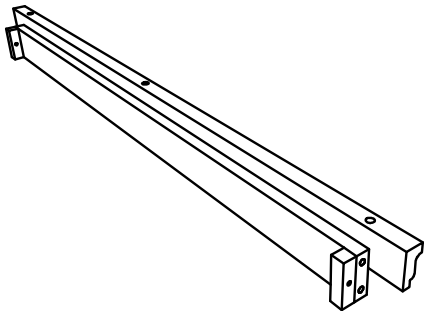
Quantity:
1 pc

(CR)



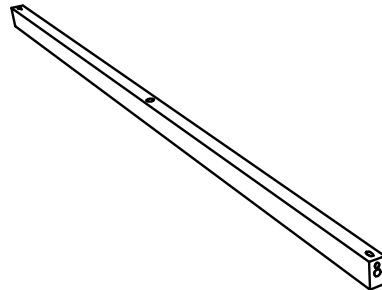
Quantity:
1 pc

(D)



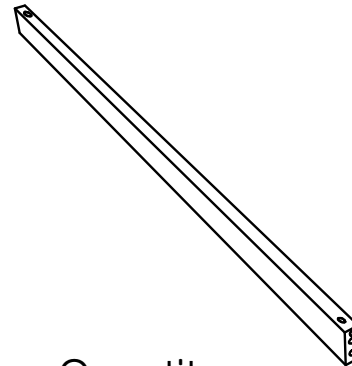
Quantity:
1 pc

(E)



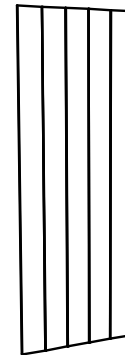
Quantity:
1 pc

(F)



Quantity:
1 pc

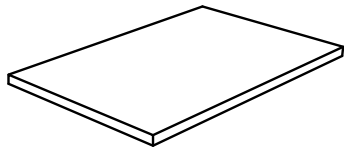
(G)



Quantity:
2 pcs

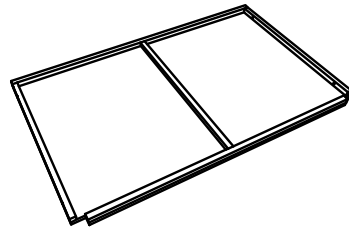
PARTS LIST - WF313026

H



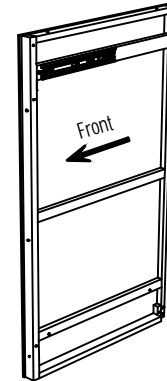
Quantity:
1 pc

I



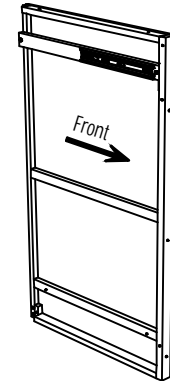
Quantity:
1 pc

JL



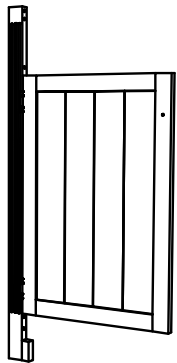
Quantity:
1 pc

JR



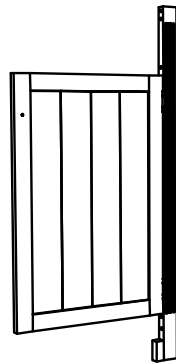
Quantity:
1 pc

KL



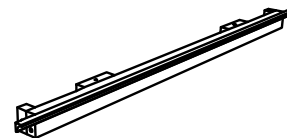
Quantity:
1 pc

KR



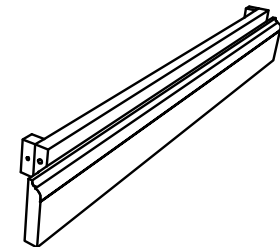
Quantity:
1 pc

L



Quantity:
1 pc

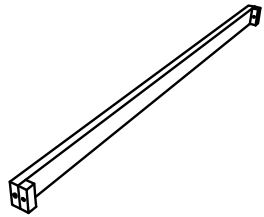
M



Quantity:
1 pc

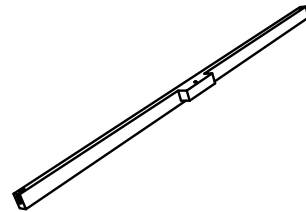
PARTS LIST - WF313026

N



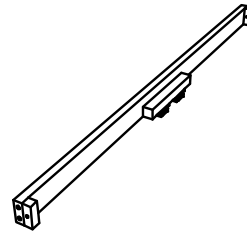
Quantity:
1 pc

O



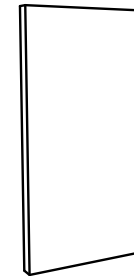
Quantity:
1 pc

P



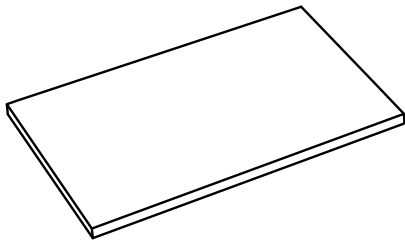
Quantity:
1 pc

Q



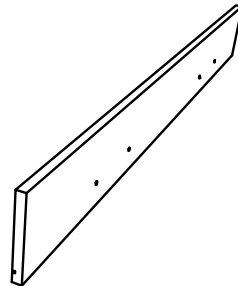
Quantity:
2 pcs

R



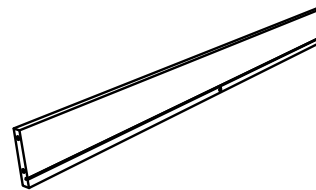
Quantity:
1 pc

S



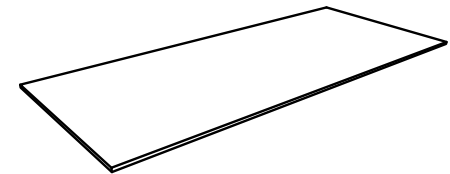
Quantity:
1 pc

T



Quantity:
1 pc

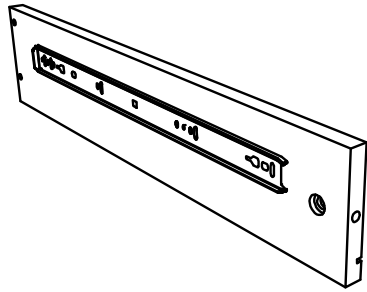
U



Quantity:
1 pc

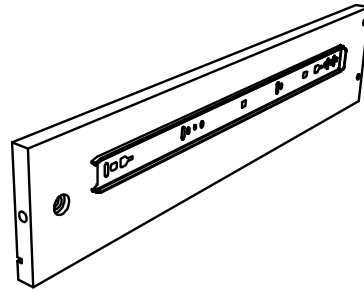
PARTS LIST - WF313026

WL



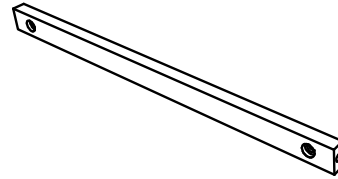
Quantity:
1 pc

WR

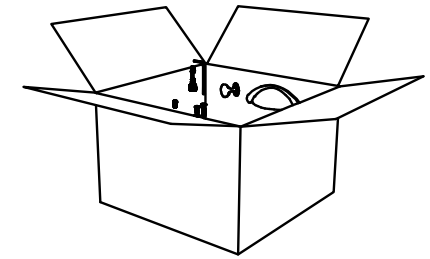


Quantity:
1 pc

X







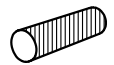





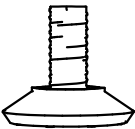



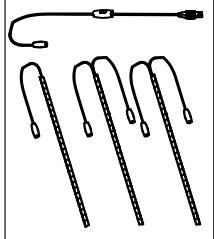
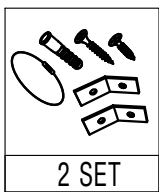


Quantity:
1 pc



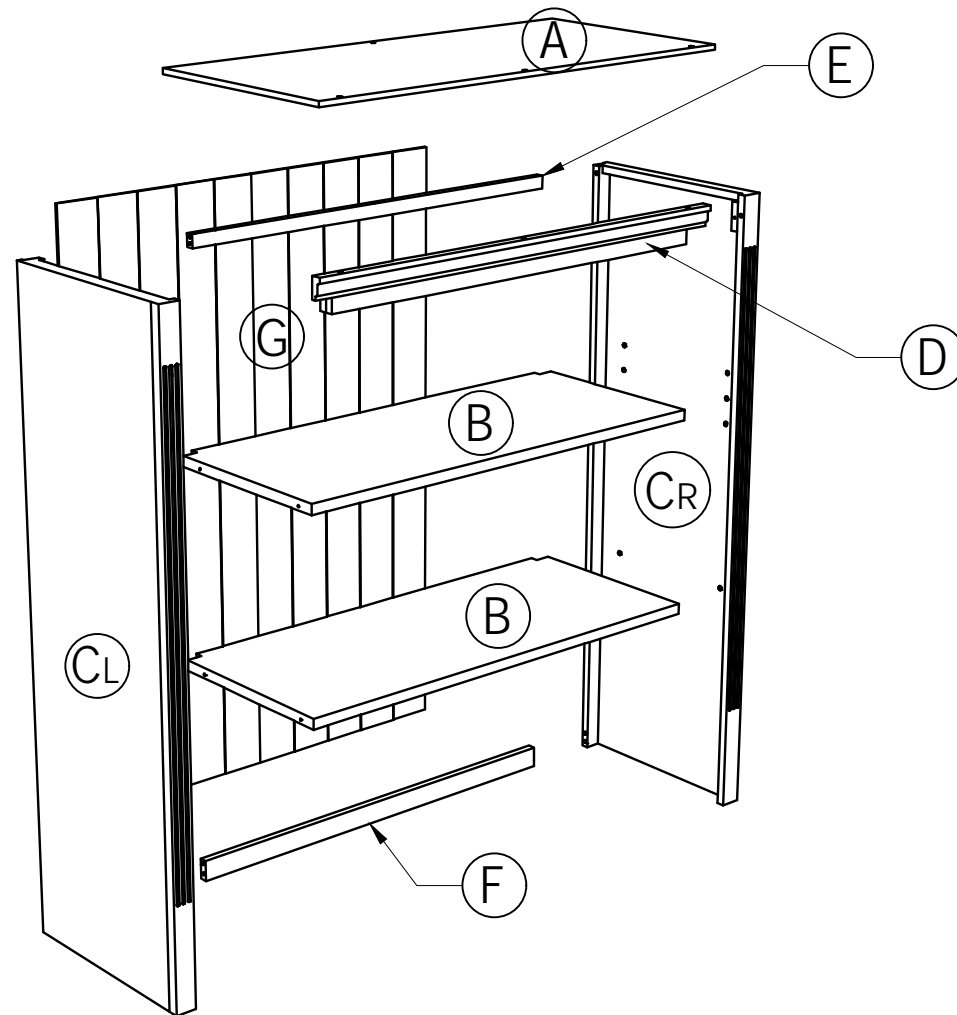
HARDWARE

HARDWARE LIST

<p>①</p>  <p>Allen key Quantity: 1 pc</p>	<p>②</p>  <p>Cam lock pin Cam lock Quantity: 4 pc</p>	<p>③</p>  <p>6x30mm Quantity: 47 pcs + extra 3pcs</p>	<p>④</p>  <p>6x16mm Quantity: 41 pcs + extra 3pcs</p>	<p>⑤</p>  <p>4x25mm Quantity: 2 pcs</p>	<p>⑥</p>  <p>4x15mm Quantity: 4 pcs</p>	<p>⑦</p>  <p>8x30mm Quantity: 20 pcs + extra 2pcs</p>	<p>⑧</p>  <p>4x30mm Quantity: 8 pcs</p>	<p>⑨</p>  <p>3x15mm Quantity: 46 pcs + extra 3pcs</p>
<p>⑩</p>  <p>Quantity: 2 pcs</p>	<p>⑪</p>  <p>Quantity: 2 pcs</p>	<p>⑫</p>  <p>Screwdrivers Quantity: 1 pc</p>	<p>⑬</p>  <p>15x20mm Quantity: 4 pcs</p>	<p>⑭</p>  <p>20x80mm Quantity: 2 pcs</p>	<p>⑮</p>  <p>4x20mm Quantity: 4 pcs</p>	<p>⑯</p>  <p>4x25mm Quantity: 4 pcs</p>	<p>⑰</p>  <p>LED Light strip Quantity: 1 pc</p>	<p>⑱</p>  <p>2 SET Anti fall hardware Quantity: 1 pc</p>

COMPONENTS - KEY DIAGRAM

WF313025



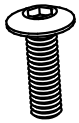
STEP 1

1



1 pc

3



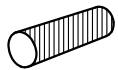
6x30mm
1 pc

4



6x16mm
1 pc

7



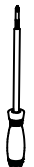
8x30mm
4 pcs

8

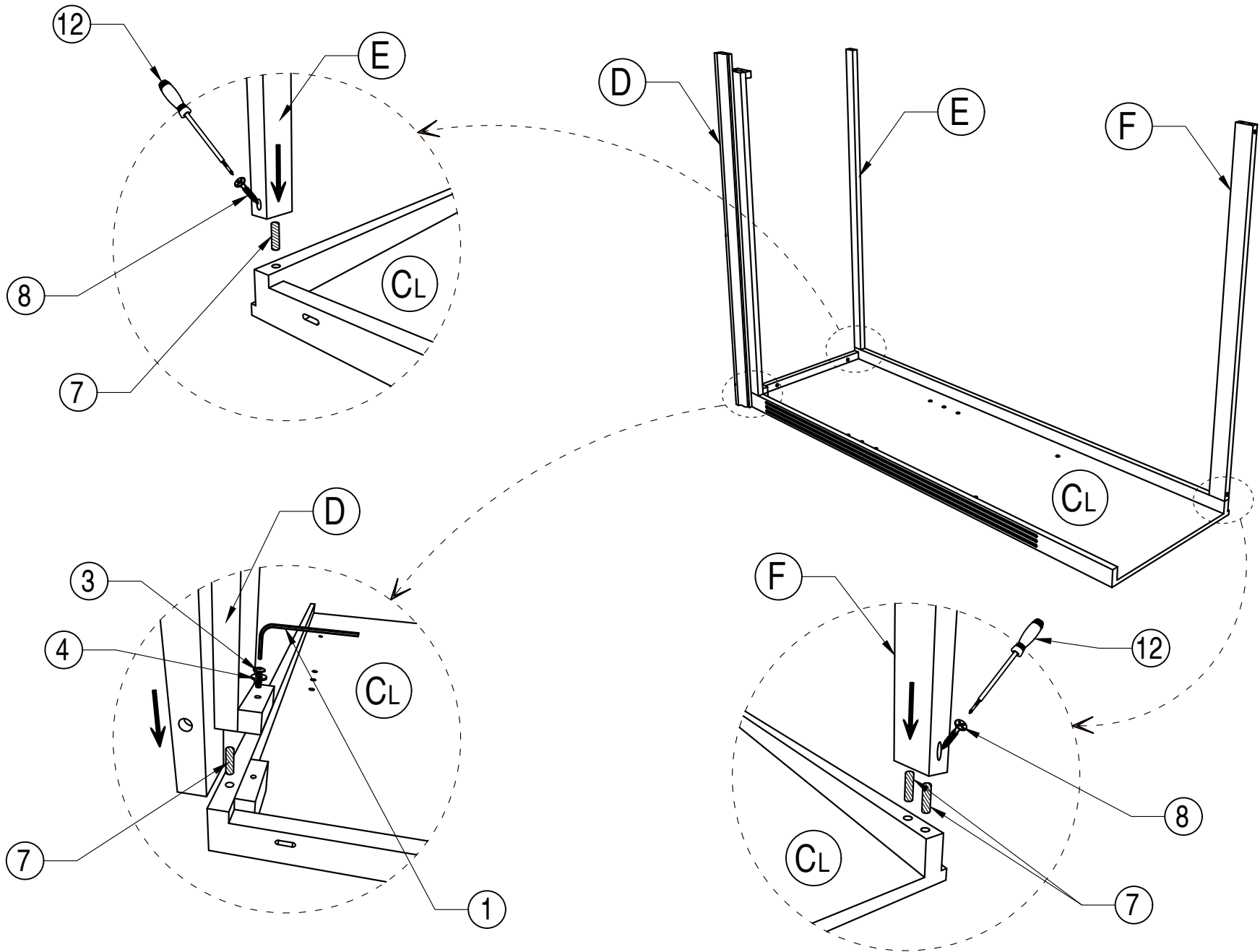


4x30mm
2 pcs

12



1 pc



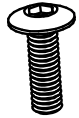
STEP 2

1



1 pc

3

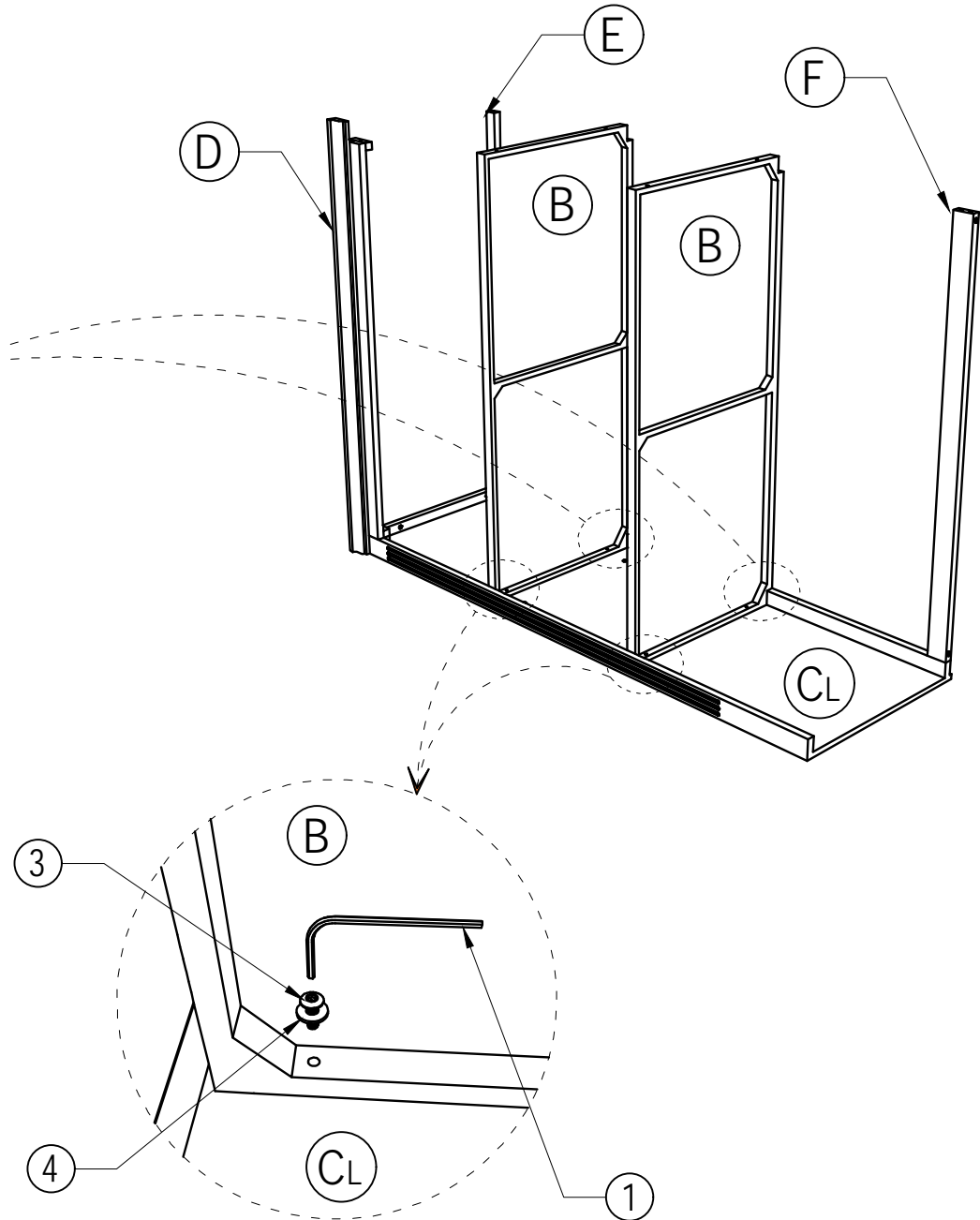
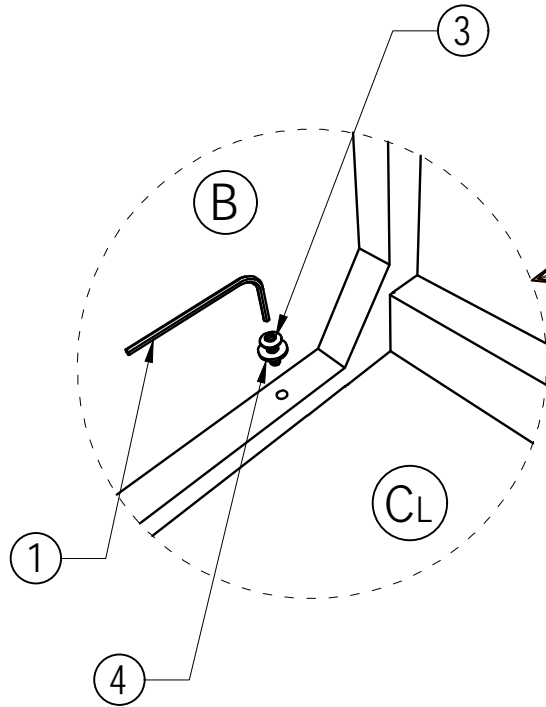


6x30mm
4 pcs

4

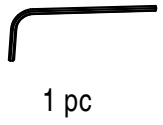


6x16mm
4 pcs

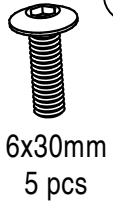


STEP 3

1



3



4



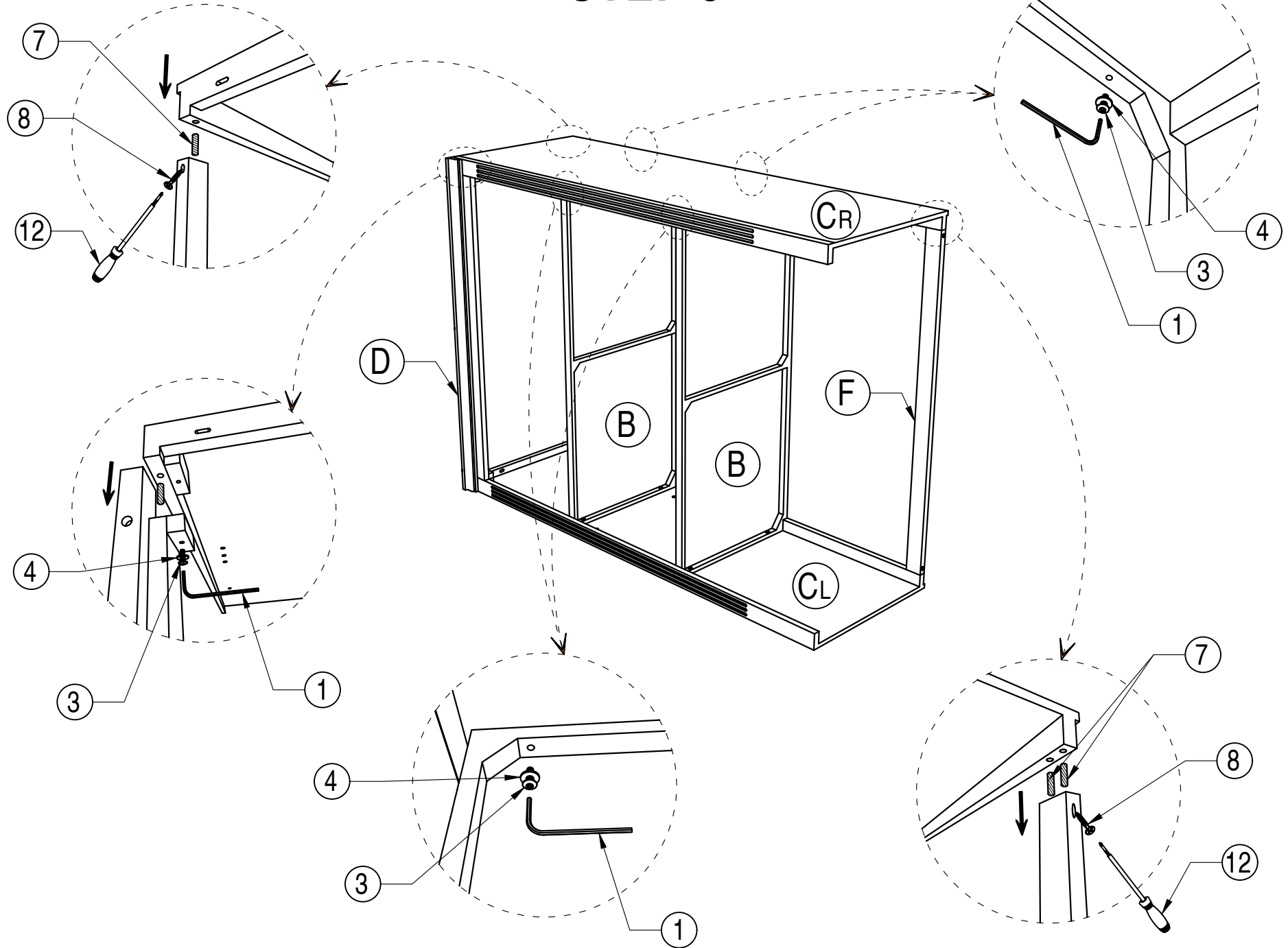
7



8



12



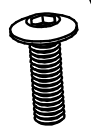
STEP 4

1

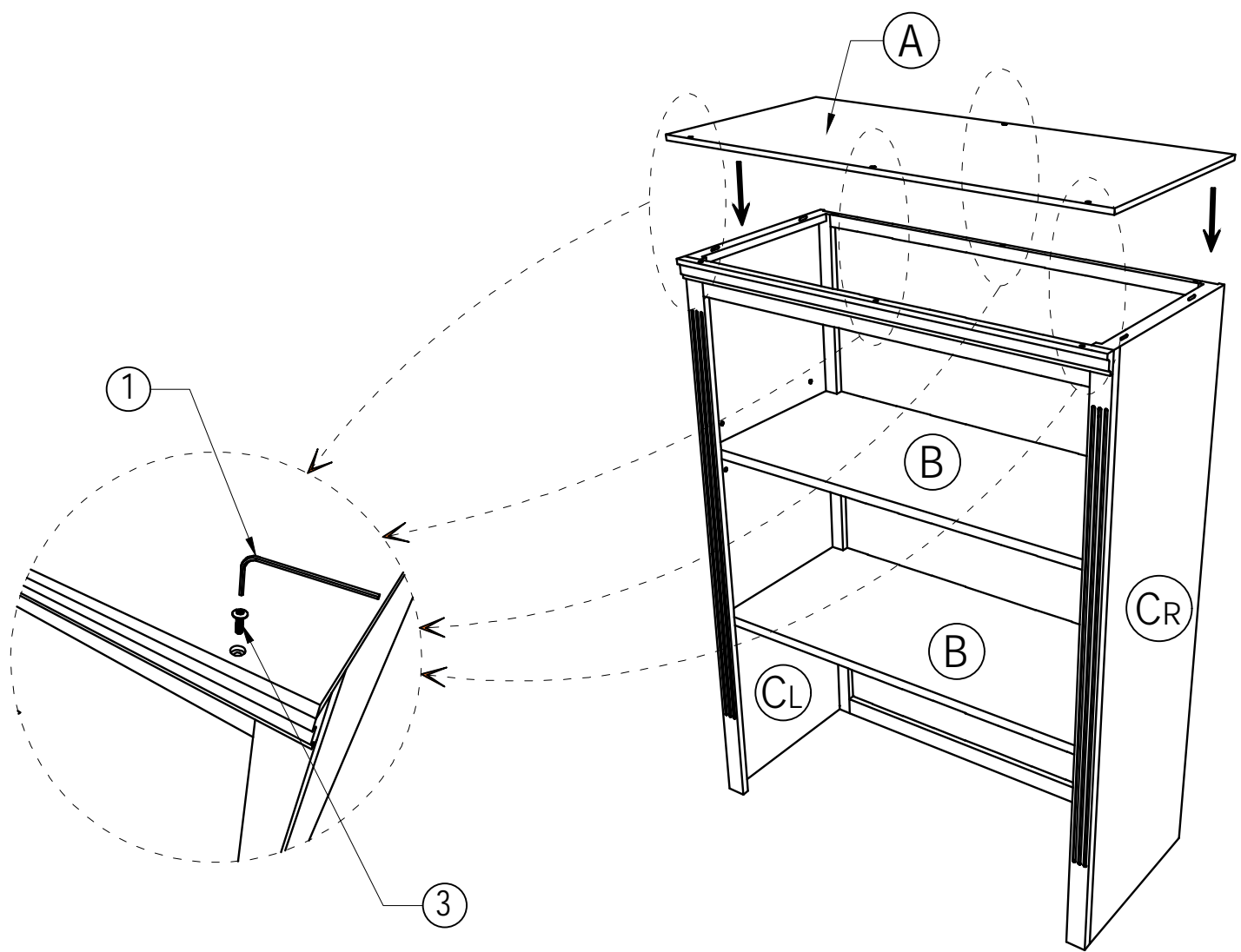


1 pc

3



6x30mm
4 pcs



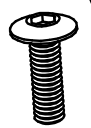
STEP 5

1



1 pc

3

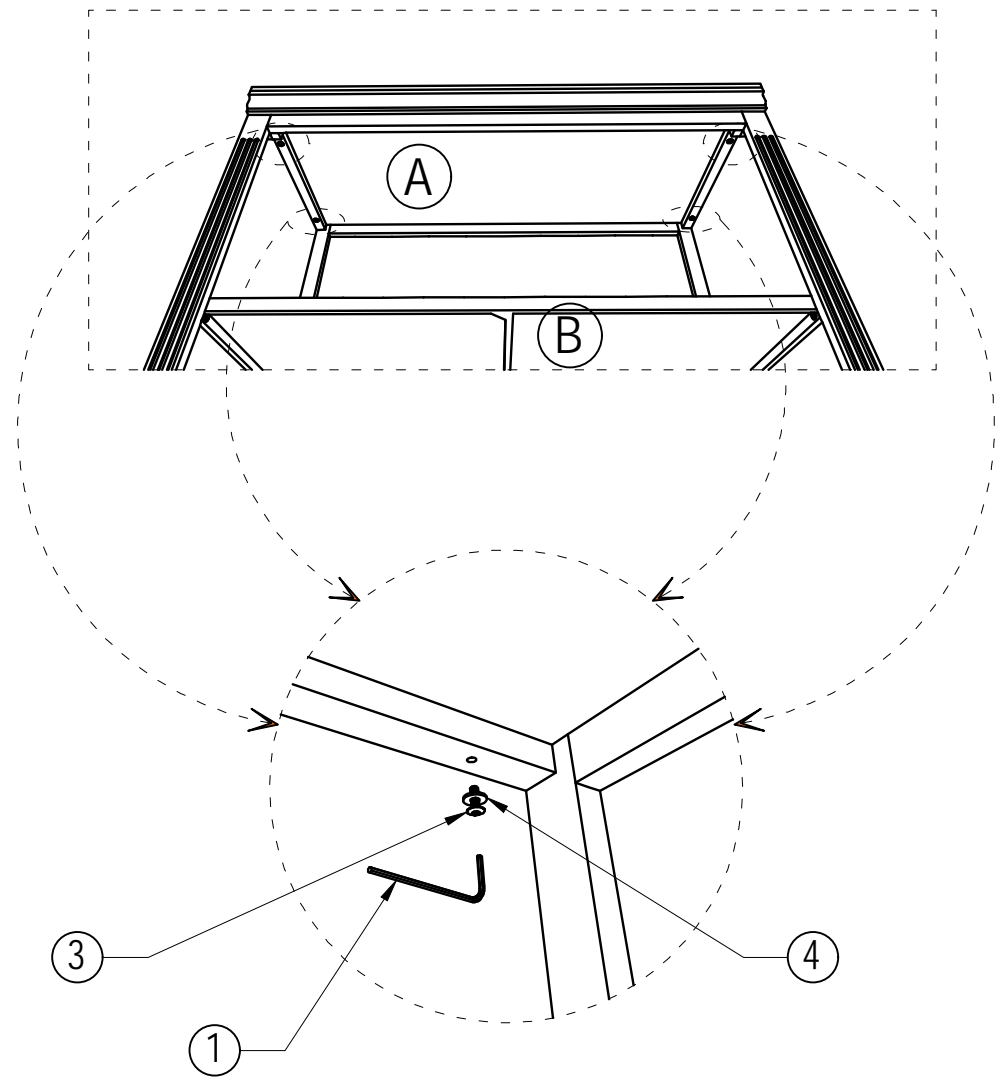


6x30mm
4 pcs

4



6x16mm
4 pcs



STEP 6

9

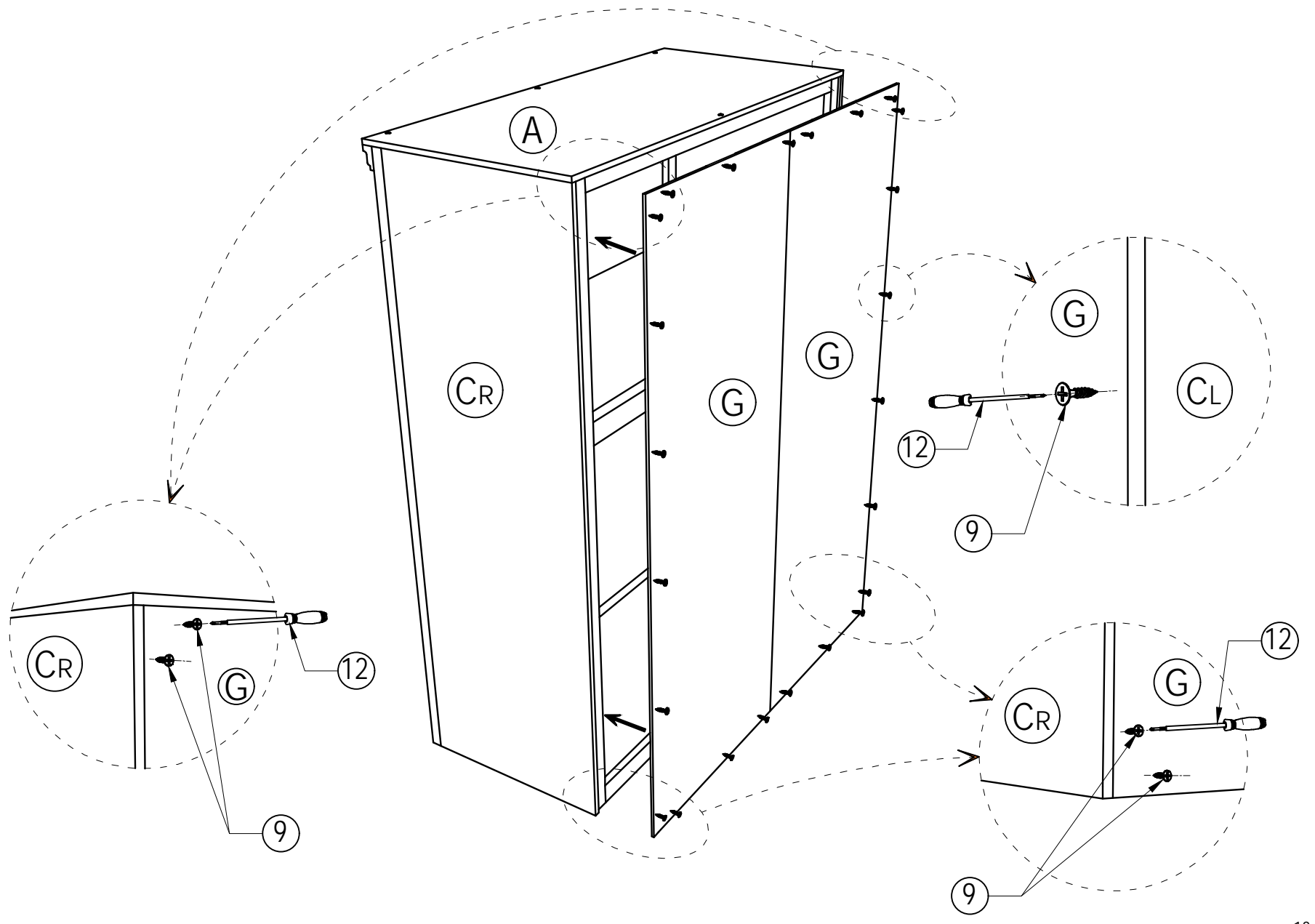


3x15mm
24 pcs

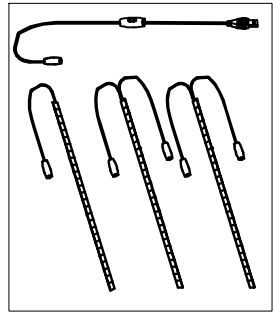
12



1 pc



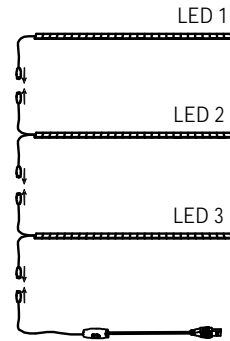
17



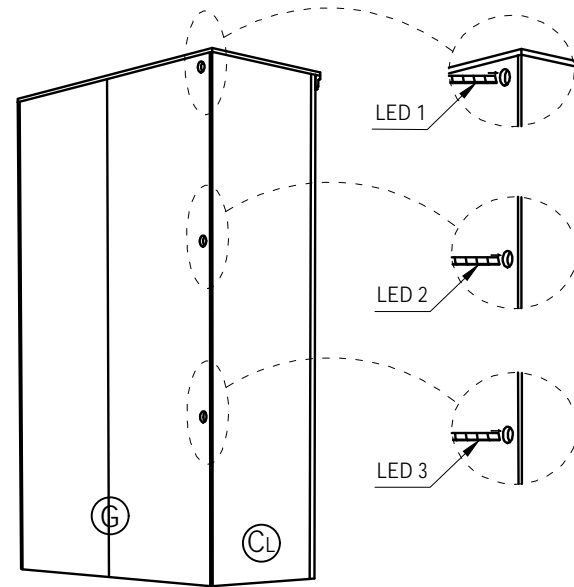
LED Light strip
1 pc

STEP 7

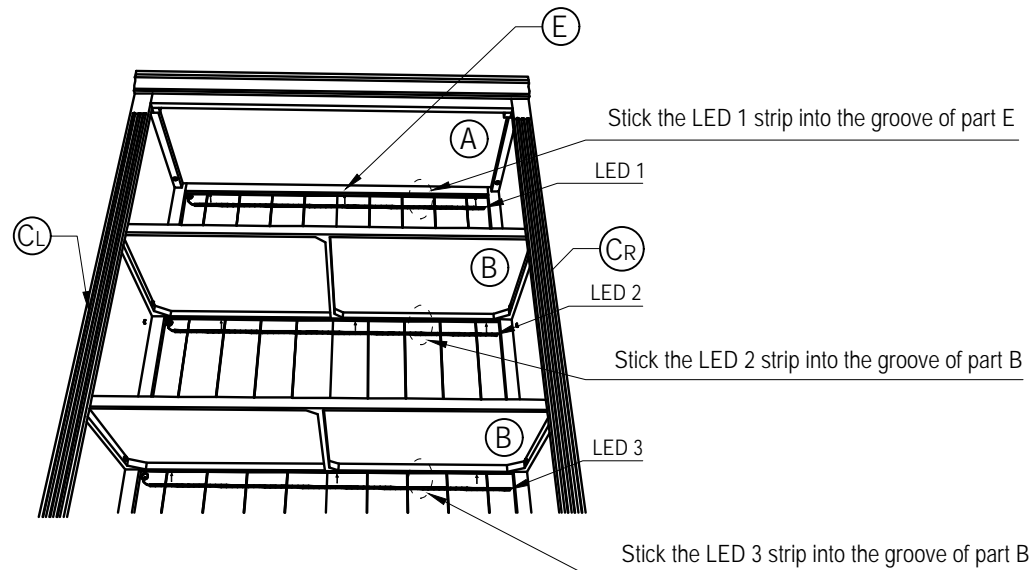
7.1. Connect LED strips together



7.2. Insert the LED strips into the holes

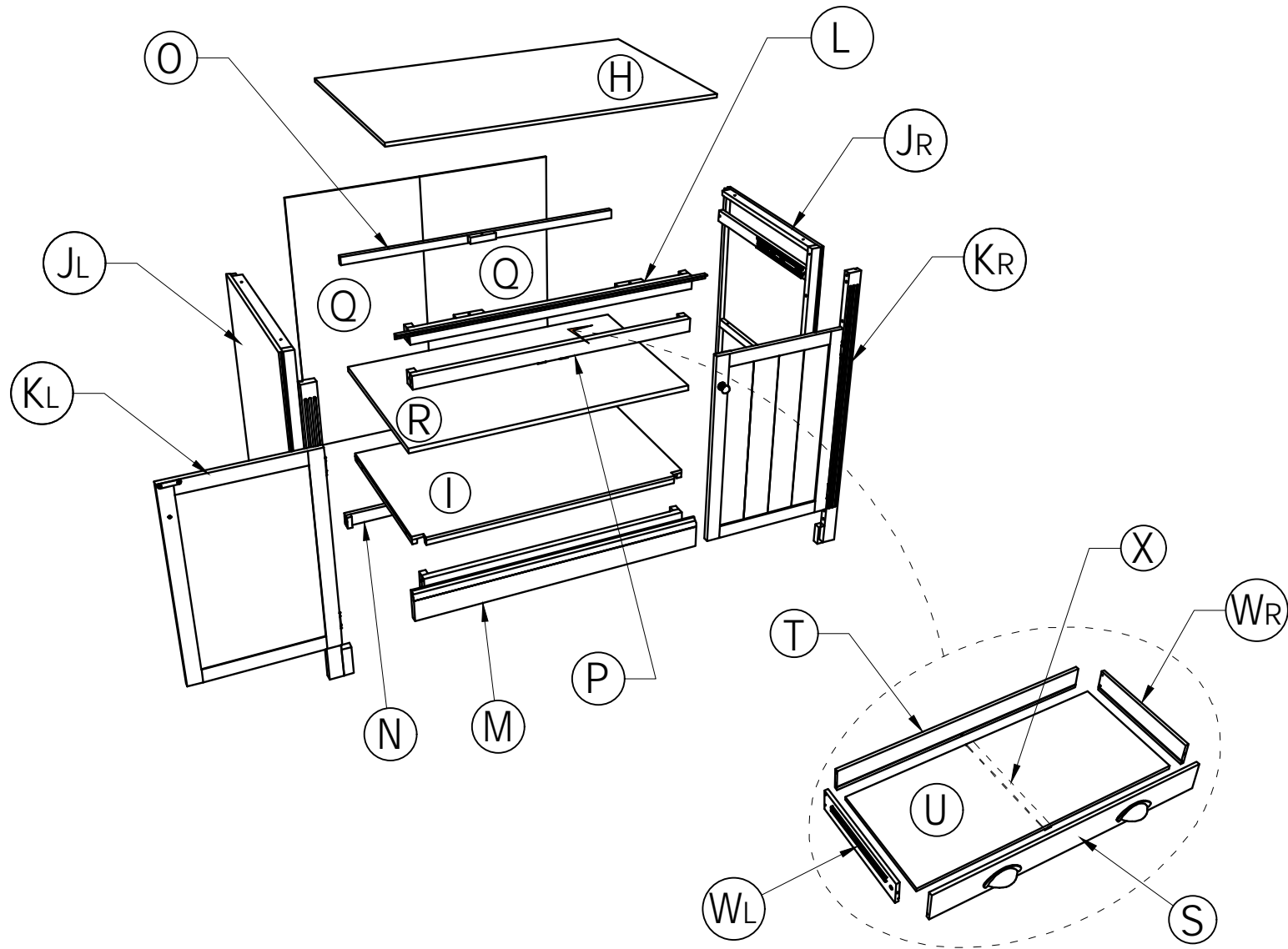


7.3.



COMPONENTS - KEY DIAGRAM

WF313026



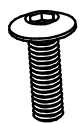
STEP 8

1



1 pc

3

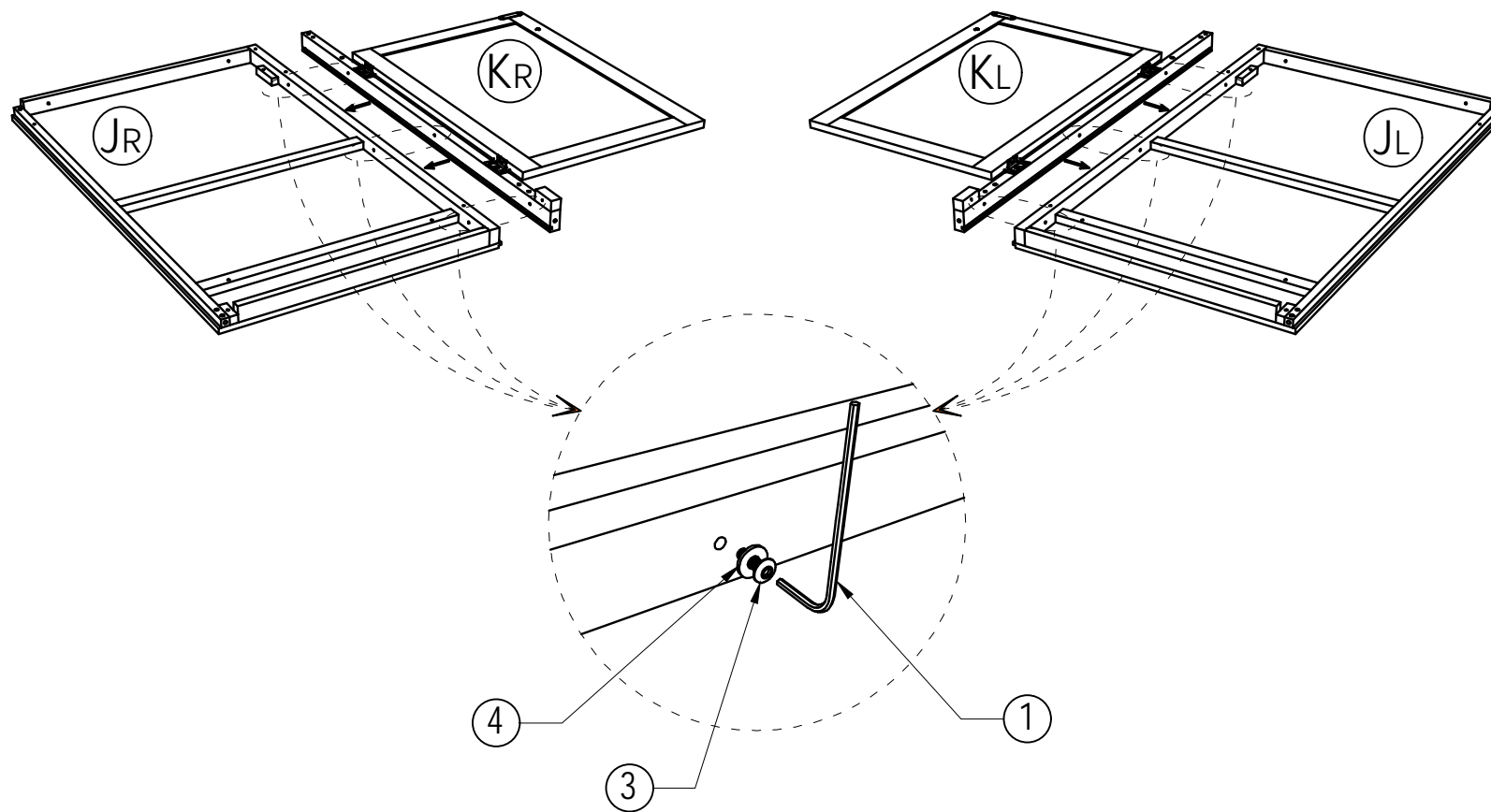


6x30mm
6 pcs




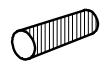


4

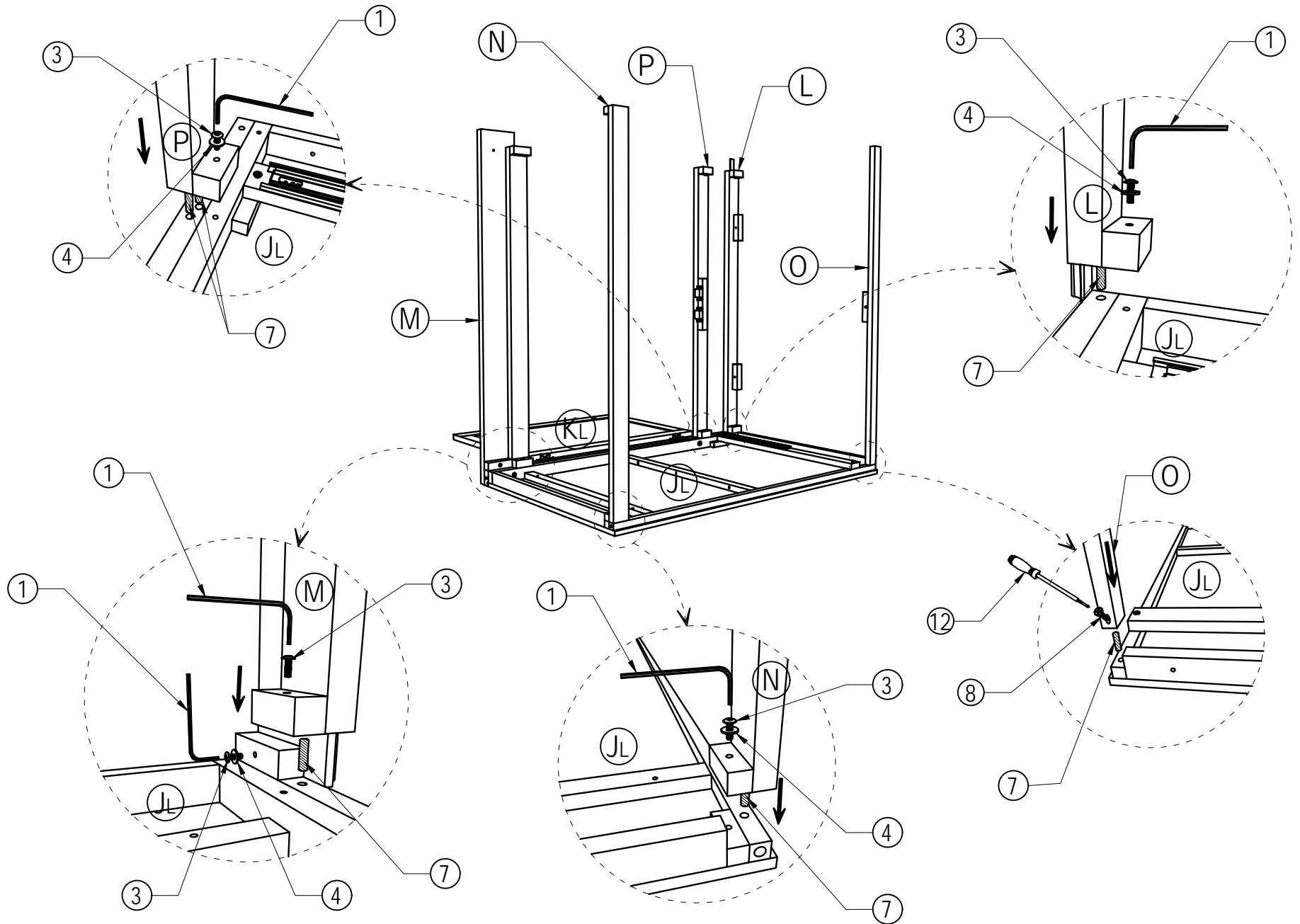


6x16mm
6 pcs



STEP 9

- ① 
1 pc
- ③ 
6x30mm
5 pcs
- ④ 
6x16mm
4 pcs
- ⑦ 
8x30mm
6 pcs
- ⑧ 
5x30mm
1 pc
- ⑫ 
1 pc



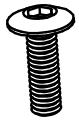
STEP 10

1



1 pc

3

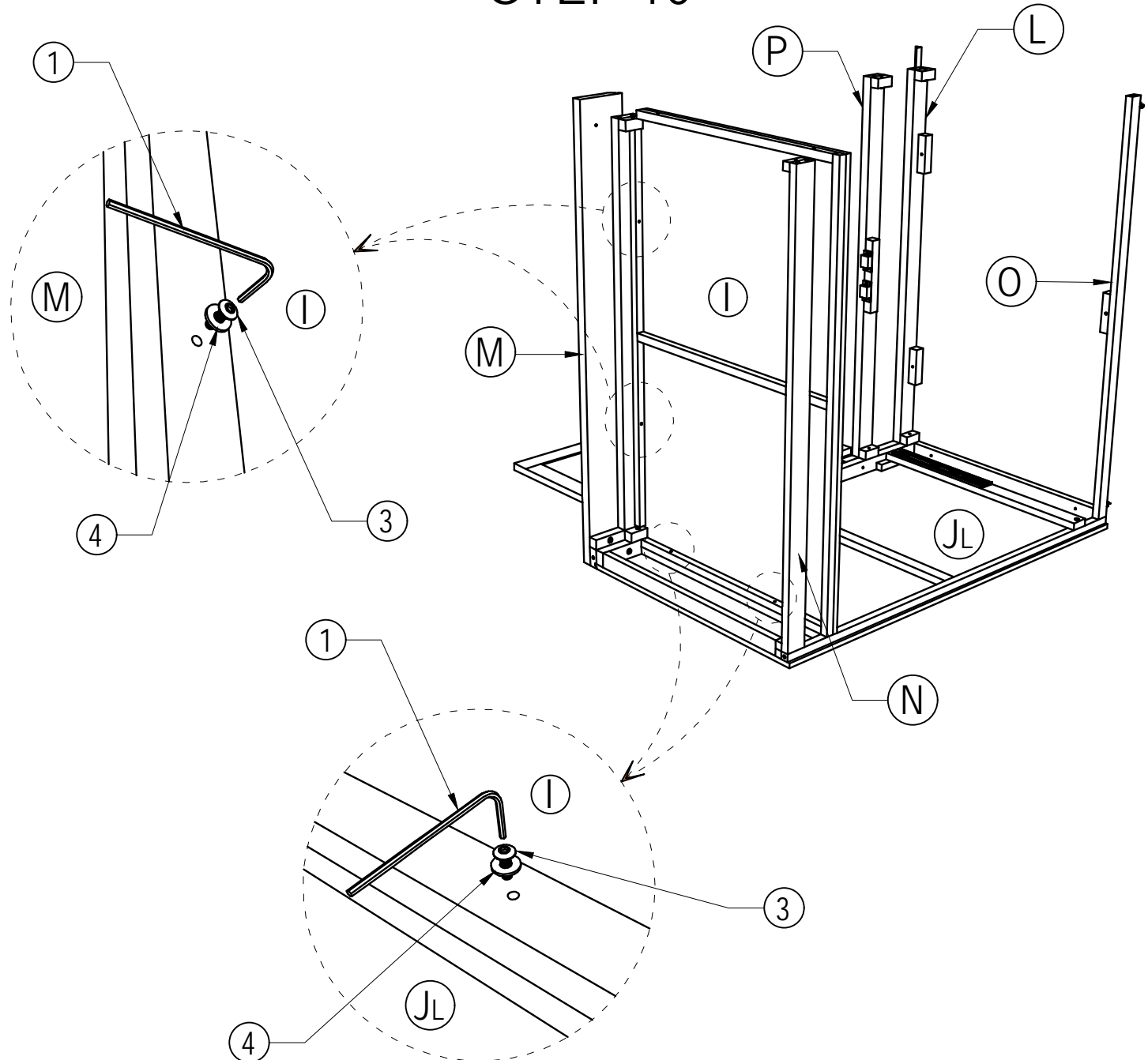


6x30mm
4 pcs




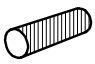


4

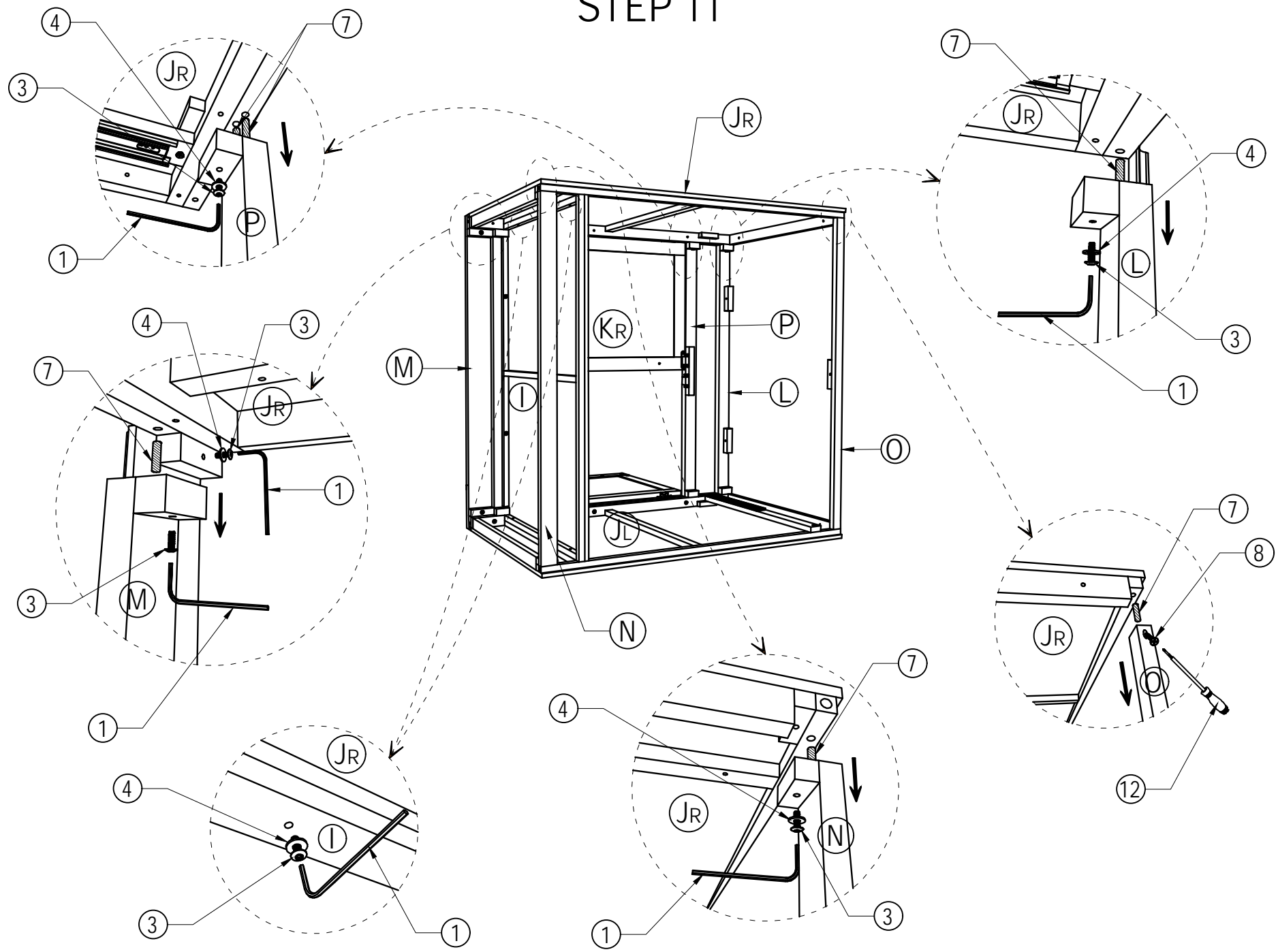


6x16mm
4 pcs

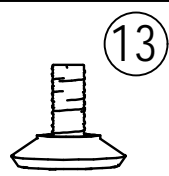


STEP 11

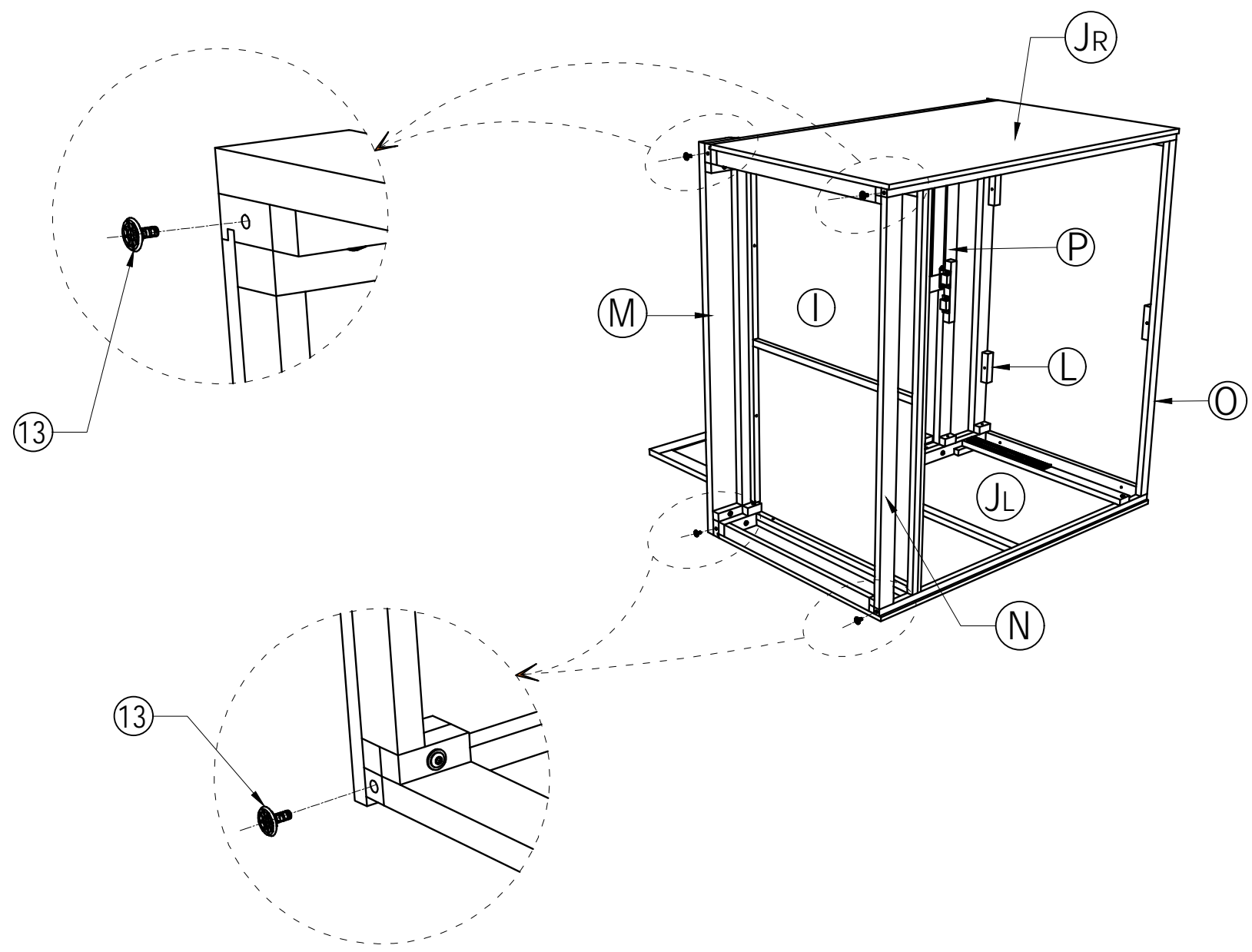
- ① 
1 pc
- ③ 
6x30mm
7 pcs
- ④ 
6x16mm
6 pcs
- ⑦ 
8x30mm
6 pcs
- ⑧ 
5x30mm
1 pc
- ⑫ 
1 pc



STEP 12



15x20mm
4 pcs



STEP 13

1



1 pc

3



6x30mm
7 pcs

4



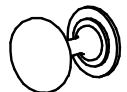
6x16mm
7 pcs

5

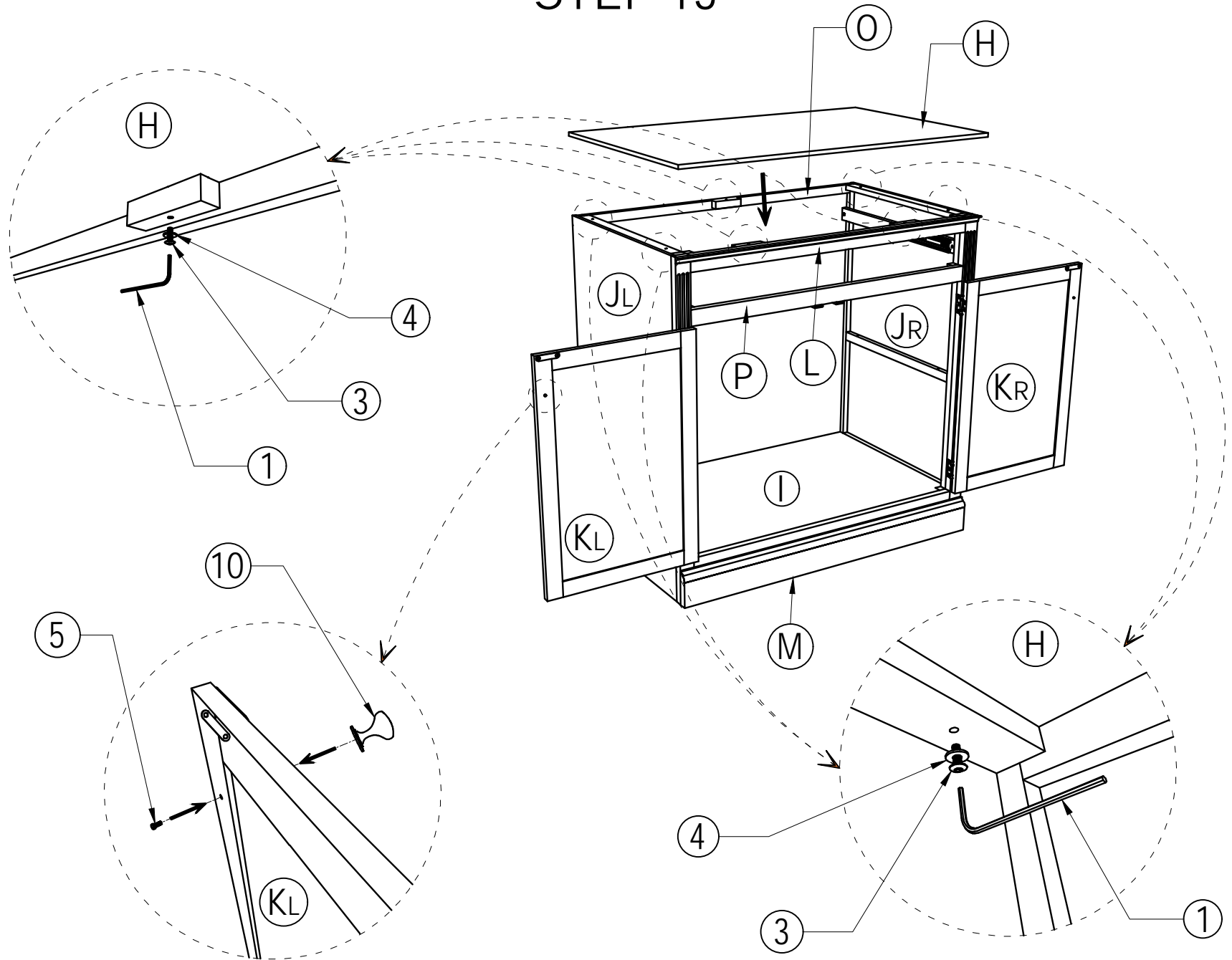


4x25mm
2 pcs

10



2 pcs



STEP 14

16

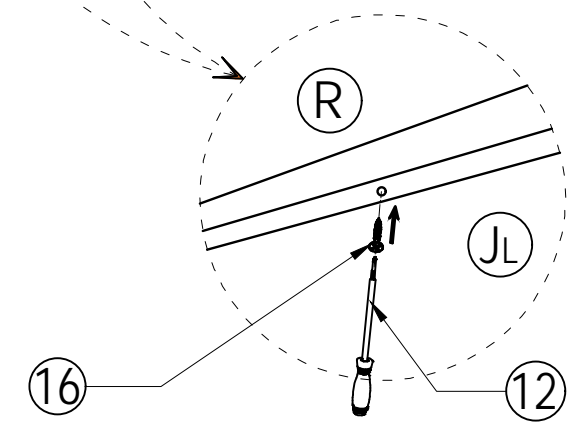
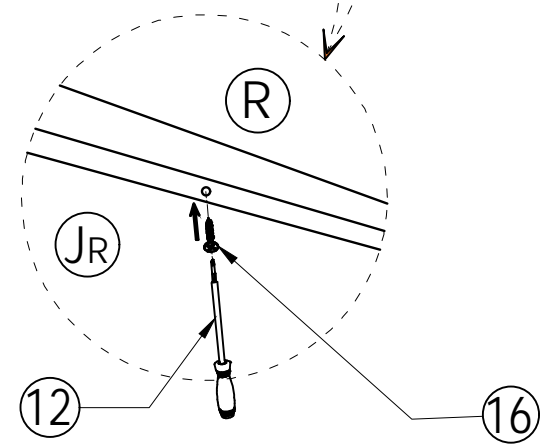
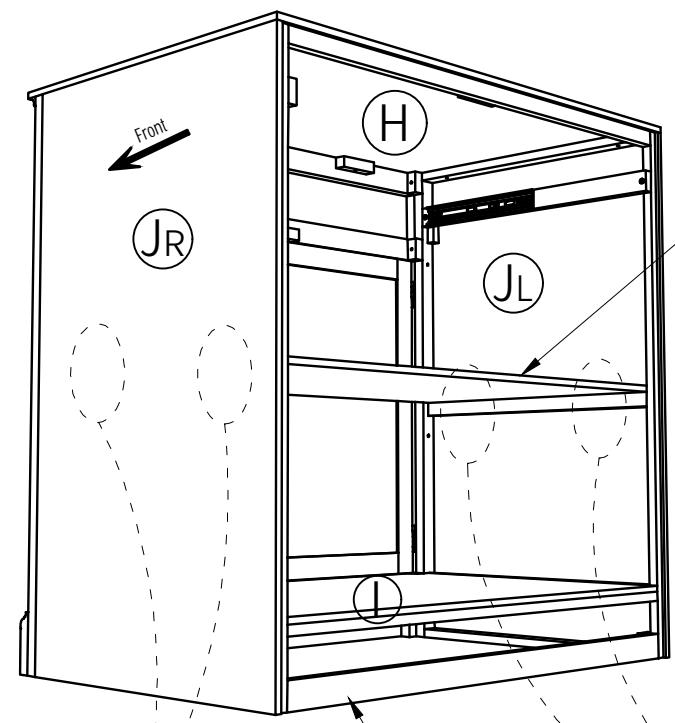


4x25mm
4 pcs

12



1 pc



STEP 15

2

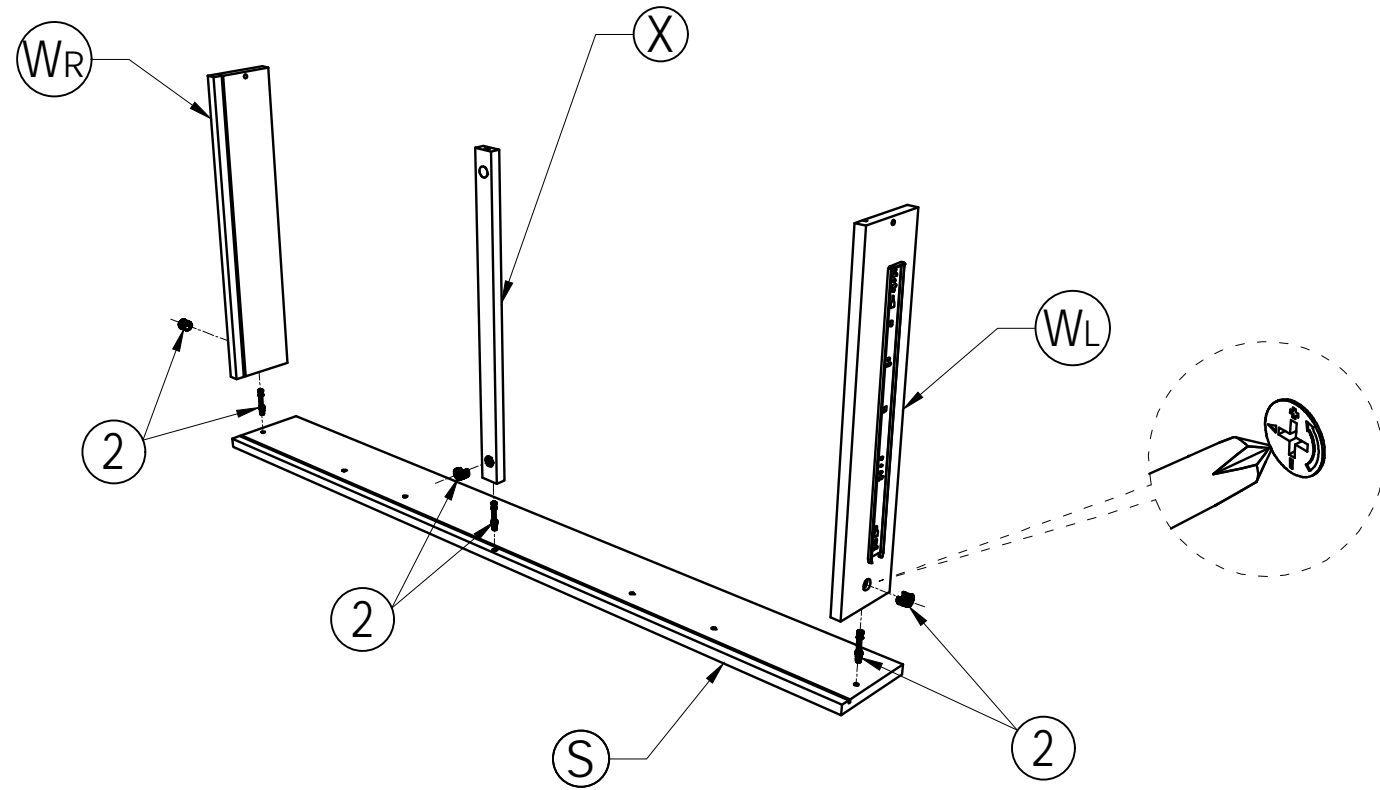


3 pcs

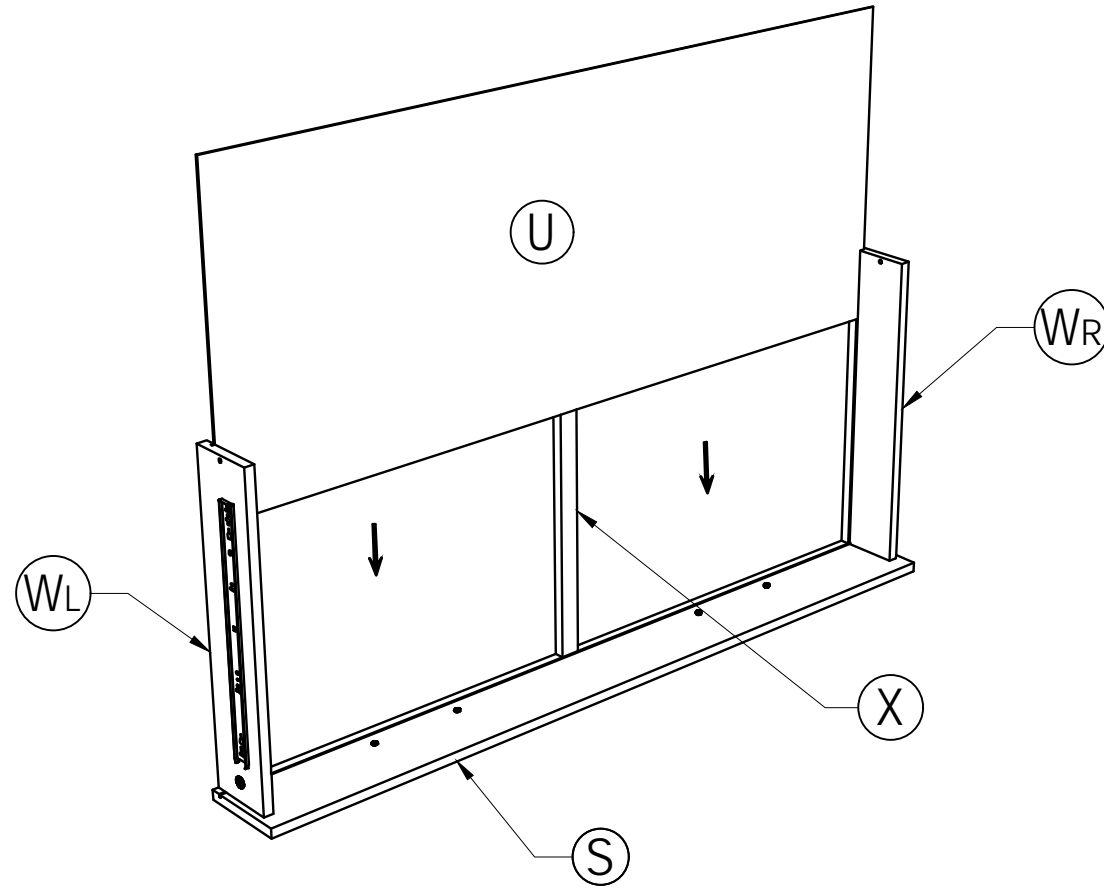
12



1 pc



STEP 16



STEP 17

2



1 pc

8

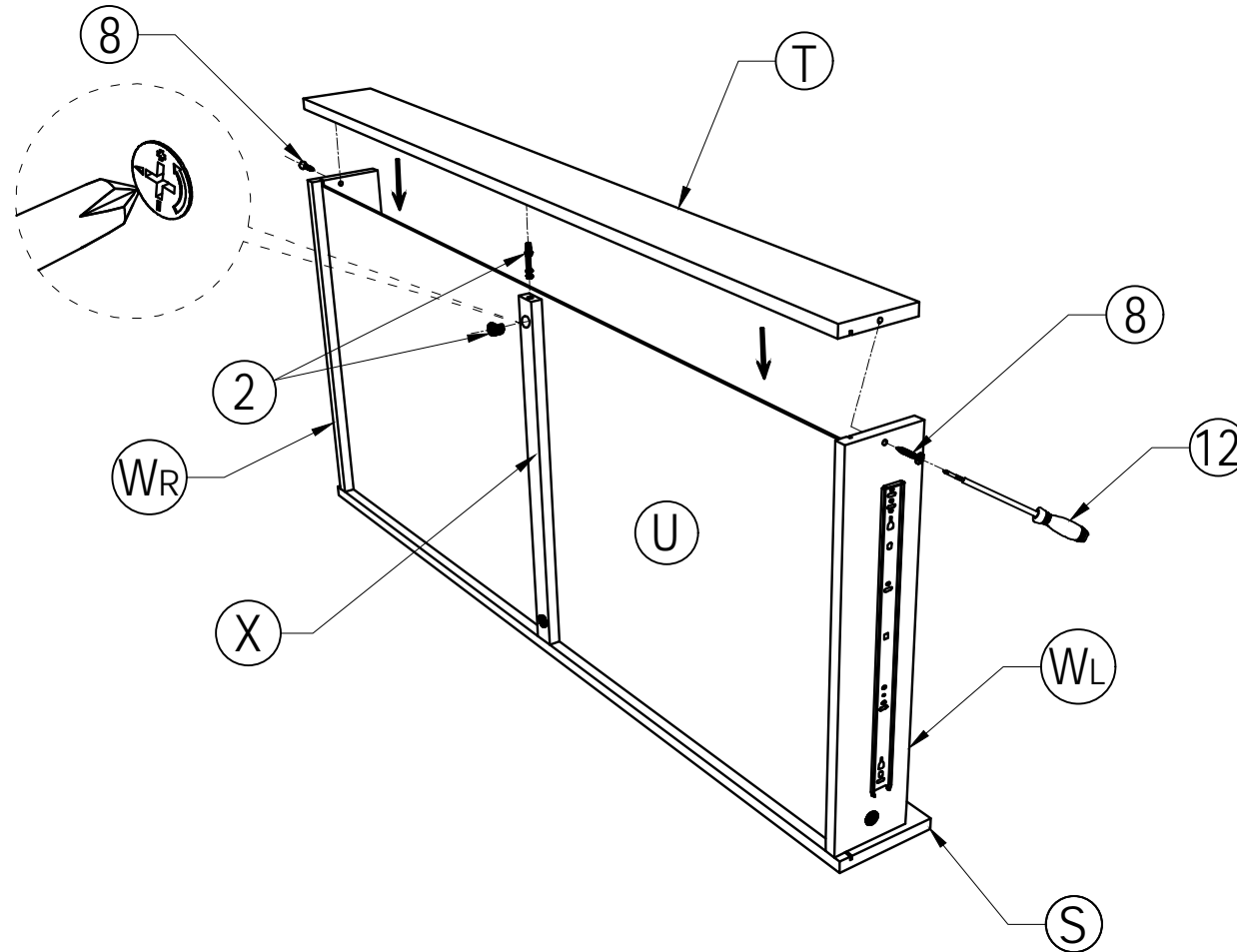


5x30mm
2 pcs

12



1 pc



6



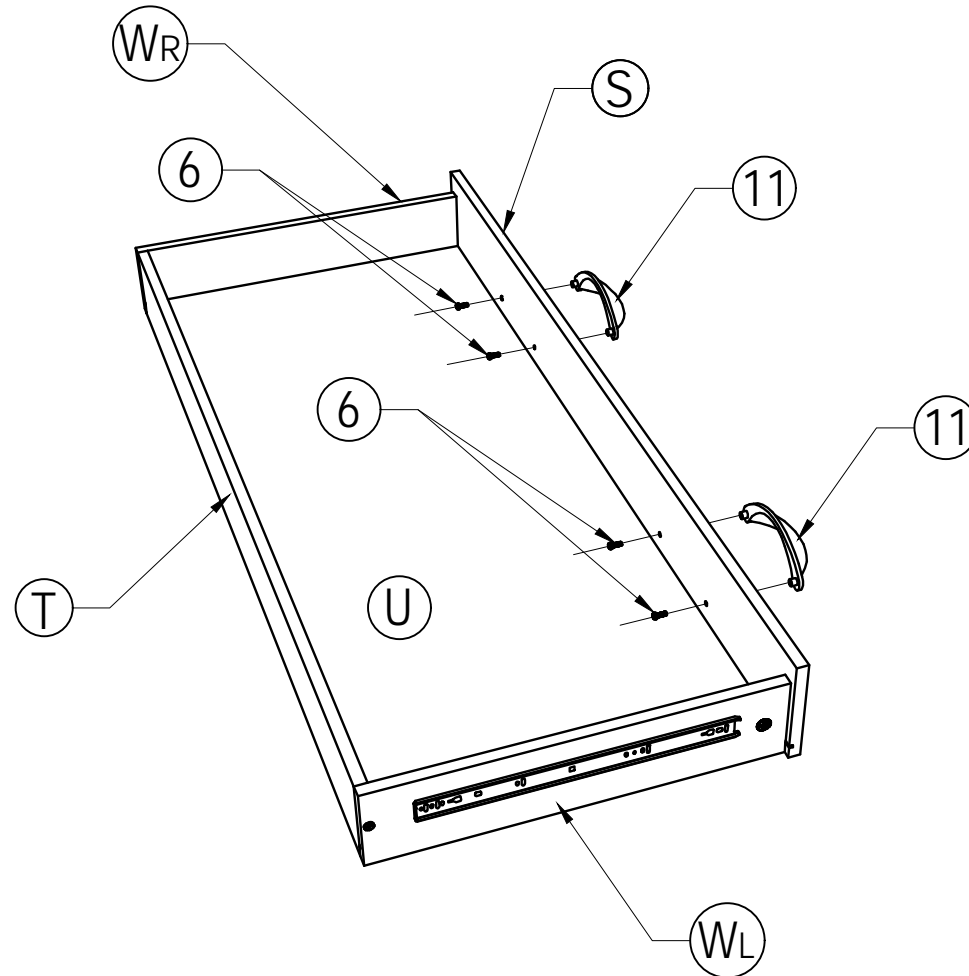
4x15mm
4 pcs

11

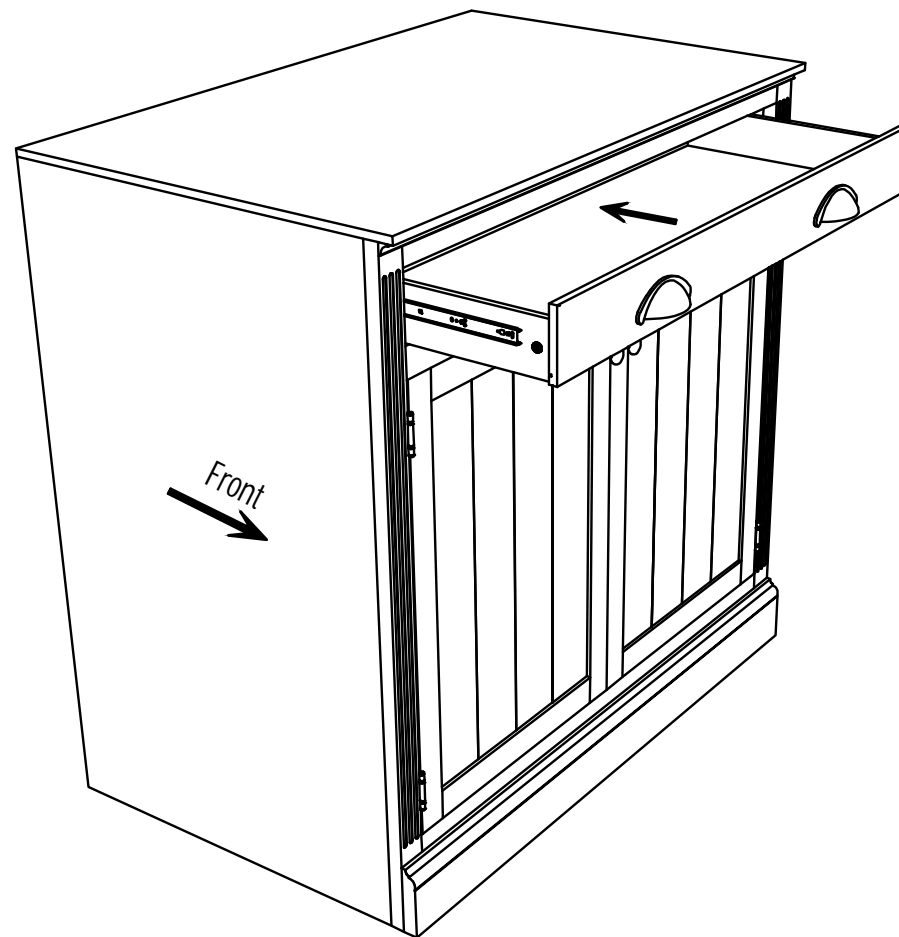


Quantity:
2 pcs

STEP 18



STEP 19



STEP 20

9

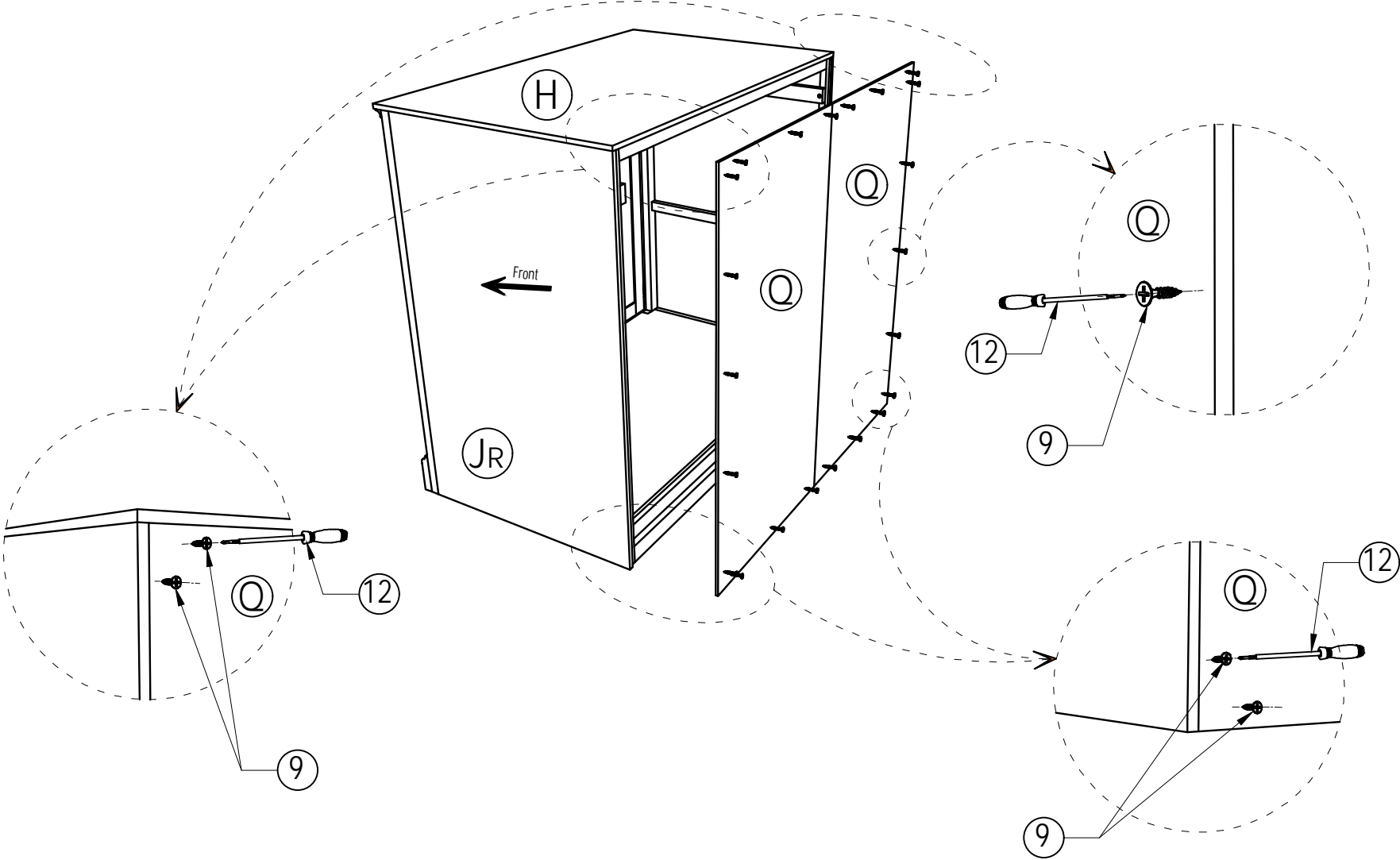


3x15mm
22 pcs

12



1 pc



STEP 21

14



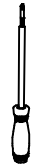
20x80mm
2 pcs

15

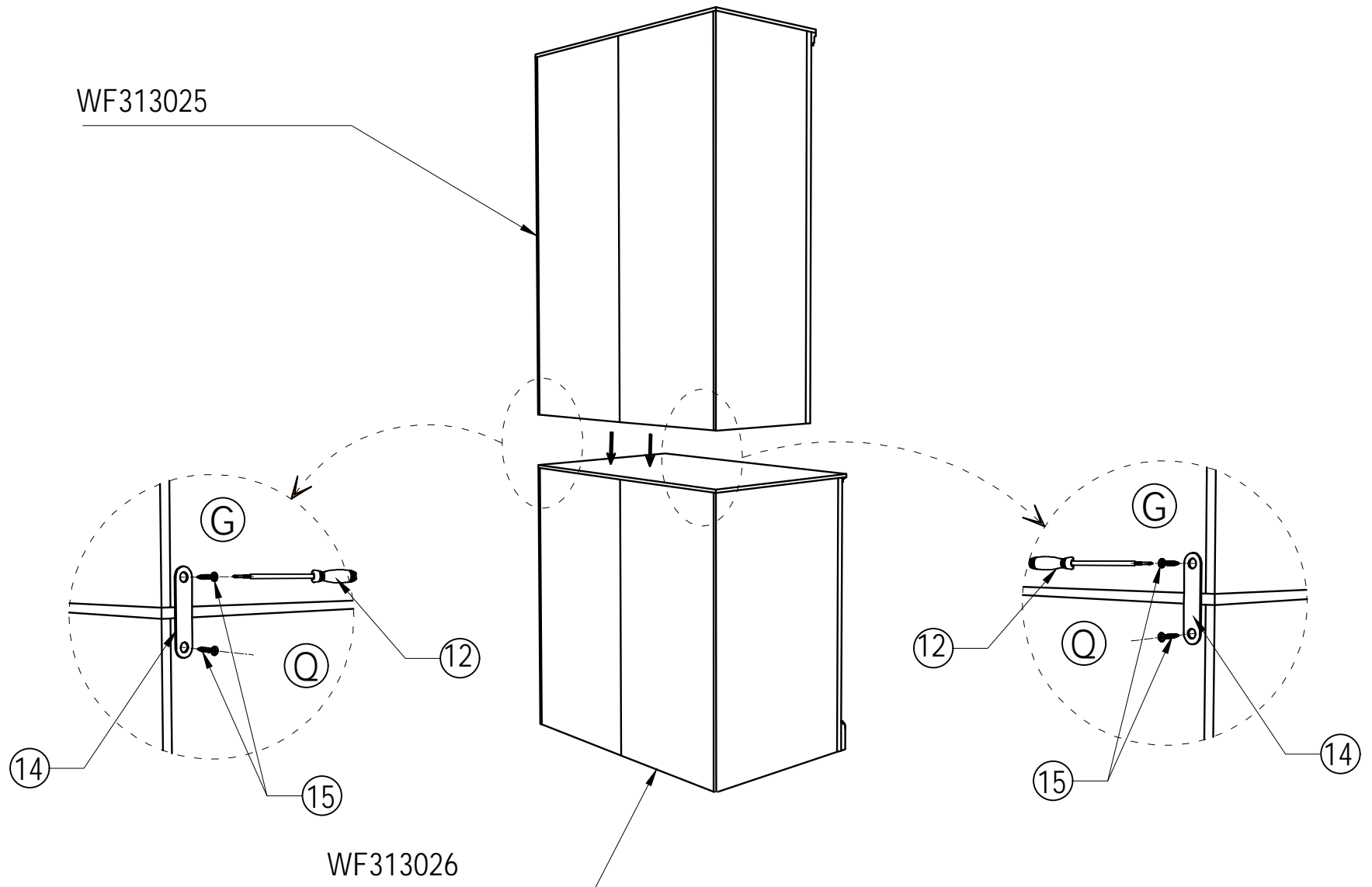


4x20mm
4 pcs

12

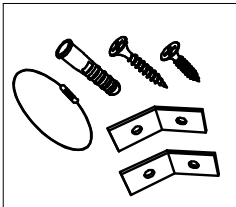


1 pc



18

STEP 22



2 SET

