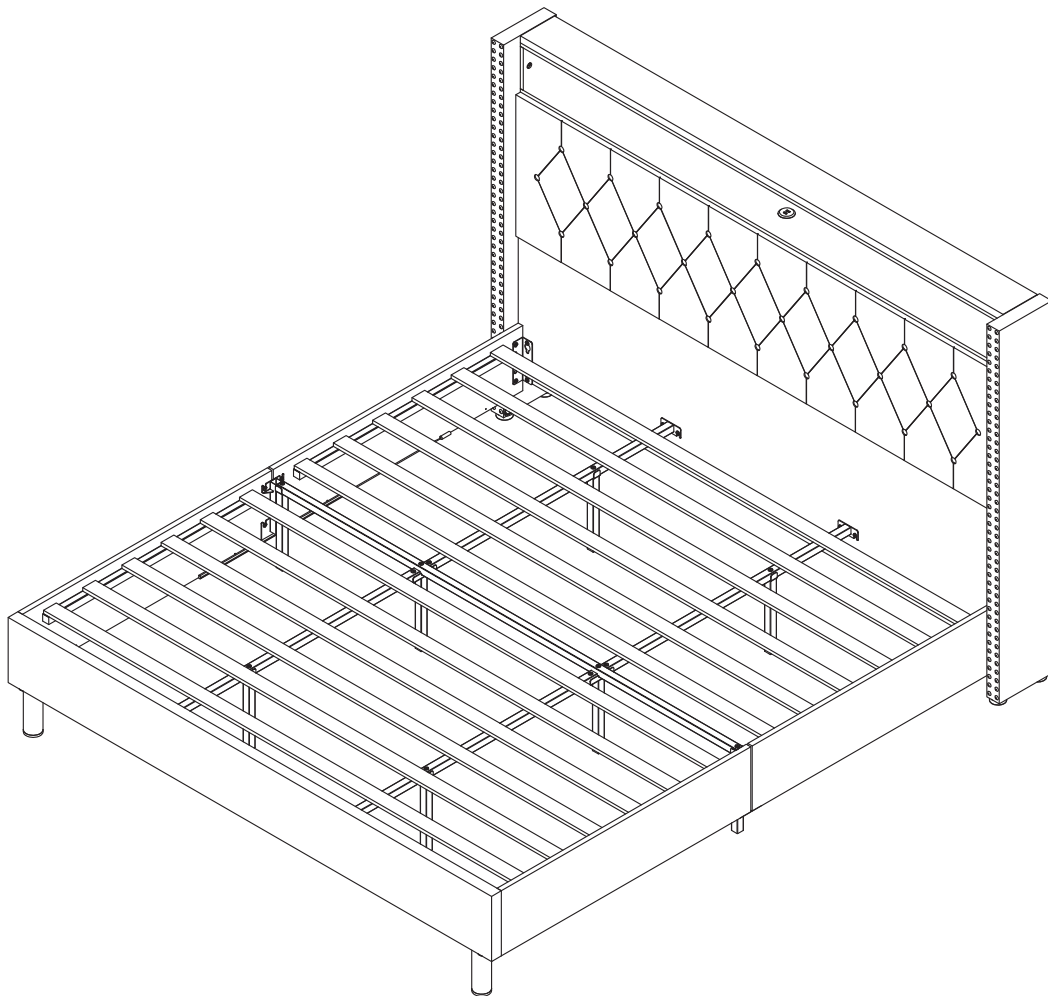


## Multi-function Storage Bed Frame with LED Light Strip

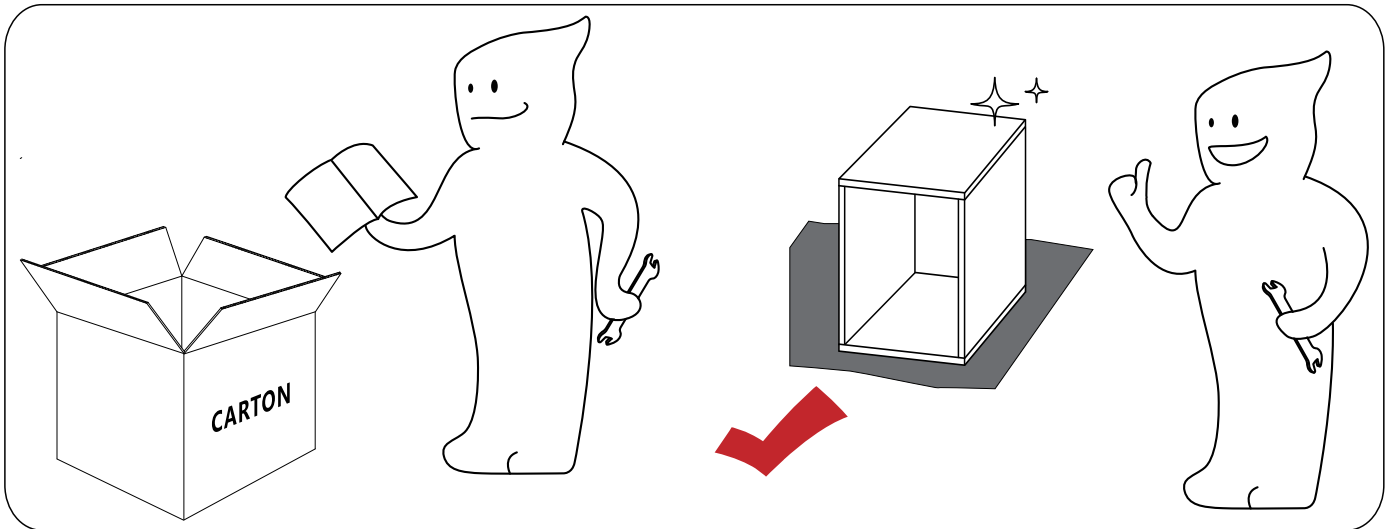
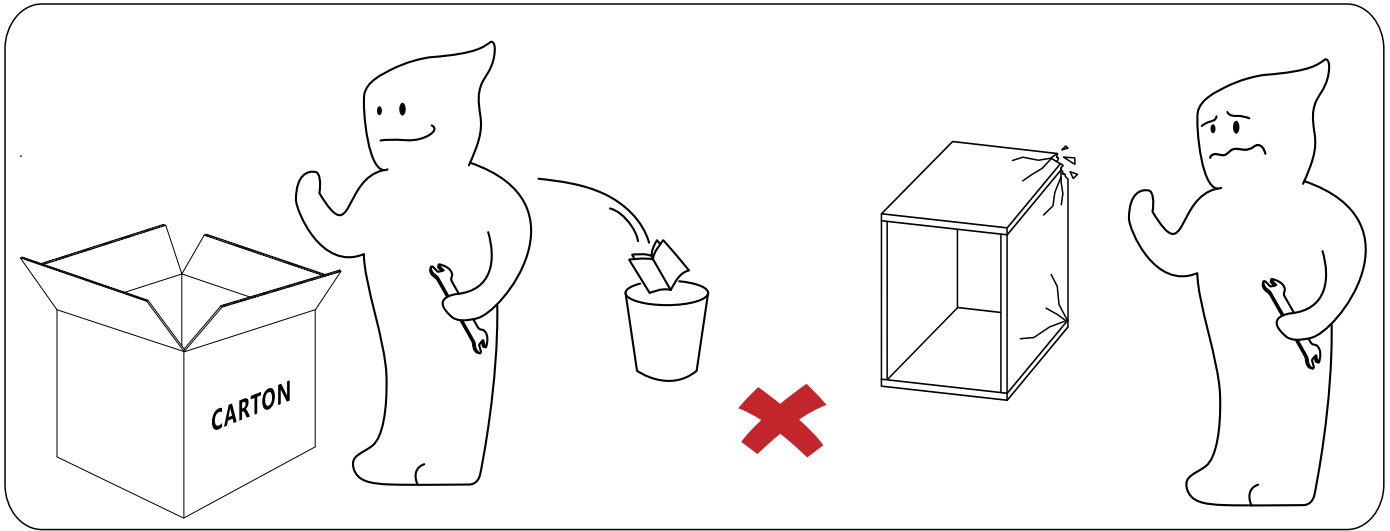


### **Friendly Customer Service**

Satisfaction Guarantees: Any problems with assembly, quality, or return, please feel free to contact us directly.

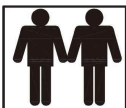
## ! IMPORTANT

Please follow the instruction manuals and use a pad to protect the product during your assembly.



**Note:**

1. Should be assembled on soft surface to keep balance.



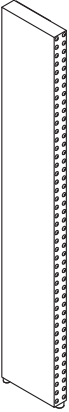
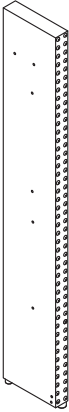
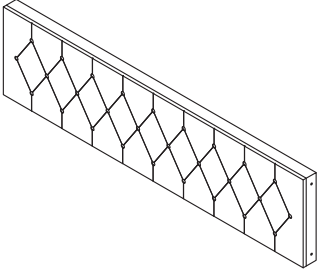
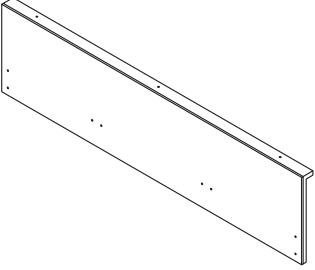
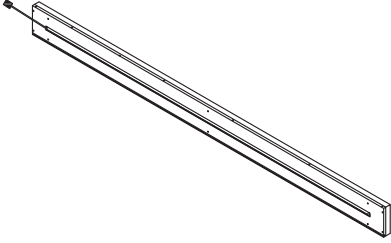
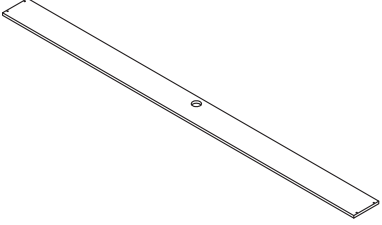
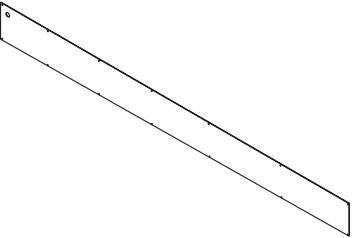
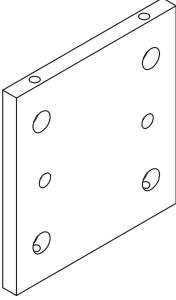
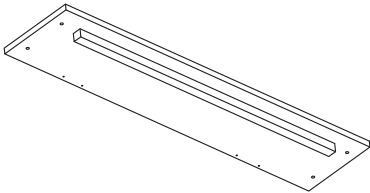
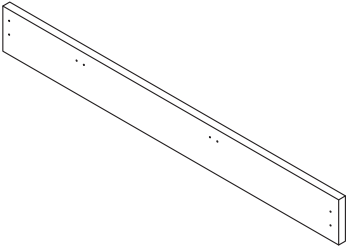
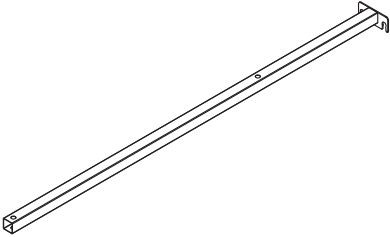
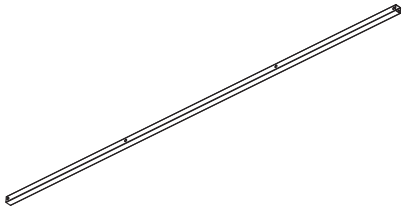
Recommend 2 or more adults for quicker assembly.



Take 2 adults about 3 hours to finish assembly.

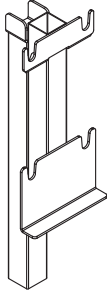
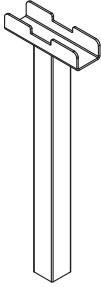
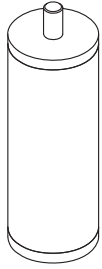
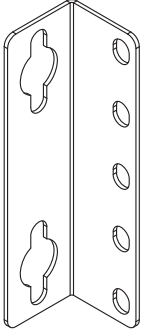
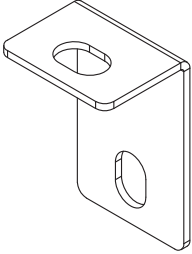
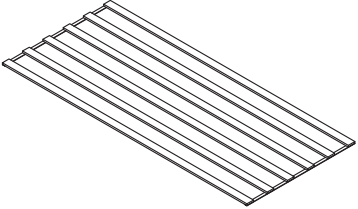
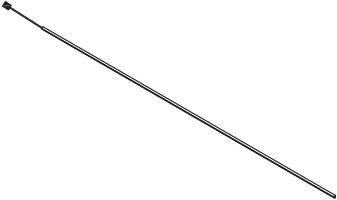

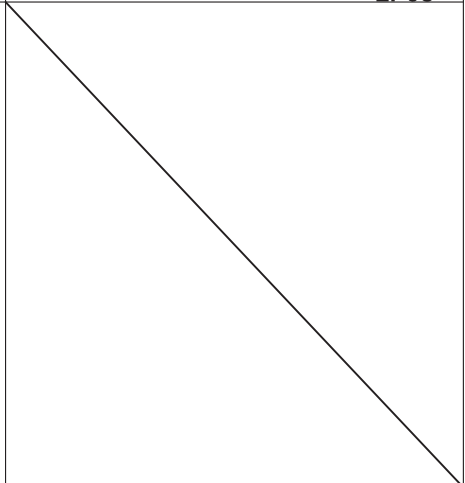

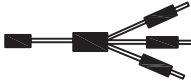
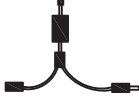

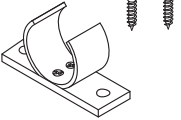
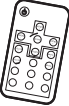
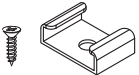

# ASSEMBLY INSTRUCTIONS

## PARTS LIST

<p>①</p>  <p>1PCS</p>	<p>②</p>  <p>1PCS</p>	<p>③</p>  <p>1PCS</p>
<p>④</p>  <p>1PCS</p>	<p>⑤</p>  <p>1PCS</p>	<p>⑥</p>  <p>1PCS</p>
<p>⑦</p>  <p>1PCS</p>	<p>⑧</p>  <p>2PCS</p>	<p>⑨</p>  <p>4PCS</p>
<p>⑩</p>  <p>1PCS</p>	<p>⑪</p>  <p>4PCS</p>	<p>⑫</p>  <p>1PCS</p>

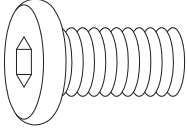
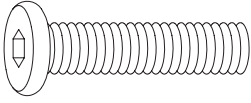
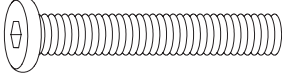
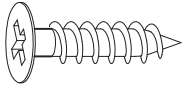
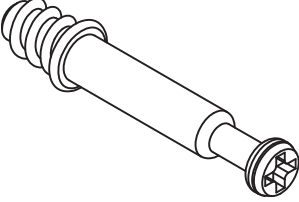
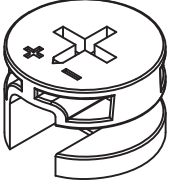
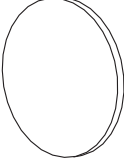
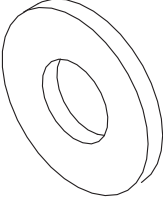
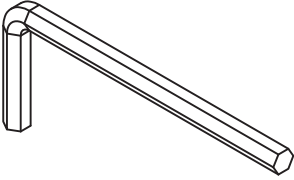
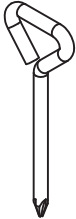
# ASSEMBLY INSTRUCTIONS

## PARTS LIST

<p>⑬</p>  <p>2PCS</p>	<p>⑭</p>  <p>2PCS</p>	<p>⑮</p>  <p>2PCS</p>	
<p>⑯</p>  <p>4PCS</p>	<p>⑰</p>  <p>4PCS</p>	<p>⑱</p>  <p>2PCS</p>	
<p>⑲</p>  <p>2PCS</p>	<p>⑳</p>  <p>4PCS</p>		
<p>㉑</p>			
<p>21-1</p>  <p>1PCS</p>	<p>21-2</p>  <p>1PCS</p>	<p>21-3</p>  <p>2PCS</p>	<p>21-4</p>  <p>1PCS</p>
<p>21-5</p>  <p>2PCS</p>	<p>21-6</p>  <p>1PCS</p>	<p>21-7</p>  <p>4+1PCS</p>	<p>21-8</p>  <p>6+2PCS</p>

# ASSEMBLY INSTRUCTIONS

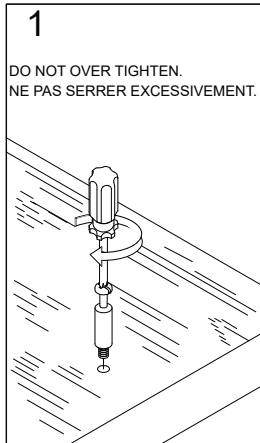
## PARTS LIST

<p><b>A</b></p>  <p>M8x15</p> <p>40+2PCS</p>	<p><b>B</b></p>  <p>M8x35</p> <p>14+1PCS</p>	<p><b>C</b></p>  <p>M8x50</p> <p>9+1PCS</p>
<p><b>D</b></p>  <p>Ø4*20</p> <p>14+1PCS</p>	<p><b>E</b></p>  <p>Ø5*35</p> <p>8+1PCS</p>	<p><b>F</b></p>  <p>Ø15*9.5</p> <p>8+1PCS</p>
<p><b>G</b></p>  <p>Ø21</p> <p>4+1PCS</p>	<p><b>H</b></p>  <p>7+1PCS</p>	<p><b>I</b></p>  <p>1PCS</p>
<p><b>J</b></p>  <p>1PCS</p>		

## Using Camlocks

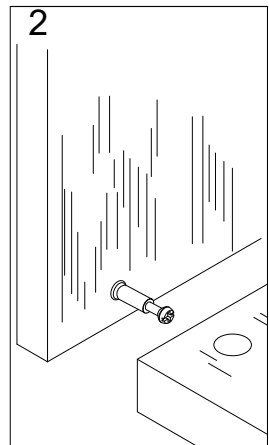
### Step 1

Connect the male camlock as directed in the assembly instructions using a screwdriver.



### Step 2

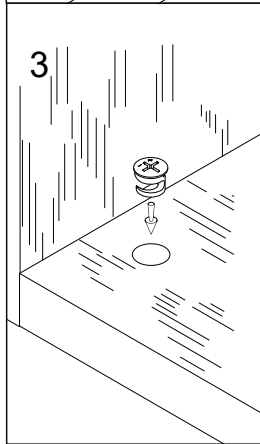
Push the male camlock into the entry hole.



### Step 3

Insert the female camlock as shown in the instructions.

Note: ensure that the arrow on the top of the camlock points towards the entry hole for the male camlock.

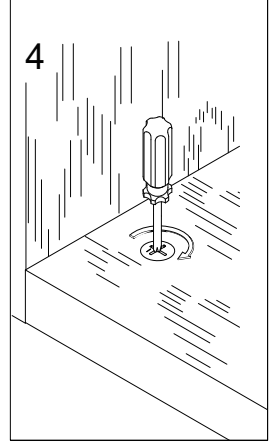


### Step 4

Turn the female camlock clockwise with a screwdriver.

You should feel a click when the camlock is locked in place.

The joint is now secure.



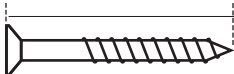
### Tools required



Phillips screwdriver  
(medium & large)

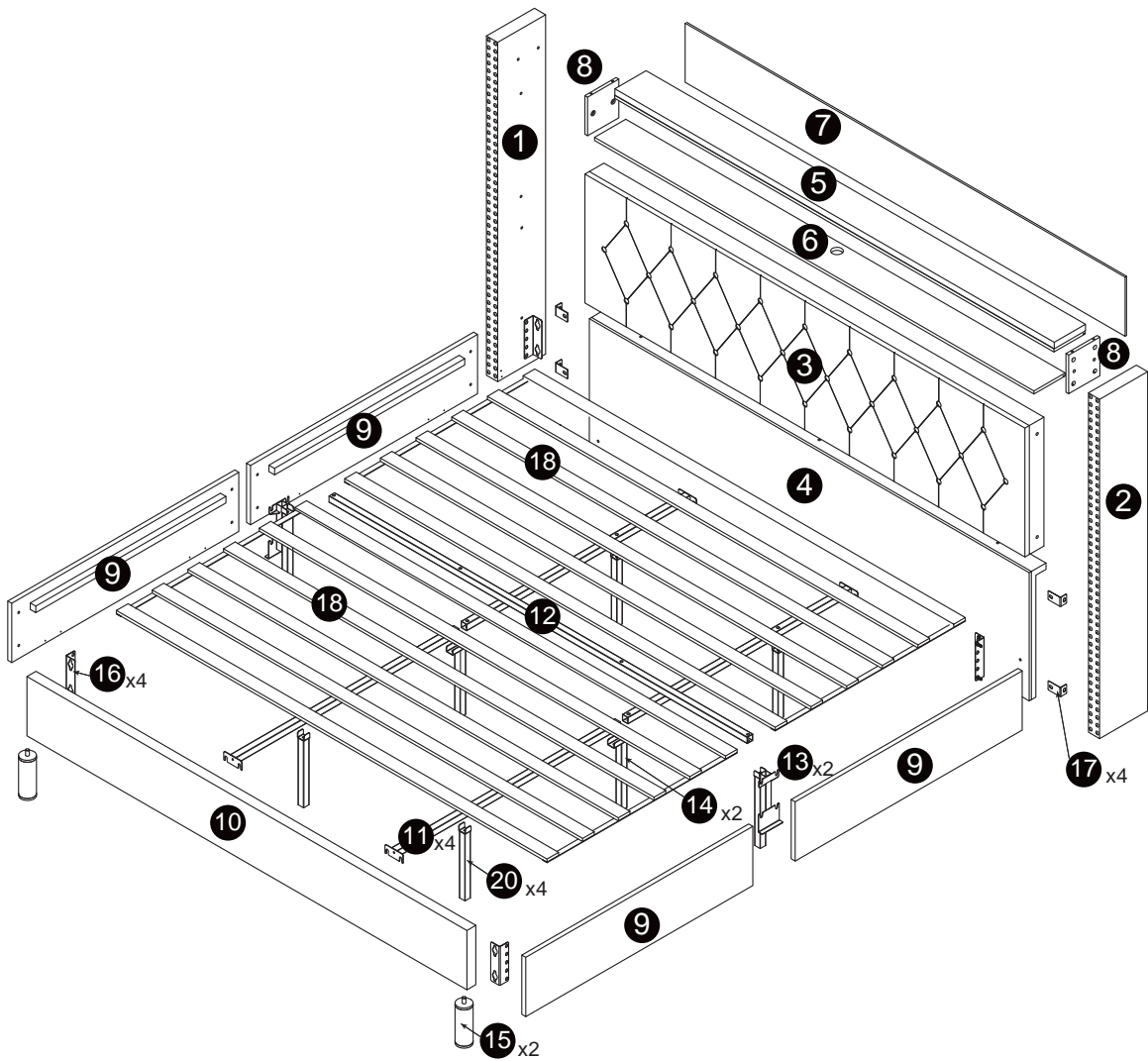
### Ruler - Use this ruler to help correctly identify the screws

0 5 10 15 20 25 30 35 40 45 50 55 60 65 70 75 80 85 90 95 100 105 110 115 120 125 130 135 140 145 150 155 160 165 170



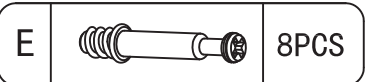
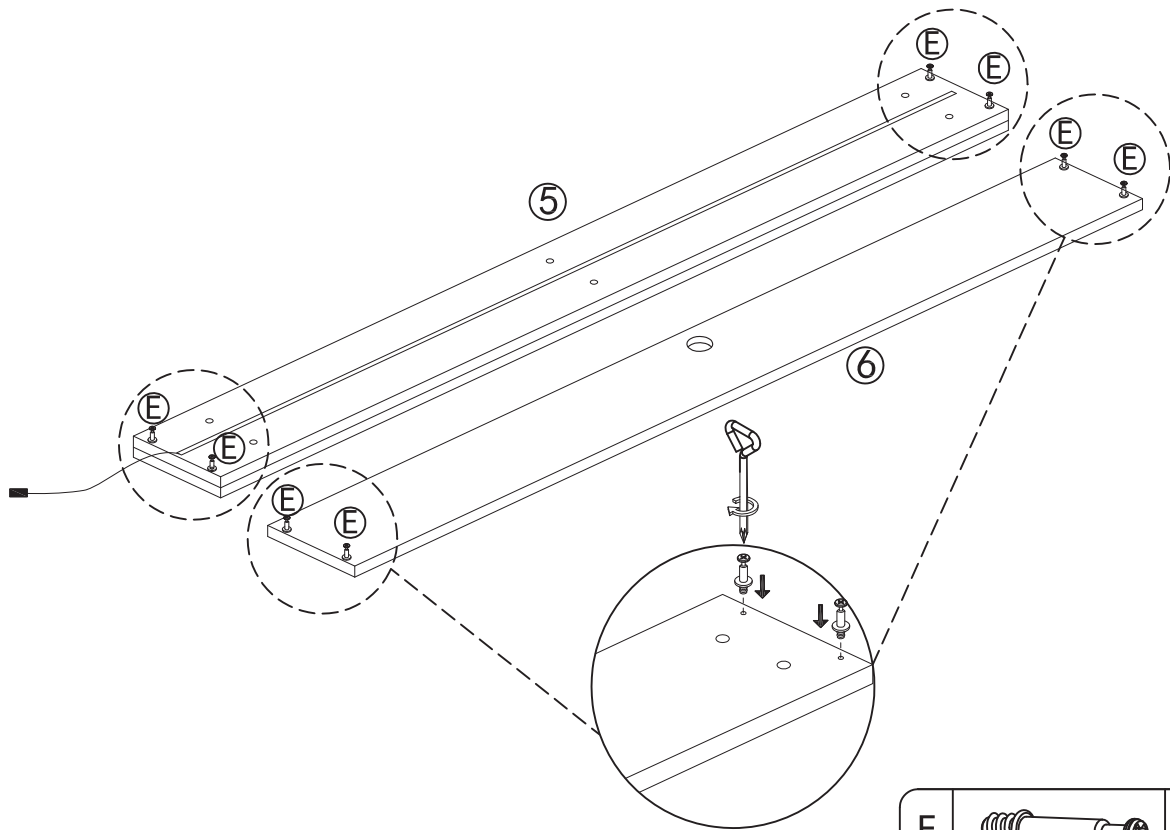
The screws length is measured from the head to the point (30mm screw shown).

# ASSEMBLY INSTRUCTIONS

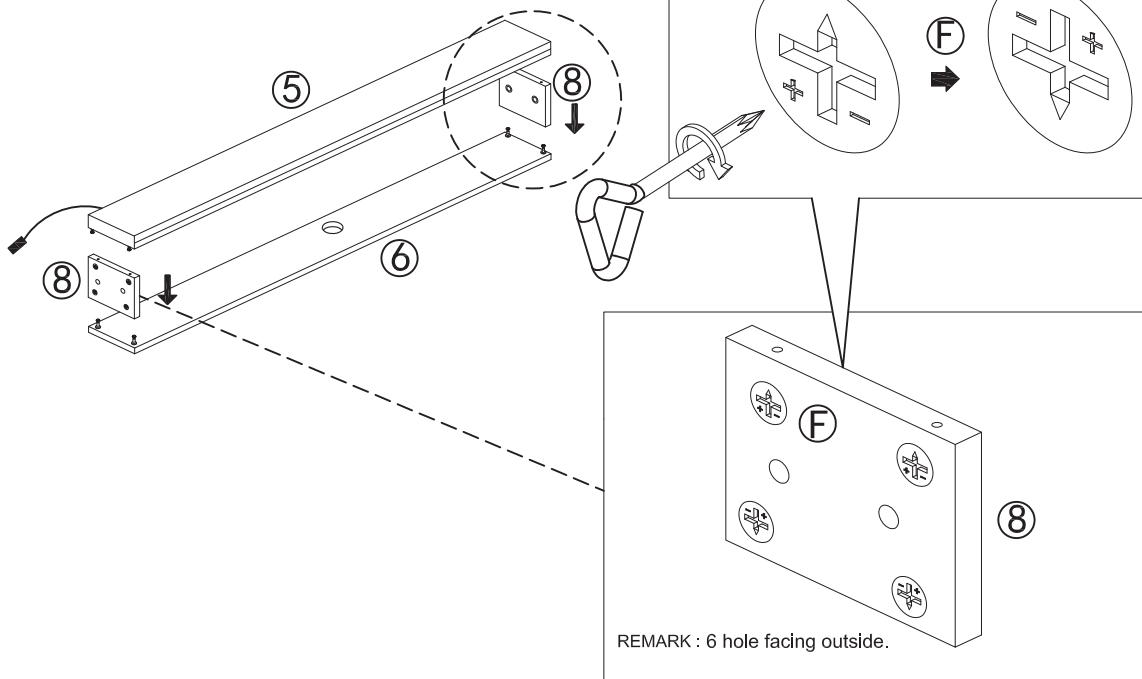
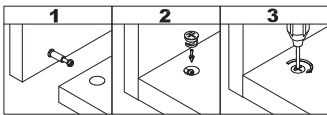


# ASSEMBLY INSTRUCTIONS

1

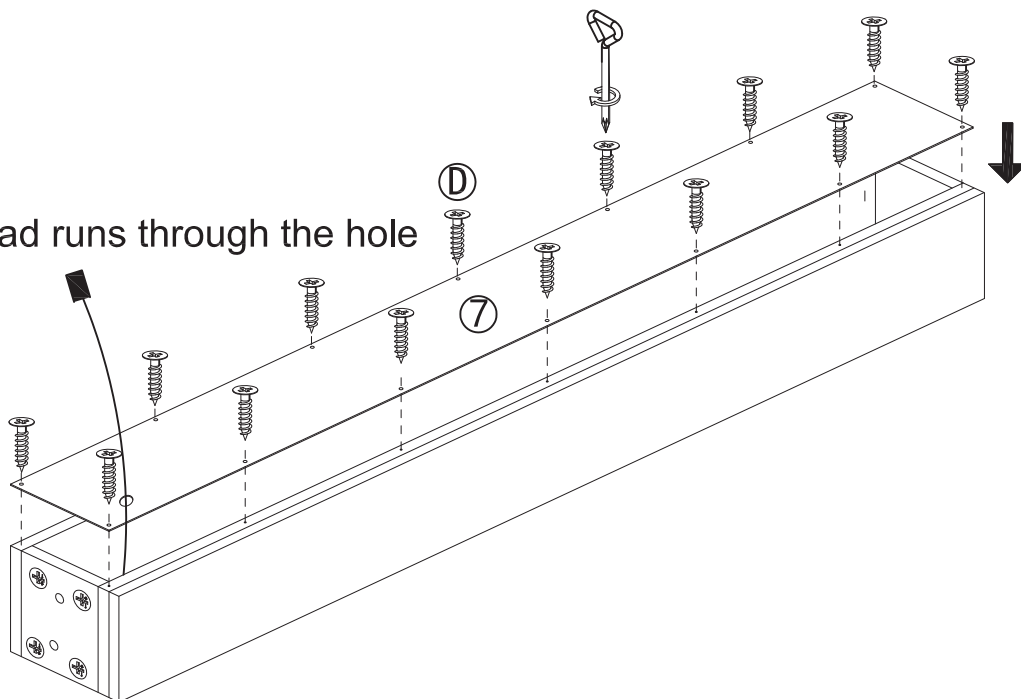



2



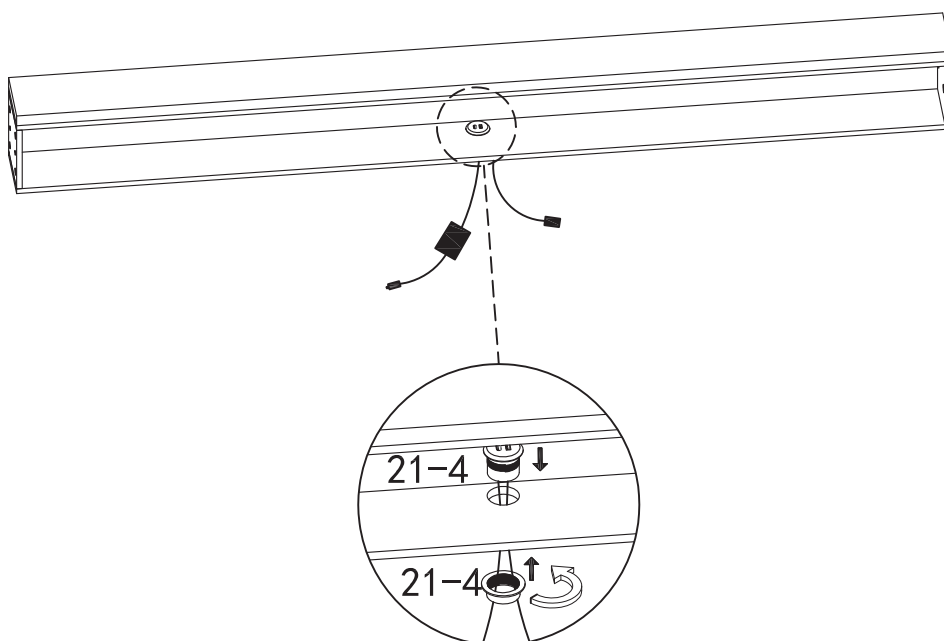
3

The thread runs through the hole

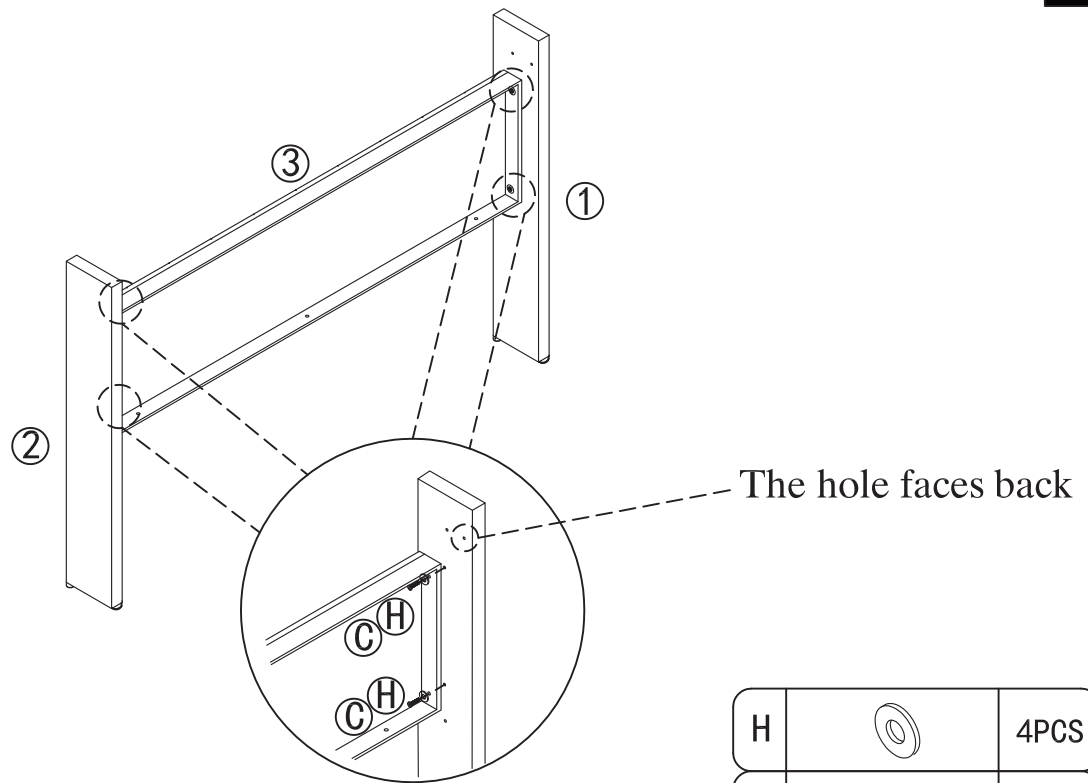



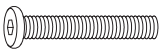
D		14PCS
---	---	-------

4



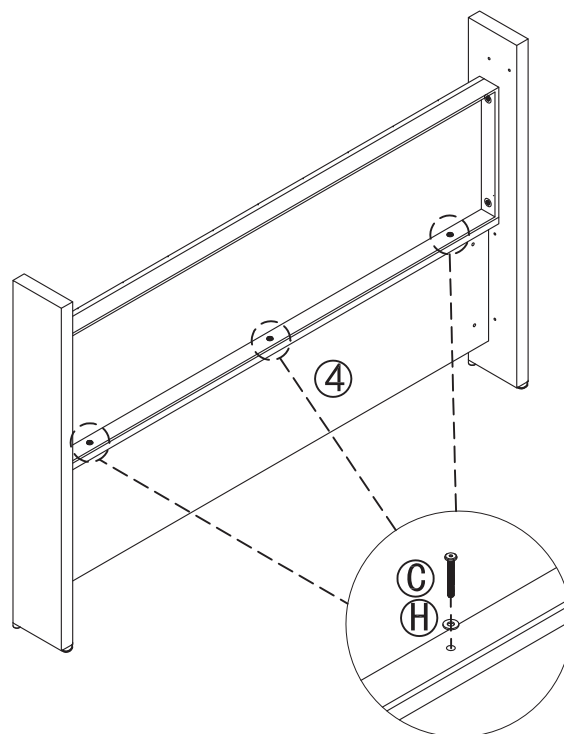
5


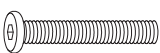


H		4PCS
C		4PCS

Back Side

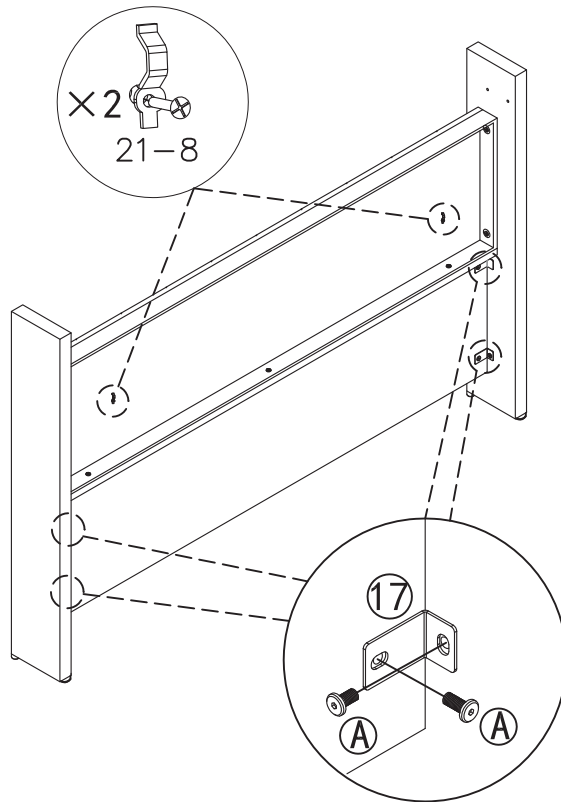
6



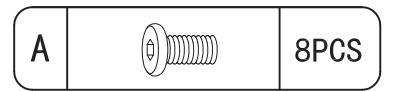
H		3PCS
C		3PCS

Back Side

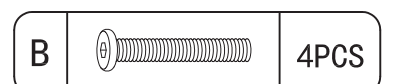
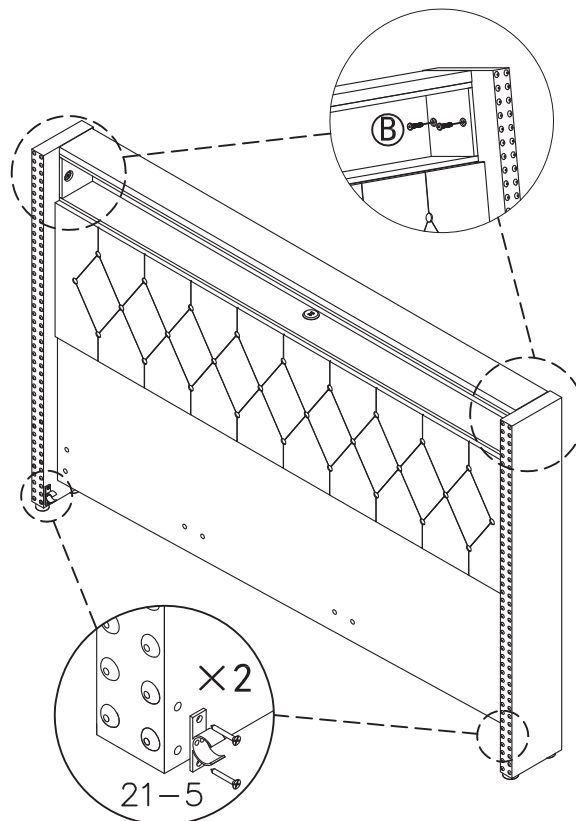
7



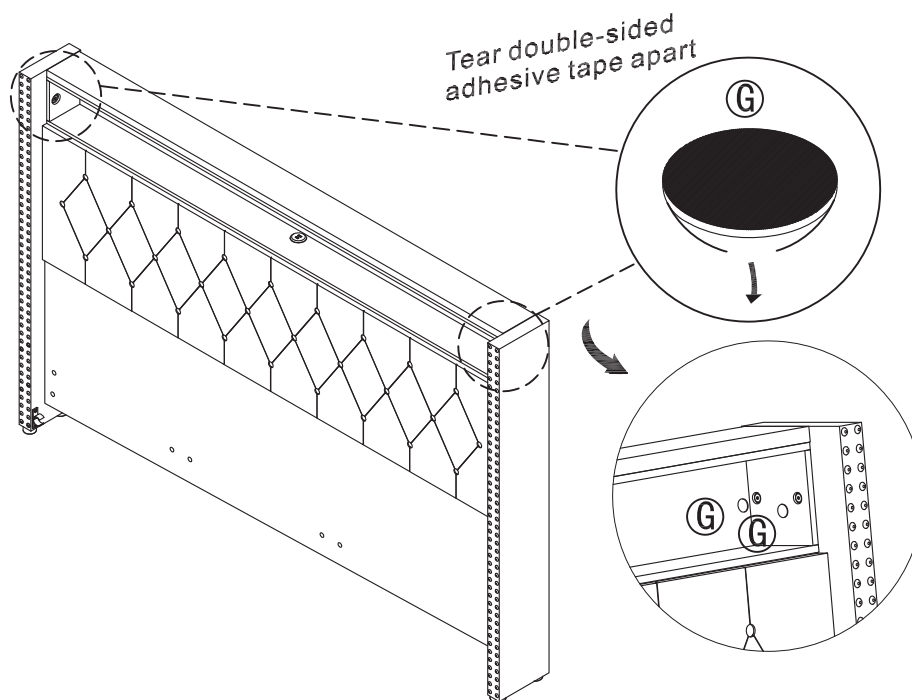
Back Side




8

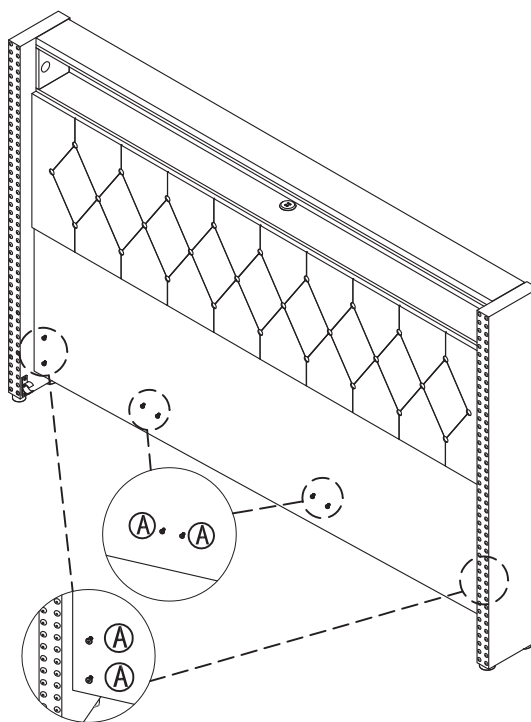


9

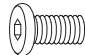


G		4PCS
---	---	------

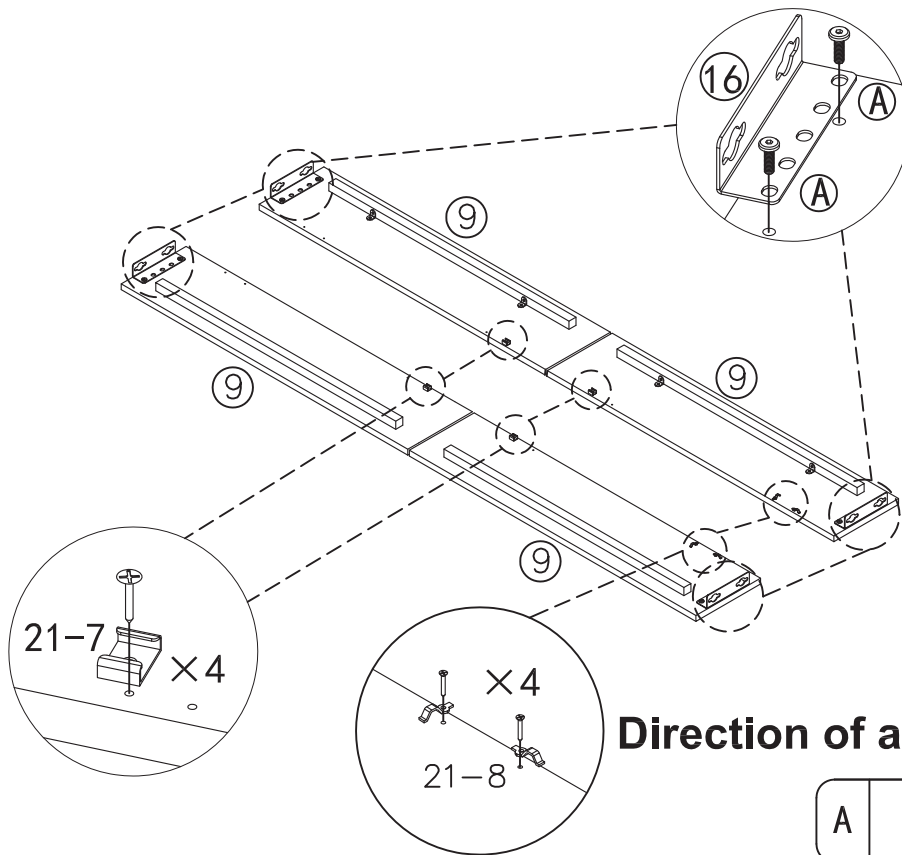
10



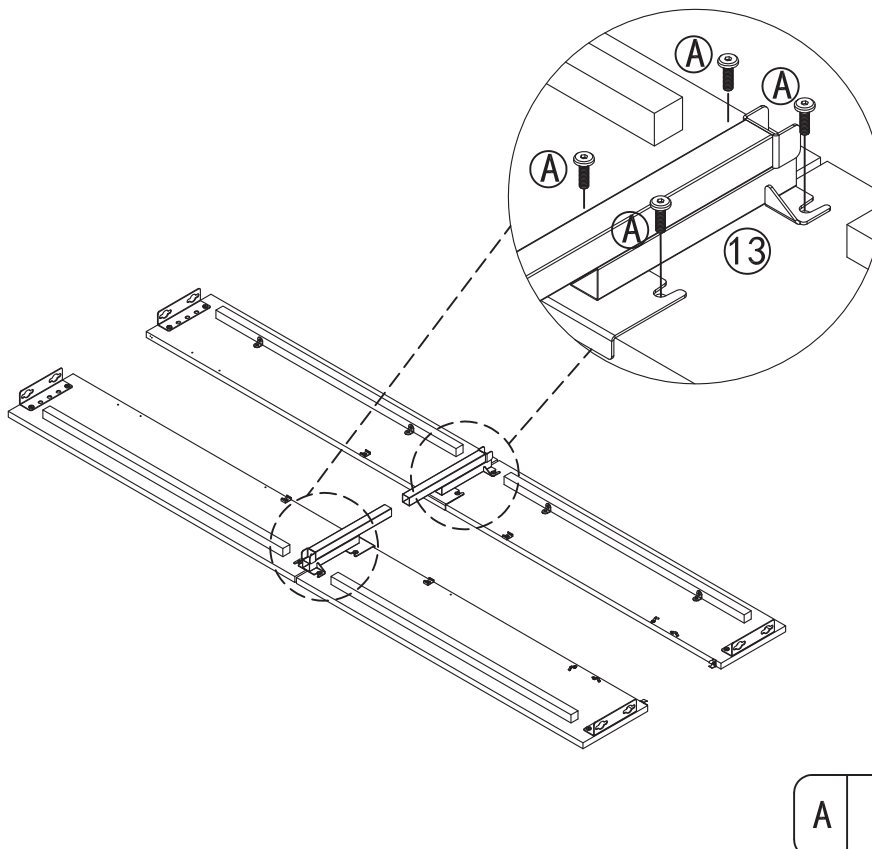
**Pre-locking screw "A"**

A		8PCS
---	---	------

11

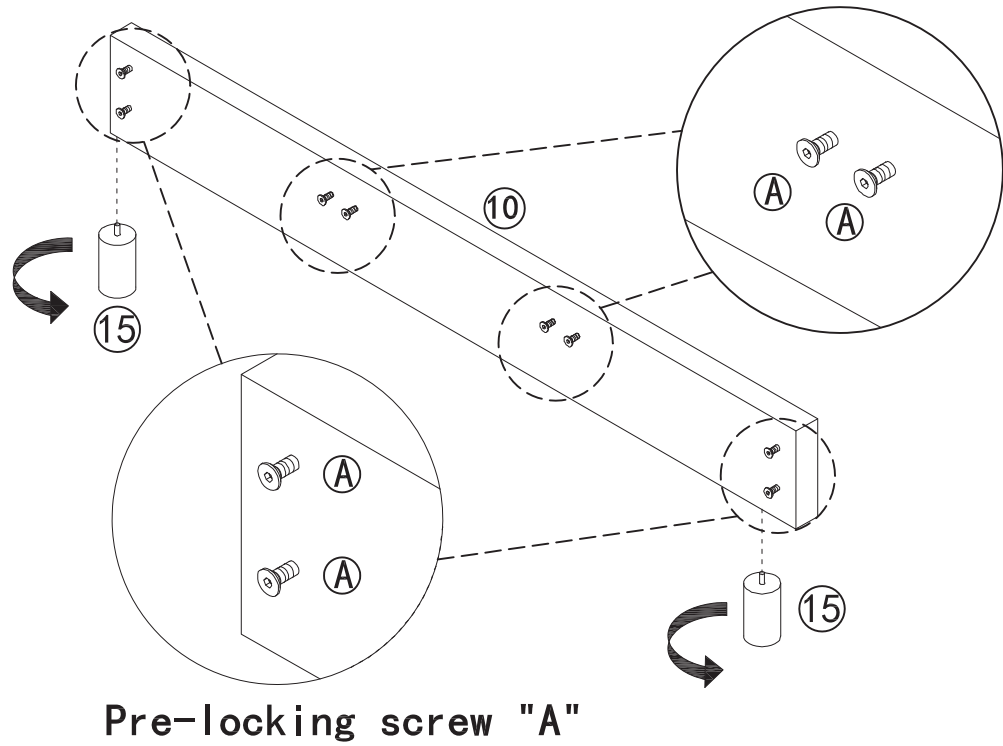


12

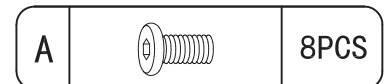


## Pre-locking screw "A"

13

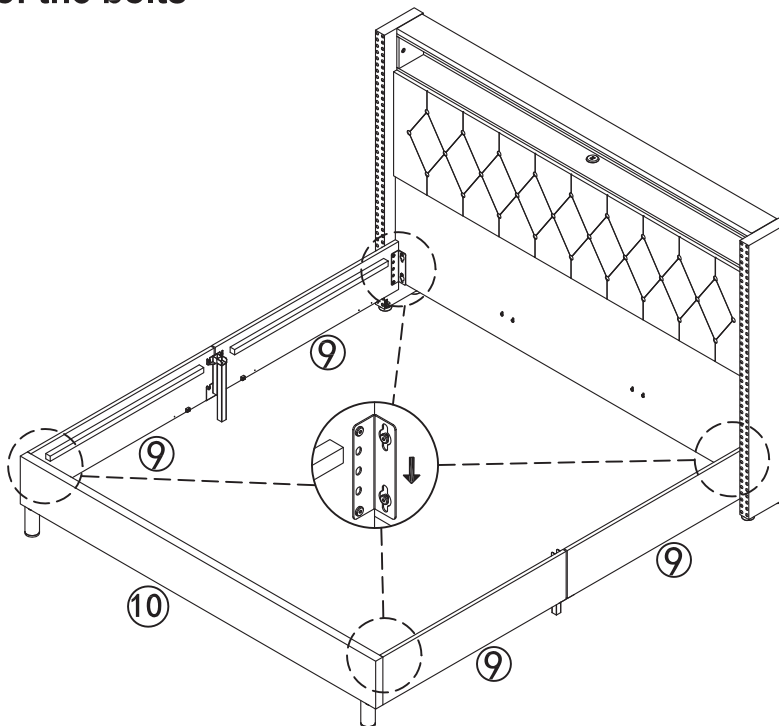


Pre-locking screw "A"

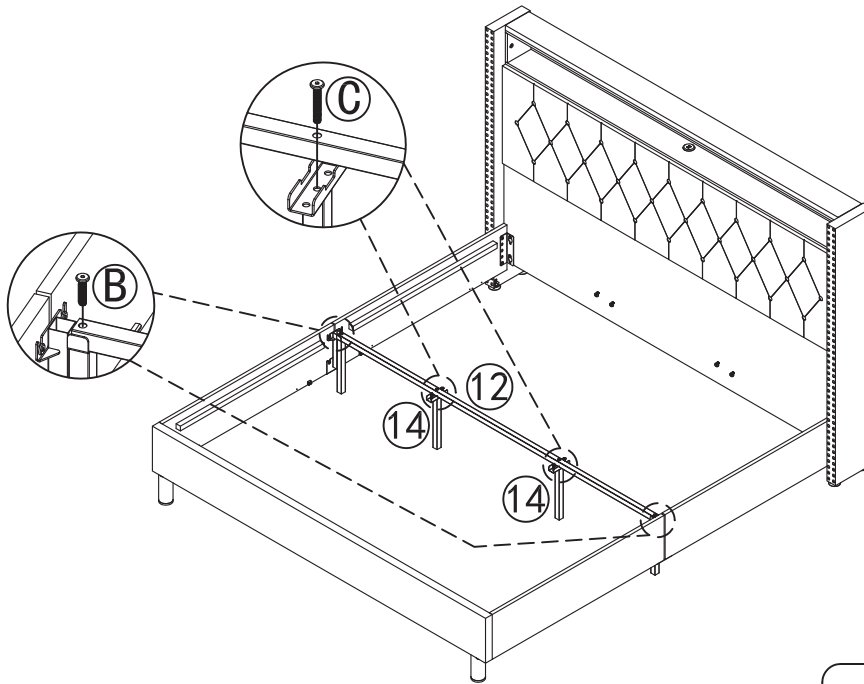


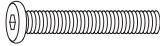

## Tighten all of the bolts

14



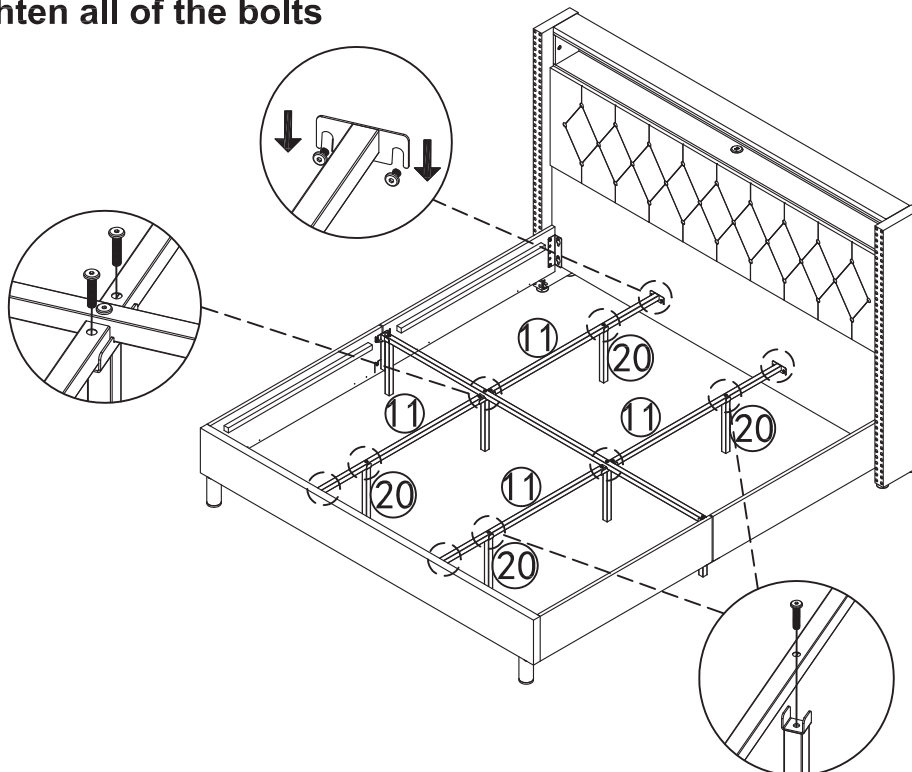
15

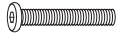


C		2PCS
B		2PCS

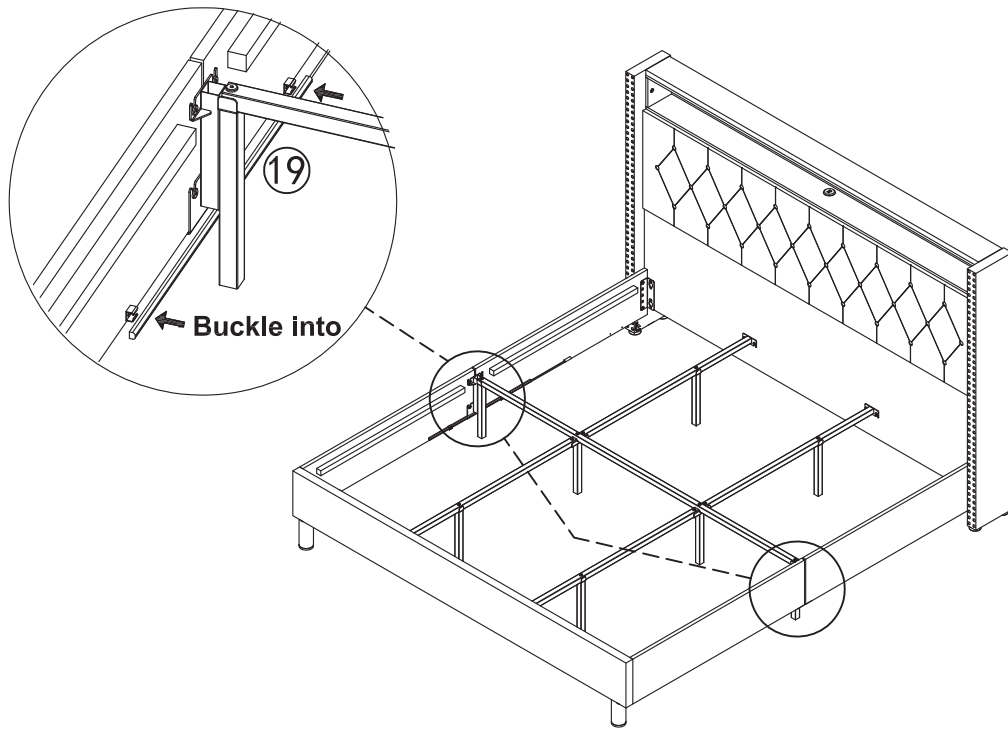
Tighten all of the bolts

16

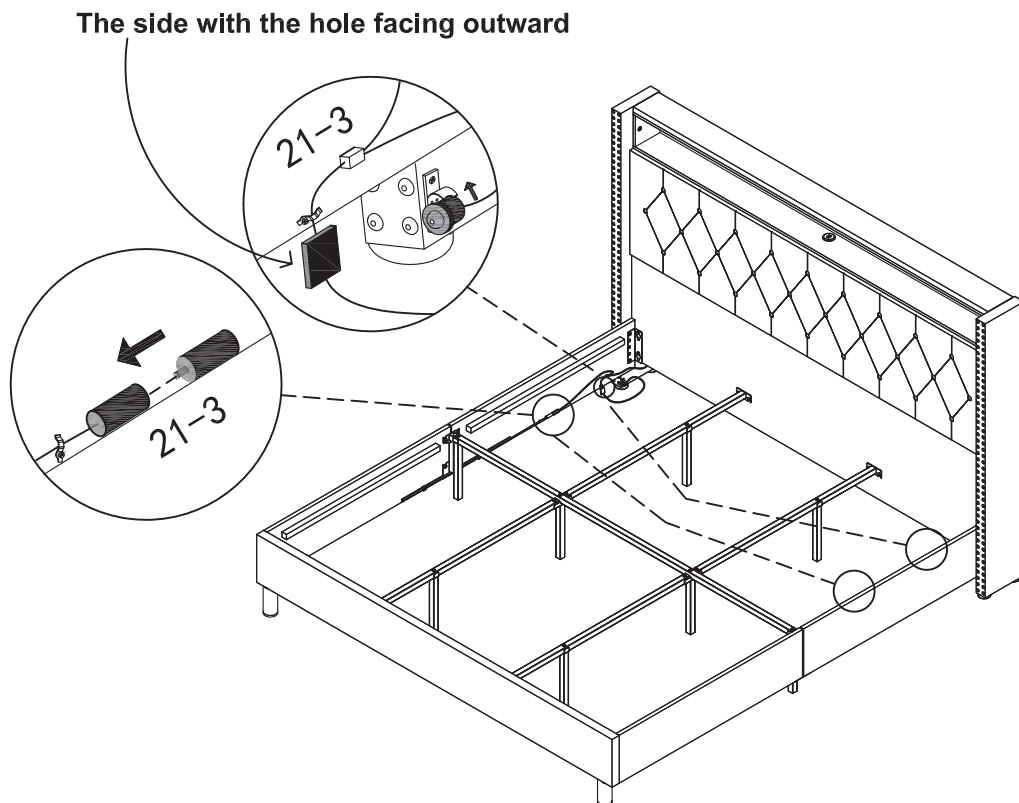


B		8PCS
---	---	------

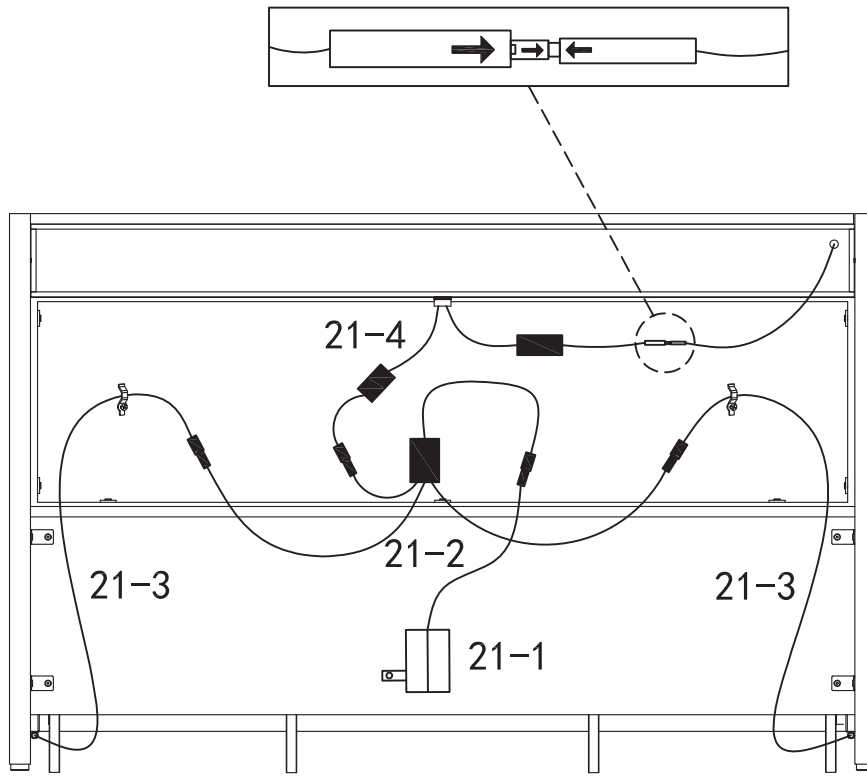
17



18



19



Back Side

20

