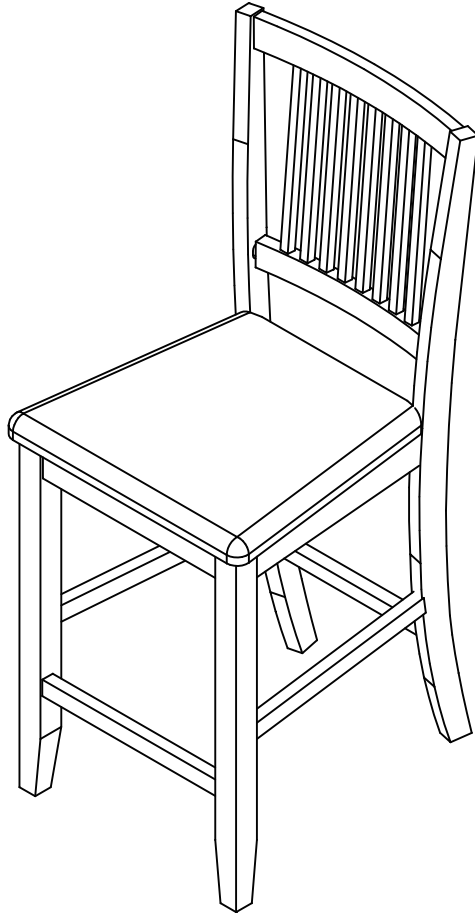


# **ASSEMBLY INSTRUCTIONS**



THIS INSTRUCTION BOOKLET CONTAINS IMPORTANT INFORMATION.  
PLEASE READ AND KEEP IT FOR FUTURE REFERENCE.

# THANK YOU FOR PURCHASING OUR PRODUCTS!

This furniture is designed for indoor application. Please read this booklet carefully and use all the items correctly as described. And please kindly note that the warranty does not apply to any product that has been improperly used.

After unboxing and before assembly, please check whether there are any parts damaged. If yes, please contact our customer service team by calling the numbers below. Meanwhile, please check whether you have all the parts and hardware listed. If there is any missing item, also please contact us immediately.

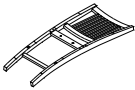
## Before Assembly

- Remove all wrapping materials, staples and packing straps.
- Read the Parts List and Hardware List carefully, make sure all parts and hardware are intact.
- Place all parts on a clean and smooth surface, such as a rug or carpet, to prevent the parts from being scratched.
- Do not cross-thread screws.
- Do not use electric tools.



**Make sure all bolts and screws are fully tightened before using chair.**

## Components



Chair back

A: 1 PCx2



Seat

B: 1 PCx2



Short For Front stretcher rail

C: 1 PCx2



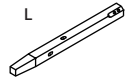
Long For side stretcher rail

D1: 1 PC



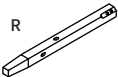
Long For side stretcher rail

D2: 1 PC



Leg

E1: 1 PC



Leg

E2: 1 PC



F: 1 PC



M6 x 80 mm

G: 4 PCSx2



M6 x 60 mm

H: 4 PCSx2



M6 x 30 mm

I: 2 PCSx2



J: 8 PCSx2



K: 10 PCSx2

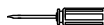


M4 x 38 mm

L: 6 PCSx2











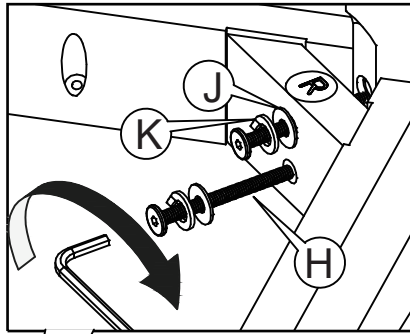
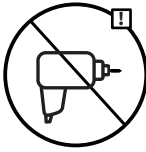
M: 4 PCSx2



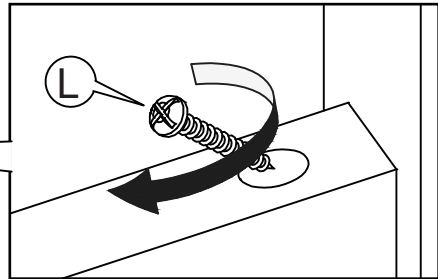
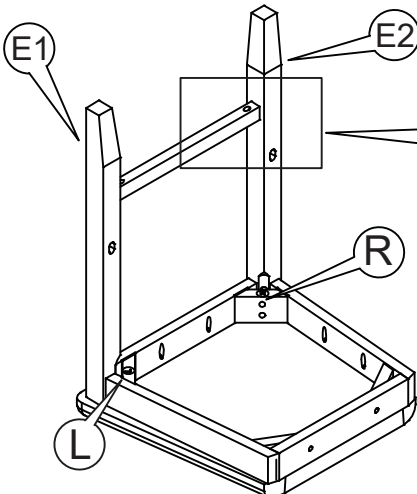
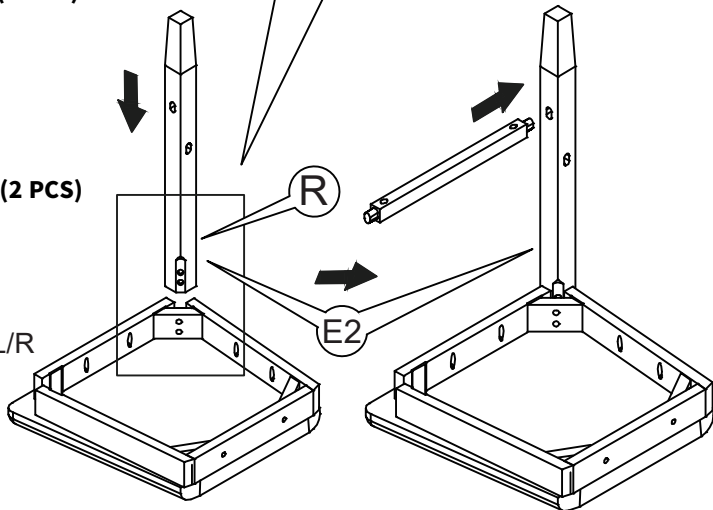
N: 1PC (Not Provided)

# 1

- B**  (1 PC)
- C**  (1 PC)
- E**  (2 PCS)
- F**  (1 PC)
- H**  M6×60 mm (4 PCS)
- J**  (4 PCS)
- K**  (4 PCS)
- L**  M4×38 mm (2 PCS)



Assemble FRONT LEG L/R to SEAT as illustration shown, screws until tight.



Insert screws and assemble as shown on drawing. Do not tighten screws until fully assemble.

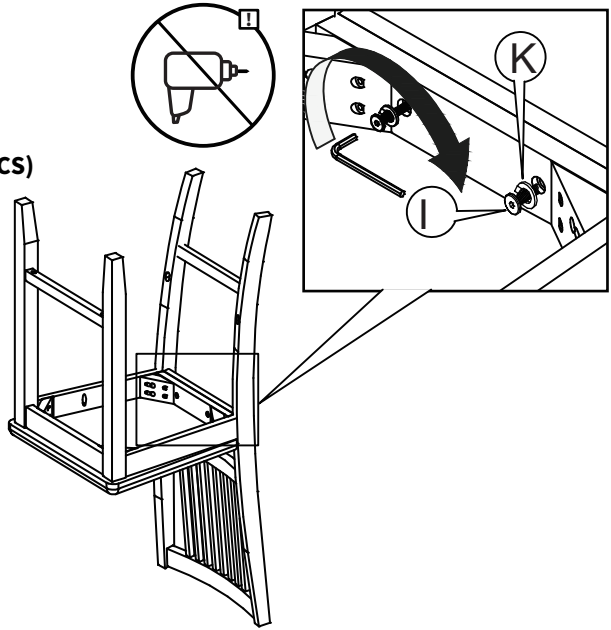
2

**A**  (1 PC)

**F**  (1 PC)

**I**  M6×30 mm (2 PCS)

**K**  (2 PCS)



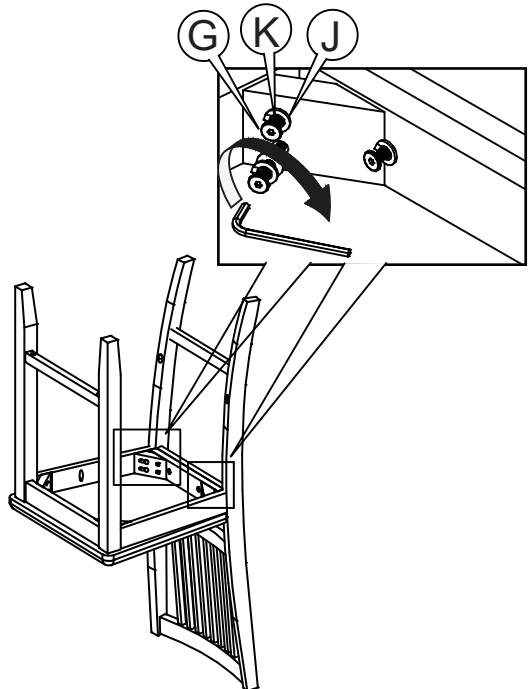
3

**F**  (1 PC)

**G**  M6×80 mm (4 PCS)

**J**  (4 PCS)

**K**  (4 PCS)



Insert screws and assemble as shown on drawing. Do not tighten screws/bolts until fully assemble.

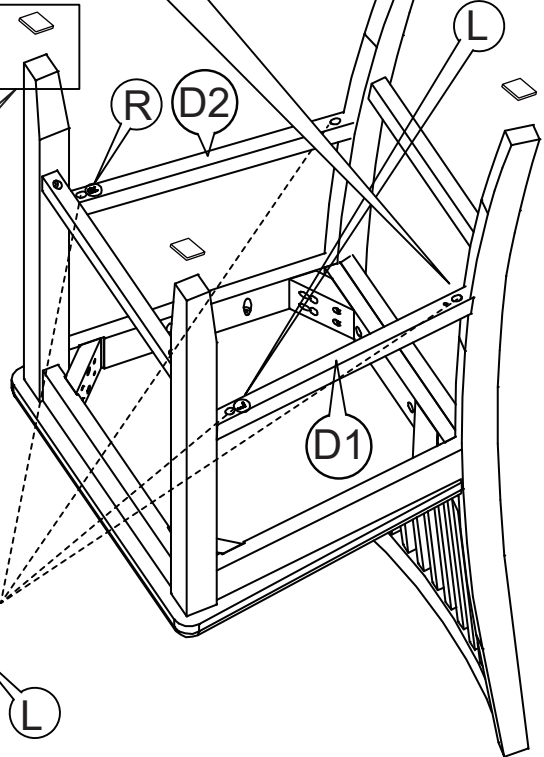
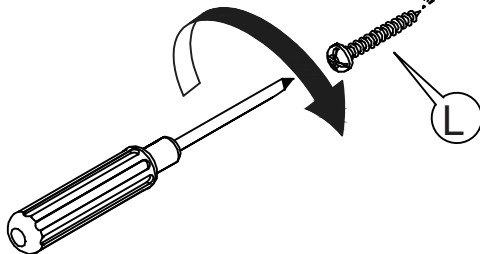
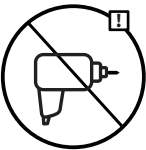
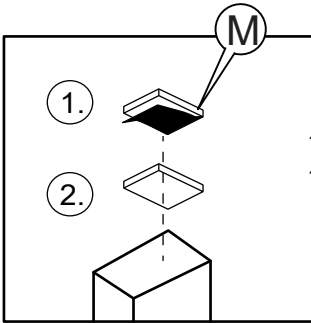
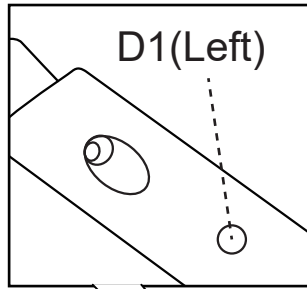
**4**

**D1**  **Left (1 PC)**

**D2**  **Right (1 PC)**

**L**  **M4×38 mm (4 PCS)**

**M**  **(4 PCS)**



Assemble STRETCHER L/R to seat as illustration shown. To ensure chair level, assemble the chair on flat & soft surface. Tighten all screws & bolts using Allen Key while making sure that the unit remain level. Paste the M under the leg as shown on drawing.



# Safety and Care Advice

## Warnings

- Use on level surface only.
- Do not stand on the chair or use it as a ladder.
- Only one person sitting on the chair at a time is permitted.
- Do not use the chair if parts are damaged or screws are loose or missing.
- Do not sit on the edge of the seat. Please always sit properly.
- Do not allow kids to play with the chair.
- Never leave children alone with the chair.
- Severe injuries will occur, if these warnings are ignored.
- Do not FULLY-TIGHTEN the screws until all is assembled.
- Do not OVER-TIGHTEN the screws to avoid causing damages to the thread.
- Do not sit in the chair if you notice changes in the chair structure, such as loose, stacking chains. Keep all hardware part out of reach of children.
- Don't swing on a chair.

## Cleaning & Maintenance

### Cleaning:

- Wipe with a soft, slightly moist cloth.
- Never use corrosive detergents, wire brushes, abrasive scourers, metal or sharp tools to clean this chair.
- Clean the table cover with a mild detergent, do not use abrasive cleaners.
- Wipe off any water, grease stains immediately so that they are not absorbed under the lacquer surface.

### Maintenance:

- Check and tighten all parts regularly.
- If this chair is damaged or seem unsafe, immediately contact us for after sales services.
- Do not place hot, wet, greasy or any food and utensils on the lacquered wood surface, without the substrate, as the table top is natural.

- Do not place furniture too close to radiators (> 50 cm).
- UV light "UV" may change color.

## Limited Warranty

We promises to repair or replace any product or component that is found to be defective in material or workmanship within one (1) year, from the date of original purchase as the original purchaser owns and uses the products. This warranty is subject to the provisions below.

## Exclusions

**This warranty does not apply and no other warranty applies to:**

- Modifications or attachments to the product that are not approved
- Products that were not installed, used, or maintained in accordance with product instructions and warnings.
- Warranty does not cover color, grain, or texture variations associated with natural wood and grain seen in any finish color.
- Damages caused by exceeding the prescribed weight limit.
- Material fading over time or through sunlight.
- Damages through spills or leaks.
- Collison damage (like rubbing against walls etc.).
- Accidental tears and damage.
- Cigarette or other burns.

## To obtain service under this warranty

**Please follow the steps bellow:**

- Please kindly provide the order number and all the information of the product.
- If affirms that the product complies with the condition of warranty as stated, the customer representative will determine whether to provide replacement parts, replacement product, or repairs.