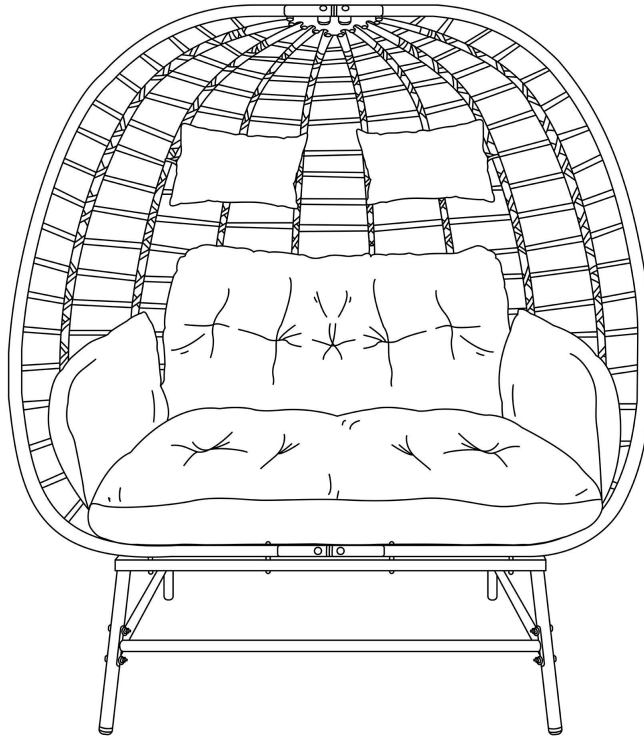





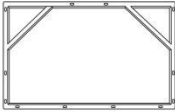








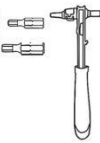

Double Wicker Egg Chair

Installation Instructions

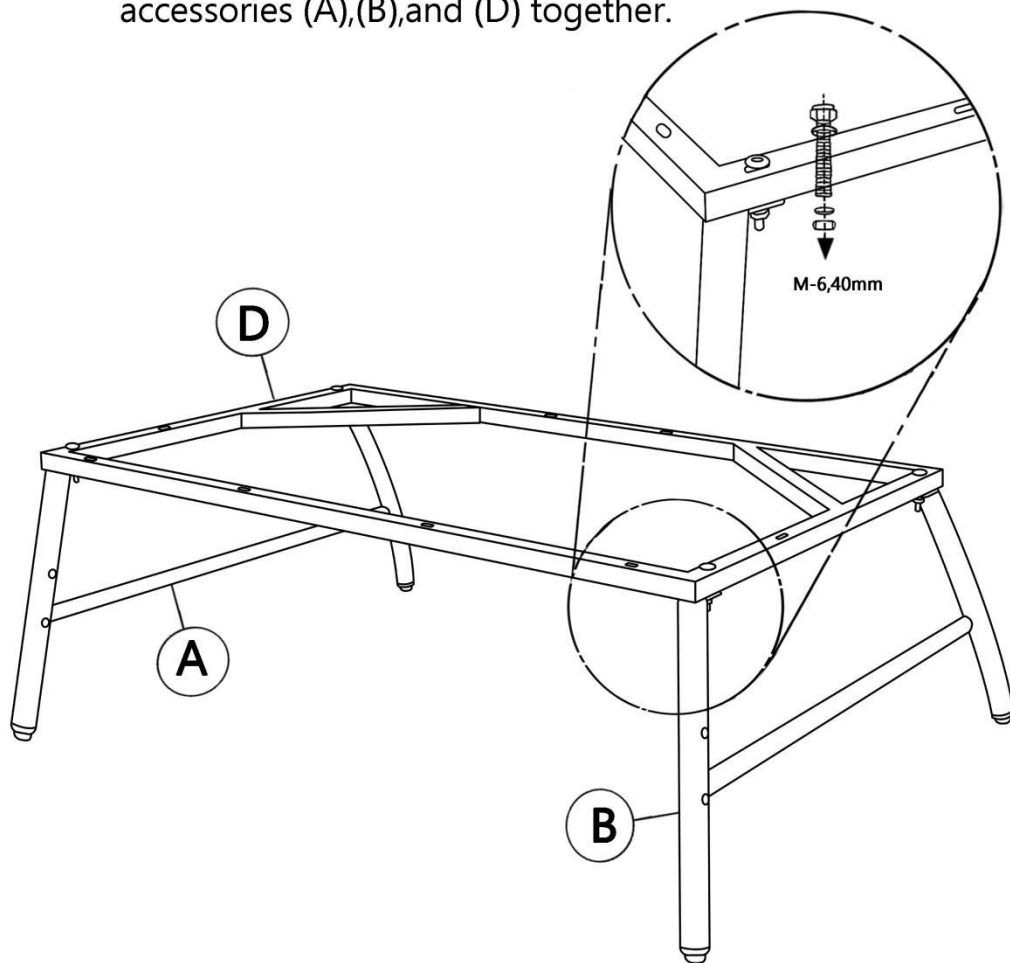


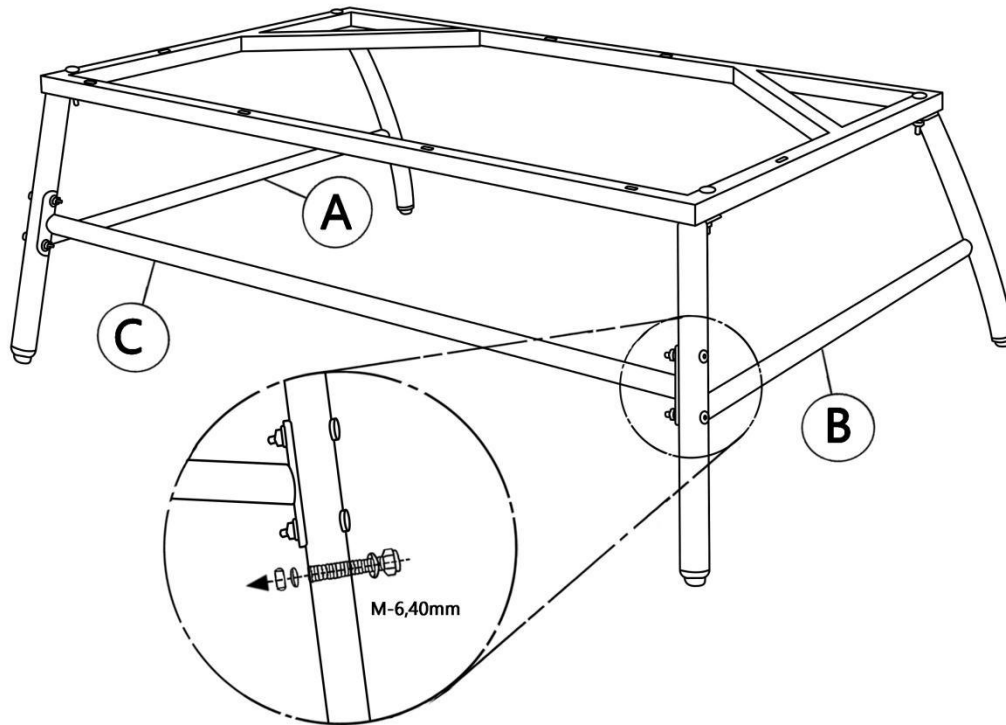
Feel free to contact Installation Instructor Team!

Parts List

Accessories						
	A	1	B	1	C	1
						
	D	1	E	1	F	1
Tools						
	M-6,40mm	12	M-6,55mm	8	M-8,20mm	4
	M-6 		M-8 		M-6 	
	M-8 		M-6			
	Wrench		Hexwrench		Ratchet Wrench	
<p>Tips: Confirm all components are present before installation</p>						

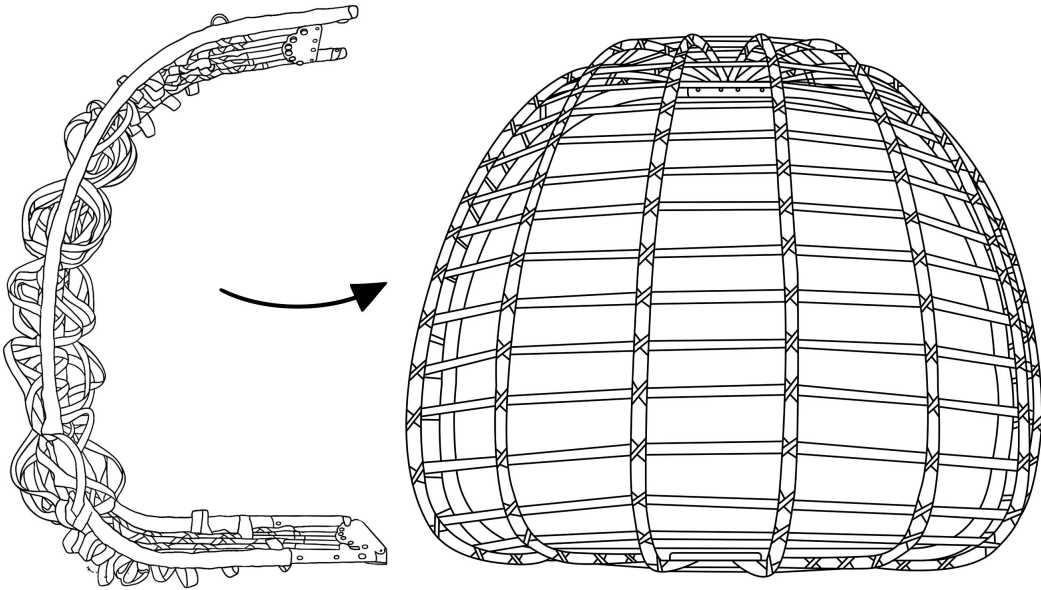
Step 1: Use 4 (M6,40mm) screws to assemble accessories (A),(B),and (D) together.

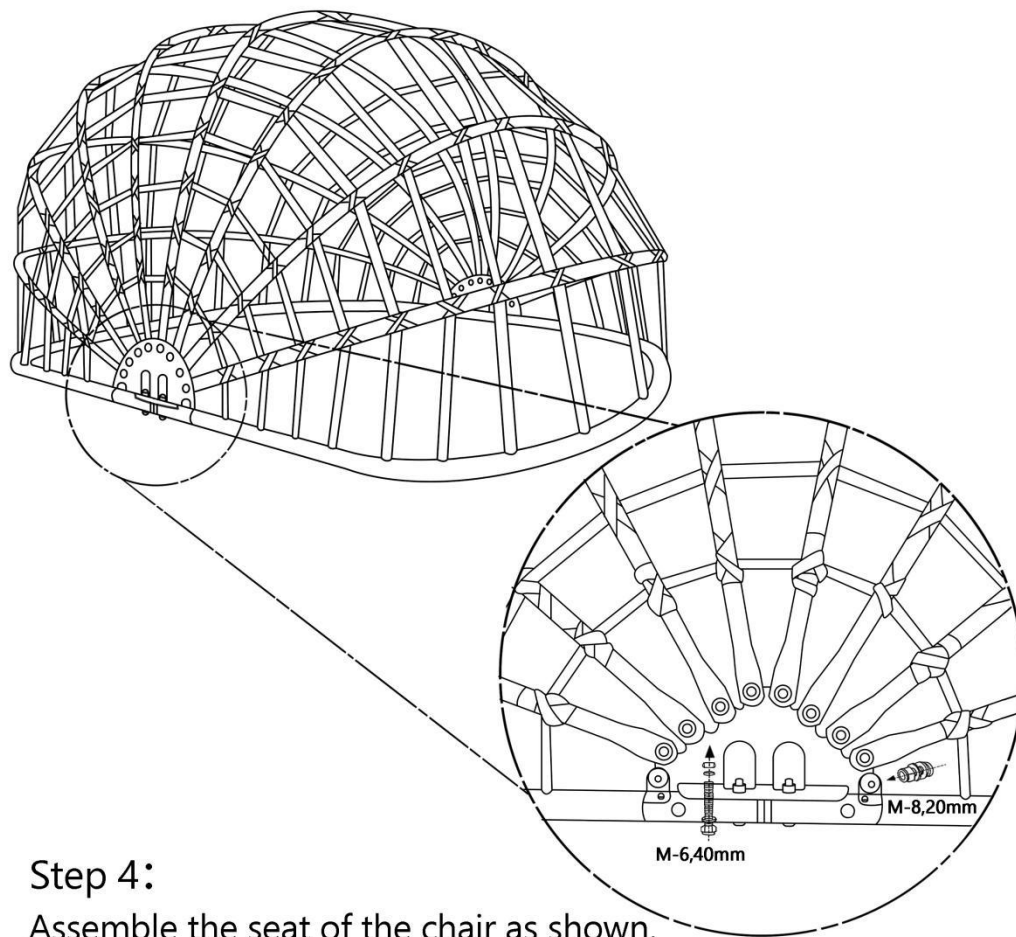




Step 2: Use 4 (M6,40mm) screws to assemble accessories (A),(B),and (C)together.

Step 3: Simply flip the chair base (E) over.





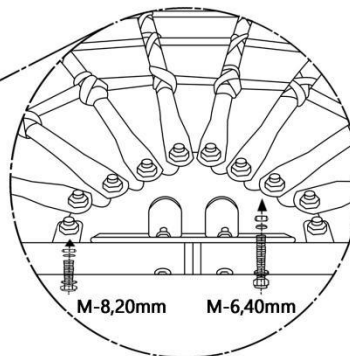
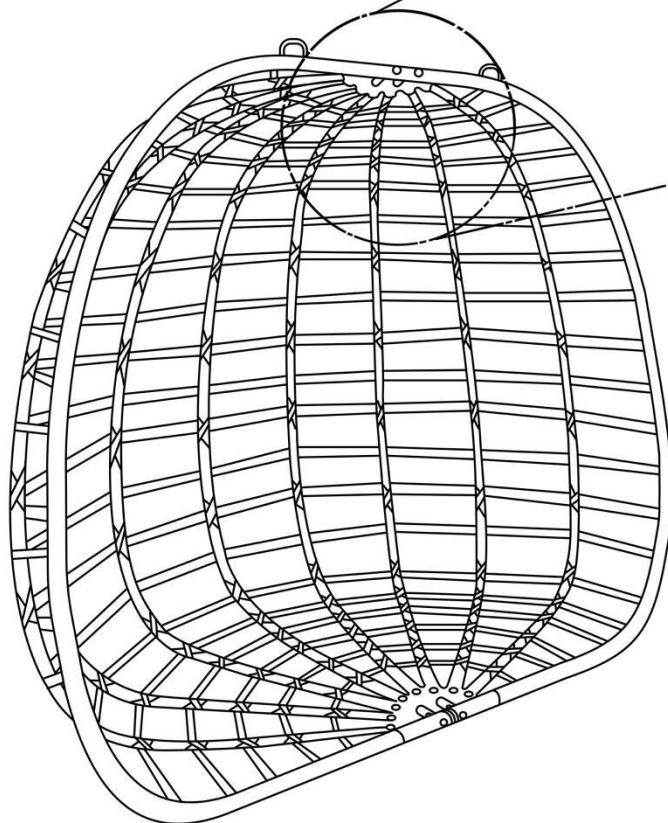
Step 4:
Assemble the seat of the chair as shown.

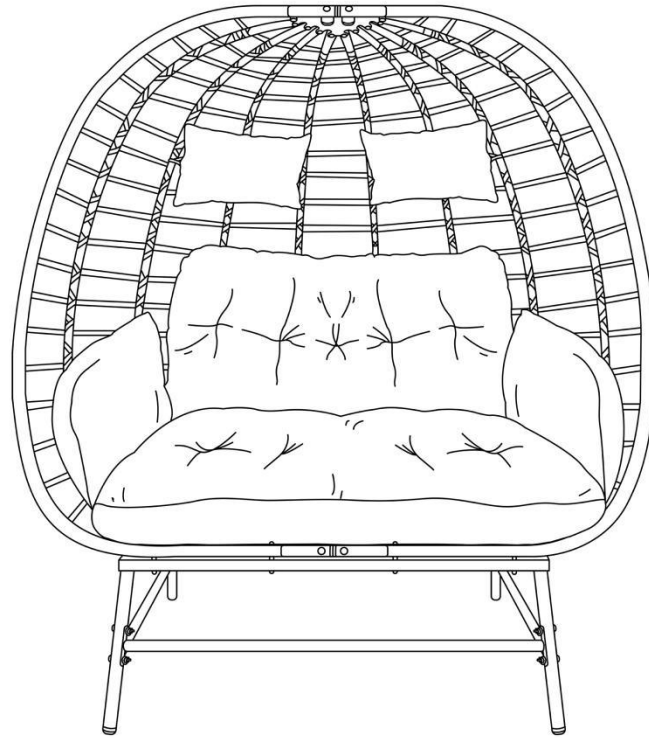
Installation of 2 (M-8,20mm), 2 (M-6,40mm)

Step 5:

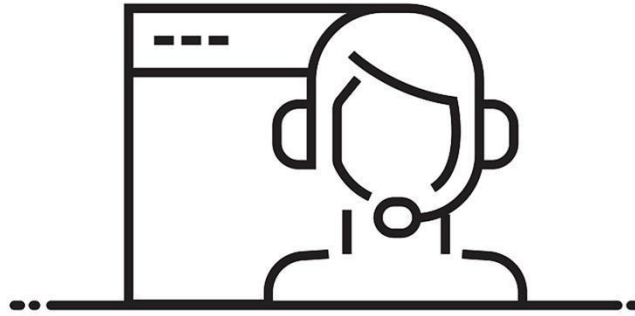
Installation of 2 (M-8,20mm)

2 (M-6,40mm)





Double Wicker Egg Chair



ONLINE SUPPORT

Please read the installation guide carefully before installation
If you have any questions during the installation process
you can contact us and we will provide you a detailed guidance