









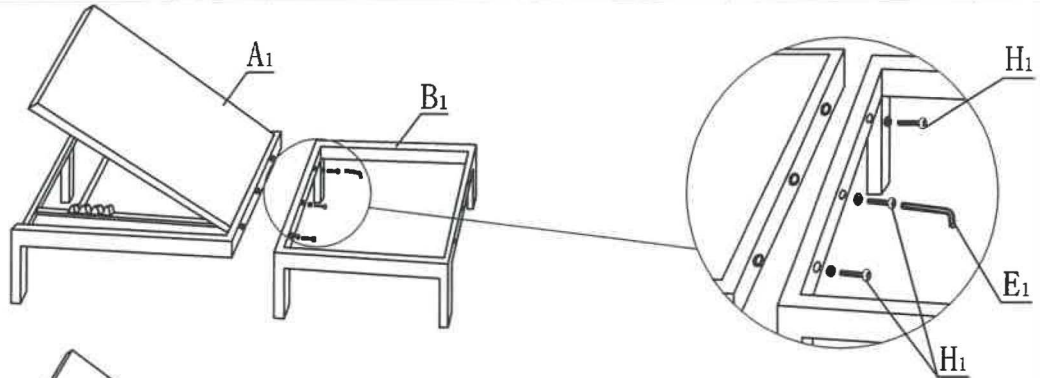
Assembly

Accessories

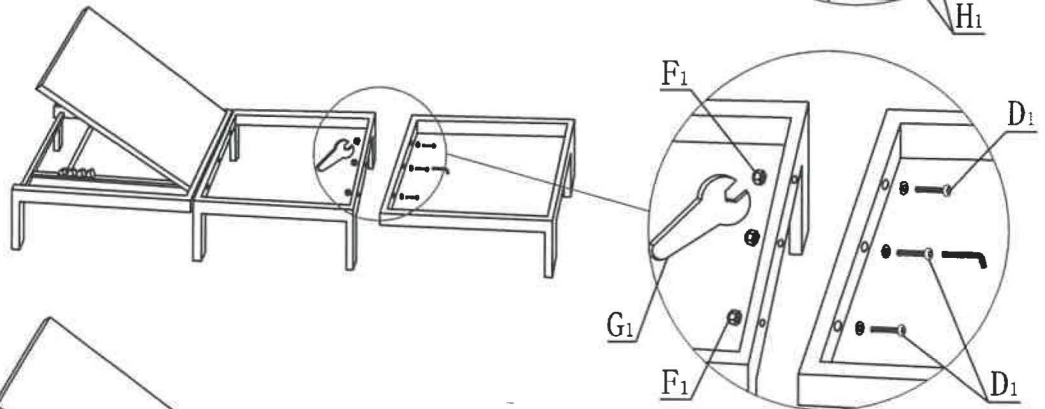
You should have

A ₁		1pc	B ₁		1pc	C ₁		1pc
D ₁	 M6*45mm	3pcs	E ₁		1pc	F ₁		3pcs
G ₁		1pc	H ₁	 M6*30mm	3pcs			

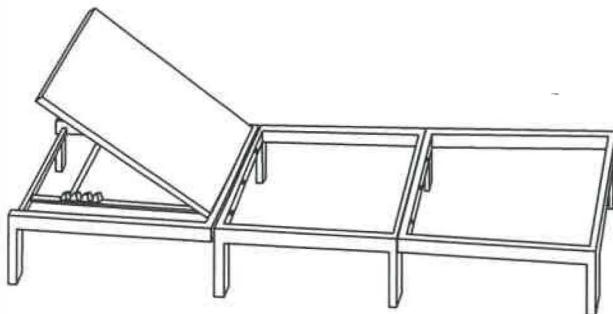
Step1.



Step2.



Step3.



ASSEMBLY INSTRUCTION

Thank you for your recent Purchase.

To assist in assembly, it is highly recommended you loosely screw all bolts into each piece before you tighten them fully.

The frame used in the manufacturing process is produced using highly accurate machinery, and if you tighten one or two bolts before you have loosely screwed all bolts in place, you risk bending the frame out of shape, which will result in holes not aligning correctly