



atlanticfurniture.com

SLAT KIT QUEEN OR KING

ATLANTIC

ASSEMBLY INSTRUCTION

(QUEEN E-65403, KING E-65503)

Before assembling your bed slat kit, please read through these instructions carefully and familiarize yourself with the different parts.

Please note that you will require a Phillips screwdriver and an Allen wrench.

ATTENTION! If you receive a damaged or defective item, please contact Atlantic Furniture at service@atlanticfurniture.com or 1-800-955-3726



PARTS LIST

- 01 SLAT SECTION 2 SET**
- 02 SUPPORT RAIL 2 PCS**
- 03 TALL SUPPORT LEG 4 PCS**
- 04 SHORT SUPPORT LEG 4 PCS**

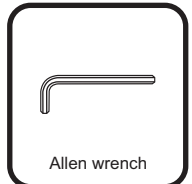


Adult assembly



Customer supplied

Phillips screw driver



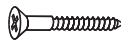
Allen wrench

NOTE: WE INCLUDE SPARE HARDWARE IN CASE THE ALLEN WRENCH, ALLEN SCREW, OR WOOD SCREWS ARE DAMAGED DURING ASSEMBLY.

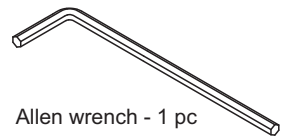
HARDWARE



- A** 1 1/2" Allen screw - 8 pcs
Spare - 1 pc



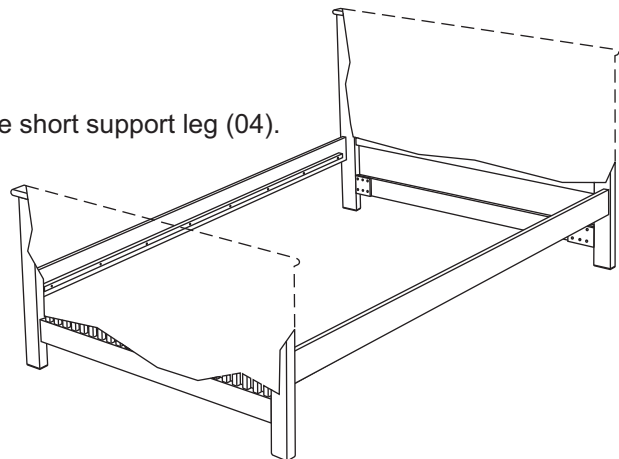
- B** 1 1/4" Wood screw - 8 pcs
Spare - 2 pcs



- C** Allen wrench - 1 pc
Spare - 1 pc

Step 1

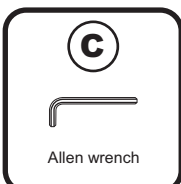
Assemble bed frame according to assembly instructions.
If using mattress and foundation set the bed up low and use short support leg (04).
If using storage drawers choose the tall support leg (03).



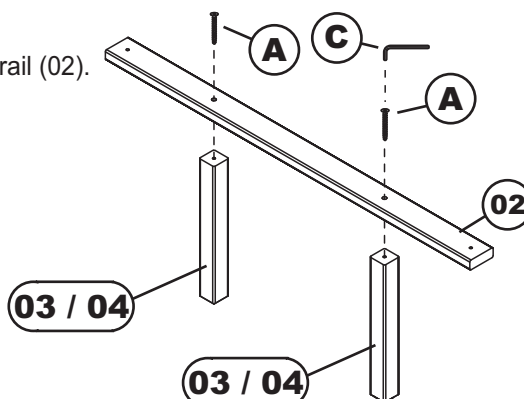
PO :

Step 2

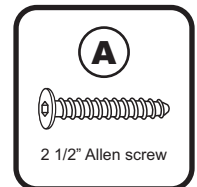
Assemble support legs (03 or 04) and support rail (02).
Using Allen screw (A).
Tighten with the Allen wrench (C).
Repeat for other support rail.



Allen wrench



Adult assembly



2 1/2" Allen screw



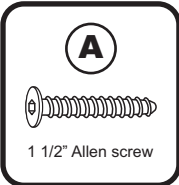
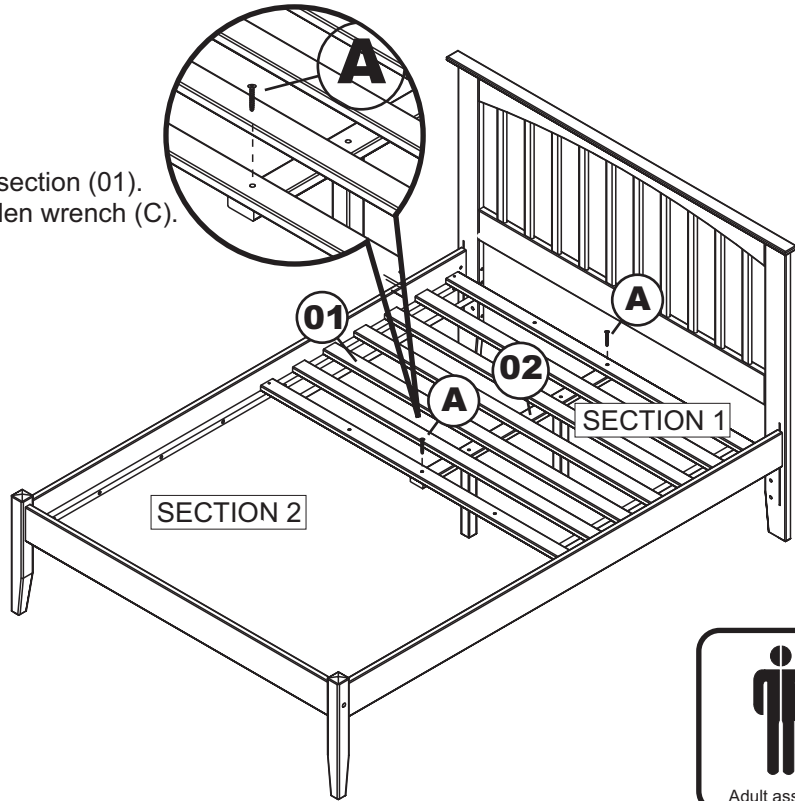
atlanticfurniture.com

SLAT KIT QUEEN OR KING

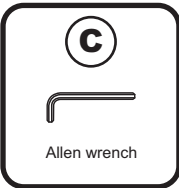
ATLANTIC

Step 3

Lay the slat section (01) onto the bed.
Attach support rail assembly (02) to slat section (01).
Using Allen screw (A), tighten with the Allen wrench (C).
Repeat for section 2.



1 1/2" Allen screw



Allen wrench

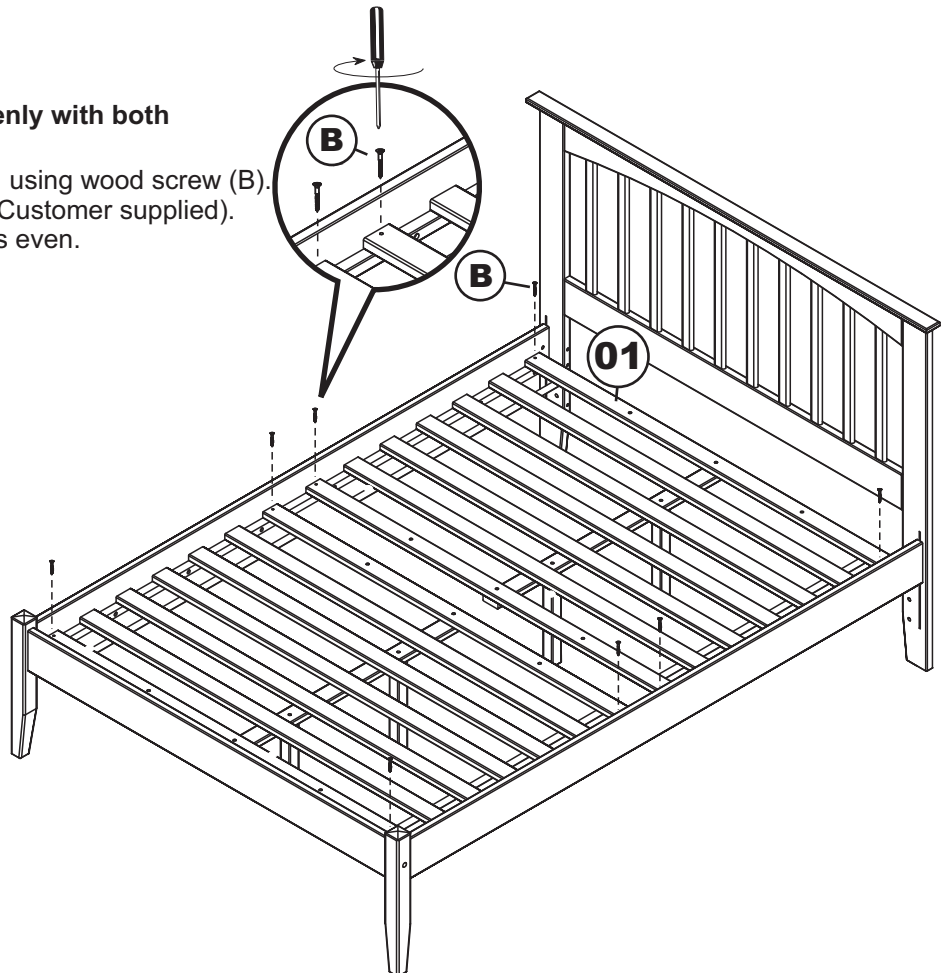


Adult assembly

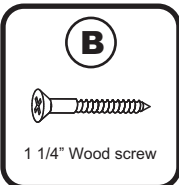
Step 4

Be sure to align slat section evenly with both ends of side rail.

Screw slat section (01) to side rail, using wood screw (B).
Tighten with Phillips screwdriver. (Customer supplied).
Be sure the space between slats is even.



Adult assembly



1 1/4" Wood screw



Phillips screwdriver

Customer supplied