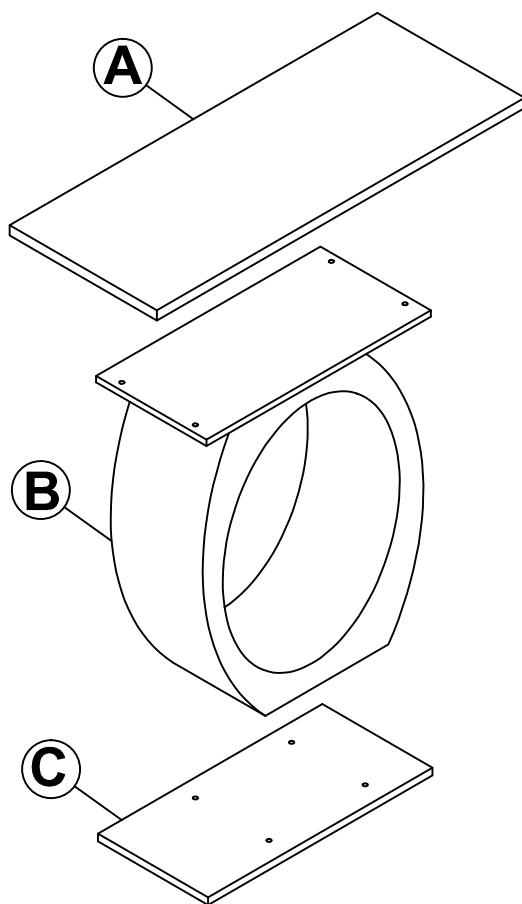
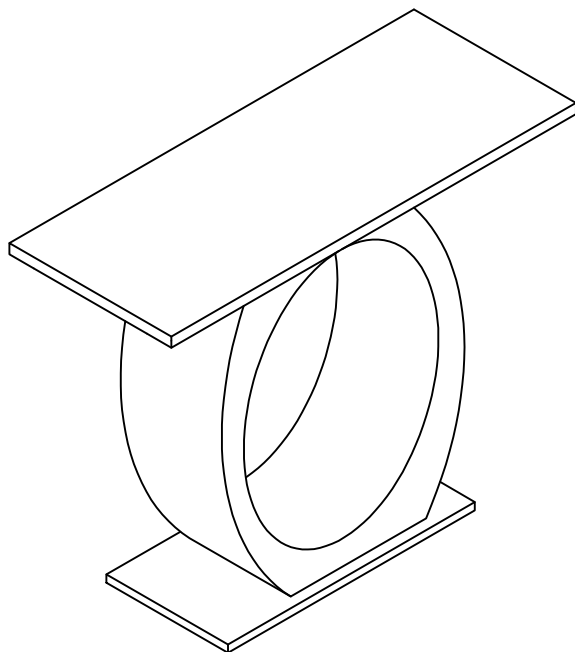
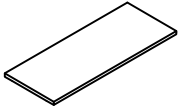
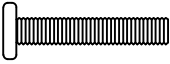


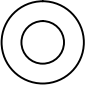

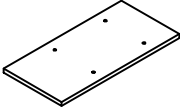







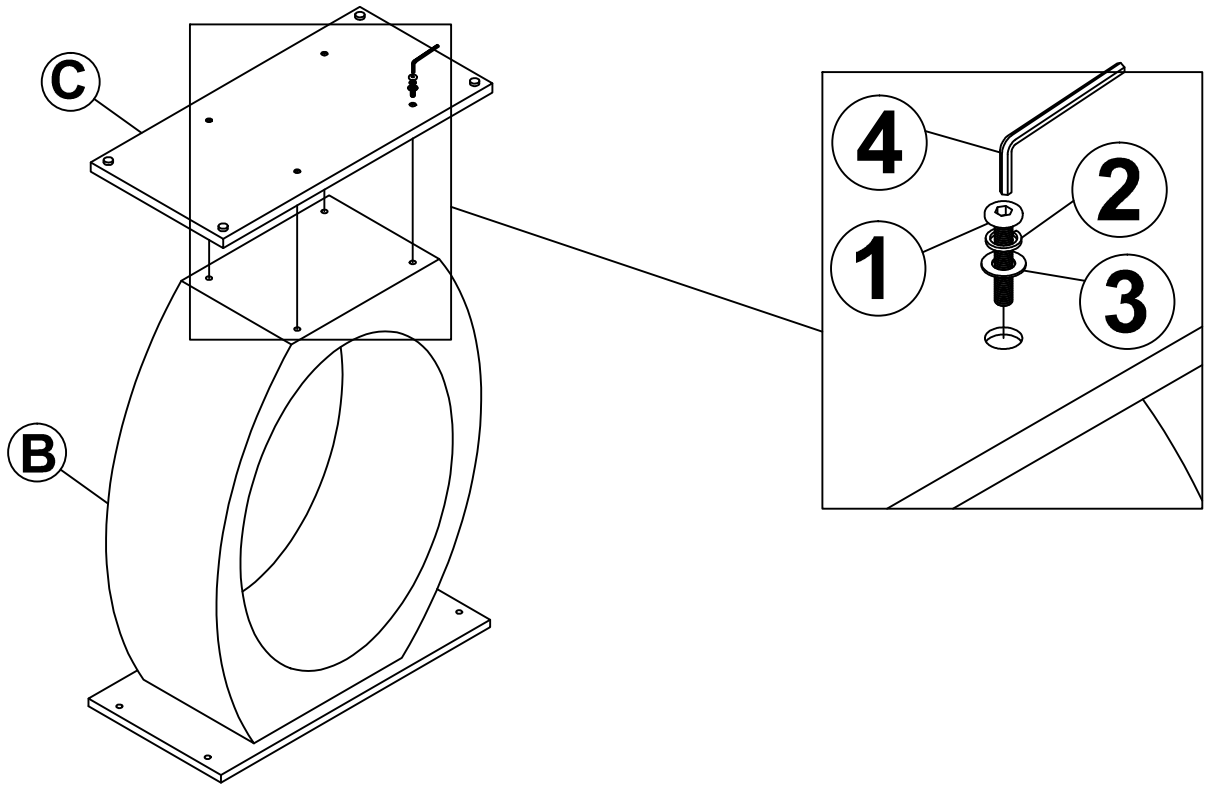
ASSEMBLY INSTRUCTIONS





CONSOLE TABLE



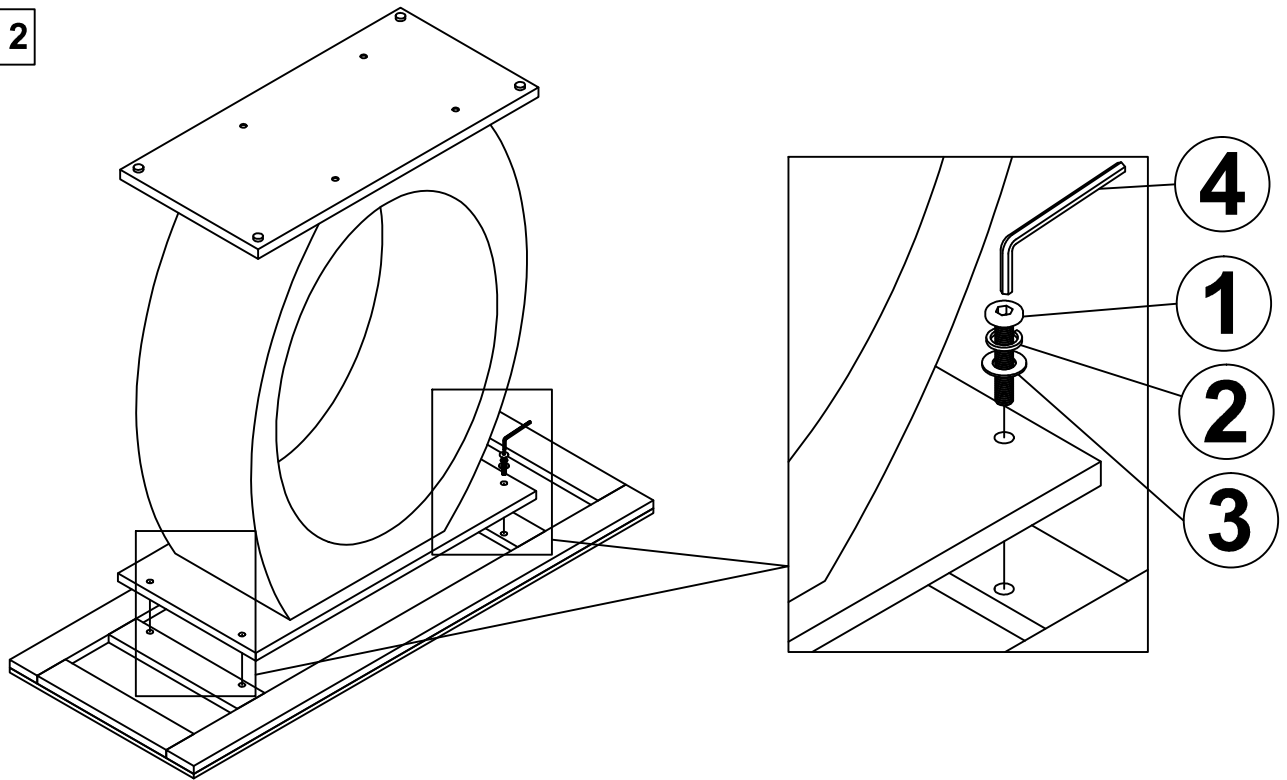
Part List For One			Hardware List	
No	Part Desc.	Q'ty	No	Description
A	Top Panel 	1pc	1	Bolt 5/16"x40mm Qty: 8 pcs + extra 1 pc 
			2	Lock Washer 5/16"x13 Qty: 8 pcs + extra 1 pc 
B	Leg 	1pc	3	Flat Washer 5/16"x19 Qty: 8 pcs + extra 1 pc 
			4	Allen key Qty: 1 pc + extra 1 pc 
C	Bottom Shelf 	1pc	5.1	Patch L Qty: 2 pcs 
			5.2	Anchor Qty: 1 pc 
			5.3	Plastic Strap Qty: 1 pc 
			5.4	Short Screw Qty: 1 pc 
			5.5	Long Screw Qty: 1 pc 





STEP 1



①  Qty 4 pcs	②  Qty 4 pcs	③  Qty 4 pcs	④  Qty 1 pc
---	--	--	---

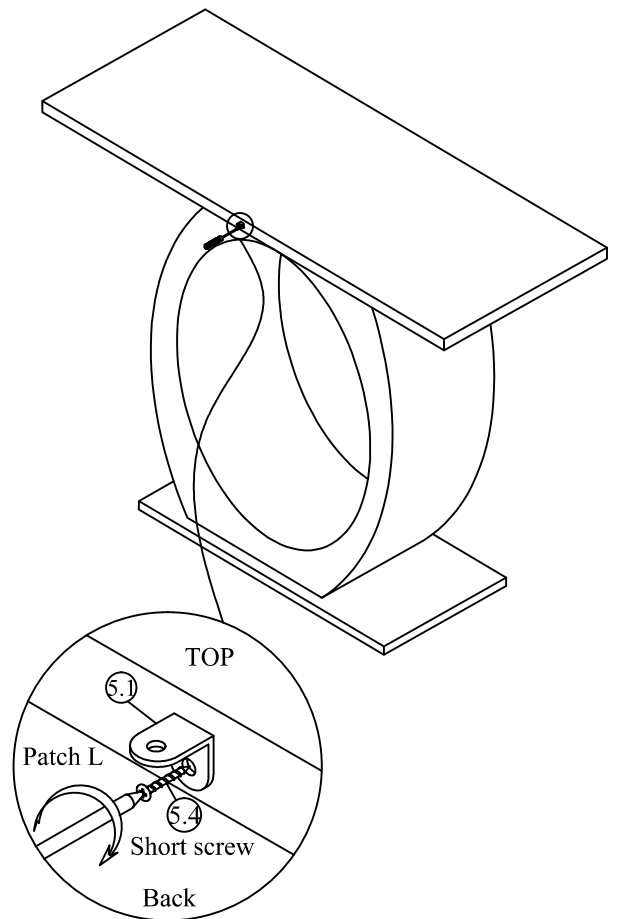
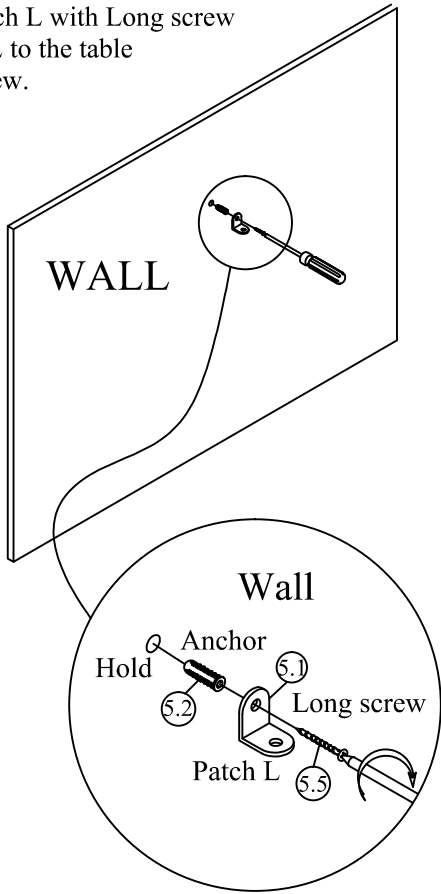
STEP 2



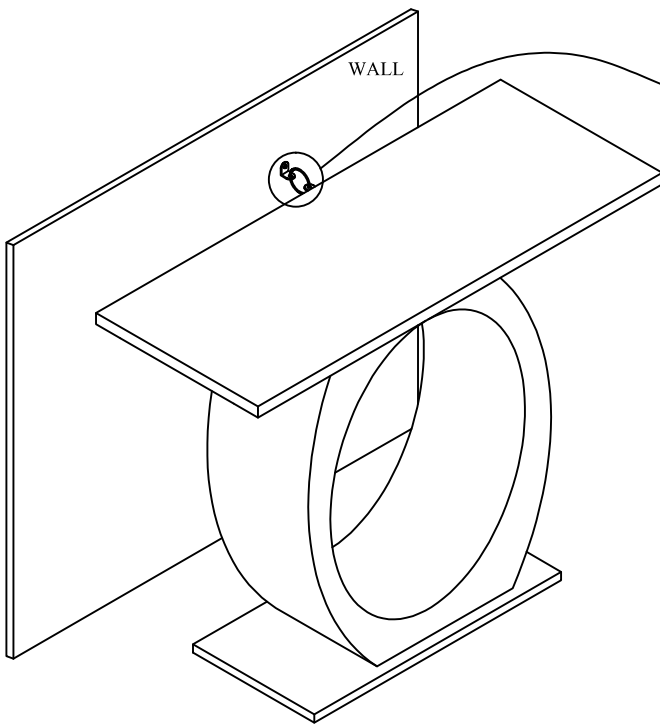
①  Qty 4 pcs	②  Qty 4 pcs	③  Qty 4 pcs	④  Qty 1 pc
---	--	--	---

STEP 3

- Select the location to place the table
- Drill a hole in the dry wall to fit Anchor
- Then included the Patch L with Long screw
- Assembly the Patch L to the table and affix by short Screw.



STEP 4



- Place the table into position so both mounting Patch are vertically in line
- Put the strap into hole of Patch L then tighten the steel wire.

- All console come with TRD, stainless steel or our "L-Bracket "when shipped.