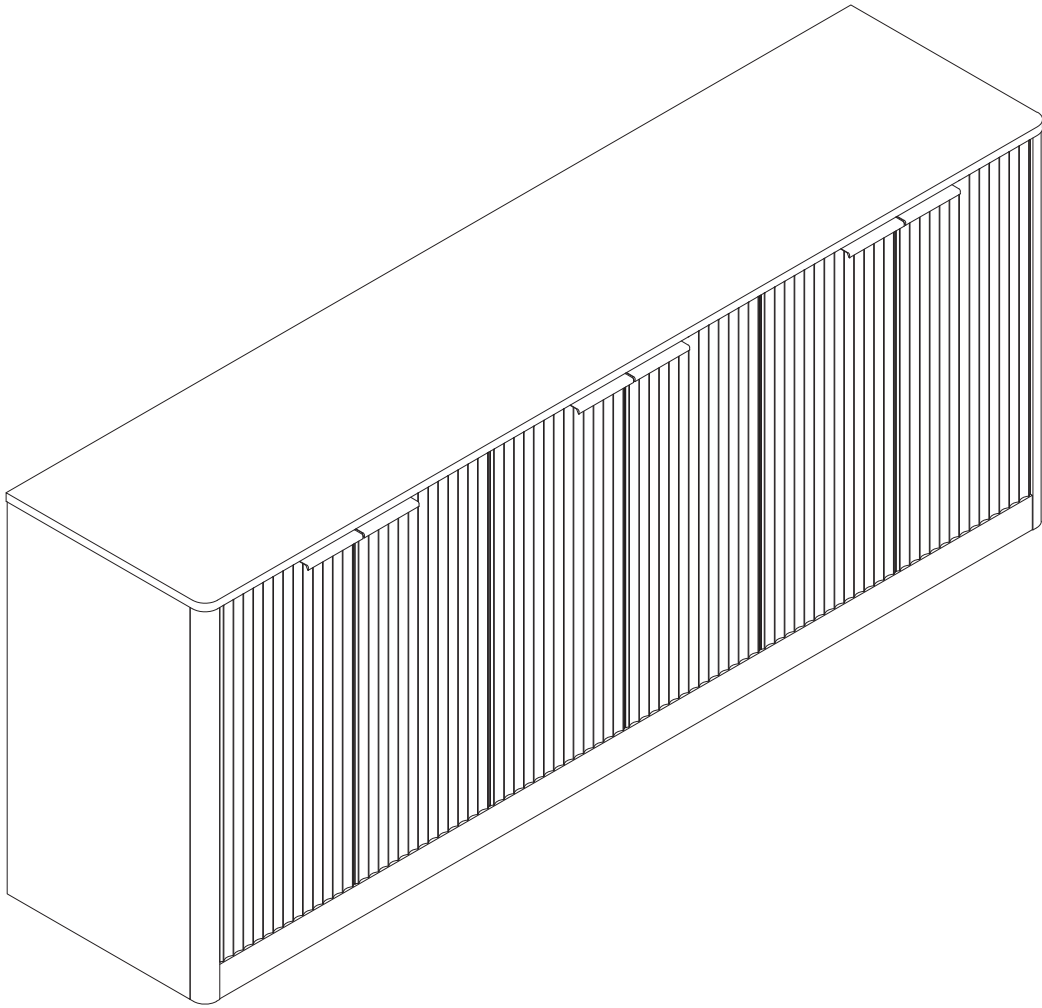


Assembly Instruction



“



Warm Reminder

If you experience any issues with our product (including missing parts, damage, or not meeting expectations), please contact us. We'll ensure satisfactory assistance within 24hours.

”

General Guidelines

- Please read the following instructions carefully and use the product accordingly.
- Please keep this manual and hand it over when you transfer the product.
- This summary may not include every detail of all variations and considered steps. Please contact us if further information or assistance is needed.

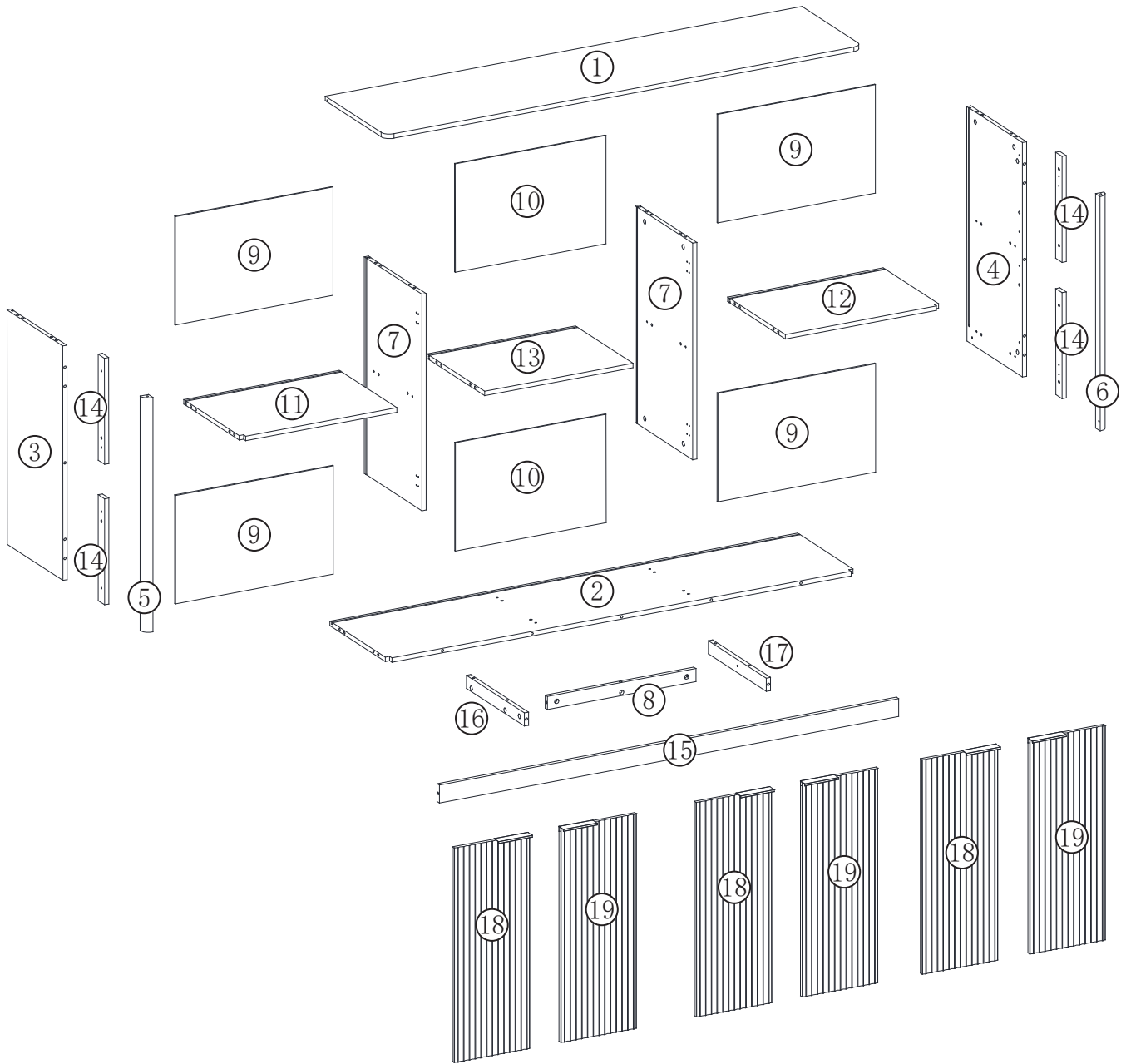
Notes

- The product is intended for indoor use only. It must be assembled and used in accordance with the provisions of the manual. Personal injury and/or damage to the product may occur if the product is used outside of its intended purpose and/or if it has been changed/modified from its original design. The seller does not assume any responsibility or liability for injury or damage caused by incorrect assembly or improper use.
- Avoid long-term exposure to humid environments to prevent mildew.
- Keep the product away from fire sources and high temperatures. Do not expose the product to direct sunlight.
- Do not place any hot objects on the surface of the product.
- If there are any defective or missing parts after unpacking, please cease assembly immediately and contact us.
- Assemble the item on a spacious surface and avoid placing the unwrapped product directly on the ground to prevent damage.
- Do not stand or sit on the wooden boards.
- Wear gloves during the assembly and/or disassembly process to avoid scratches from any sharp edges.
- Match each part and fitting based on the part number in the manual.
- If a part does not match the fitting, please check the manual for clarification.
- During assembly, first loosely align all screws with the corresponding pre-drilled holes, then tighten them one by one.
- Periodically inspect the screw tightness while the product is in use. Retighten if necessary to ensure structural integrity.
- If you accidentally spill water or any other liquid on the surface, immediately wipe it clean with a dry towel.
- Keep the product away from sharp, pointed objects and corrosive substances to prevent damage.
- Place the item on level, solid ground during use.

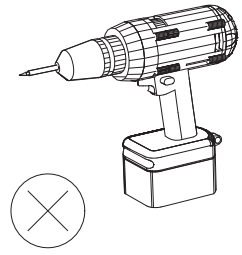
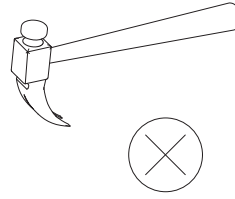
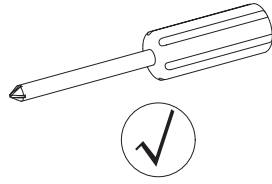
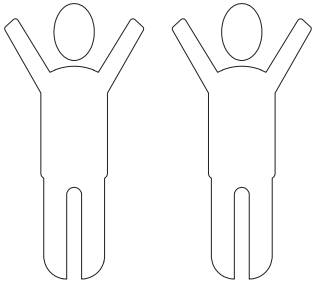
Warnings

- During assembly, keep all small parts out of the reach of children, as they may be fatal if swallowed or inhaled.
- Children should not climb or play on the product to avoid tipping over and causing serious injury.
- To avoid the potential danger of suffocation, keep all packaging materials (film, plastic bags, foam, etc.) away from babies and children.
- Do not shake or move the product violently during use to avoid tipping over.

Parts List (EN)

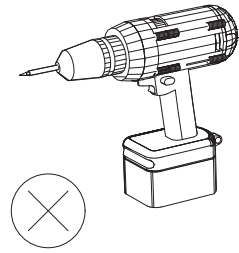
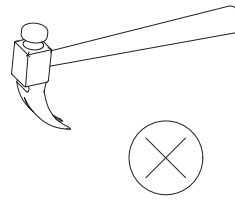
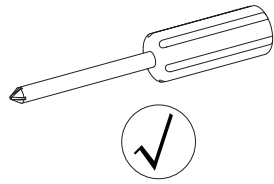
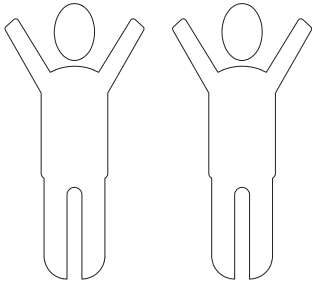


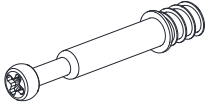
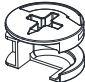


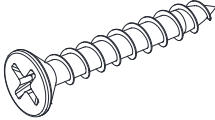

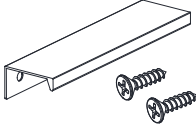
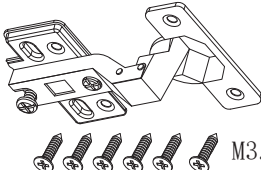
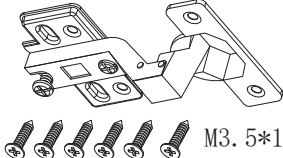
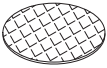
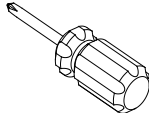
Parts List (EN)



<p>①</p> <p>1PC</p>	<p>②</p> <p>1PC</p>	<p>③</p> <p>1PC</p>	<p>④</p> <p>1PC</p>
<p>⑤</p> <p>1PC</p>	<p>⑥</p> <p>1PC</p>	<p>⑦</p> <p>2PCS</p>	<p>⑧</p> <p>1PC</p>
<p>⑨</p> <p>4PCS</p>	<p>⑩</p> <p>2PCS</p>	<p>⑪</p> <p>1PC</p>	<p>⑫</p> <p>1PC</p>
<p>⑬</p> <p>1PC</p>	<p>⑭</p> <p>4PCS</p>	<p>⑮</p> <p>1PC</p>	<p>⑯</p> <p>1PC</p>
<p>⑰</p> <p>1PC</p>	<p>⑱</p> <p>3PCS</p>	<p>⑲</p> <p>3PCS</p>	

Parts List (EN)



<p>A</p>  <p>50+2PCS</p>	<p>B</p>  <p>50+2PCS</p>	<p>C</p>  <p>Ø8*30mm</p> <p>32+2PCS</p>
<p>D</p>  <p>Ø8*20mm</p> <p>6+1PCS</p>	<p>E</p>  <p>M3.5*25mm</p> <p>8+2PCS</p>	<p>F</p>  <p>M3*16mm</p> <p>24+2sets</p>
<p>G</p>  <p>Handle</p> <p>6sets</p>	<p>H</p>  <p>Mid bend door hinge</p> <p>8sets</p>	<p>I</p>  <p>Large curved door hinge</p> <p>4sets</p>
<p>J</p>  <p>30+2 PCS</p>	<p>K</p>  <p>1PCS</p>	

Instructions For Fastening CAM-BOLT and CAM-LOCK

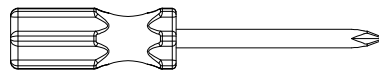


CAM-BOLT

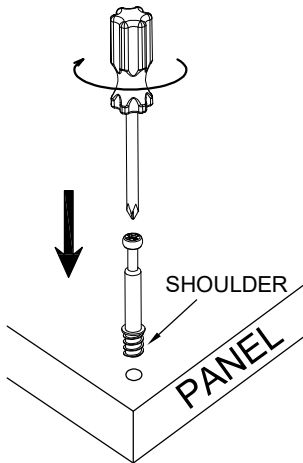


CAM-LOCK

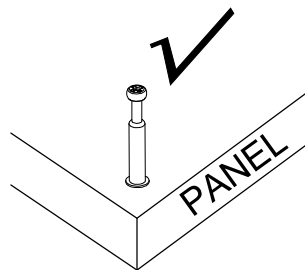
Tools Required



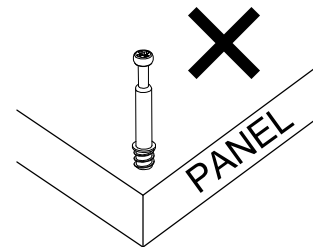
INSERTING AND TIGHTENING CAM-BOLT



Place Cam-bolt on pre-drilled hole and screw in vertically



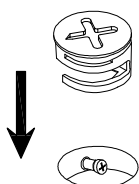
Shoulder is flushed (on the same level) with the panel



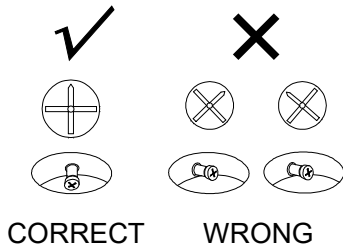
Shoulder is above the panel

Place Cam-bolt on the designated pre-drilled holes on the panel. Use a Phillips Screwdriver to screw-in Cam-bolt vertically until shoulder is flushed (on the same level) with panel.

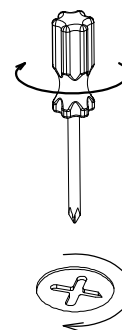
INSERTING CAM-LOCK



Insert Cam-lock with arrow align to Cam-bolt head



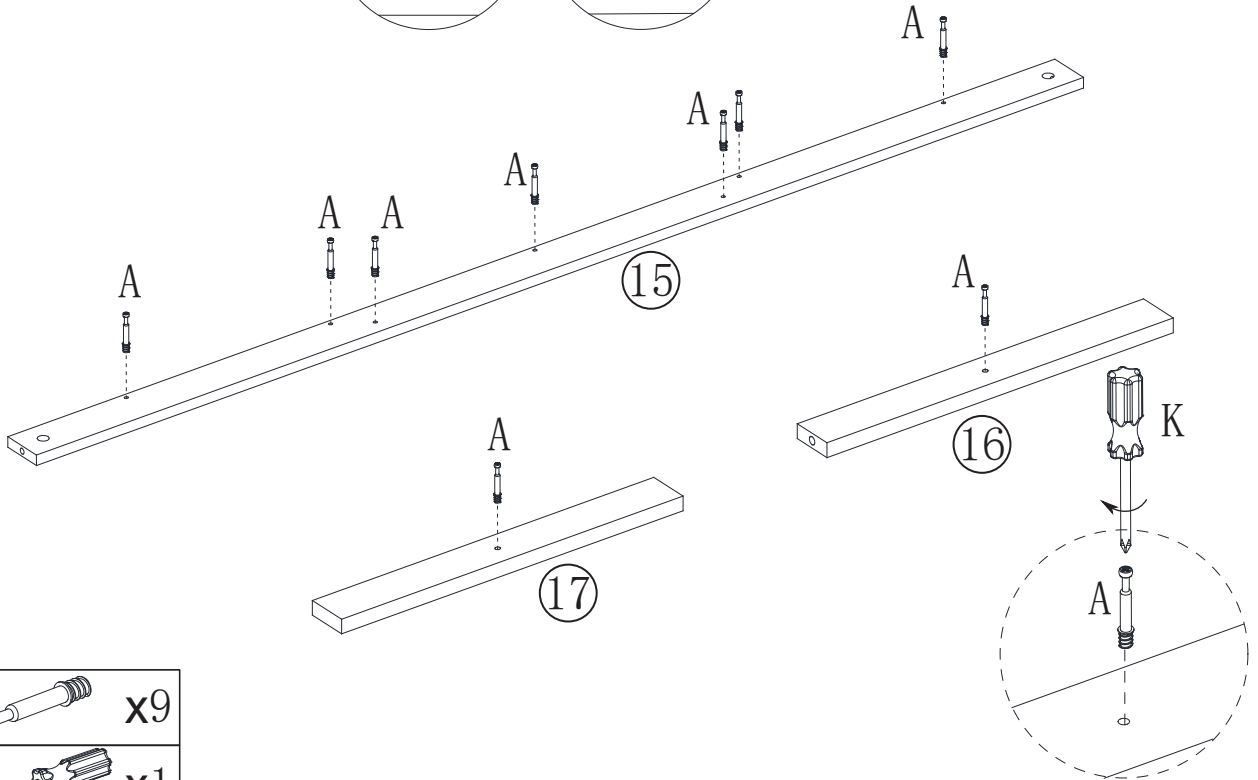
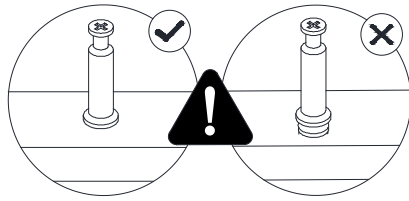
TIGHTENING CAM-LOCK

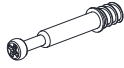
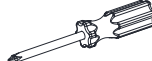


Align the arrow on the Cam-lock to the Cam-bolt head and insert the Cam-lock. Ensure Cam-lock is fully inserted.

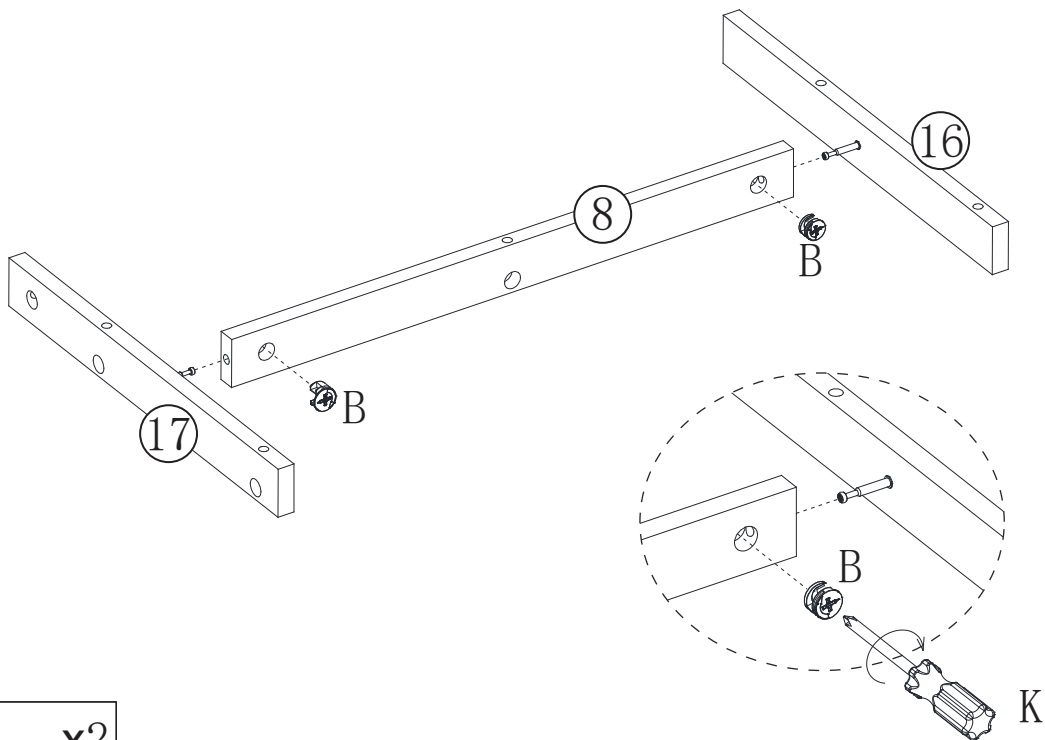
Use a Flat-head Screwdriver to turn Camlock clockwise so it locks onto the head of the Cam-bolt. Turn until it is snug (about 3/4ths of a turn) -- over-tightening could damage Cam-lock or/and Cam-bolt.


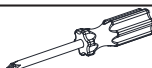
STEP 1



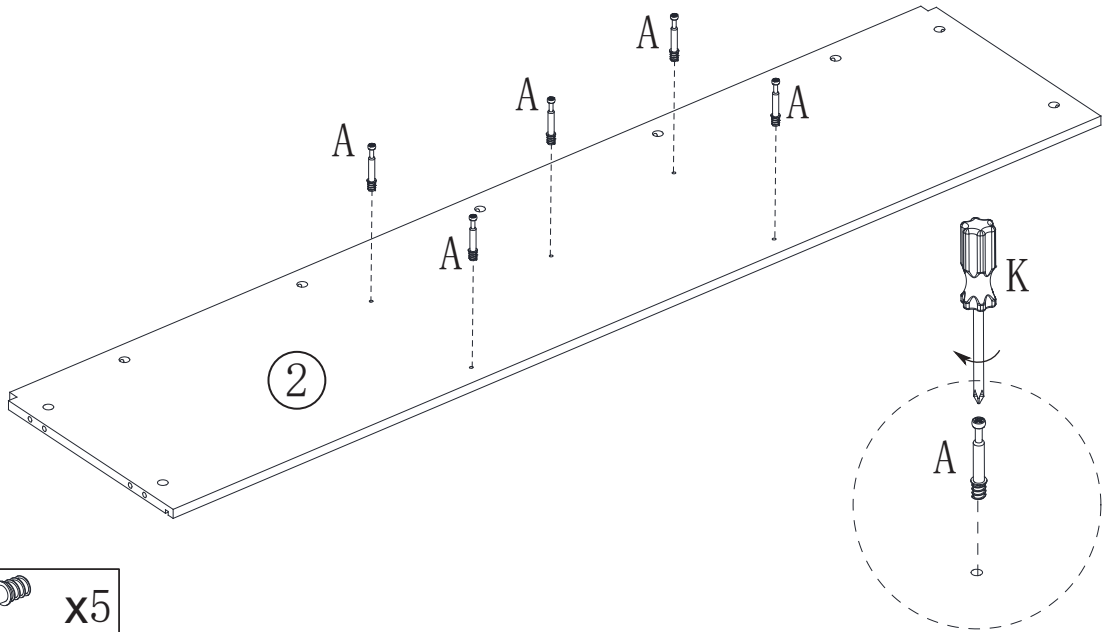
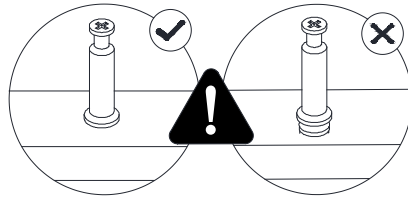
A		x9
K		x1



STEP 2



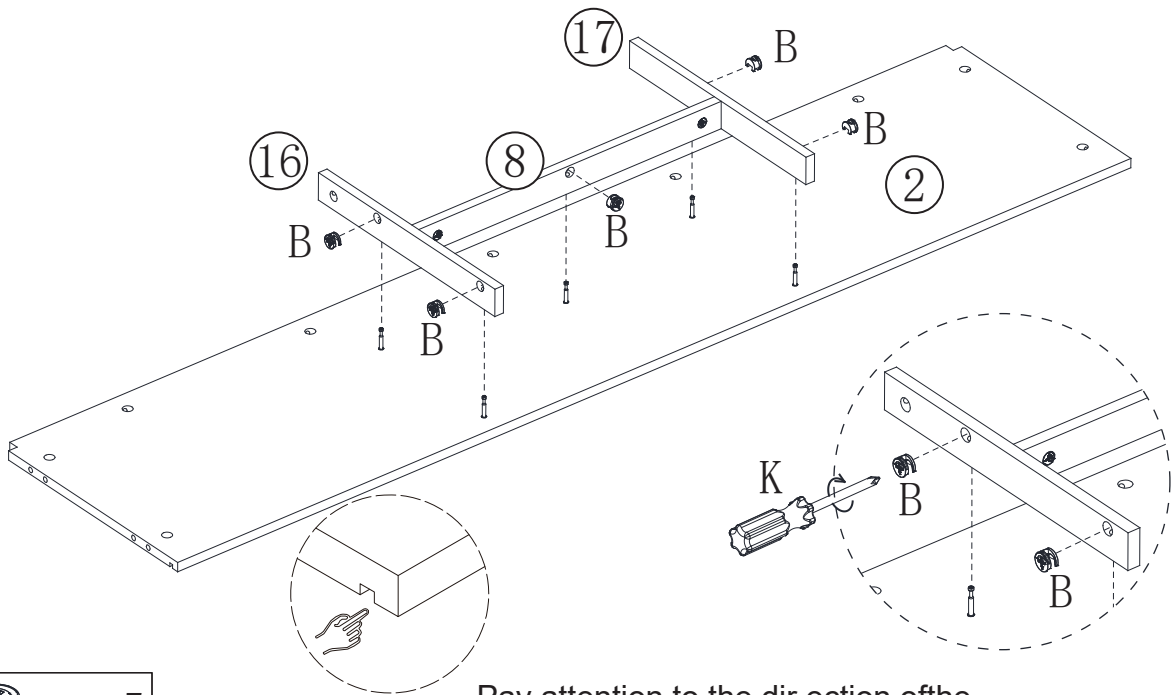
B		x2
K		x1


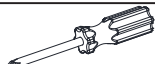
STEP 3



A		x5
K		x1

STEP 4

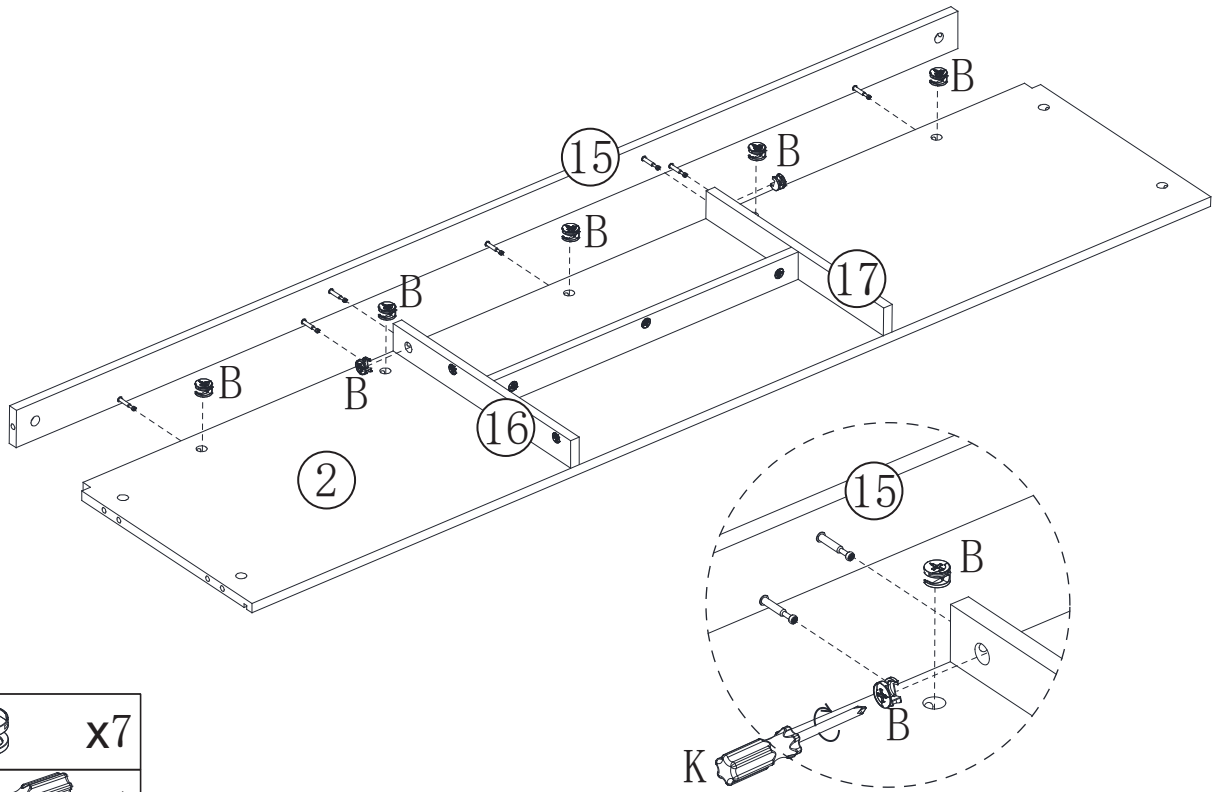



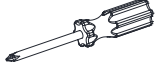
B		x5
K		x1



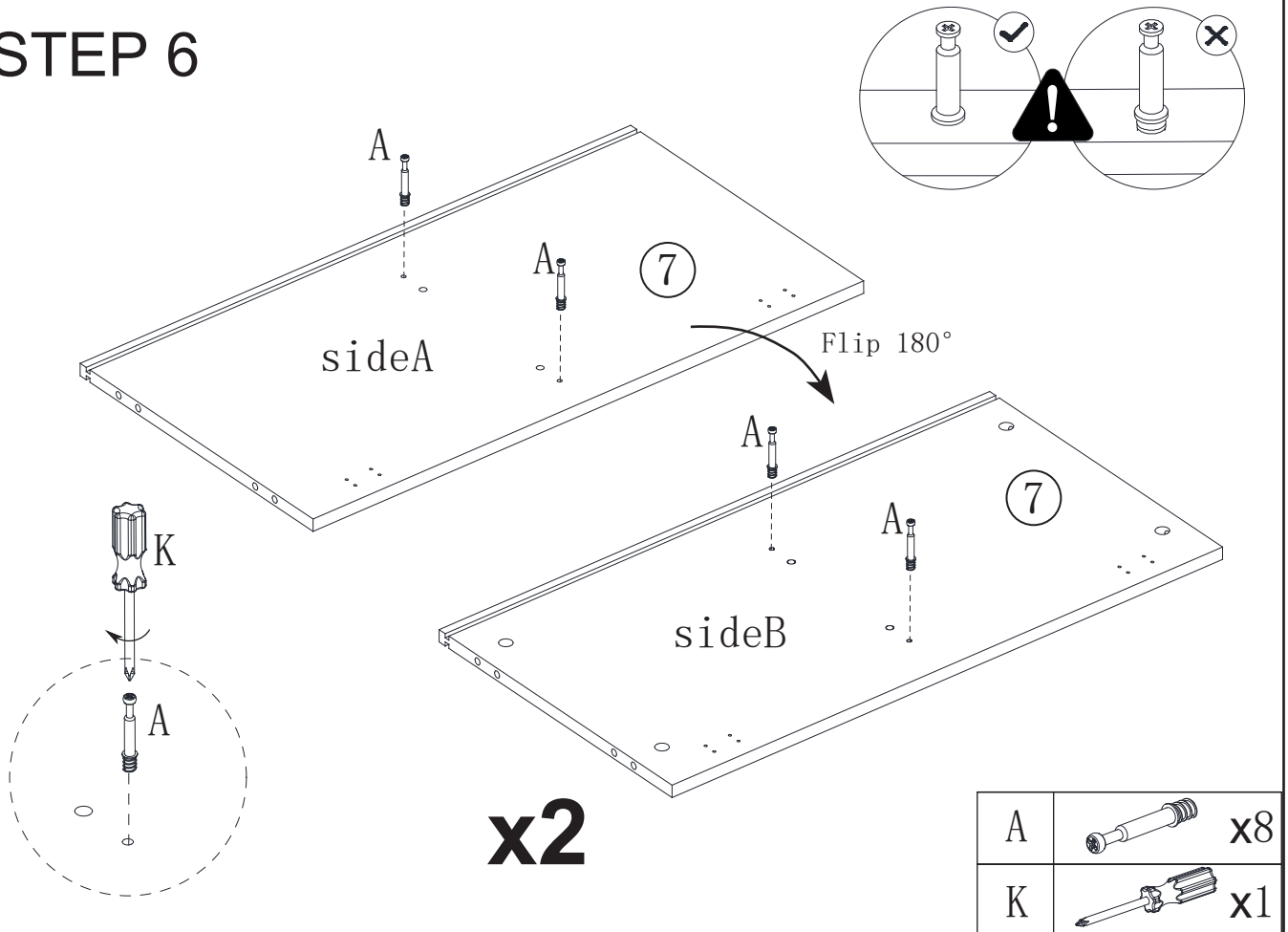
Pay attention to the direction of the panel. The panel with the notch should face downward.

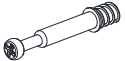
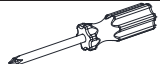
STEP 5



B		x7
K		x1

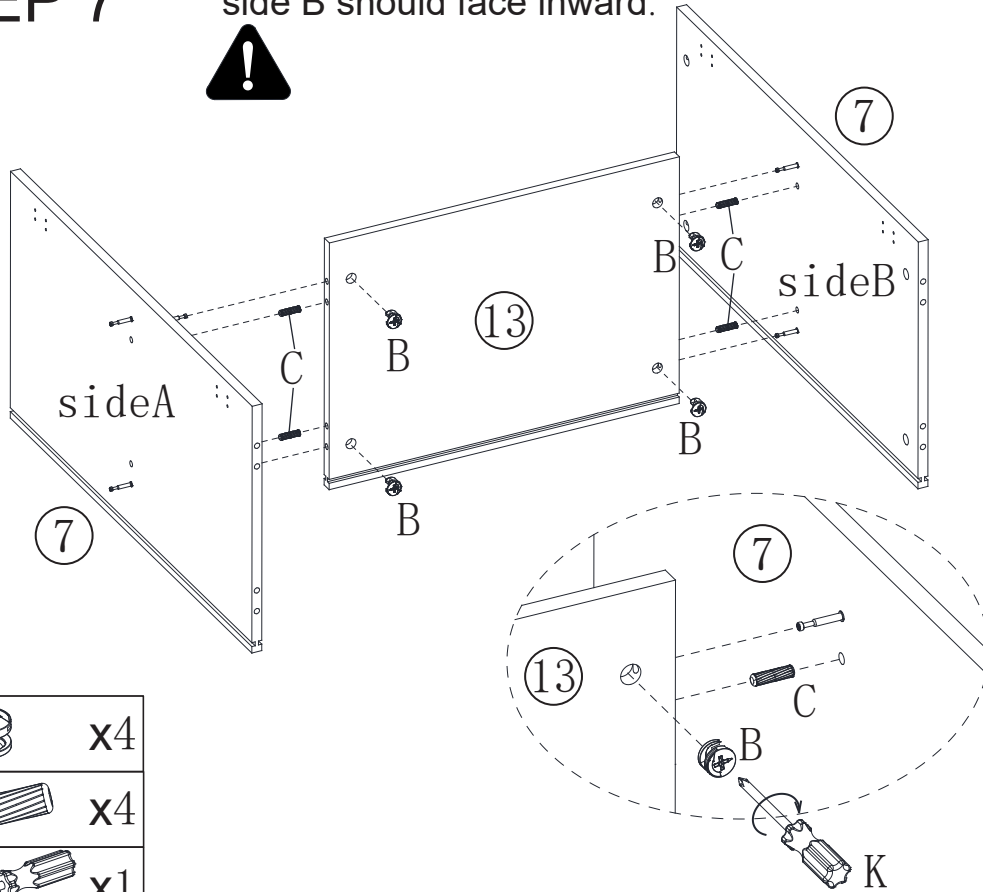
STEP 6






A		x8
K		x1

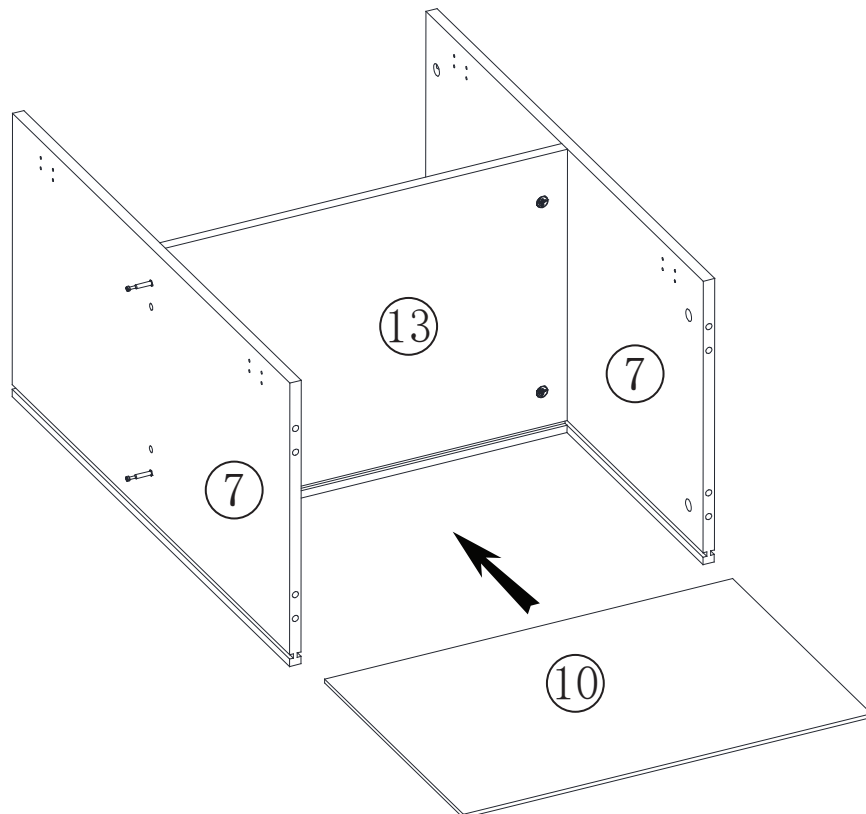
STEP 7

Note that on Board 7, side A should face outward and side B should face inward.

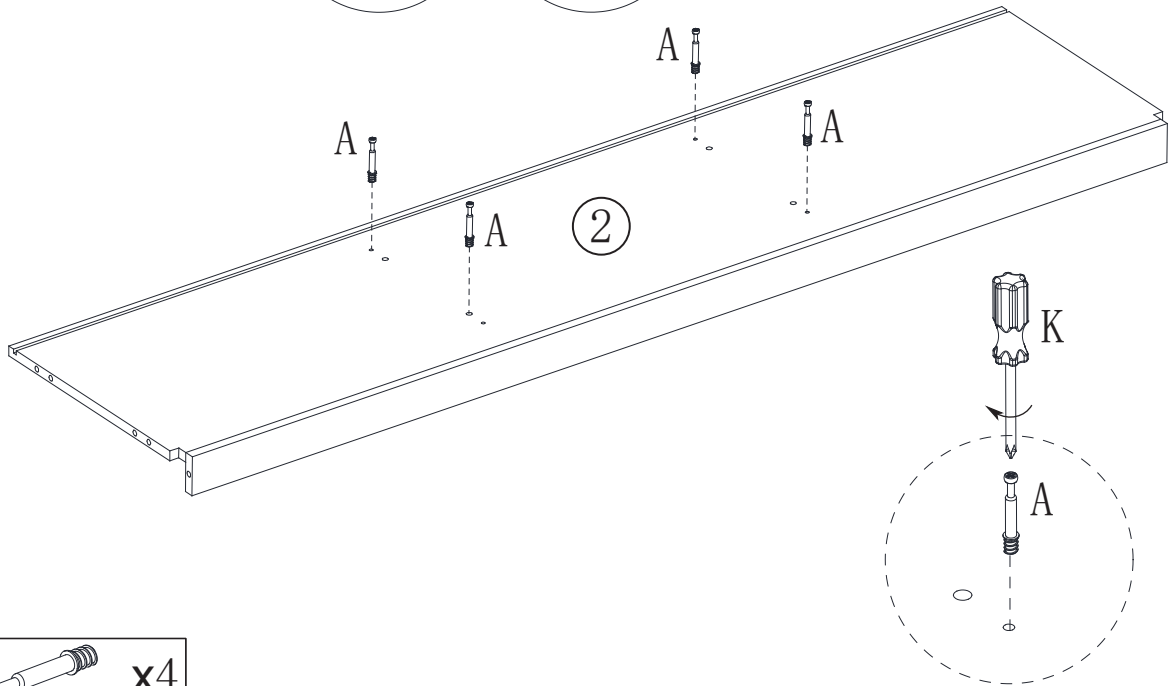
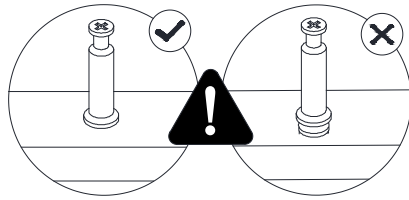


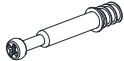

B		x4
C		x4
K		x1

STEP 8

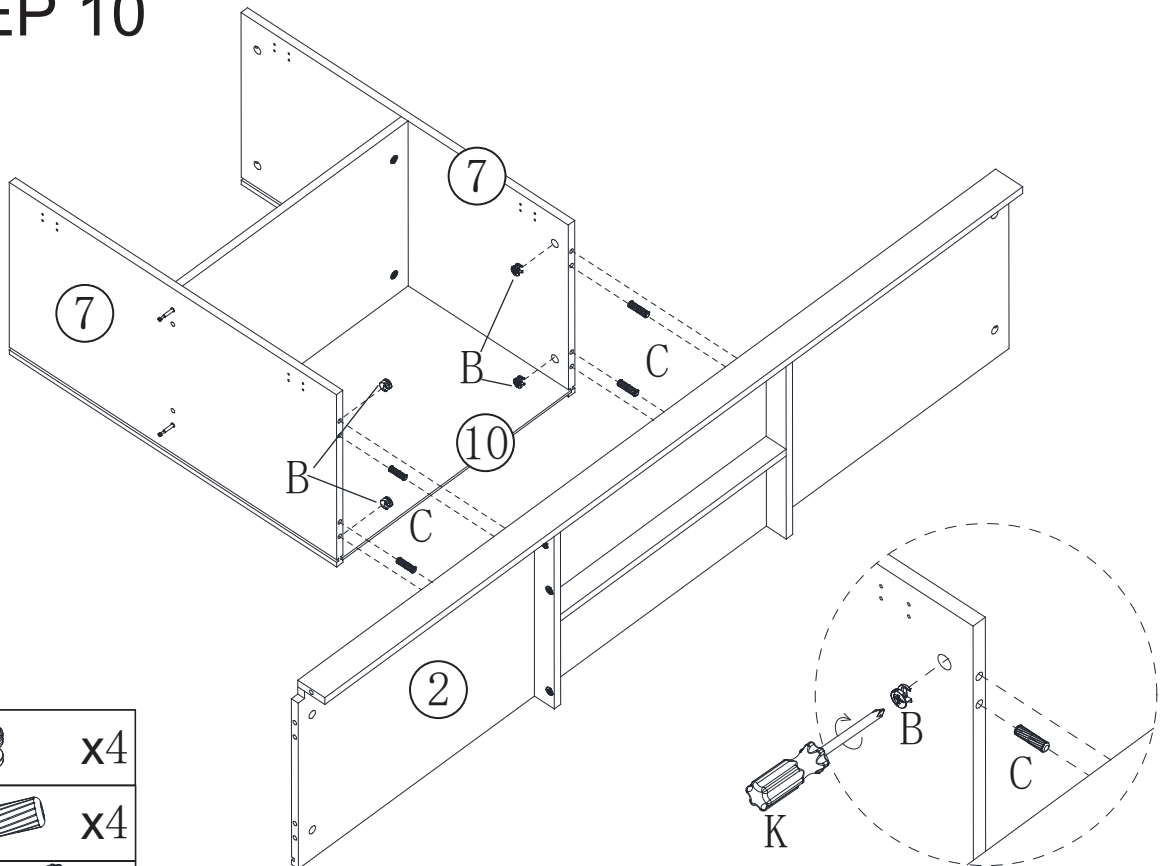




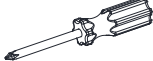
STEP 9



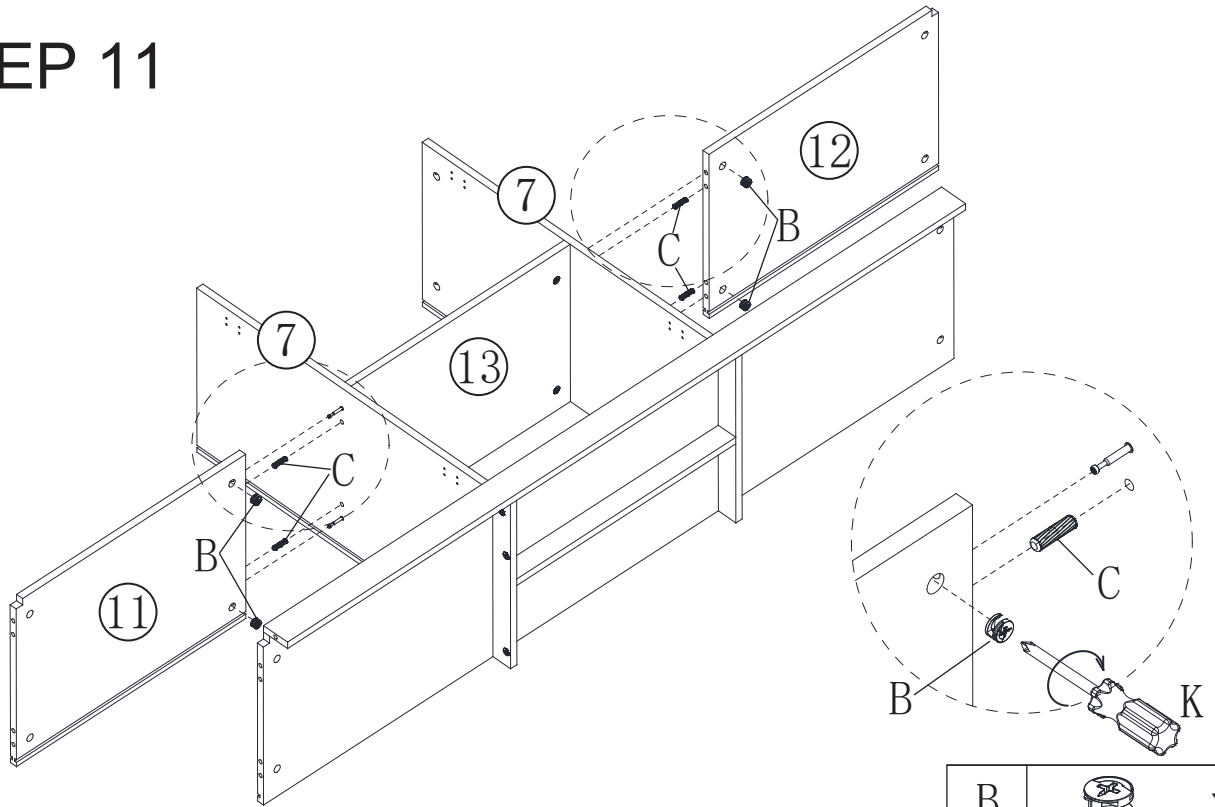
A		x4
K		x1




STEP 10



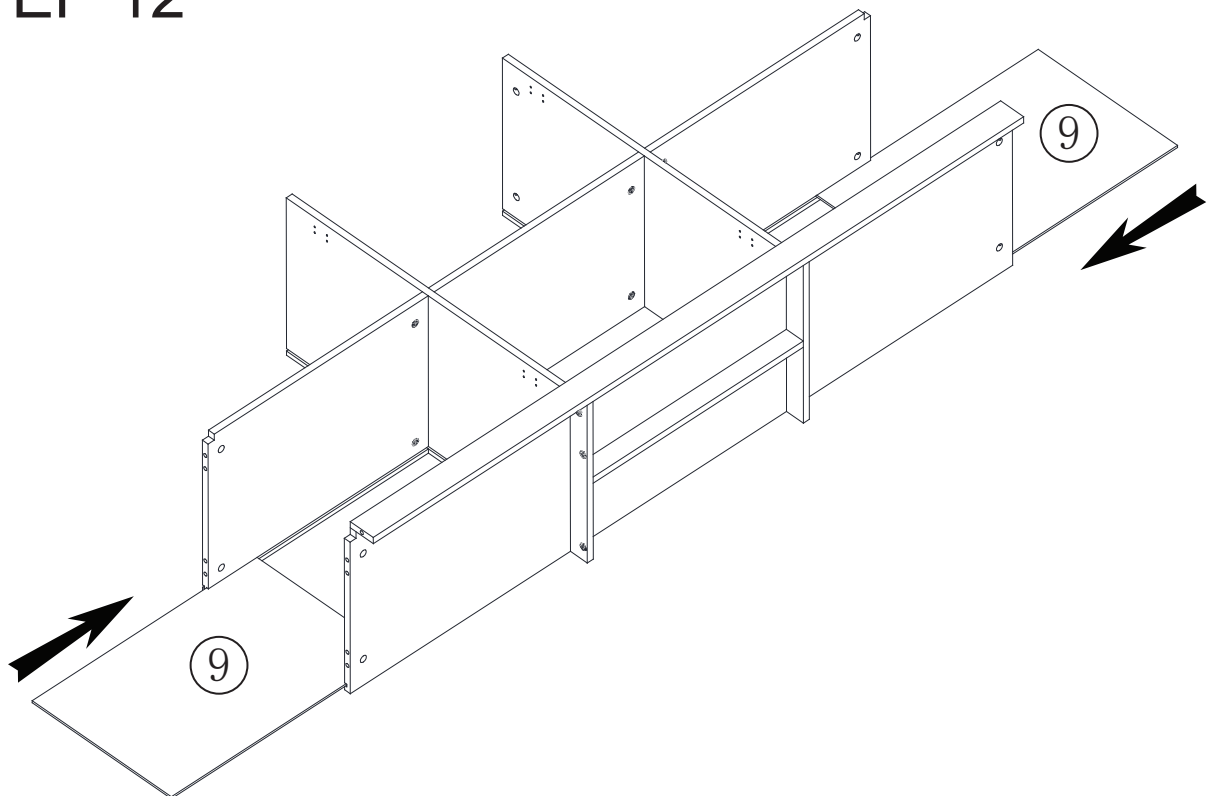
B		x4
C		x4
K		x1

STEP 11

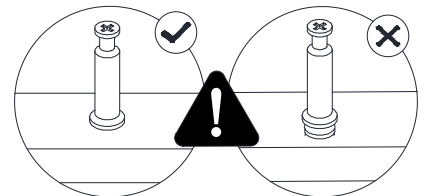
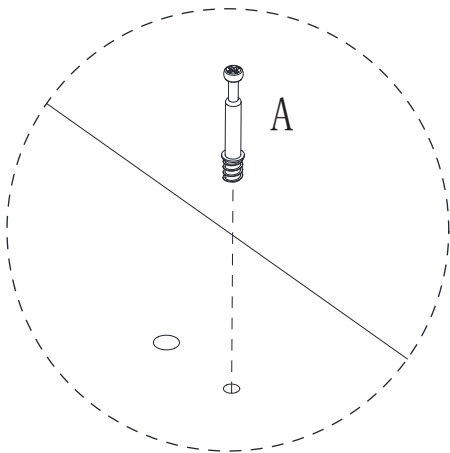
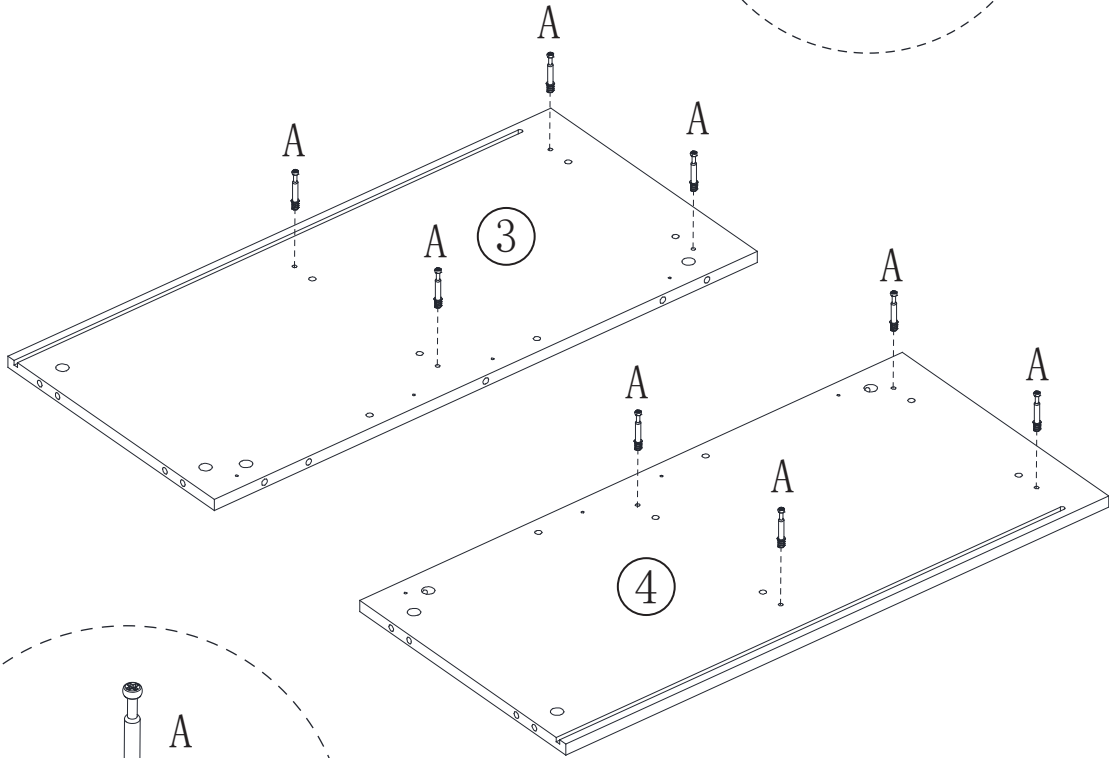
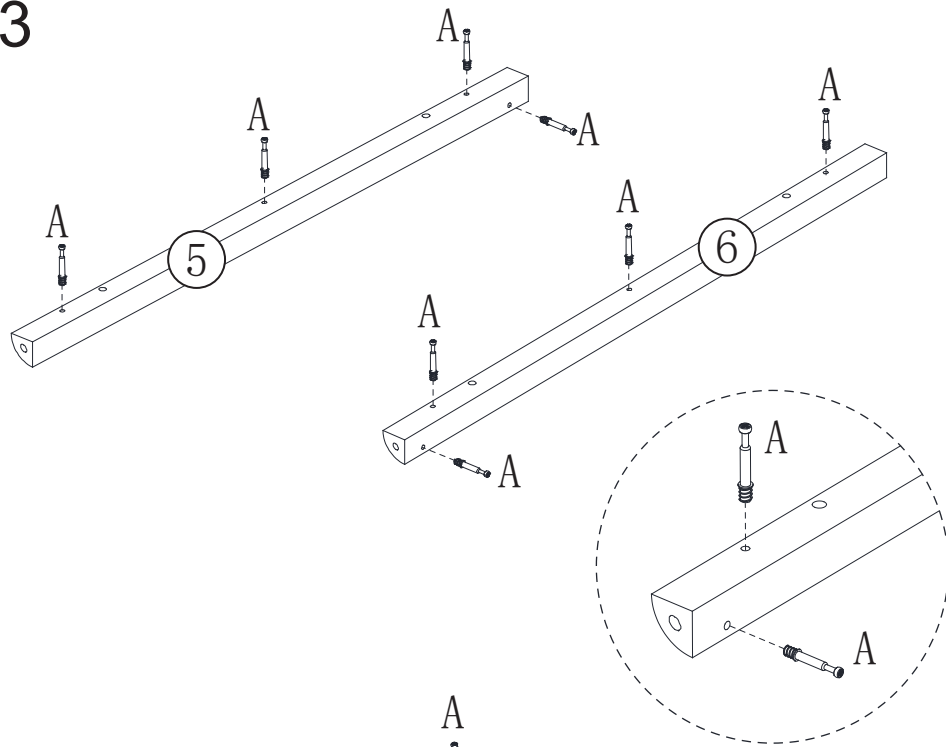



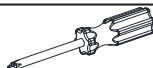
B		x4
C		x4
K		x1

STEP 12

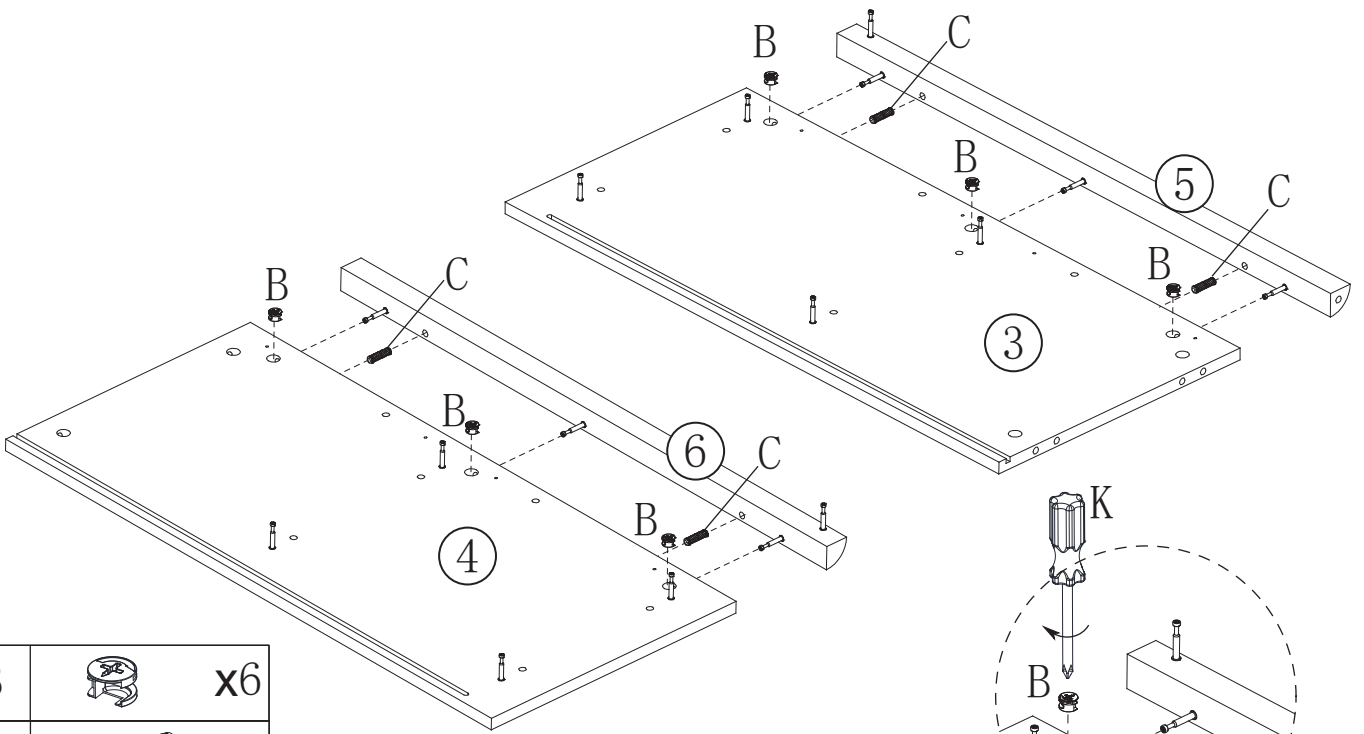




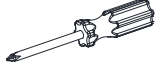
STEP 13

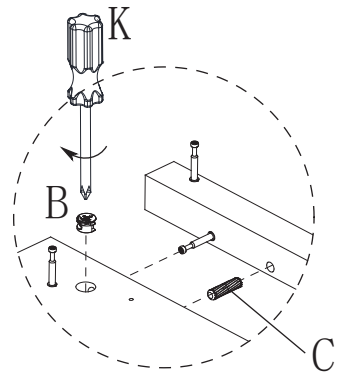


A	 x16
L	 x1

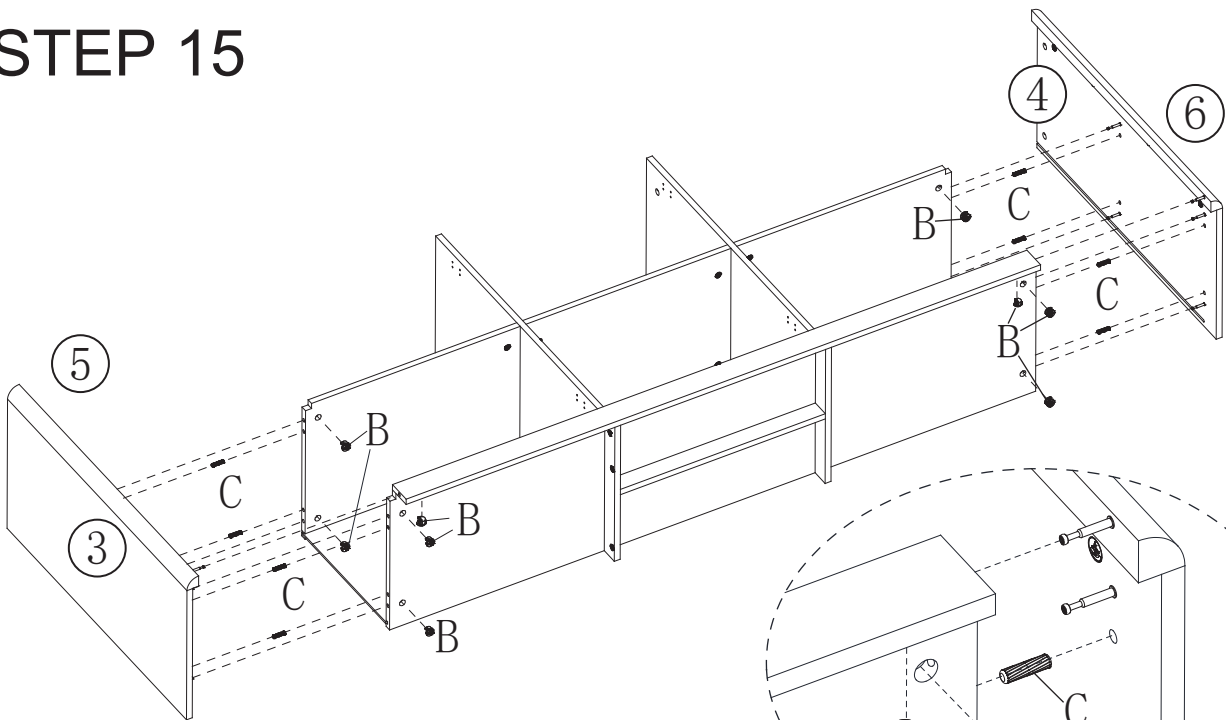
STEP 14



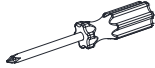


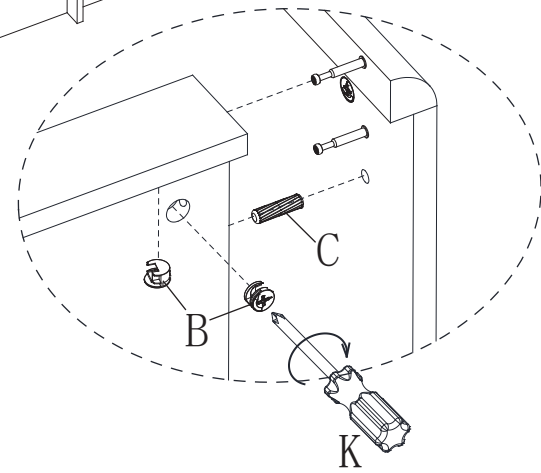
B		x6
C		x4
K		x1



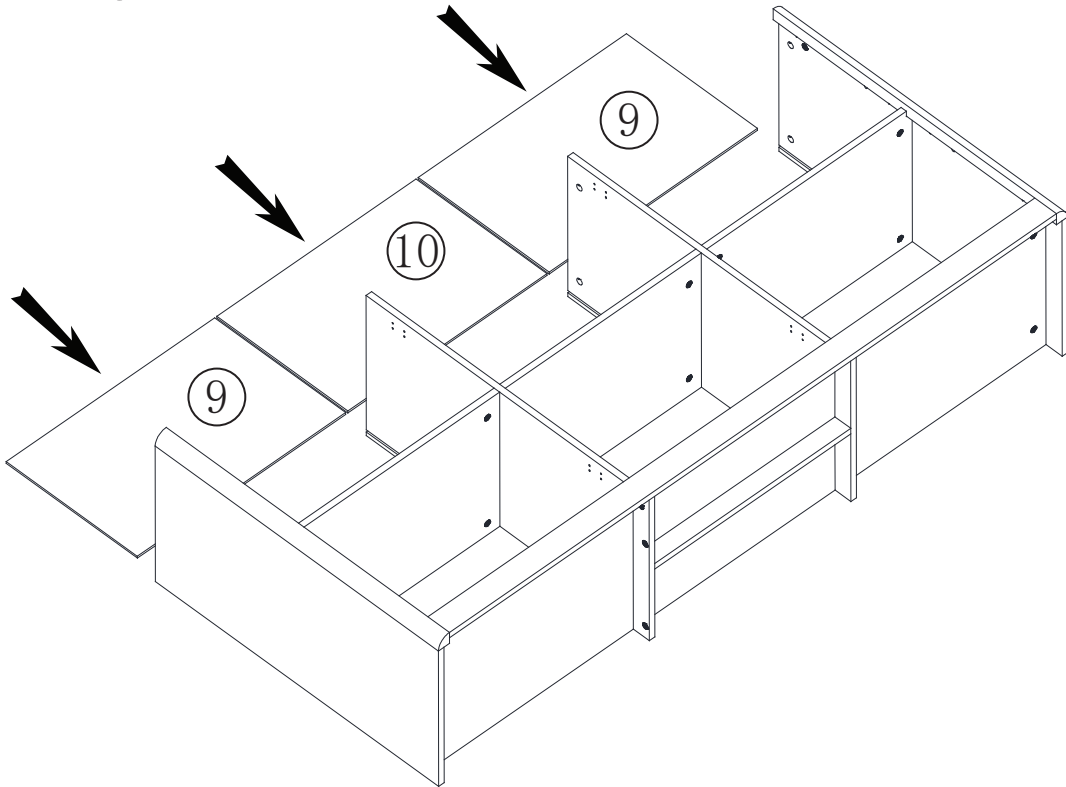
STEP 15



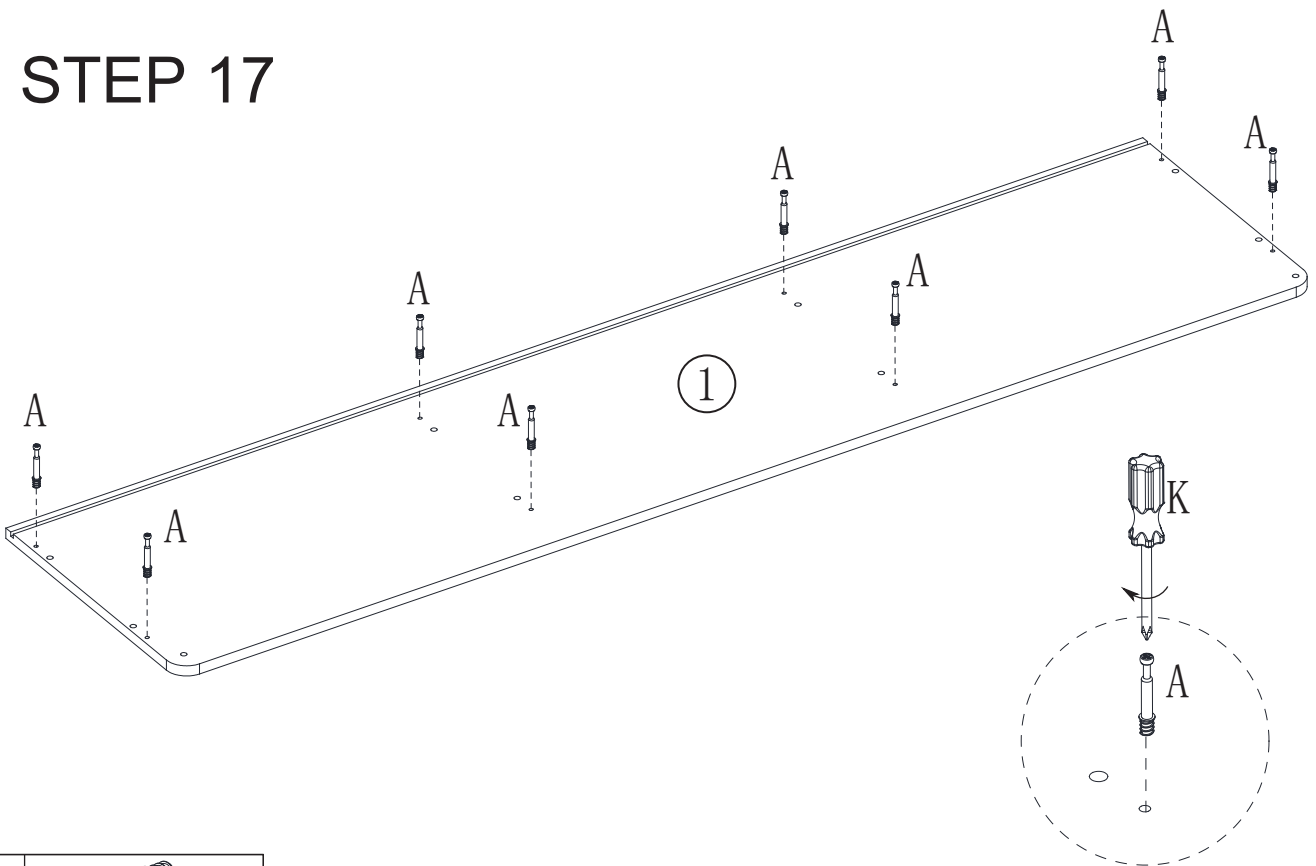
B		x10
C		x8
K		x1

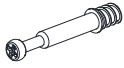
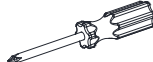


STEP 16

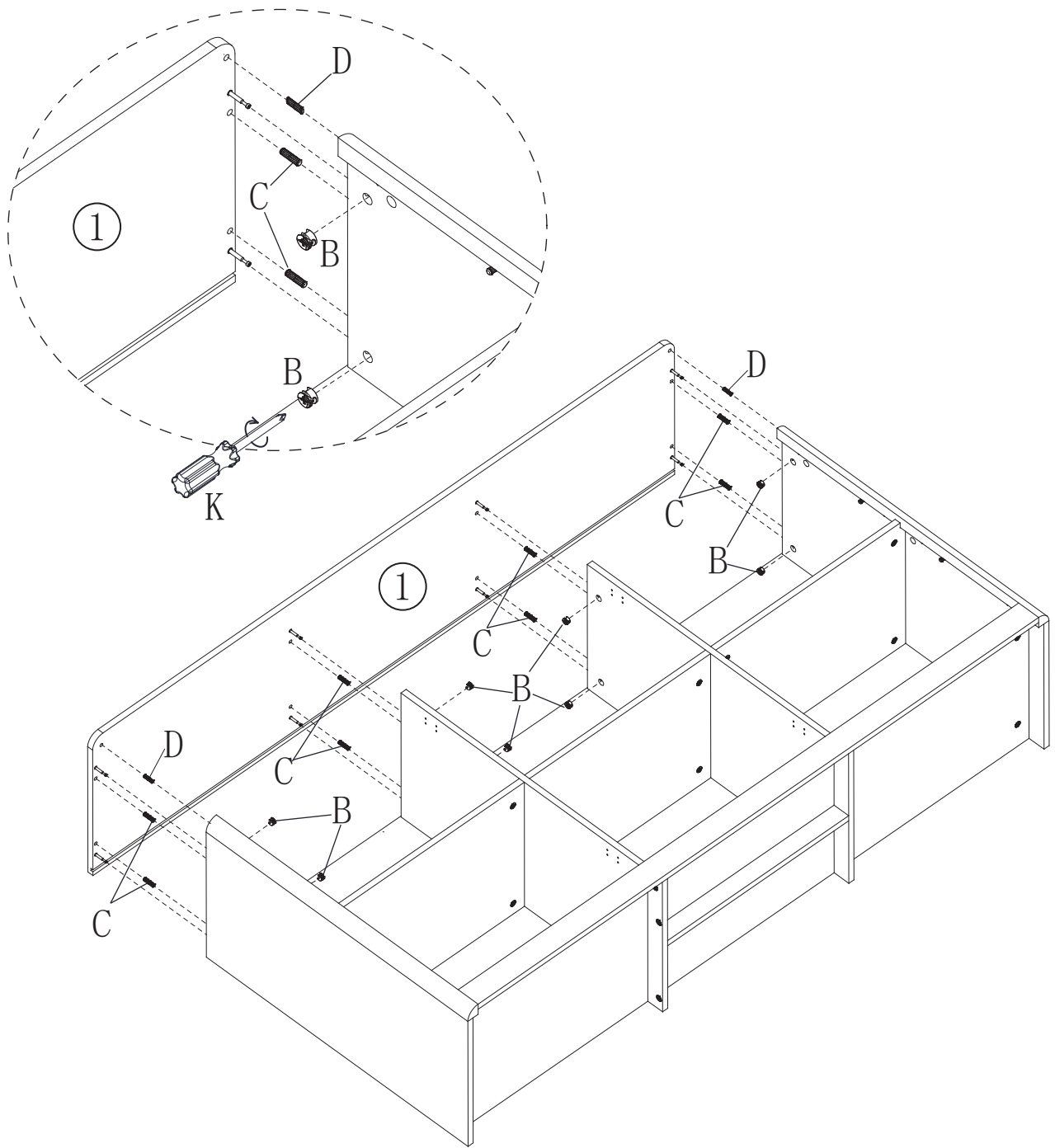





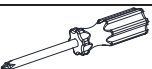
STEP 17



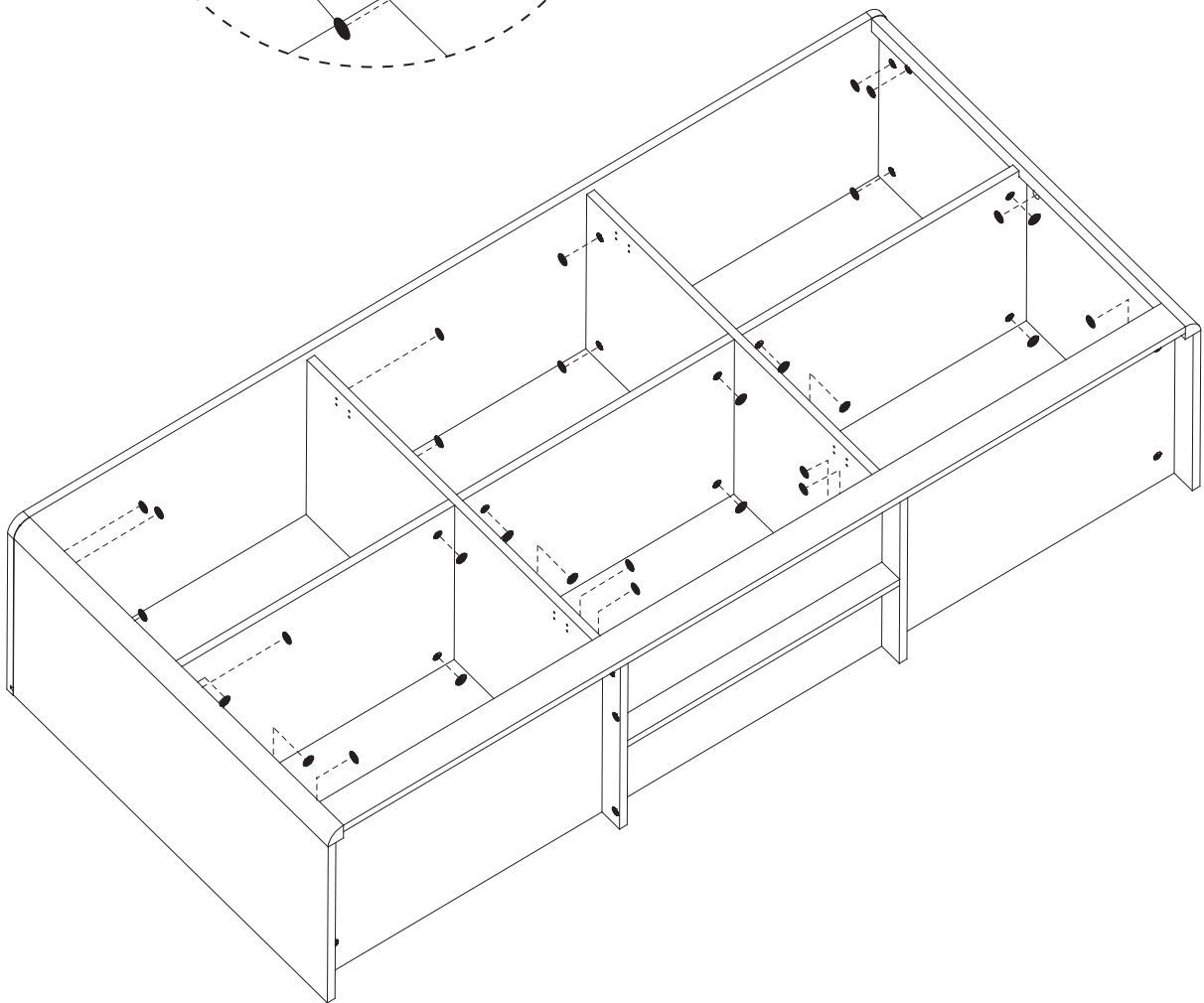
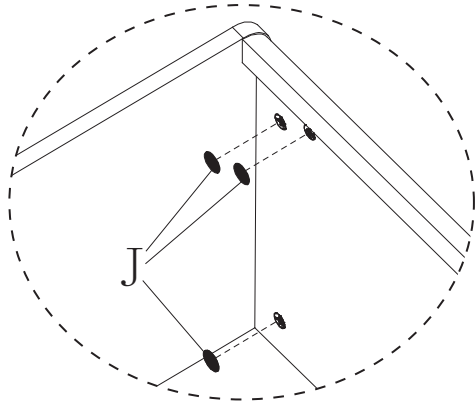
A		x8
K		x1

STEP 18



B		x8
C		x8
D		x2
K		x1

STEP 19

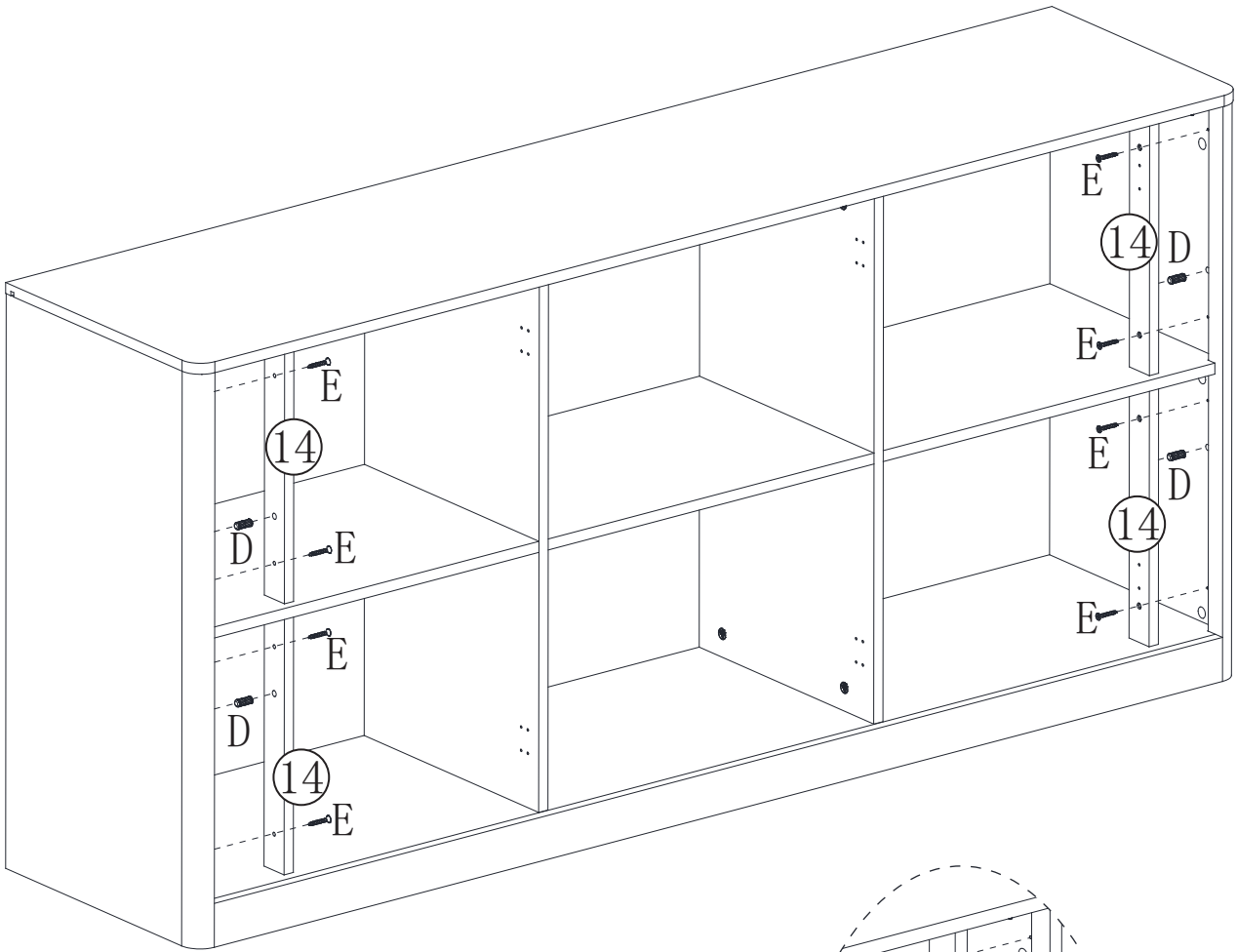


J

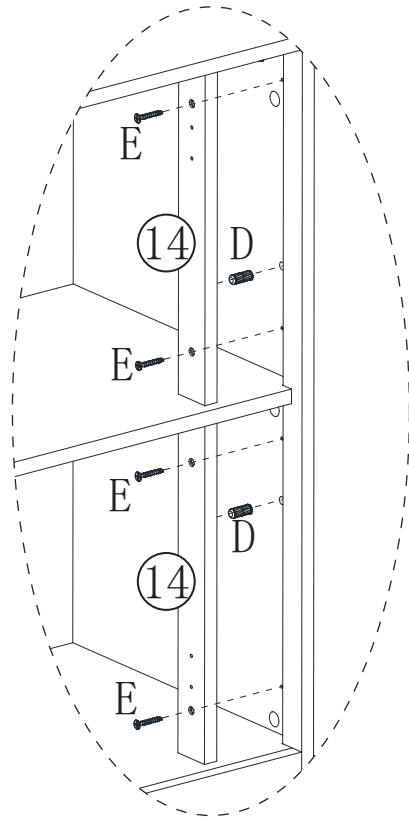




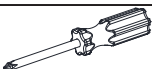
x30

STEP 20



Note the orientation of the "14" plate hinge holes up and down.



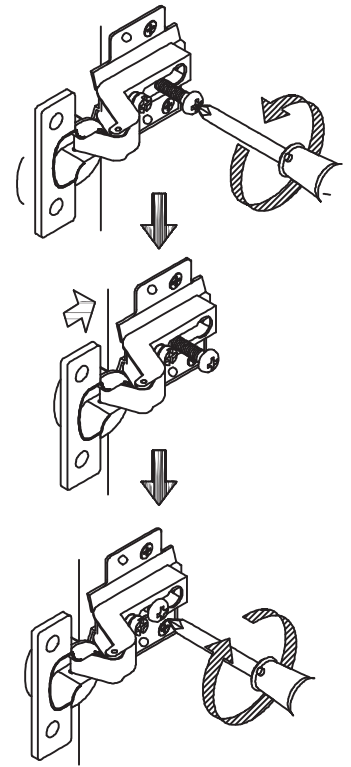
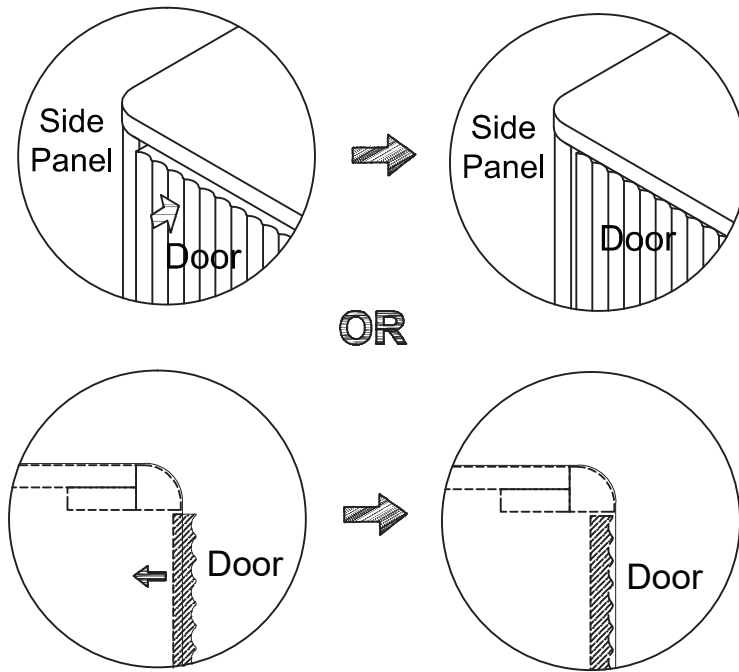
D		x4
E		x8
K		x1



If you encounter the following situation, please follow the steps to correct it.

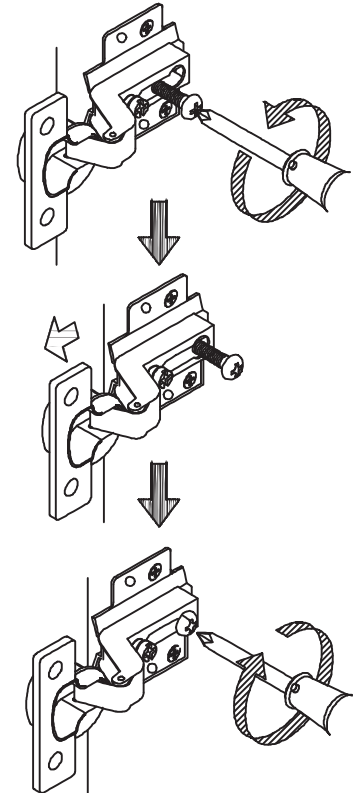
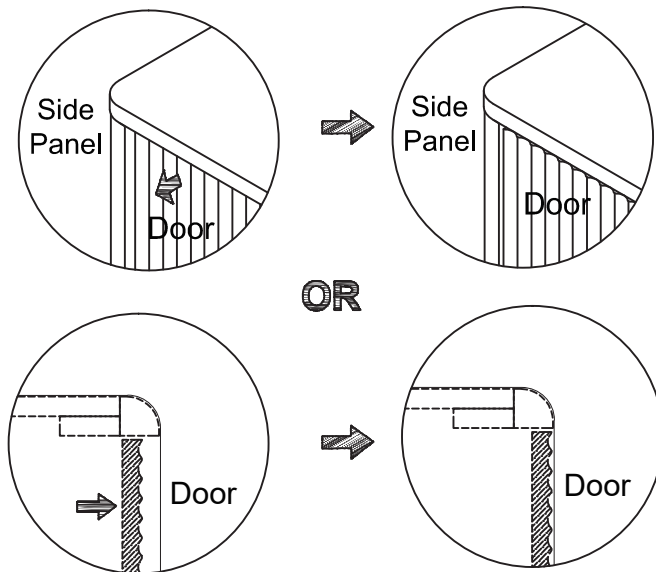
1. The function of the front screw is to adjust the size of the gap between the door and the side panel.
2. The function of the rear screw is to adjust the distance between the front and rear of the door.

11-A. When the door panel is higher than the side panel.



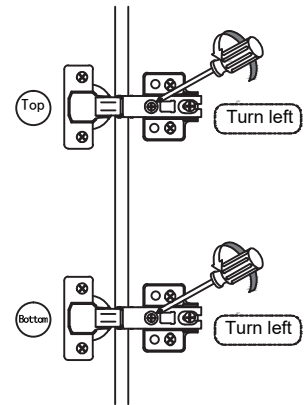
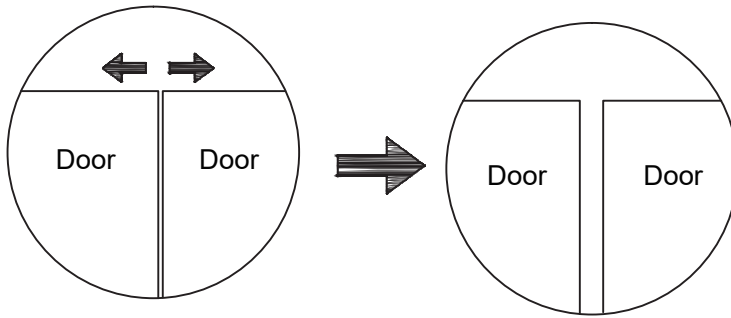
If the gap is too big between side panel and door or the door is over the edge of side panel, loose the back screw as shown, then move in the door with hinge and tighten the back screw as shown when the gap is just well.

11-B. When the door panel is lower than the side panel, an indentation occurs.



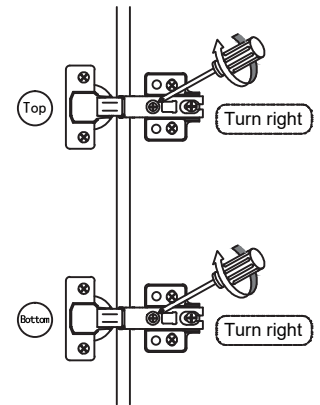
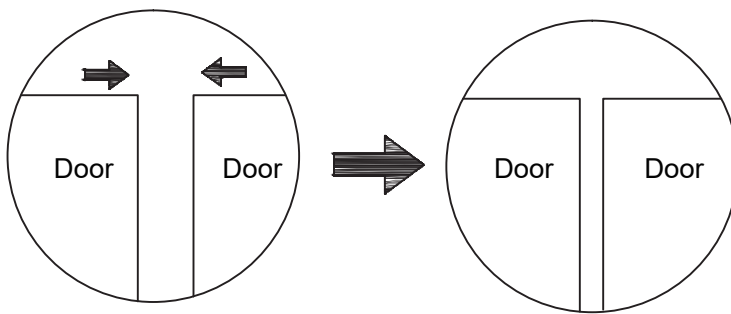
If the gap is too small between side panel and door or the door sank in side panel, loose the back screw as shown, then move out the door with hinge and tighten the back screw as shown when the gap is just well.

11-C



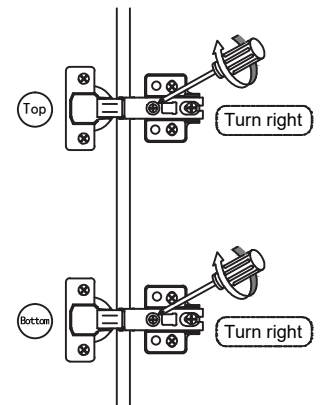
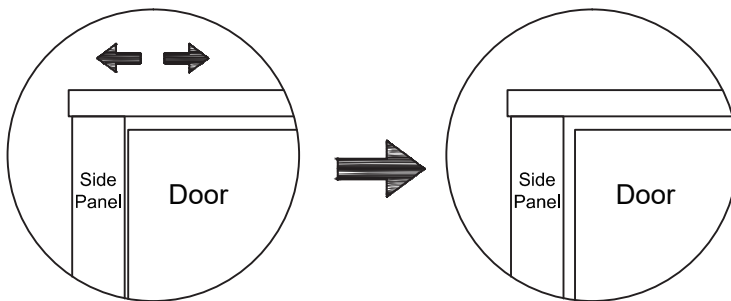
If the gap between the two doors is too small, follow the diagram.

11-D



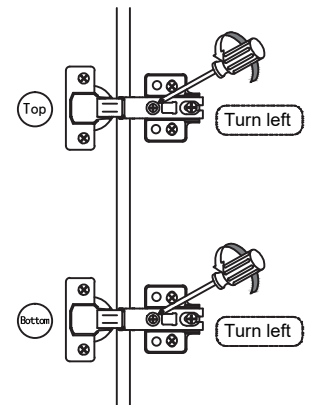
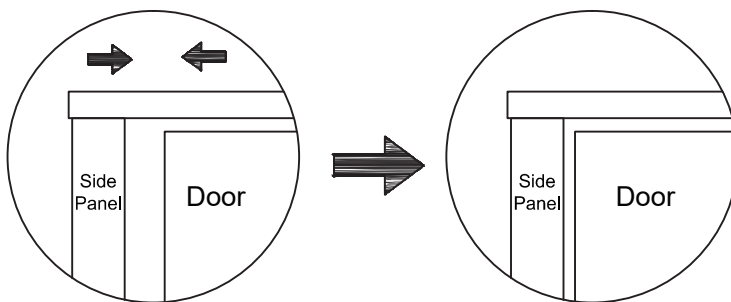
If the gap between the two doors is too large, follow the diagram.

11-E



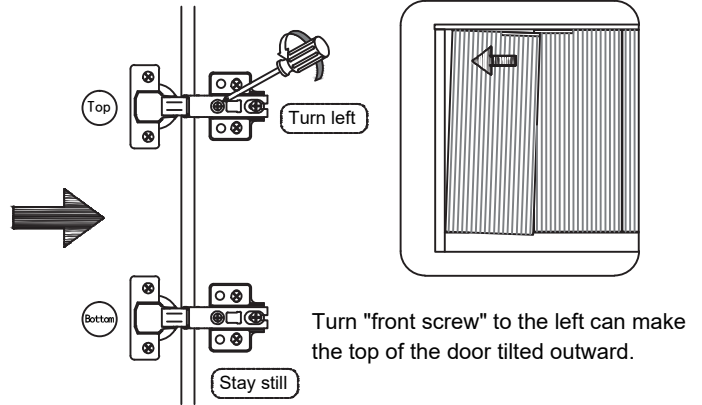
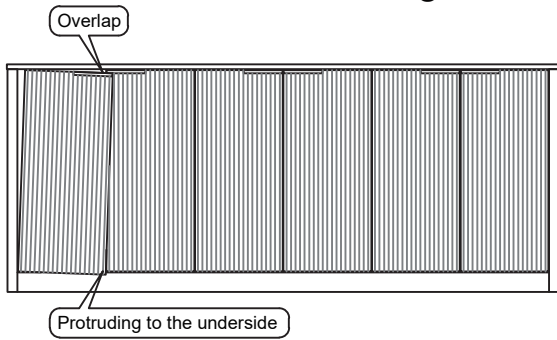
If the gap between the door and the side panel is too small, loose the front screw as shown.

11-F

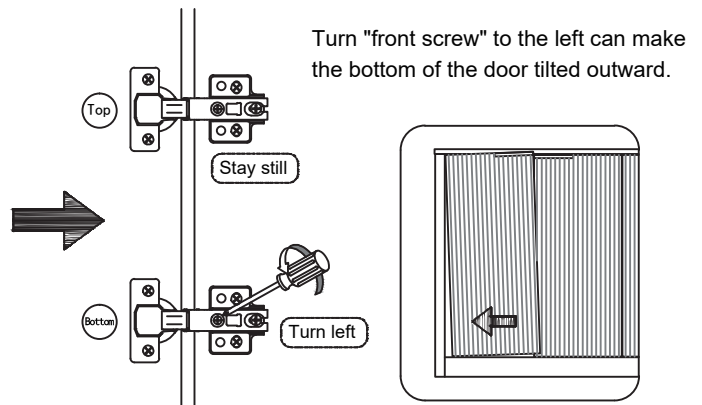
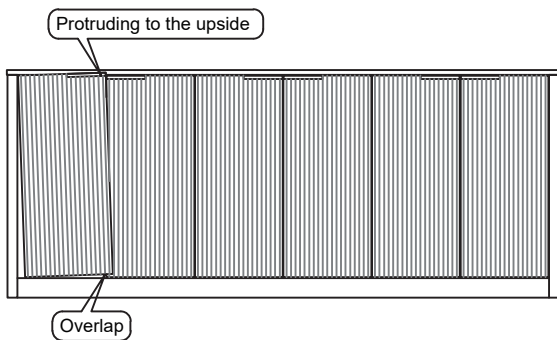


If the gap between the door and the side panel is too large, tighten the front screw as shown.

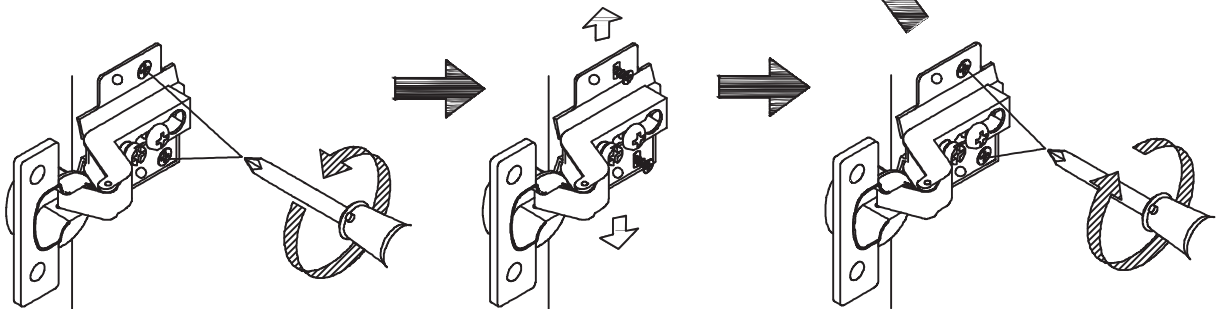
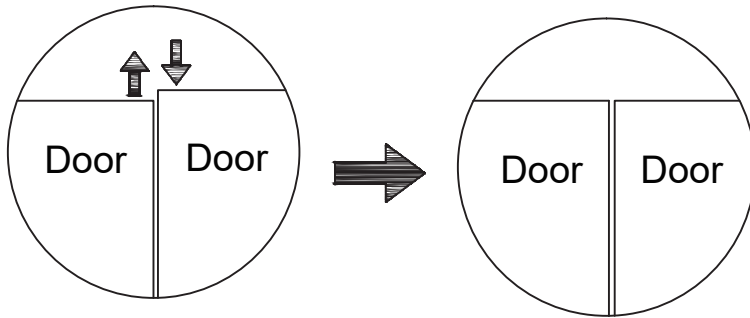
11-G. When door is leaning



11-H. When door is leaning

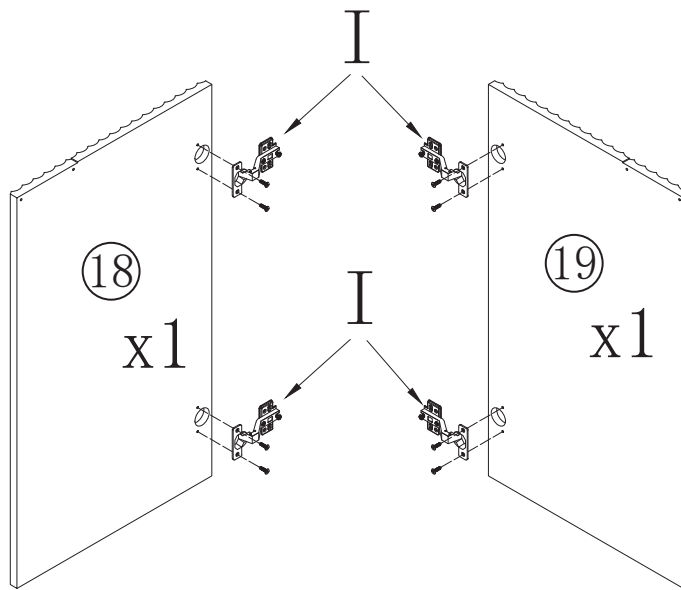



11-I. When the door is higher on top

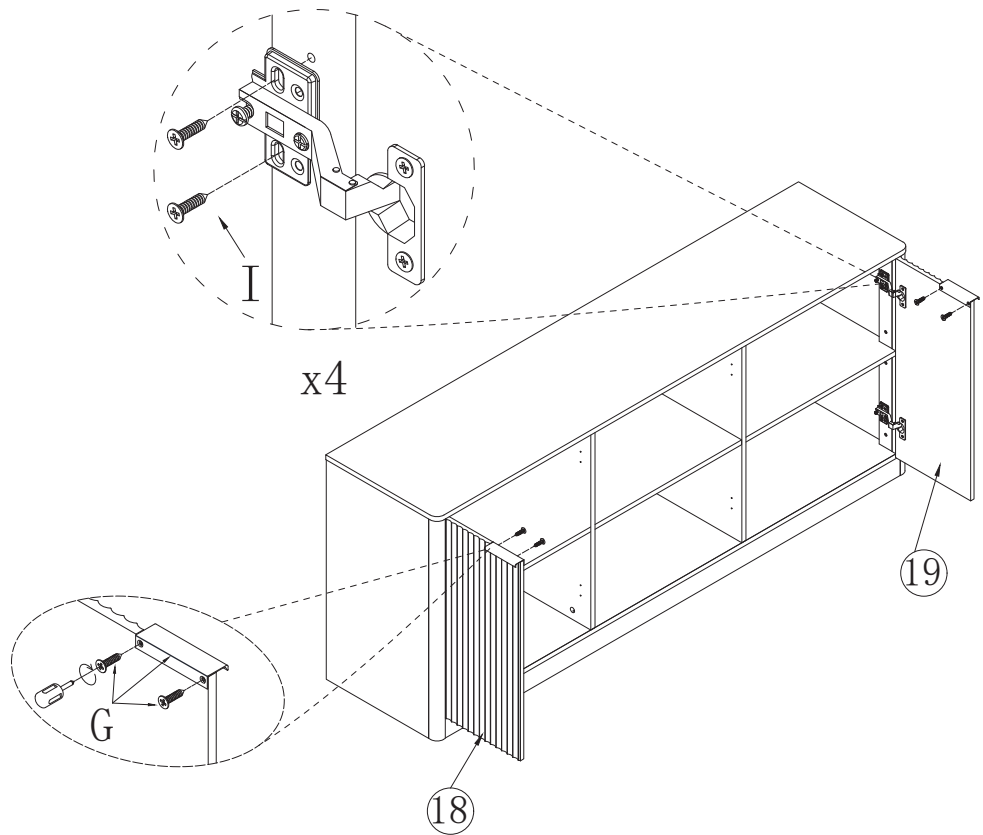




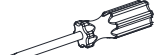
If the doors are not in same level, losse the back screws on wing, then adjust the door up and down, tighten the screws when both doors are in same level. Screw front two screws on wing when all are in place.

STEP 21



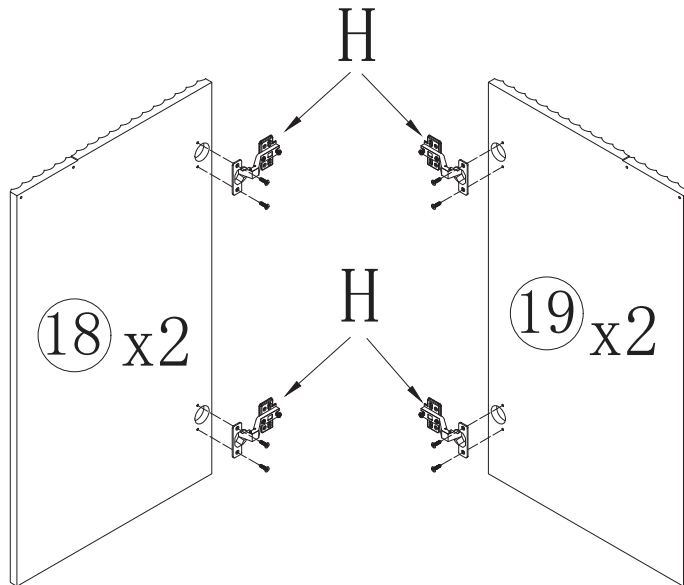
 Before installing the door panels, please study and read the following steps. For possible problems, we have given some suggestions to solve the problems you encounter.



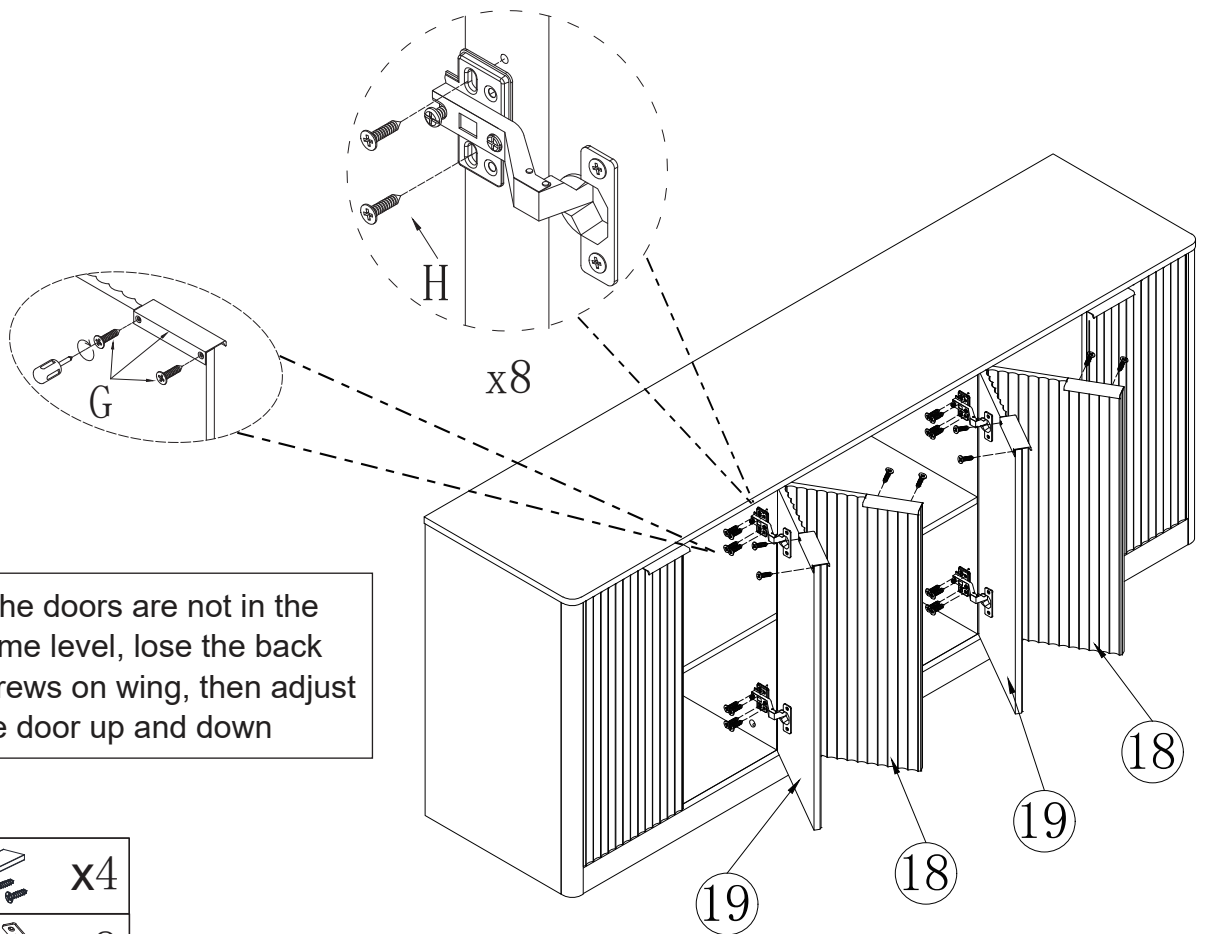
G		x2
I		x4
K		x1

The letter "I" hinge door is installed on both sides of the cabinet.

STEP 22



! Before installing the door panels, please study and read the following steps. For possible problems, we have given some suggestions to solve the problems you encounter.

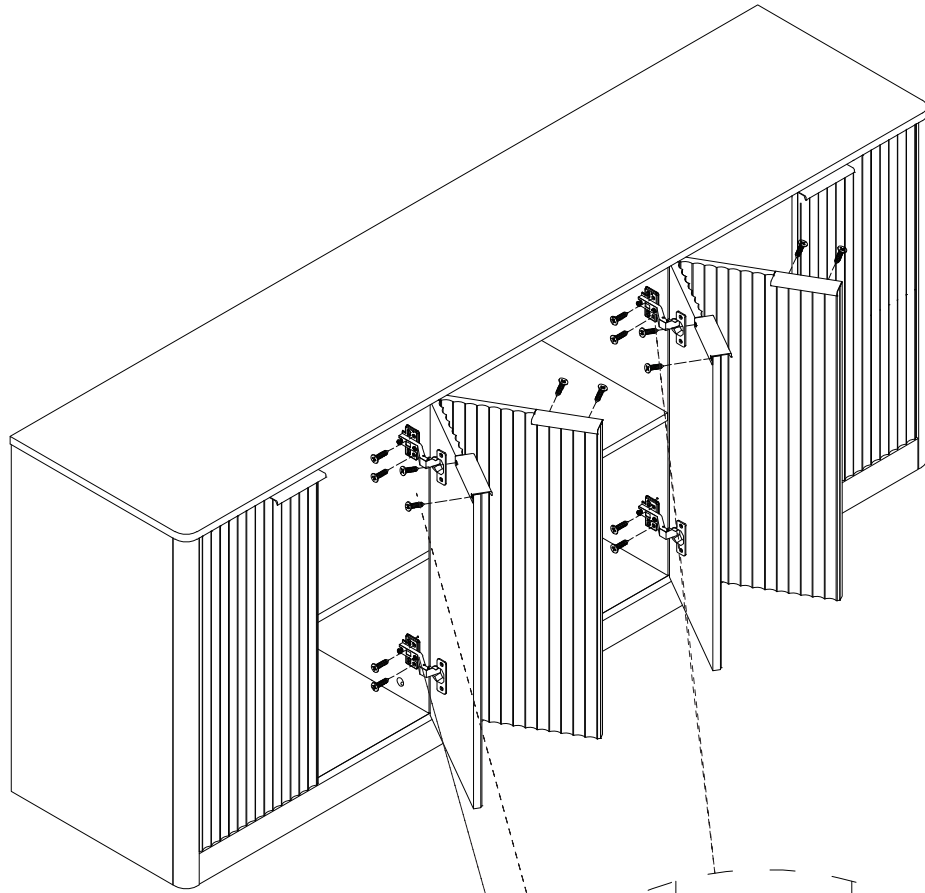


! If the doors are not in the same level, lose the back screws on wing, then adjust the door up and down

G		x4
H		x8
K		x1

The letter "H" hinge door is installed in the middle of the cabinet.

STEP 23



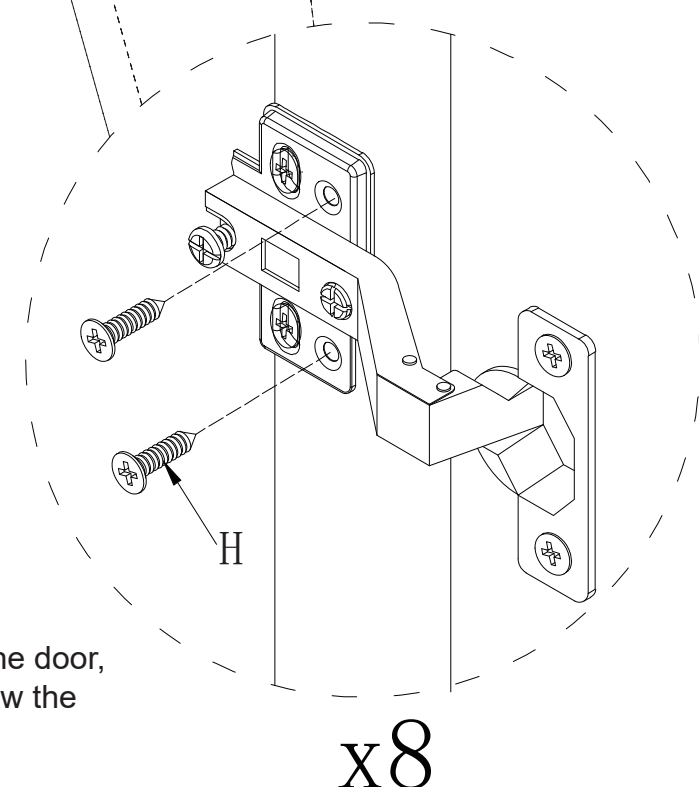
	<p>Tighten the screws when both doors are in same level. Screw front two screws on wing when all are in place</p>
--	---

Once the door panel is adjusted, tighten the screws on the "I" hinge

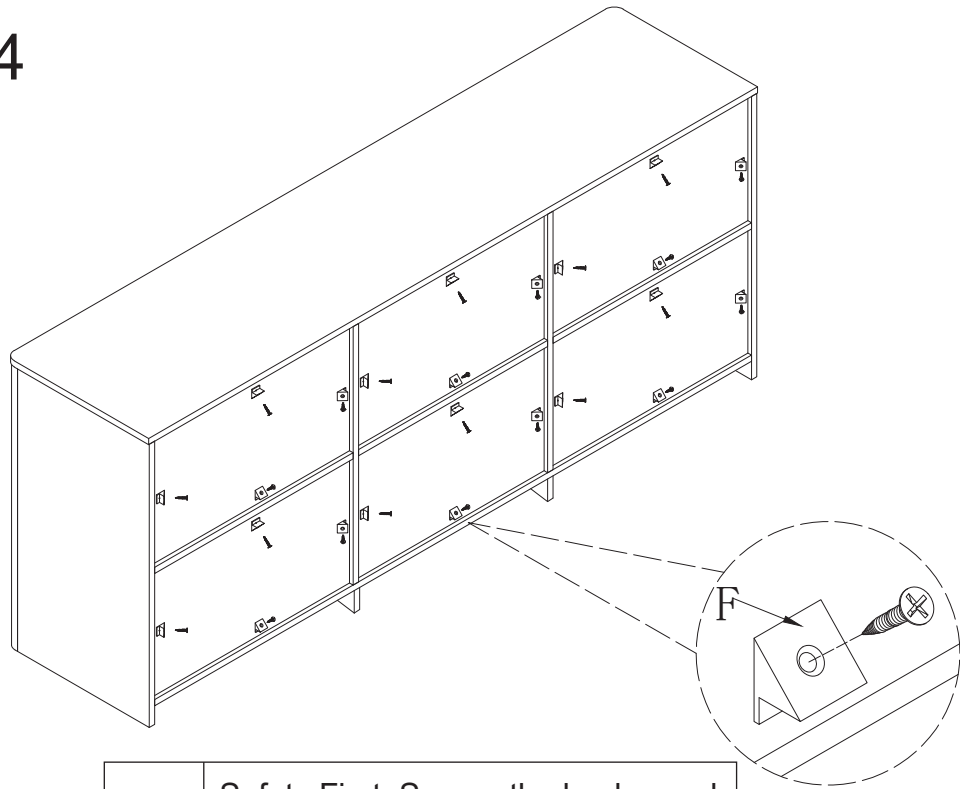
NOTE:


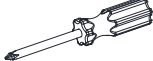
If there is a large gap in the installation of the door, you can return to page 18 or page 19 to view the installation video and installation tutorial.


If it doesn't work after checking the installation tutorial, you can contact our after-sales email via **vipservice2023@yeah.net** and we will have someone to serve you.



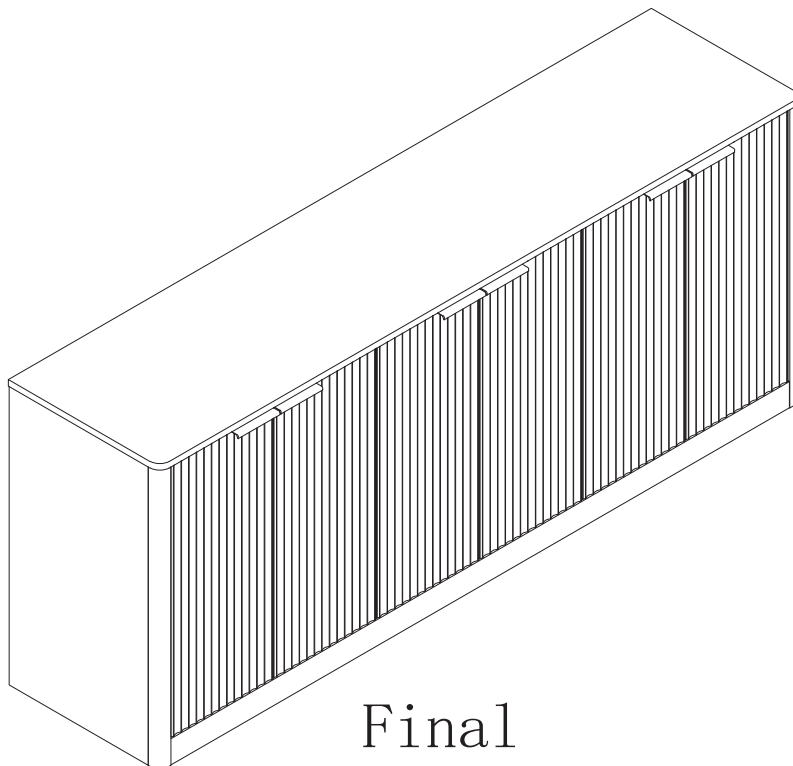
STEP 24



F	 x24
K	 x1

 **Safety First: Secure the back panel with all provided screws. Missing screws can cause instability and potential injury.**

Fixed Rear Side



Final