

**Loretta**

MODEL #: 241  
66.5" x 36" x 27"

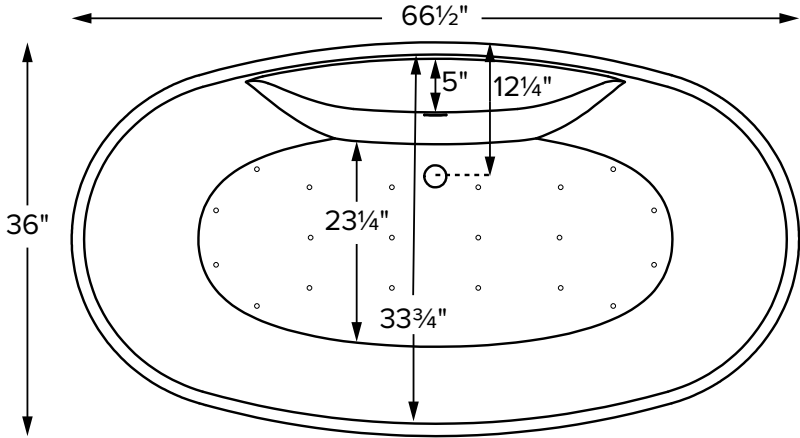
GENERAL SPECIFICATIONS

- Material** - Acrylic
- Installation** - Freestanding
- Soaker Weight** - 125 lbs / 57 kg
- Maximum Fill** - 80 gal to overflow

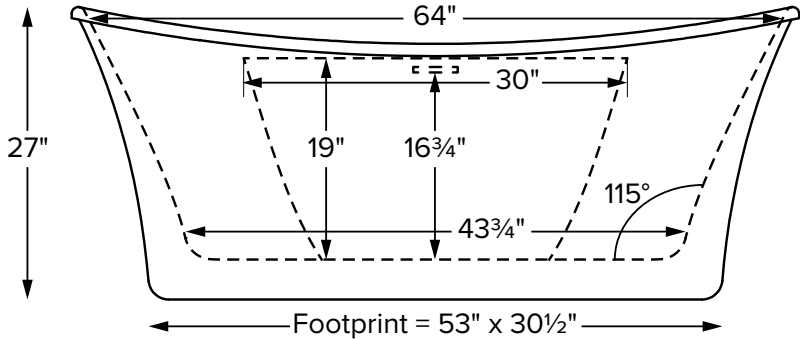
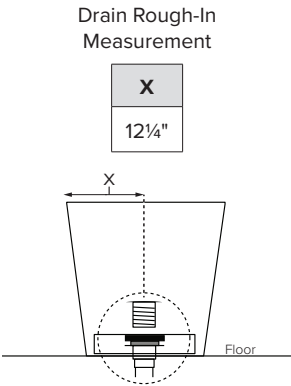
*NOTE: Filling this tub to the maximum may require an above average size or dedicated water heater.*



Features an integrated slotted overflow



The Loretta features a flat deck on the drain side for mounting faucetry.  
Shown with Air Massage Package.



ELECTRICAL COMPONENTS & SPECIFICATIONS		
Required Electrical Service - 110 Volt		
Hydrotherapy Package	Components Included	GFCI
Air Massage	heated blower	1-15 amp
Air Massage Elite	heated blower, chromatherapy	1-15 amp

Electrical requirements may change with the addition of optional therapy components.  
See specific option details or installation information.  
CSA Certified C/US; ANSI Z124.1 and ANSI 112.19.7

- IMPORTANT ORDERING & INSTALLATION INFORMATION:**
- Before ordering or installing, please consider future access to equipment.
  - Comes equipped with an access panel on the drain side for installation of waste and overflow.
  - Air baths require job site preparations for remote mounting the blower.
  - Hydrotherapy equipment may ship loose for remote installation depending on tub model. See package content on the following page for details.
  - MTI will eliminate the access panel upon request. Installation will be more difficult.
  - Radiance placed on floor locations will affect placement of air jets.

See the Installation & Operation Manual for more details.  
MTI's Customer Service: Monday-Friday 8am-6pm EST  
**800-783-8827** or [service@mtibaths.com](mailto:service@mtibaths.com)

- Before discarding tub crate, check for accessories that may be packaged inside.
- All product measurements are ±1/2".
- Specifications and configurations are subject to change without notice.
- Measurements herein supersede all others published prior to publication date below.

