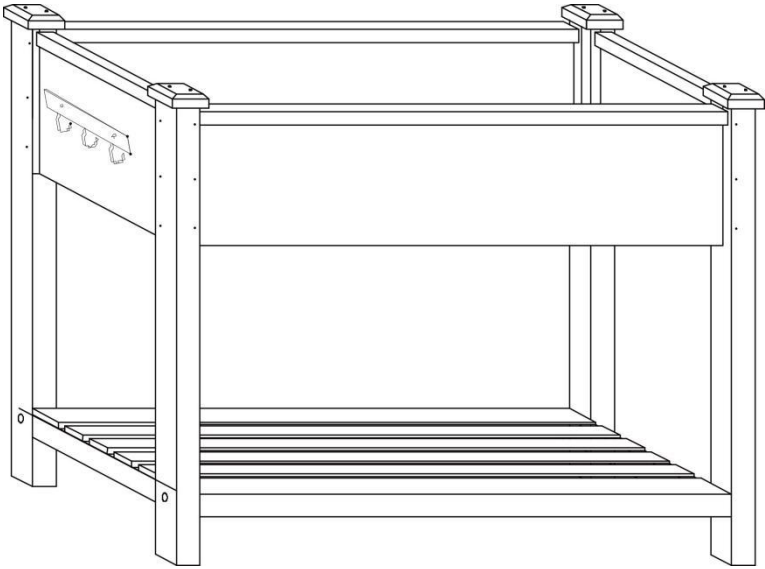


# INSTRUCTION FOR WOODEN PLANTER

We continue to be committed to provide you tools with competitive price. "Save Half", "Half Price" or any other similar expressions used by us only represents an estimate of savings you might benefit from buying certain tools with us compared to the major top brands and does not necessarily mean to cover all categories of tools offered by us. You are kindly reminded to verify carefully when you are placing an order with us if you are actually saving half in comparison with the top major brands.



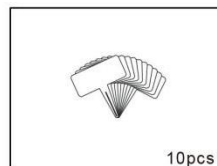
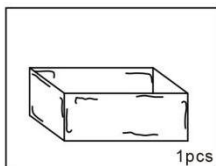
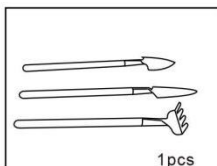
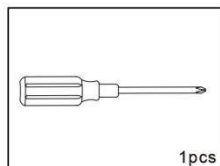
**⚠ NOTICE Please retain instructions for future needs.**

- Do not stand on or use any parts of this item as a step ladder.
- Fasten screws loosely during assembly. Do not firmly tighten the screws until the item is completely assembled.
- Double-check all the bolts, screws, and knobs have been firmly tightened before use.
- To prevent items fall apart, please regularly check if all bolts, screws, and knobs are secure.
- Do not use or store this item in the proximity of open flame or flammable/combustible chemicals.
- Be aware that some parts are heavy and have sharp edges when assembling and using.
- Do not use this item in a way inconsistent with the manufacturer's instructions as this could void the product warranty.
- This item is made of wood and may expand due to moisture.
- It is more convenient for two people to install it together.

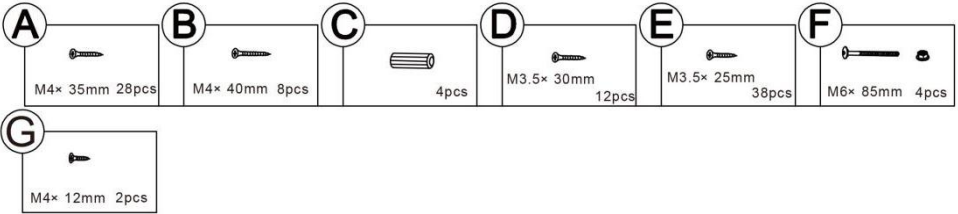
## SPECIFICATIONS

Model	HL8676
Product Size	86.8×46.6×76cm
Load Capacity	75Kg
Load Capacity Of Shelf	20Kg
Load Capacity Of Hanger	5Kg
Net Weight	10Kg
Gross Weight	11Kg
Color	Natural

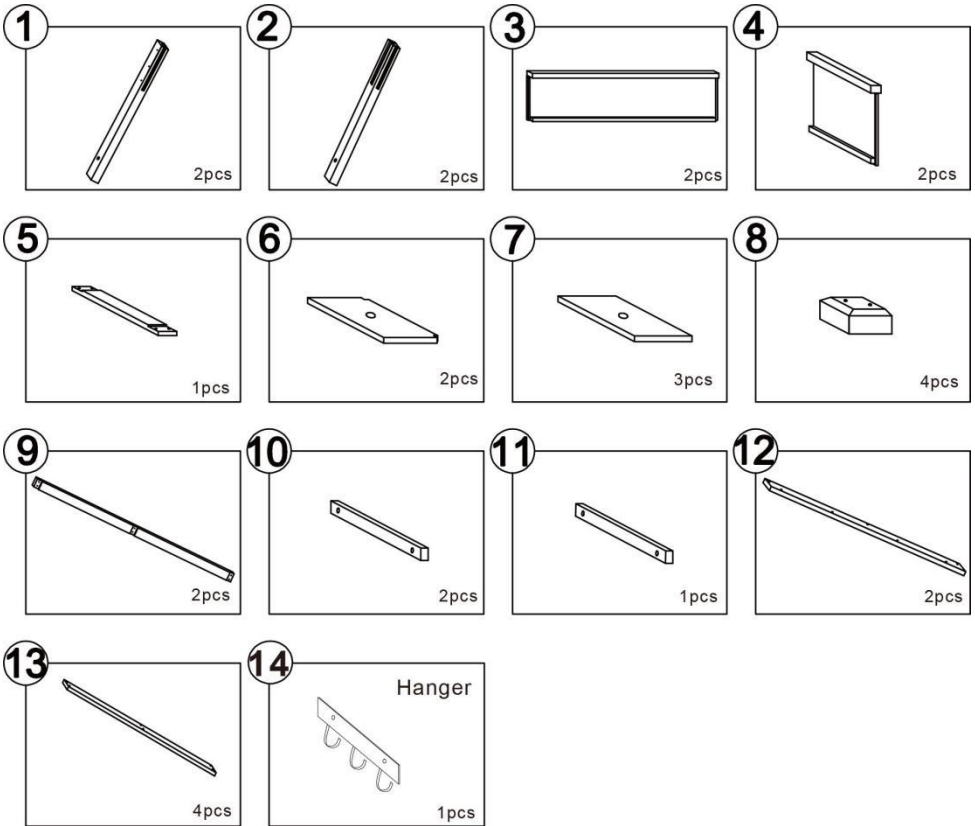
## ACCESSORY



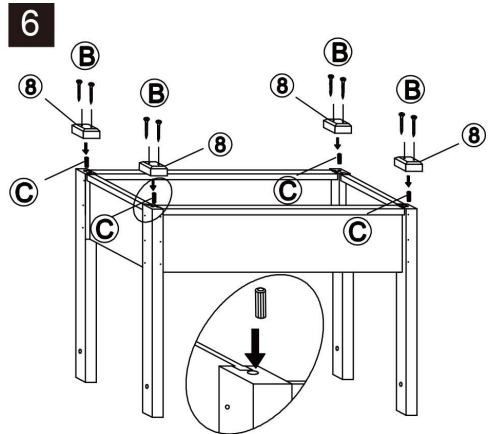
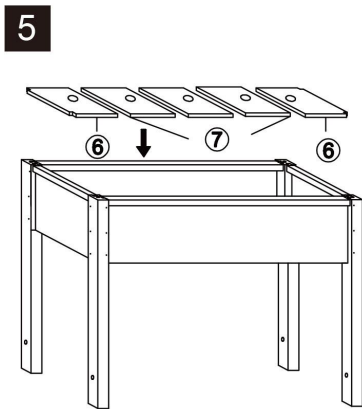
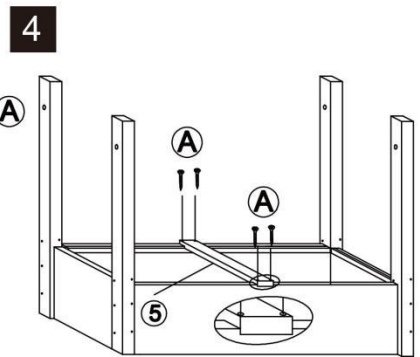
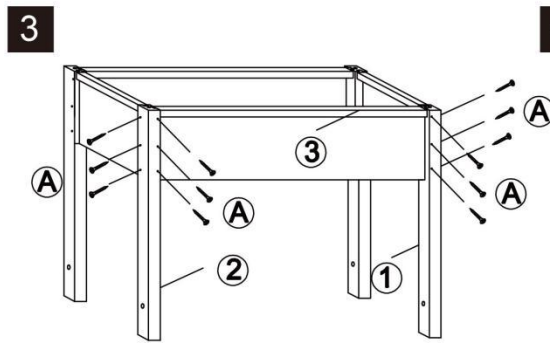
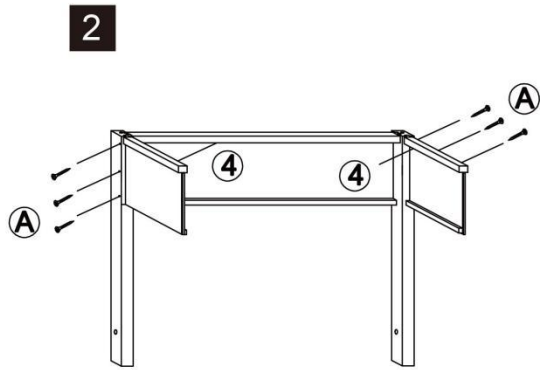
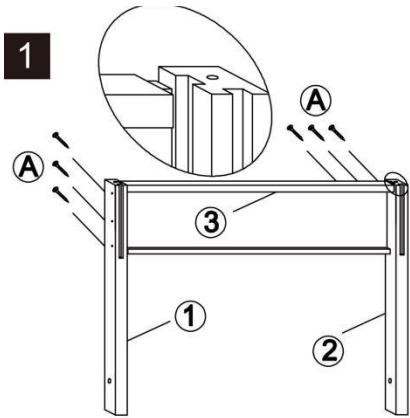
# HARDWARE



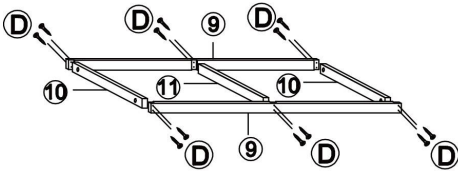
# PARTS



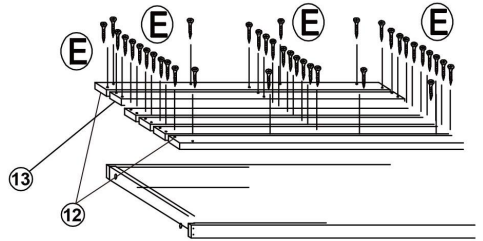
# PRODUCT ASSEMBLY



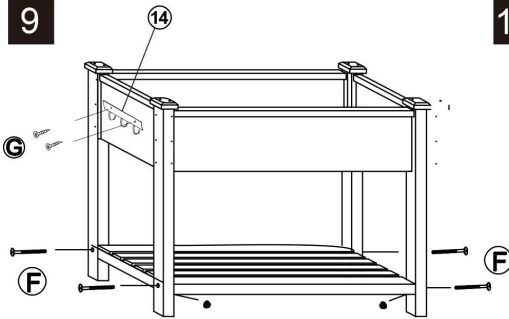
7



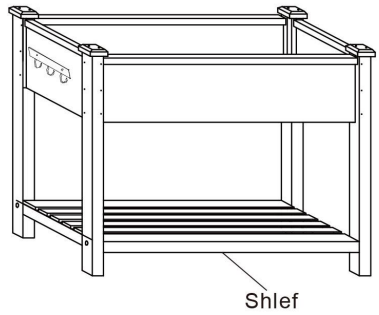
8



9



10



**!** Notice: You can install the 14 part where you want on the planter.